



US00D740992S

(12) **United States Design Patent**
Orozco

(10) **Patent No.:** **US D740,992 S**
(45) **Date of Patent:** **** Oct. 13, 2015**

(54) **LIGHTING FIXTURE**

(71) Applicant: **Hinkley Lighting, Inc.**, Avon Lake, OH (US)

(72) Inventor: **Sergio Orozco**, New York, NY (US)

(73) Assignee: **Hinkley Lighting, Inc.**, Avon Lake, OH (US)

(**) Term: **14 Years**

(21) Appl. No.: **29/479,727**

(22) Filed: **Jan. 17, 2014**

(51) **LOC (10) Cl.** **26-03**

(52) **U.S. Cl.**
USPC **D26/85; D26/67; D26/87**

(58) **Field of Classification Search**
USPC **D26/67, 68, 72, 85, 87; 362/147, 431, 362/432**

See application file for complete search history.

(56) **References Cited**

U.S. PATENT DOCUMENTS

D208,659 S *	9/1967	Koziol	D26/87
D208,941 S *	10/1967	Koziol	D26/67
D221,982 S *	9/1971	Little	D26/67
D225,676 S *	12/1972	Bankert	D26/24
D227,925 S *	7/1973	Husby et al.	D26/67
D427,350 S *	6/2000	Landefeld	D26/67
D500,161 S *	12/2004	Bucher et al.	D26/71
D509,614 S *	9/2005	Mandell et al.	D26/67
D531,340 S *	10/2006	Victor	D26/67
D535,427 S *	1/2007	Chandler	D26/87
D539,462 S *	3/2007	Dolan	D26/87

(Continued)

Primary Examiner — Clare E Hefflin

(74) *Attorney, Agent, or Firm* — Pearne & Gordon LLP

(57) **CLAIM**

The ornamental design for a lighting fixture, as shown and described.

DESCRIPTION

FIG. 1 is a top perspective view of the first embodiment of the lighting fixture.

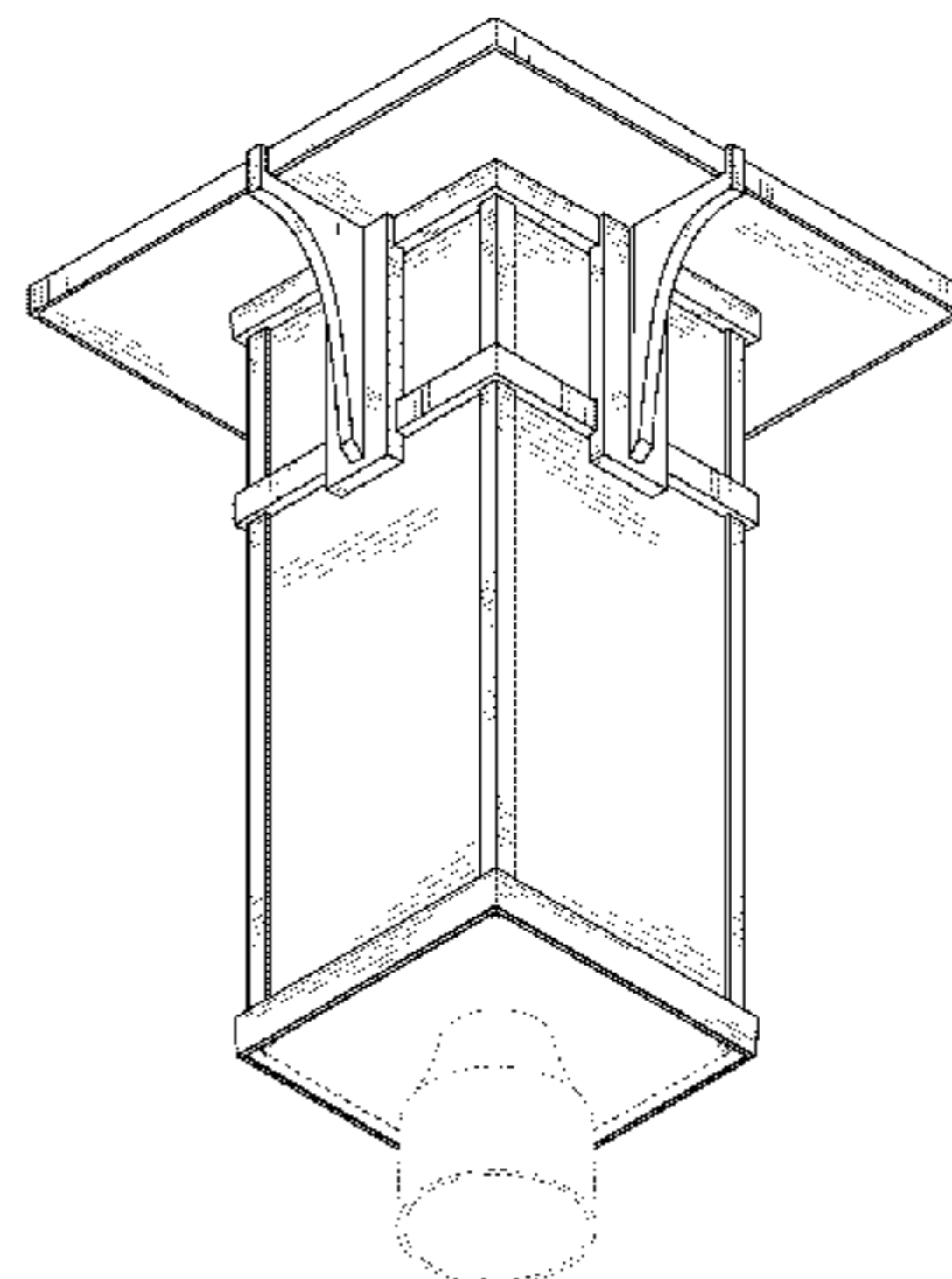


FIG. 2 is a bottom perspective view of the first embodiment of the lighting fixture.

FIG. 3 is a front view of the first embodiment of the lighting fixture.

FIG. 4 is a rear view of the first embodiment of the lighting fixture.

FIG. 5 is a left side view of the first embodiment of the lighting fixture.

FIG. 6 is a top view of the first embodiment of the lighting fixture.

FIG. 7 is a bottom view of the first embodiment of the lighting fixture.

FIG. 8 is a top perspective view of the second embodiment of the lighting fixture.

FIG. 9 is a bottom perspective view of the second embodiment of the lighting fixture.

FIG. 10 is a front view of the second embodiment of the lighting fixture.

FIG. 11 is a right side view of the second embodiment of the lighting fixture.

FIG. 12 is a top view of the second embodiment of the lighting fixture.

FIG. 13 is a bottom view of the second embodiment of the lighting fixture.

FIG. 14 is a top perspective view of the third embodiment of the lighting fixture.

FIG. 15 is a bottom perspective view of the third embodiment of the lighting fixture.

FIG. 16 is a front view of the third embodiment of the lighting fixture.

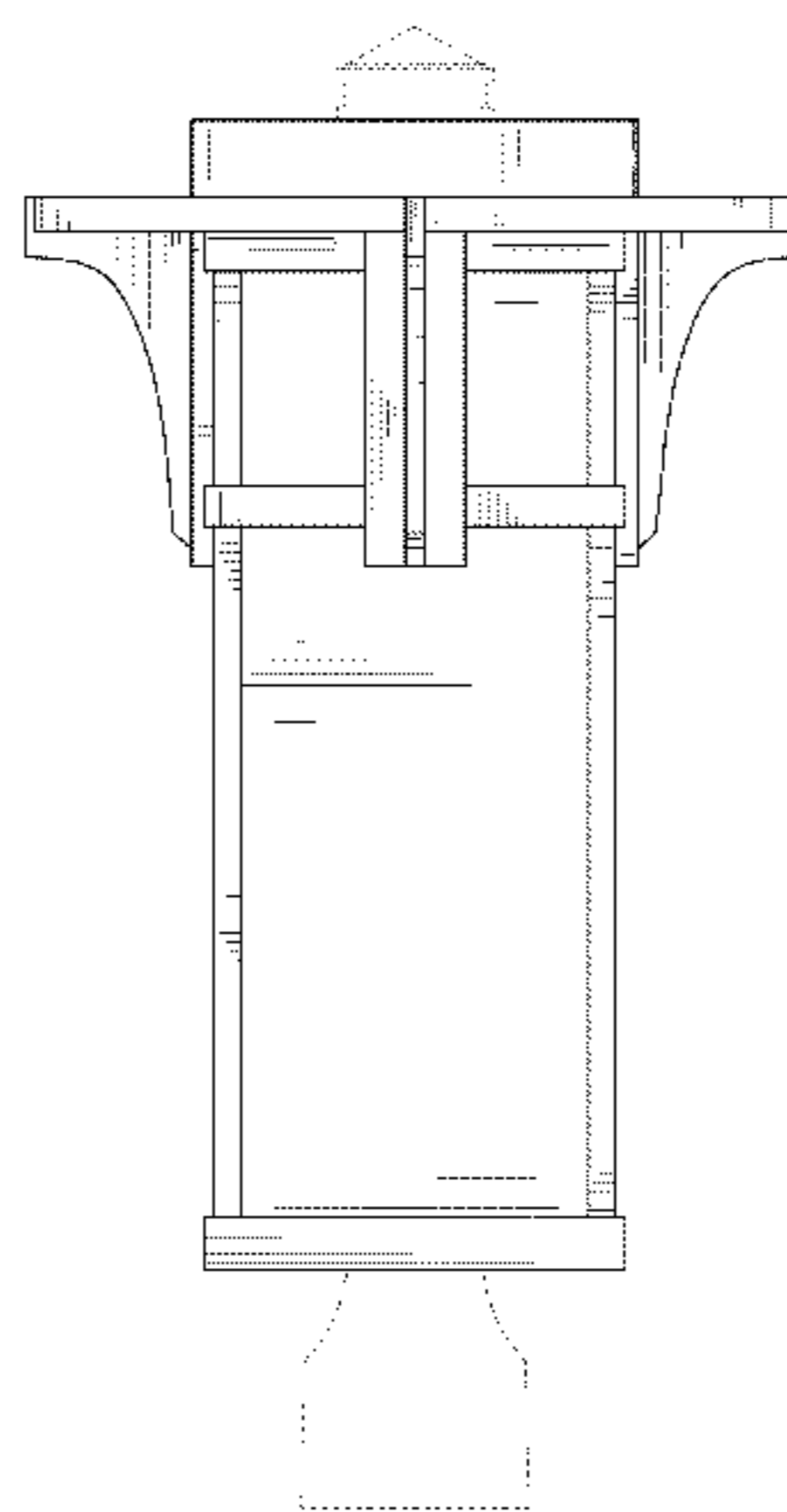
FIG. 17 is a right side view of the third embodiment of the lighting fixture.

FIG. 18 is a top view of the third embodiment of the lighting fixture; and,

FIG. 19 is a bottom view of the third embodiment of the lighting fixture.

The broken lines shown on the drawings depict portions of the lighting fixture that form no part of the claimed design.

1 Claim, 11 Drawing Sheets



US D740,992 S

Page 2

(56)

References Cited

U.S. PATENT DOCUMENTS

D586,493 S * 2/2009 Parres D26/87
D589,194 S * 3/2009 Sabernig D26/67
D663,063 S * 7/2012 Yang D26/67

D684,293 S * 6/2013 Lastimosa D26/87
D694,940 S * 12/2013 Dolan D26/87
D706,971 S * 6/2014 Walsh D26/87
D715,475 S * 10/2014 Nankil D26/67

* cited by examiner

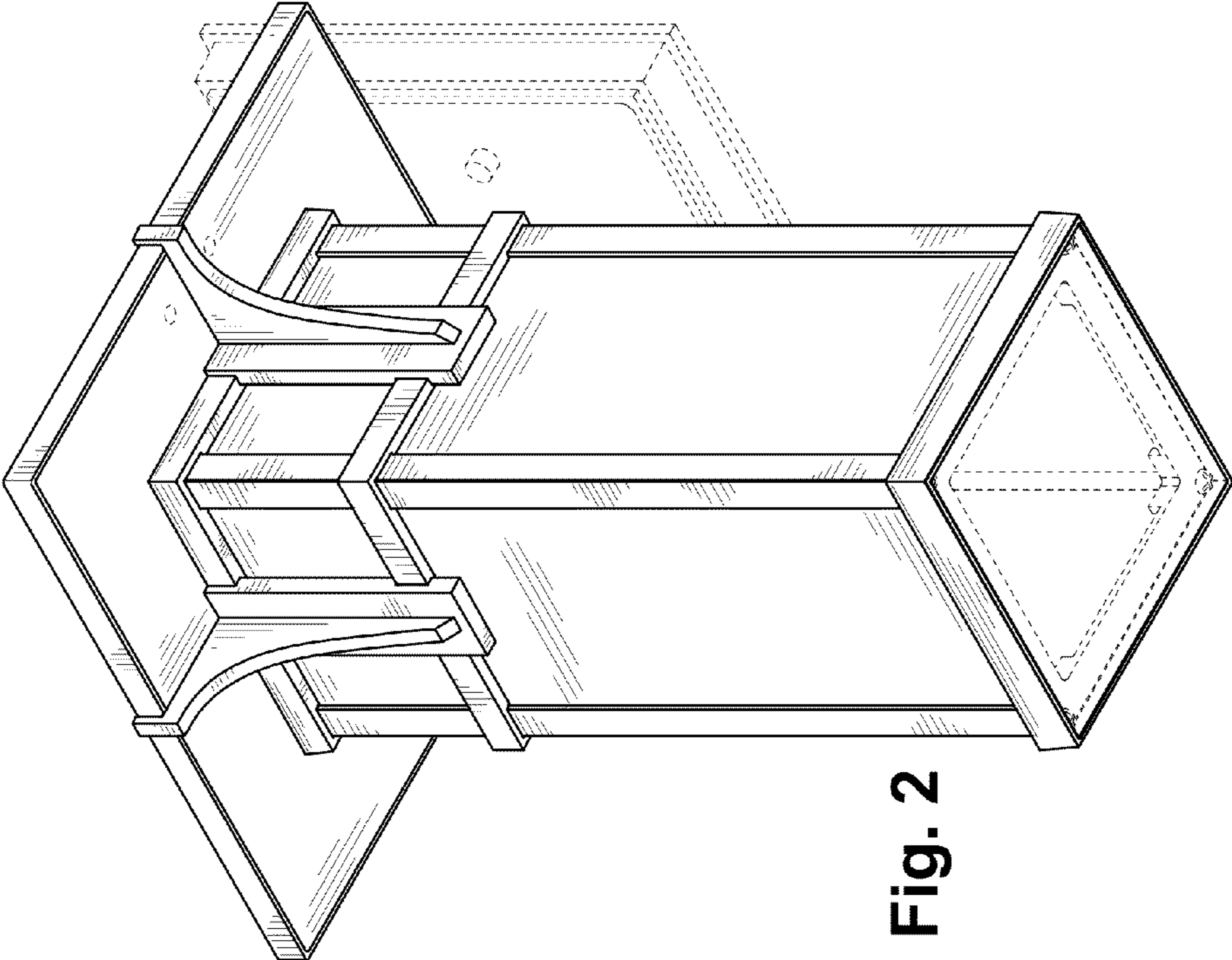


Fig. 2

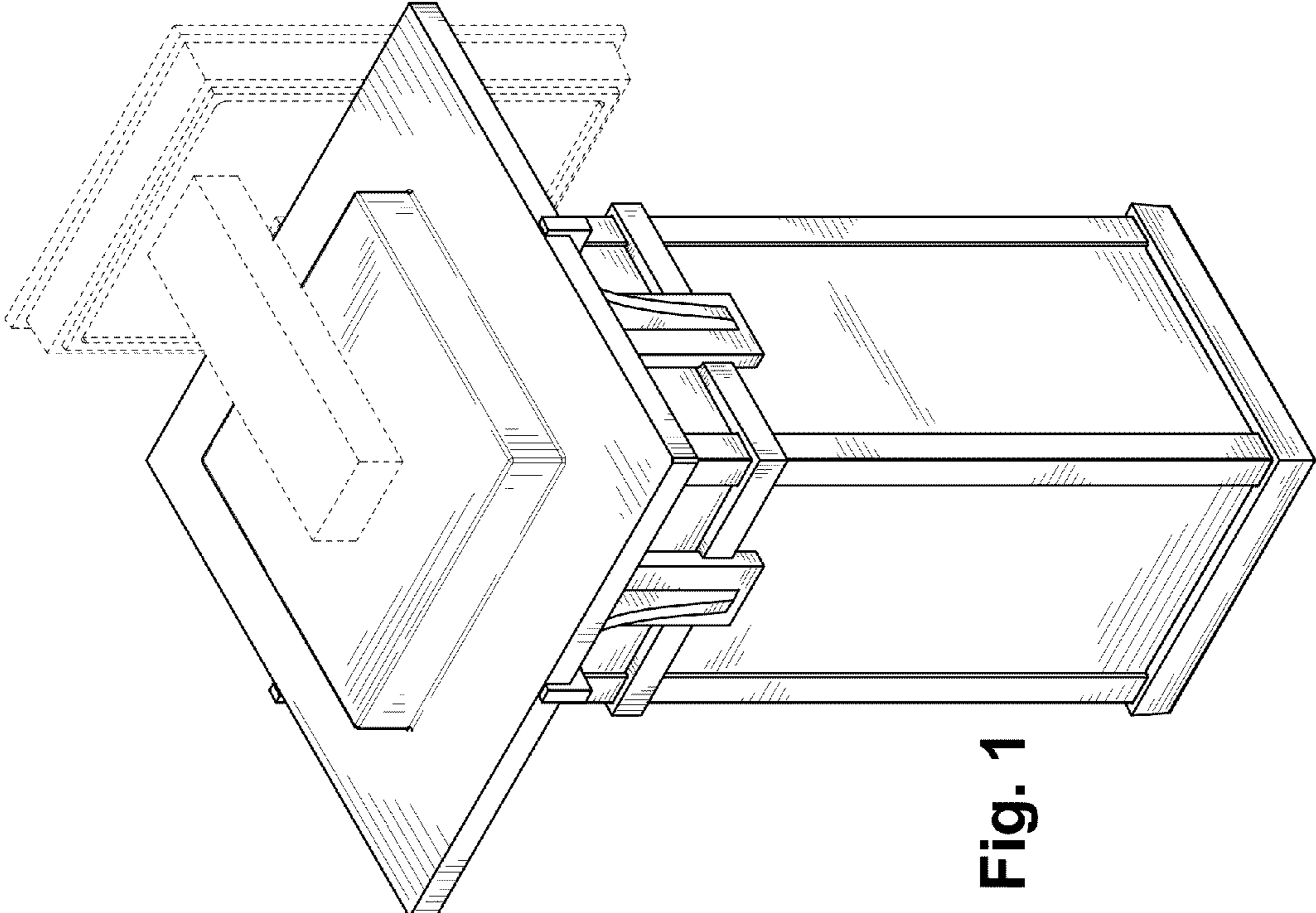


Fig. 1

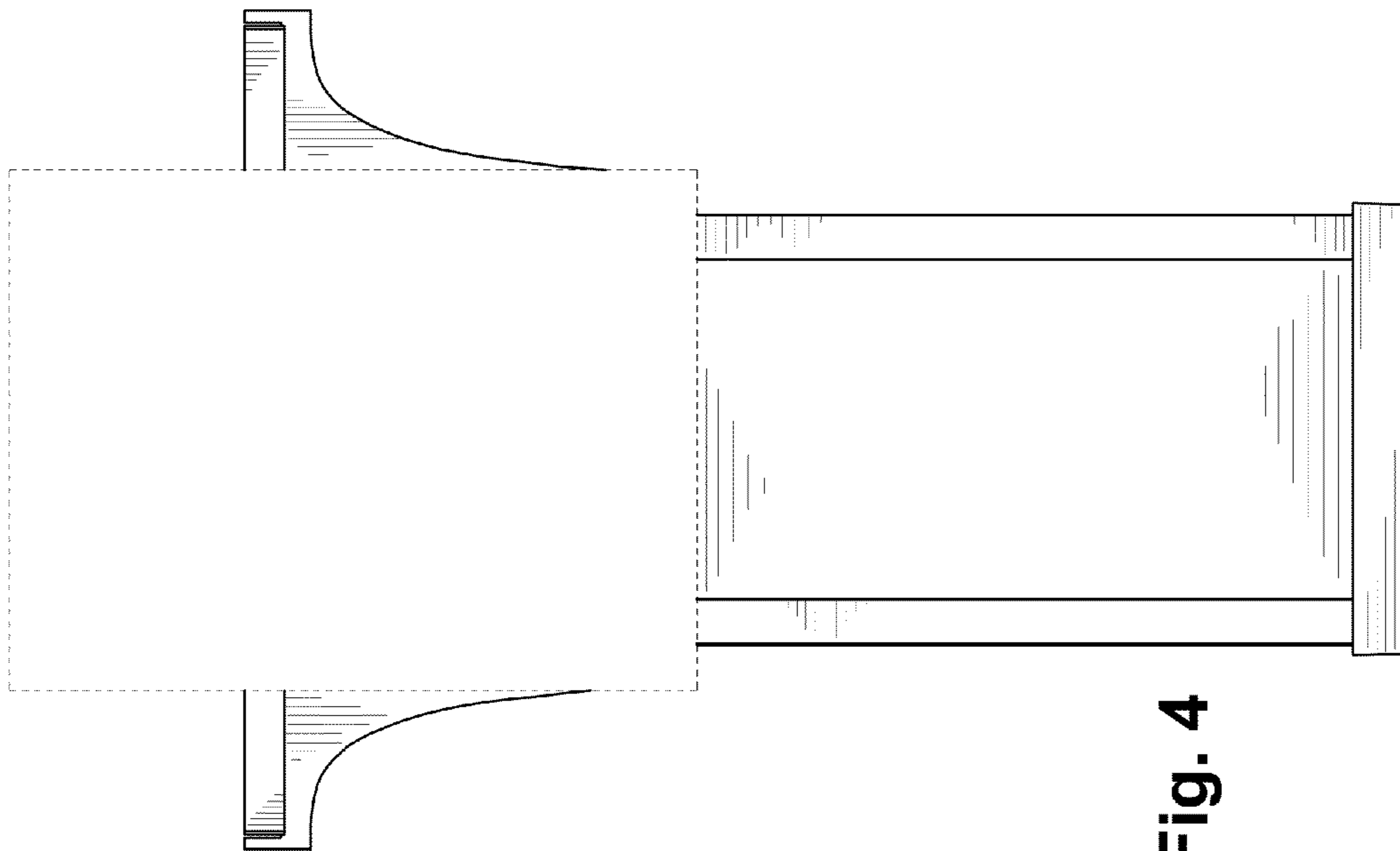


Fig. 4

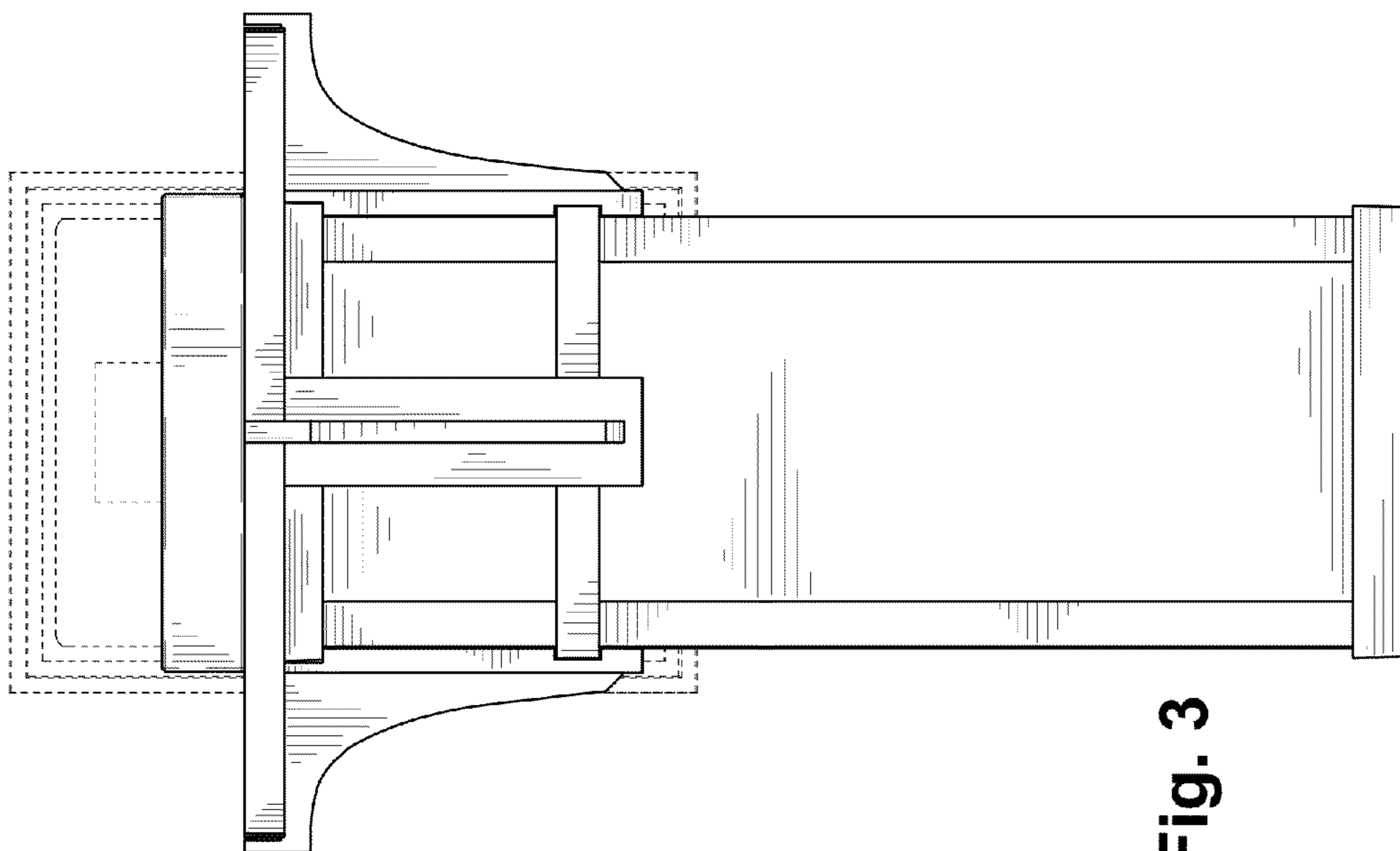


Fig. 3

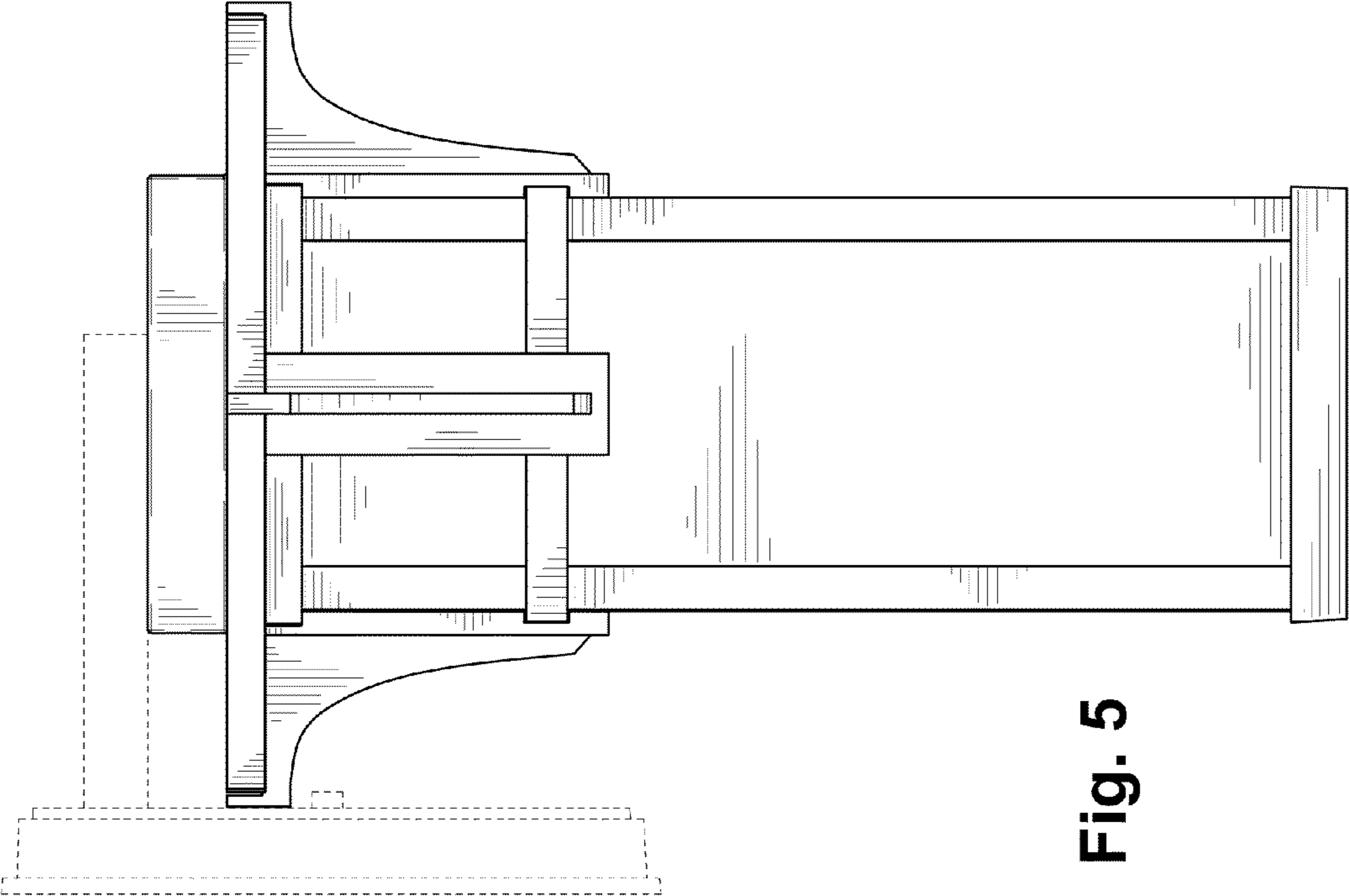


Fig. 5

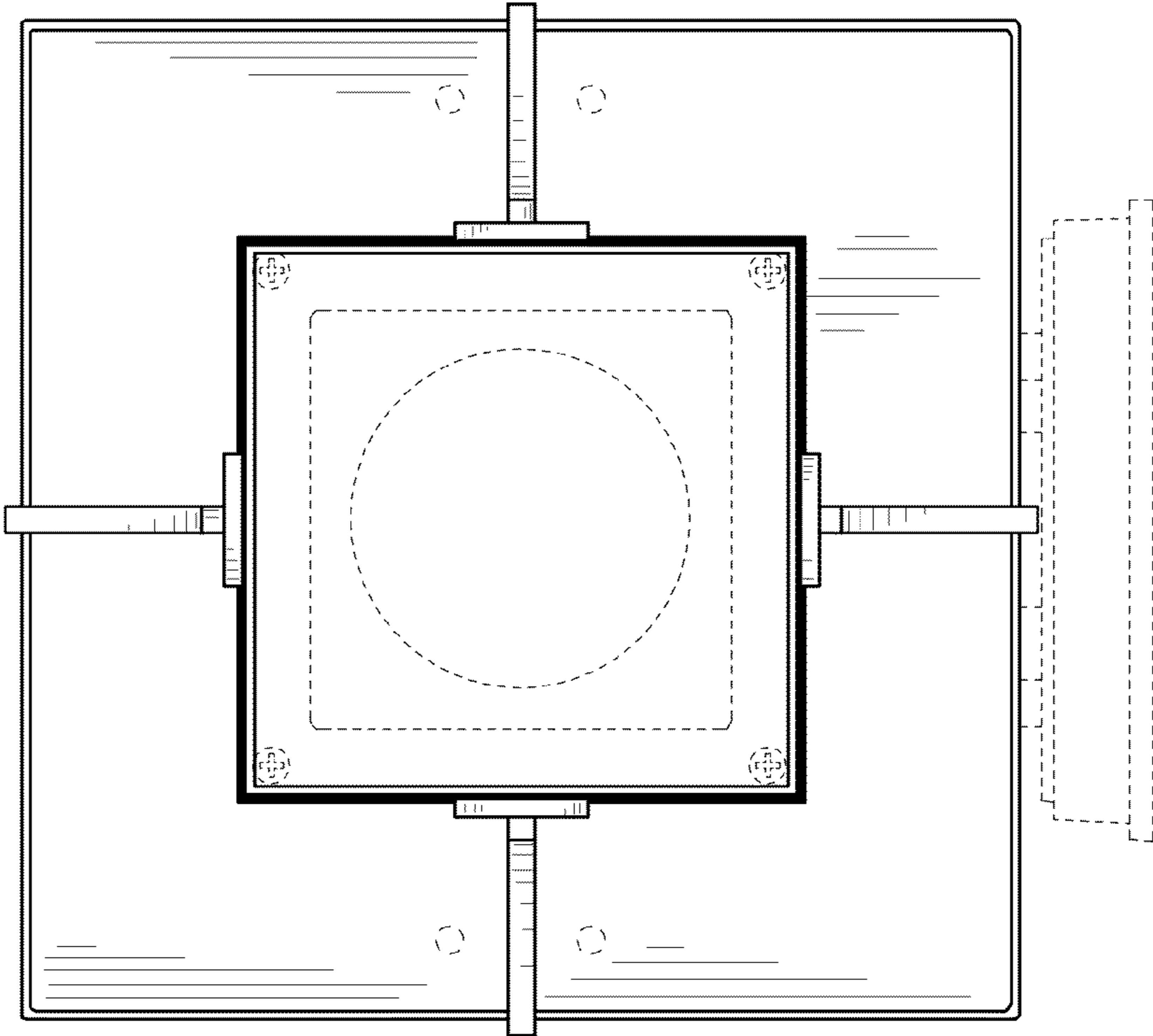


Fig. 7

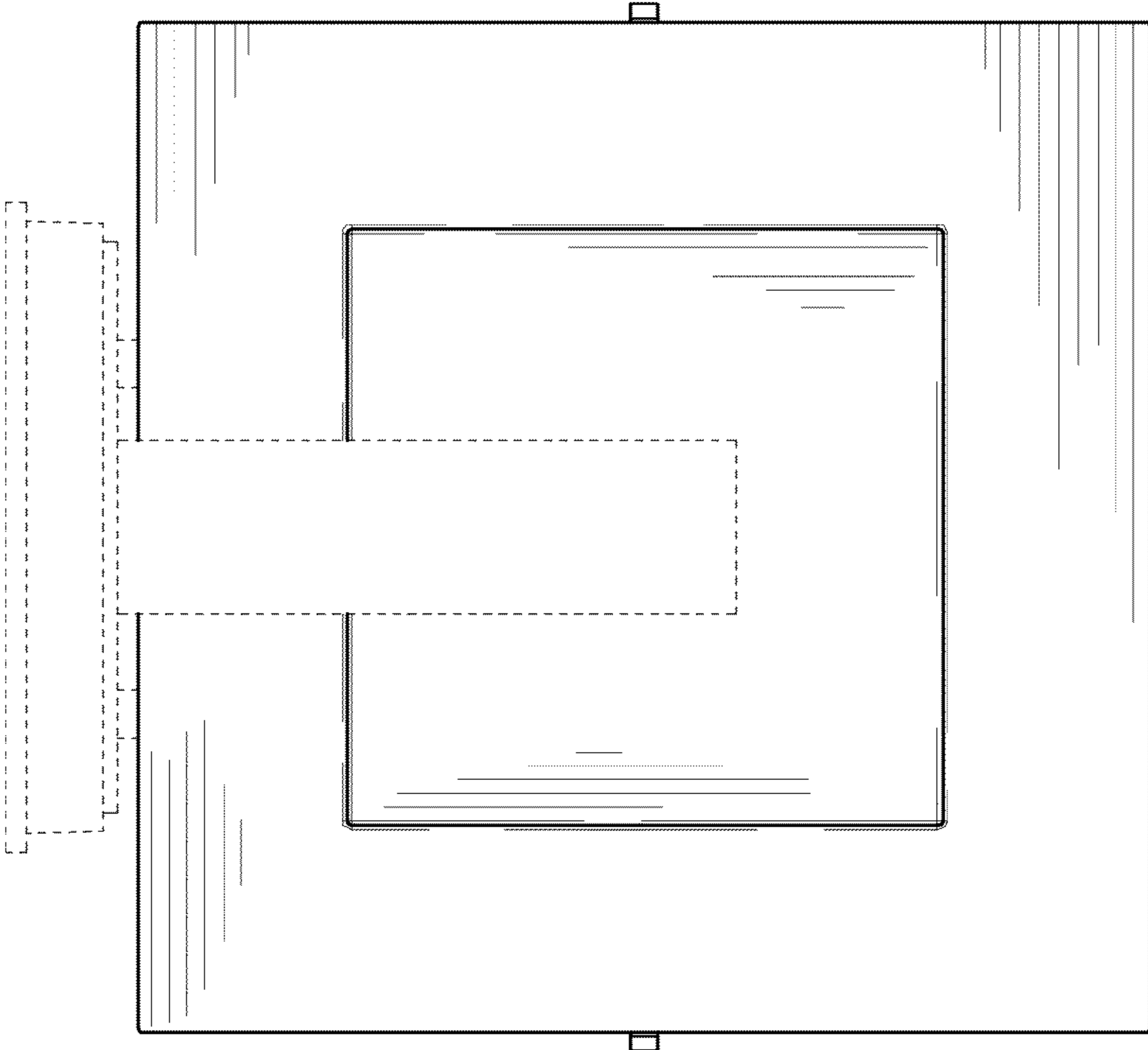


Fig. 6

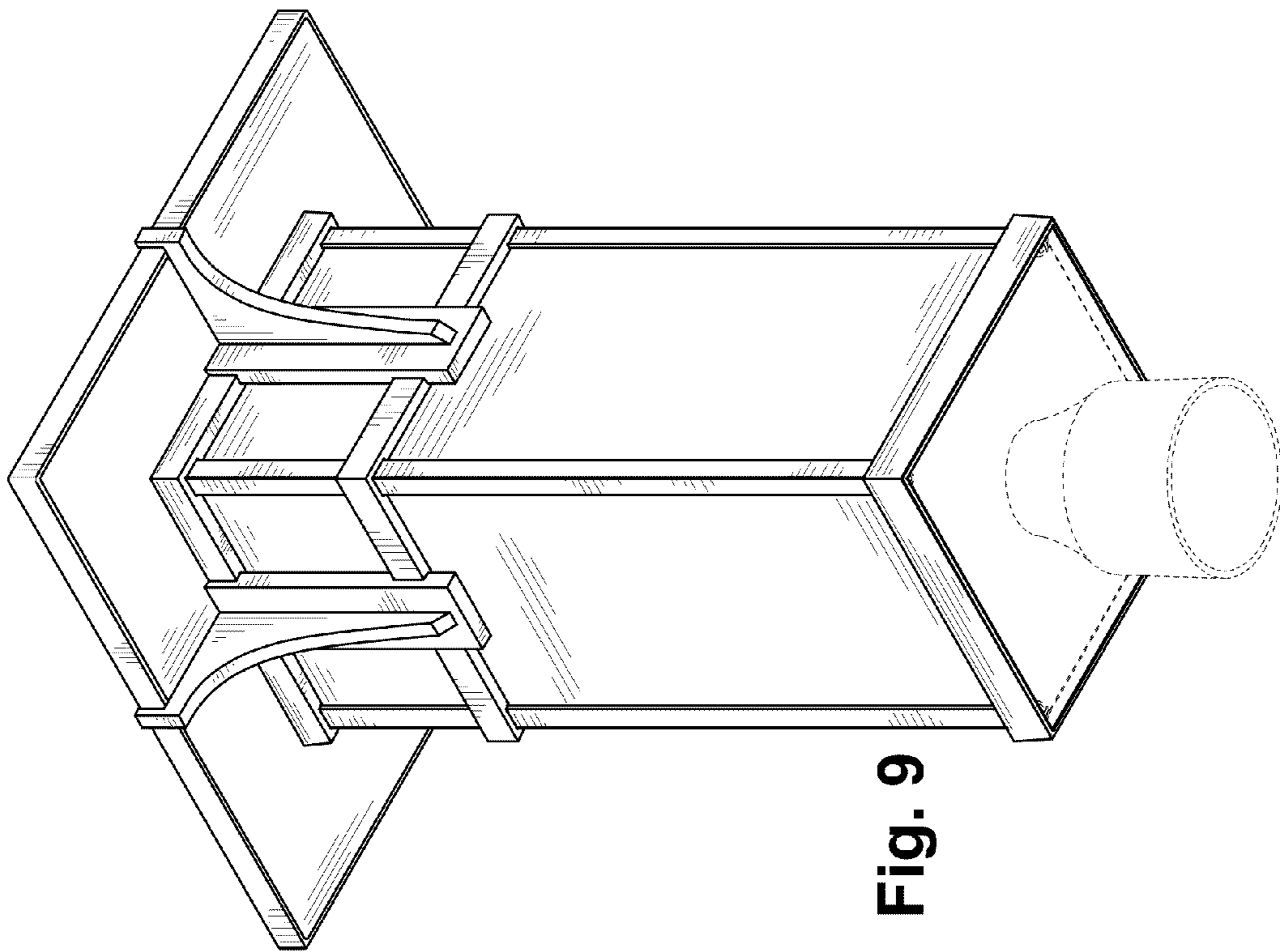


Fig. 9

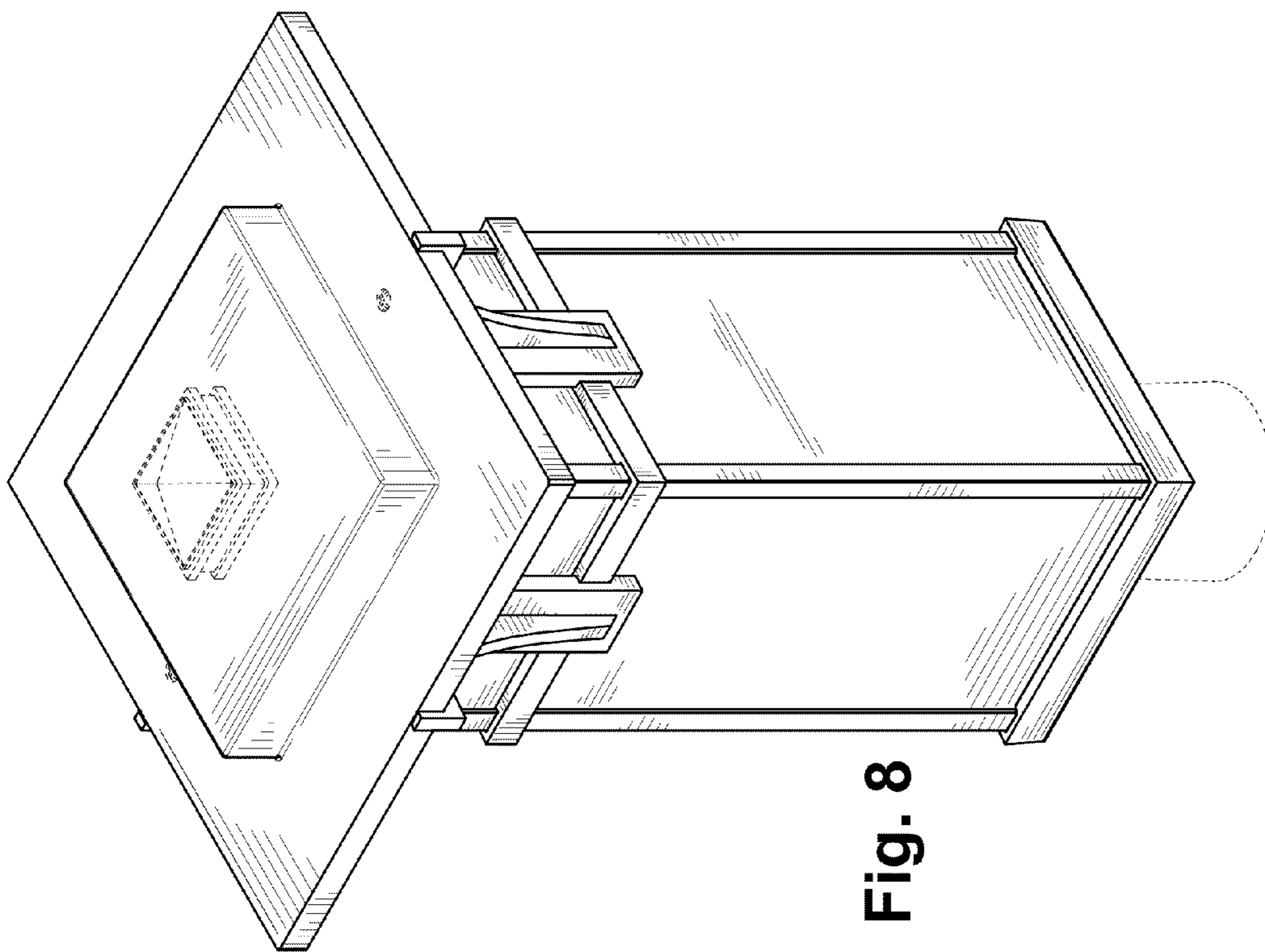


Fig. 8

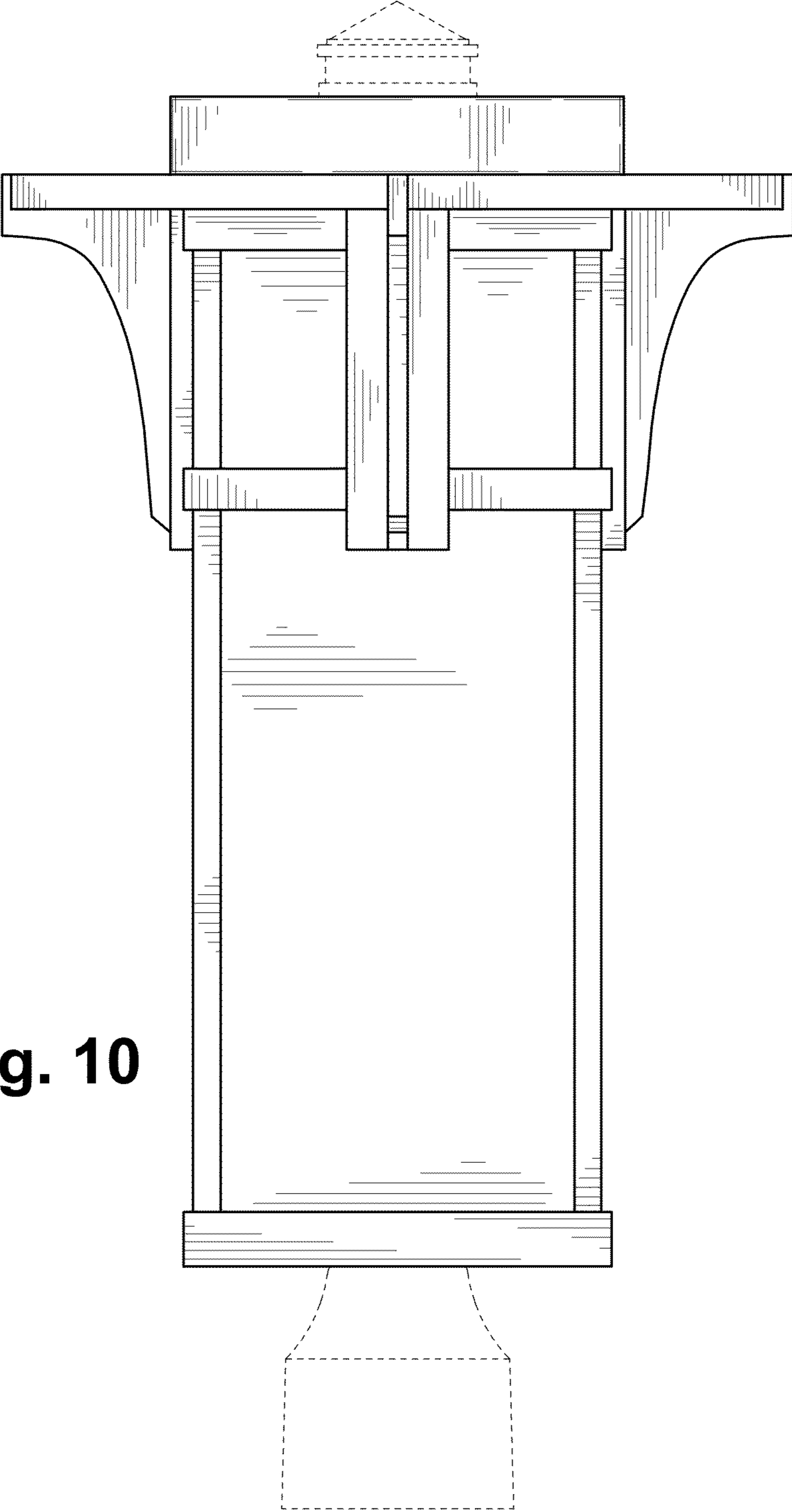


Fig. 10

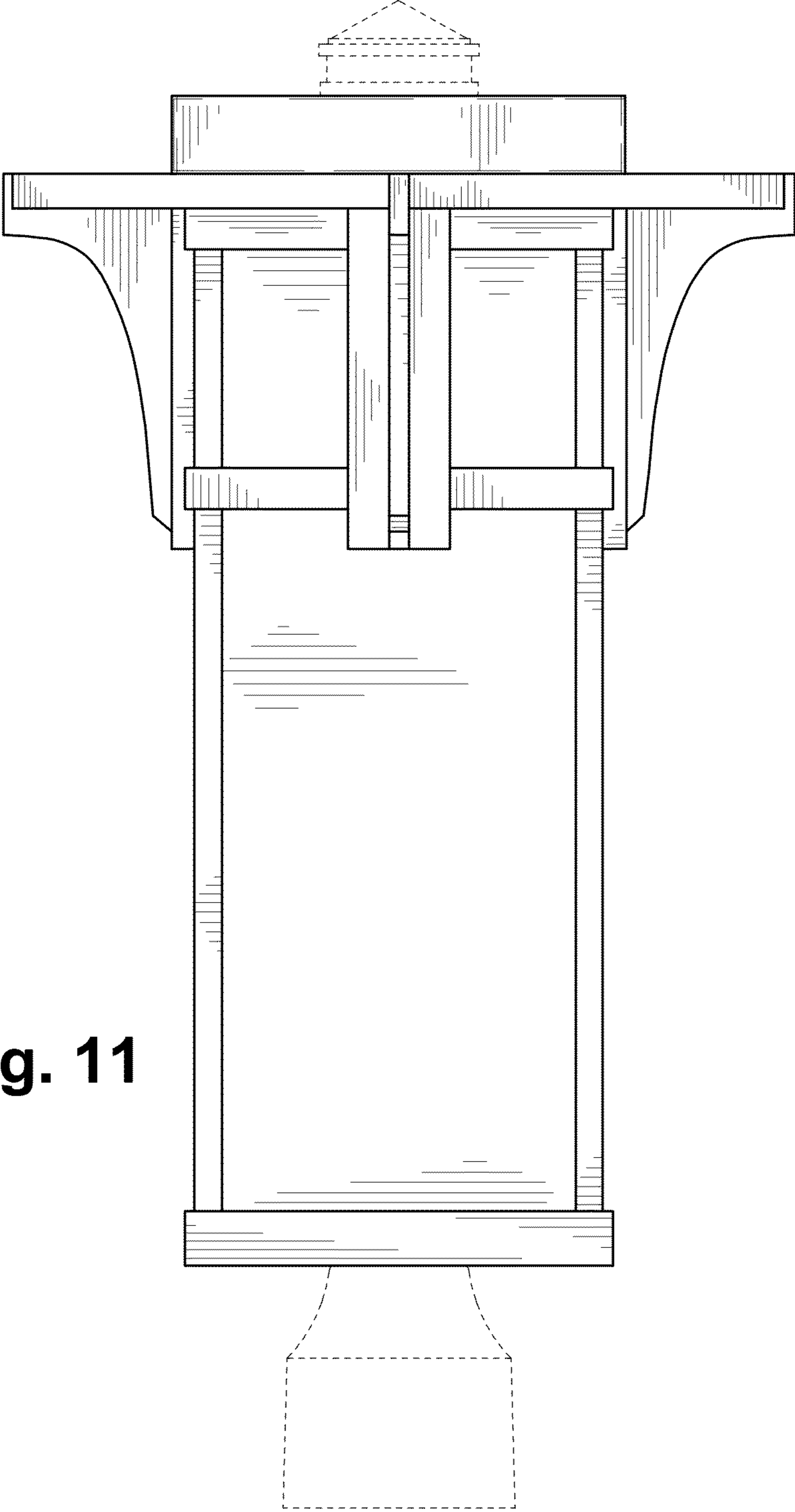


Fig. 11

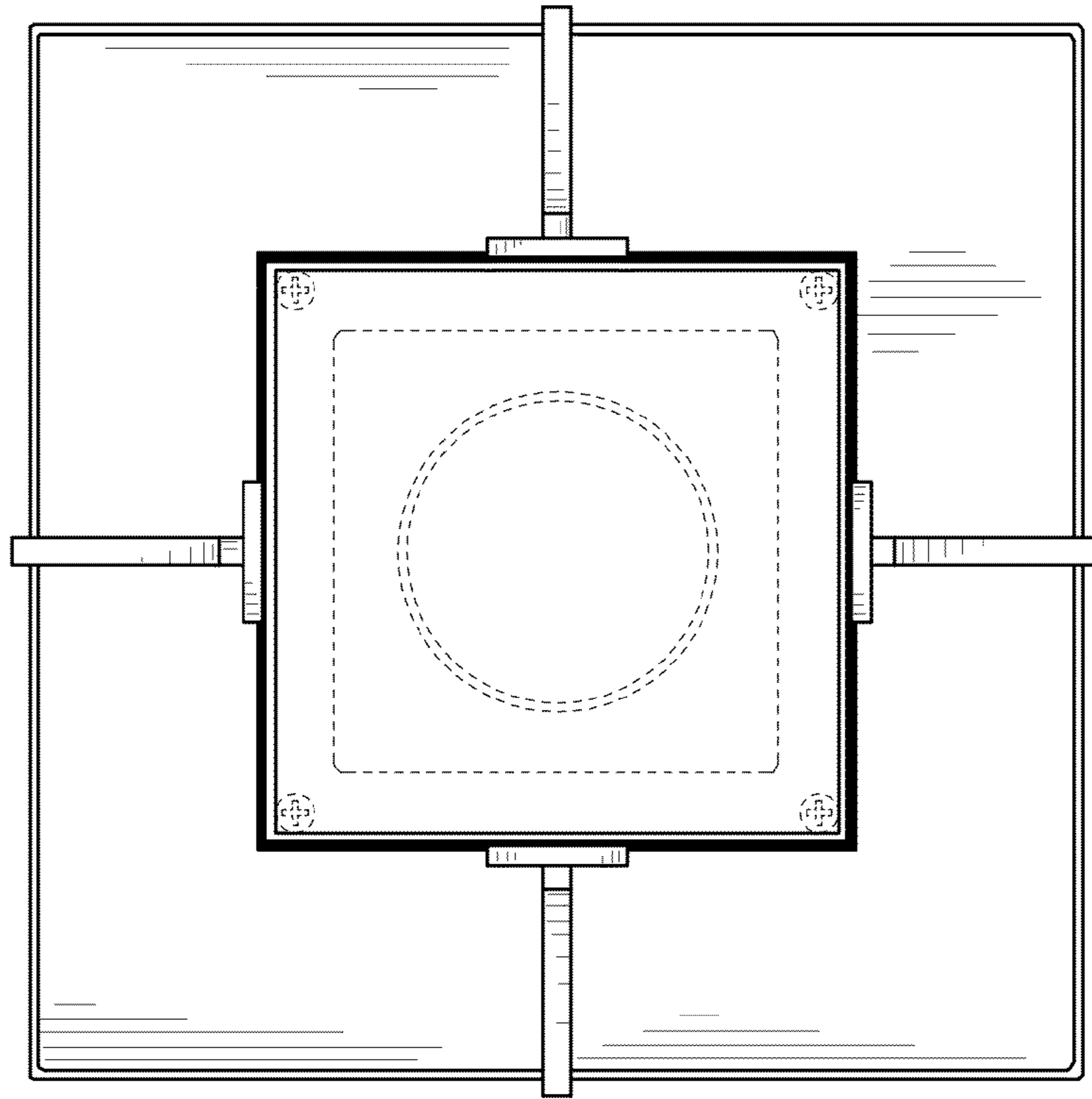


Fig. 13

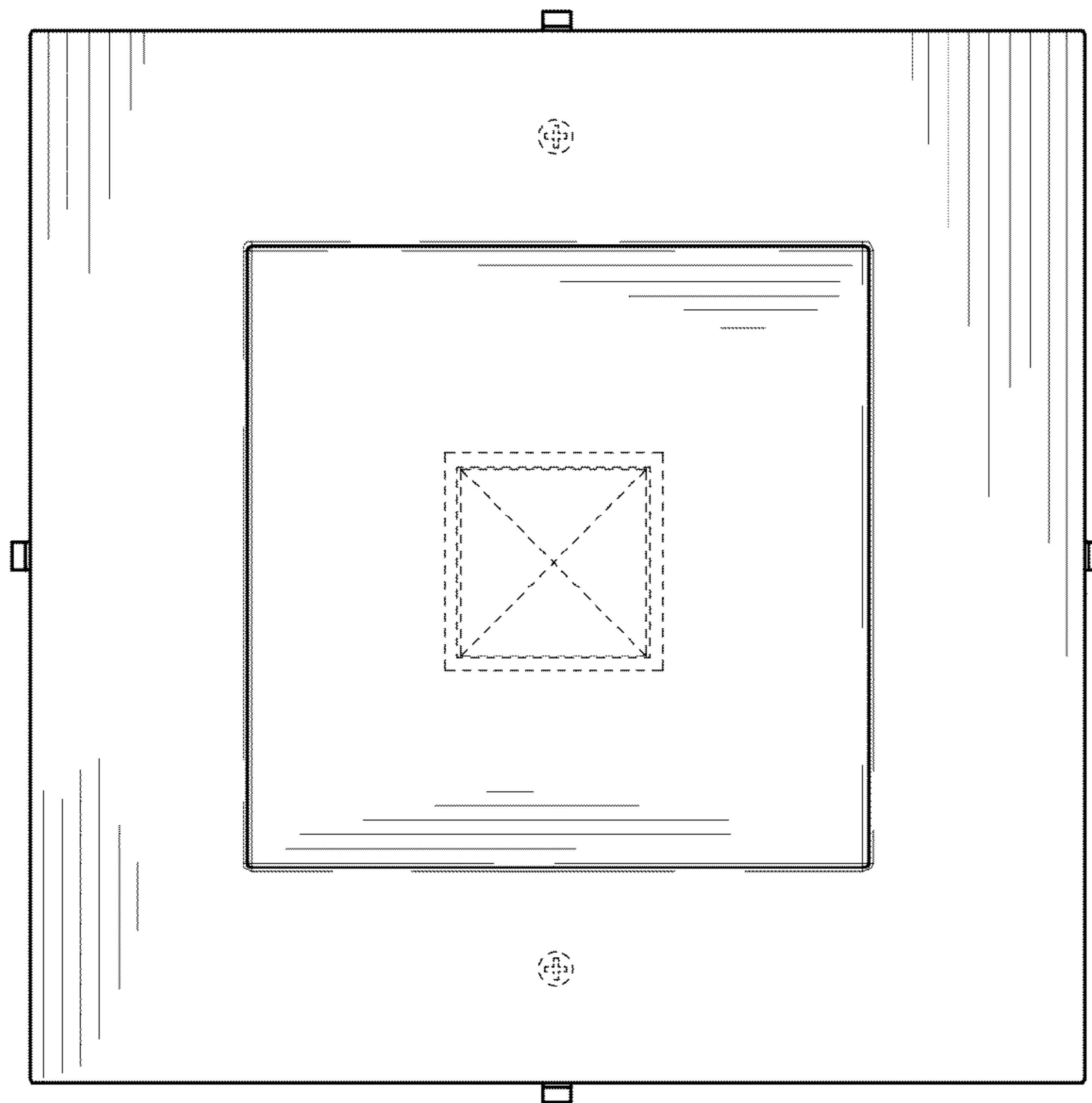


Fig. 12

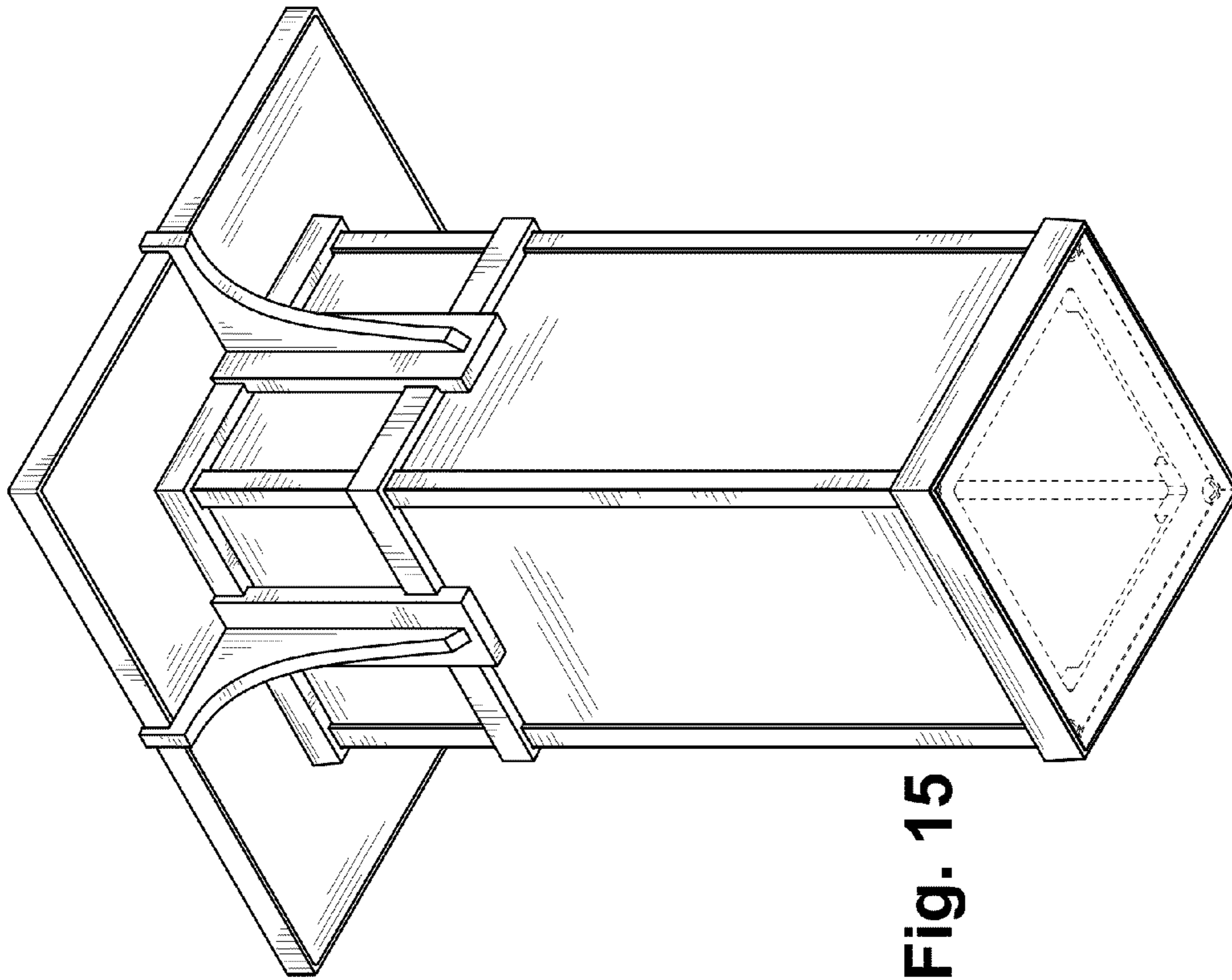


Fig. 15

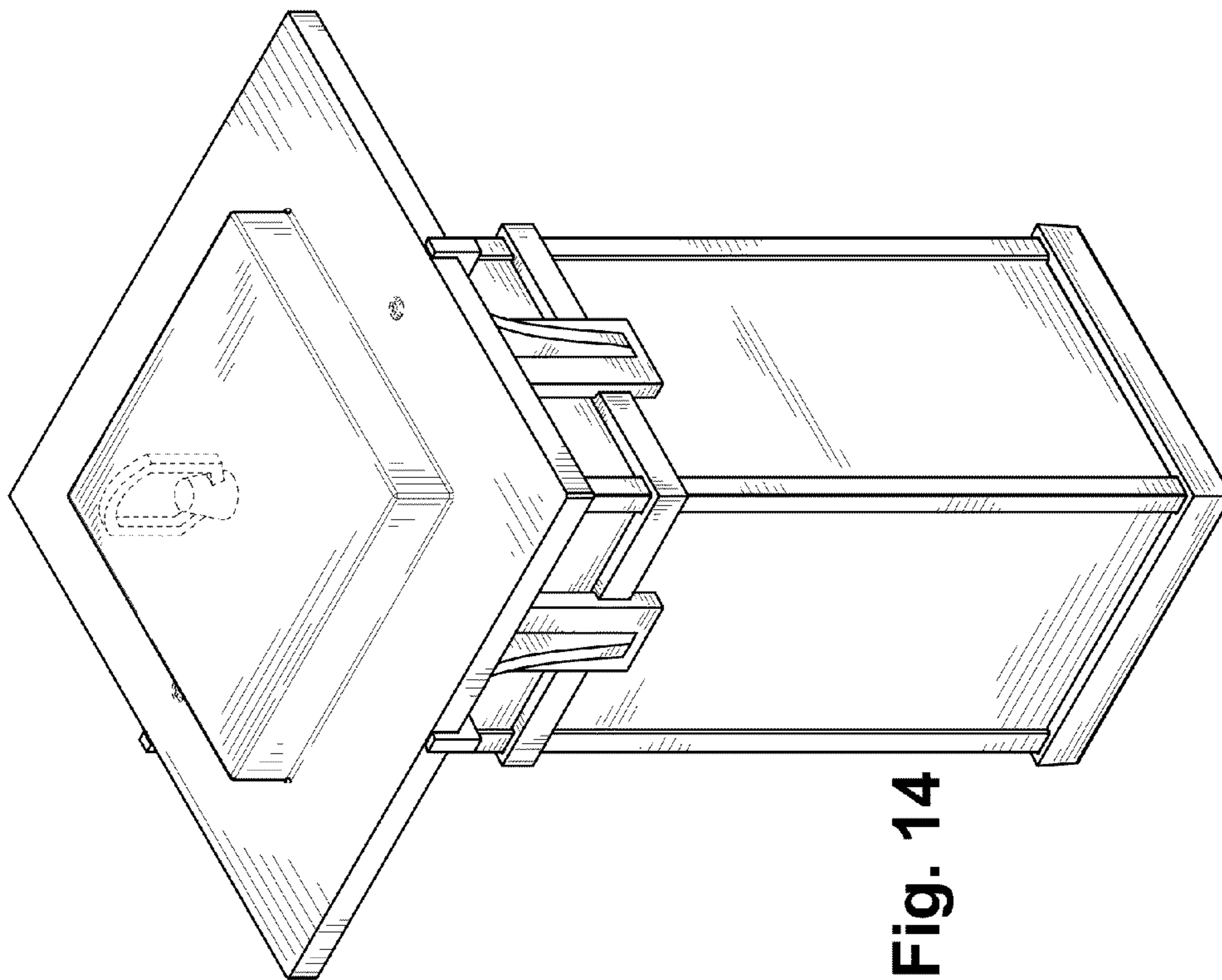


Fig. 14

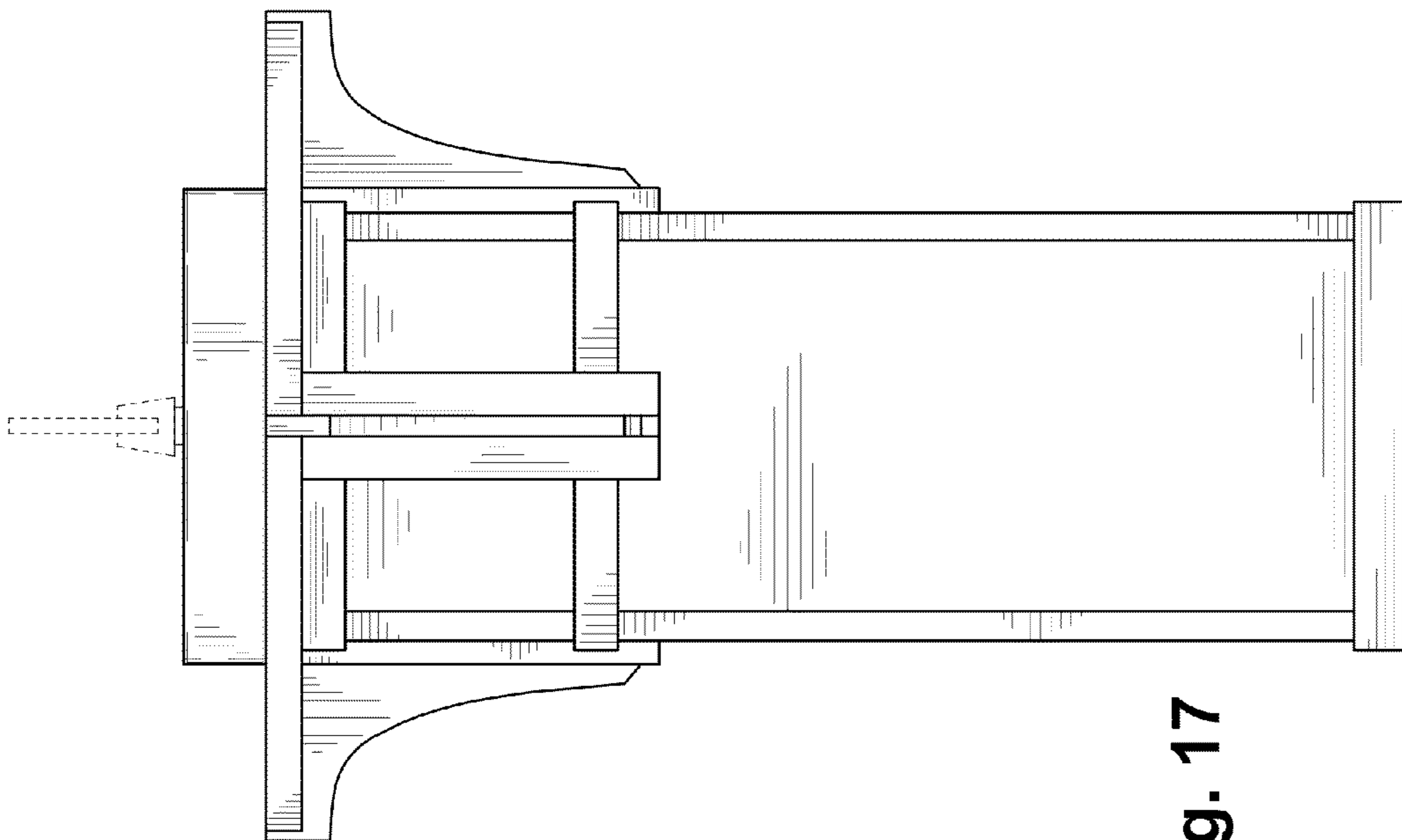


Fig. 17

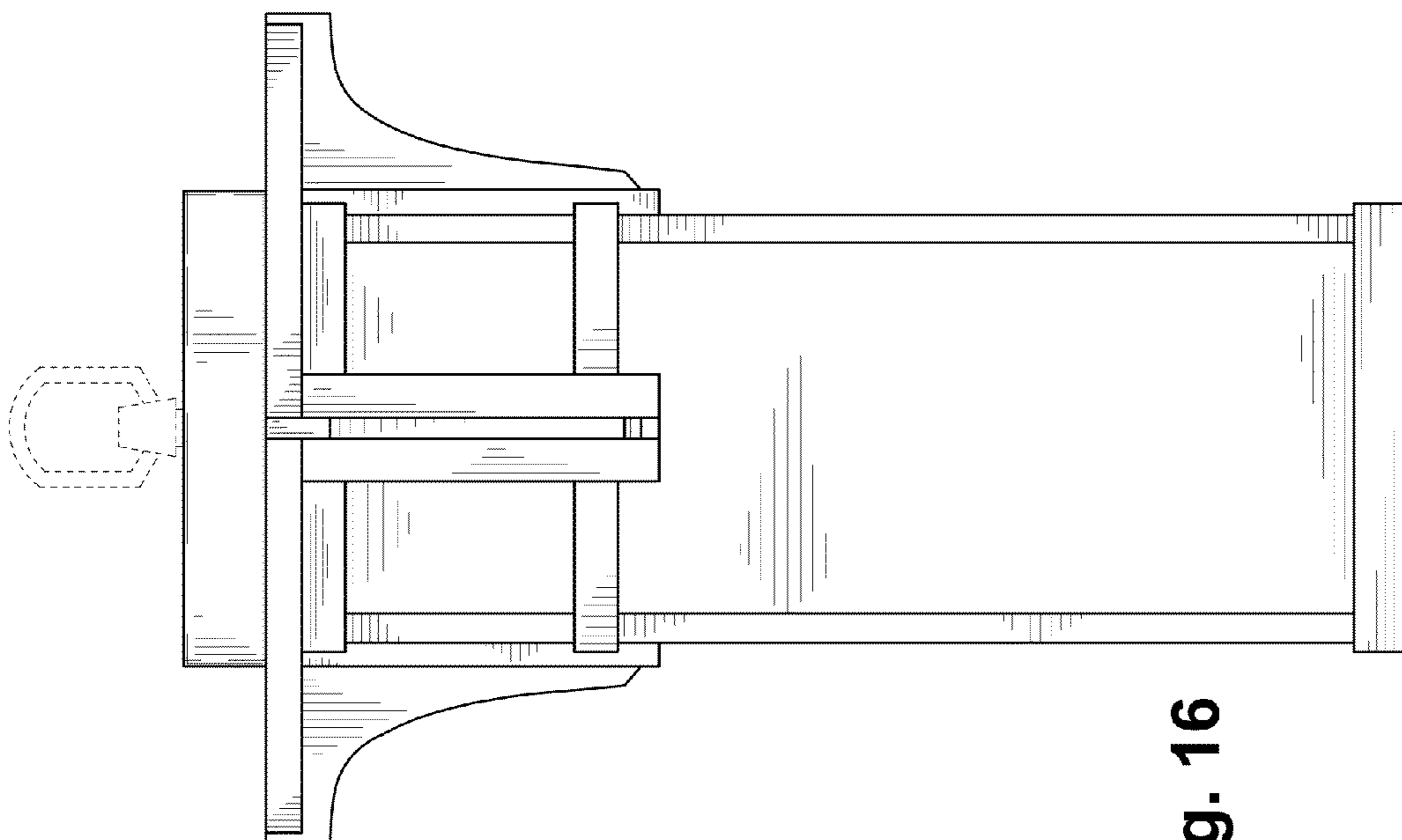


Fig. 16

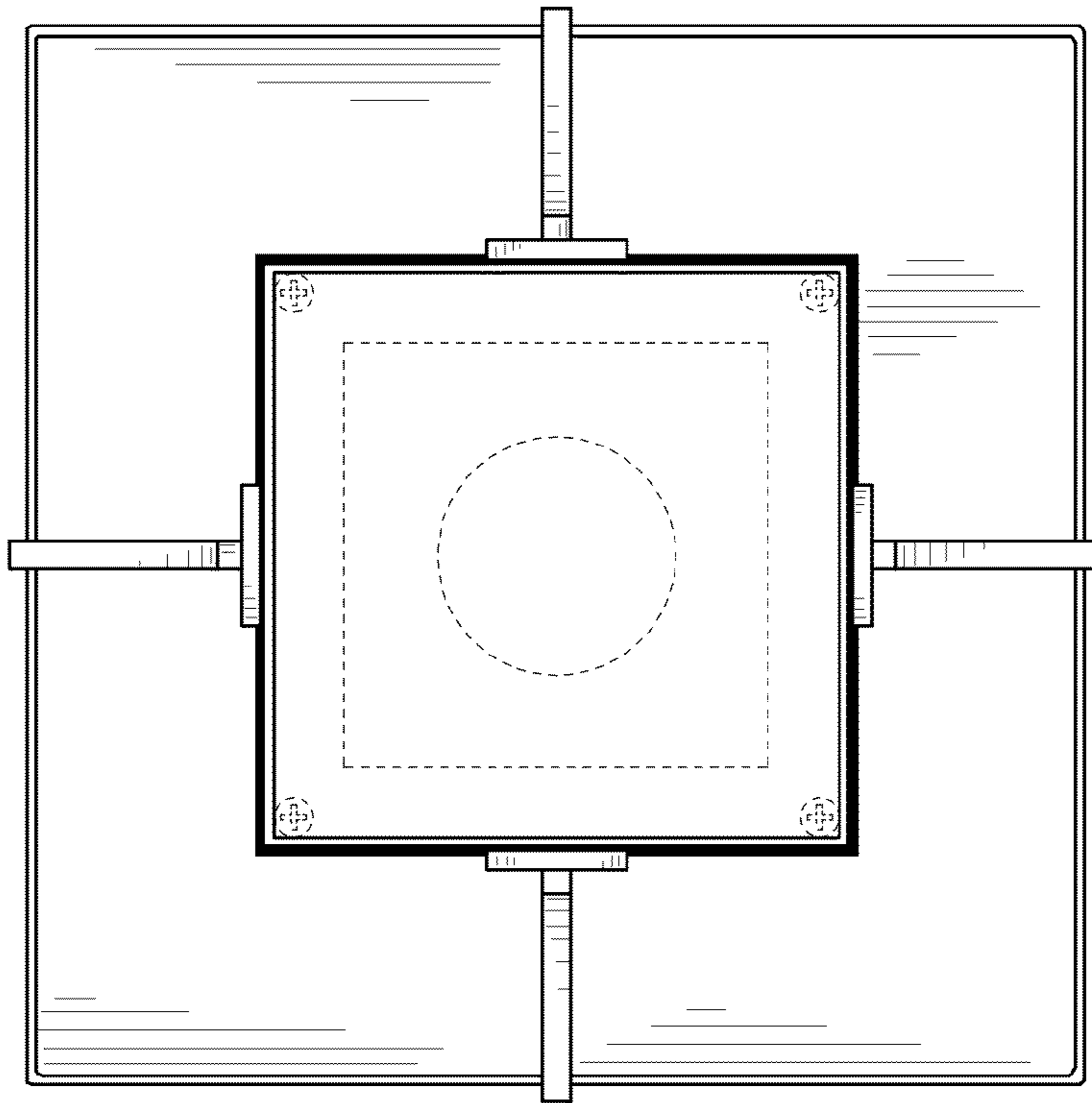


Fig. 19

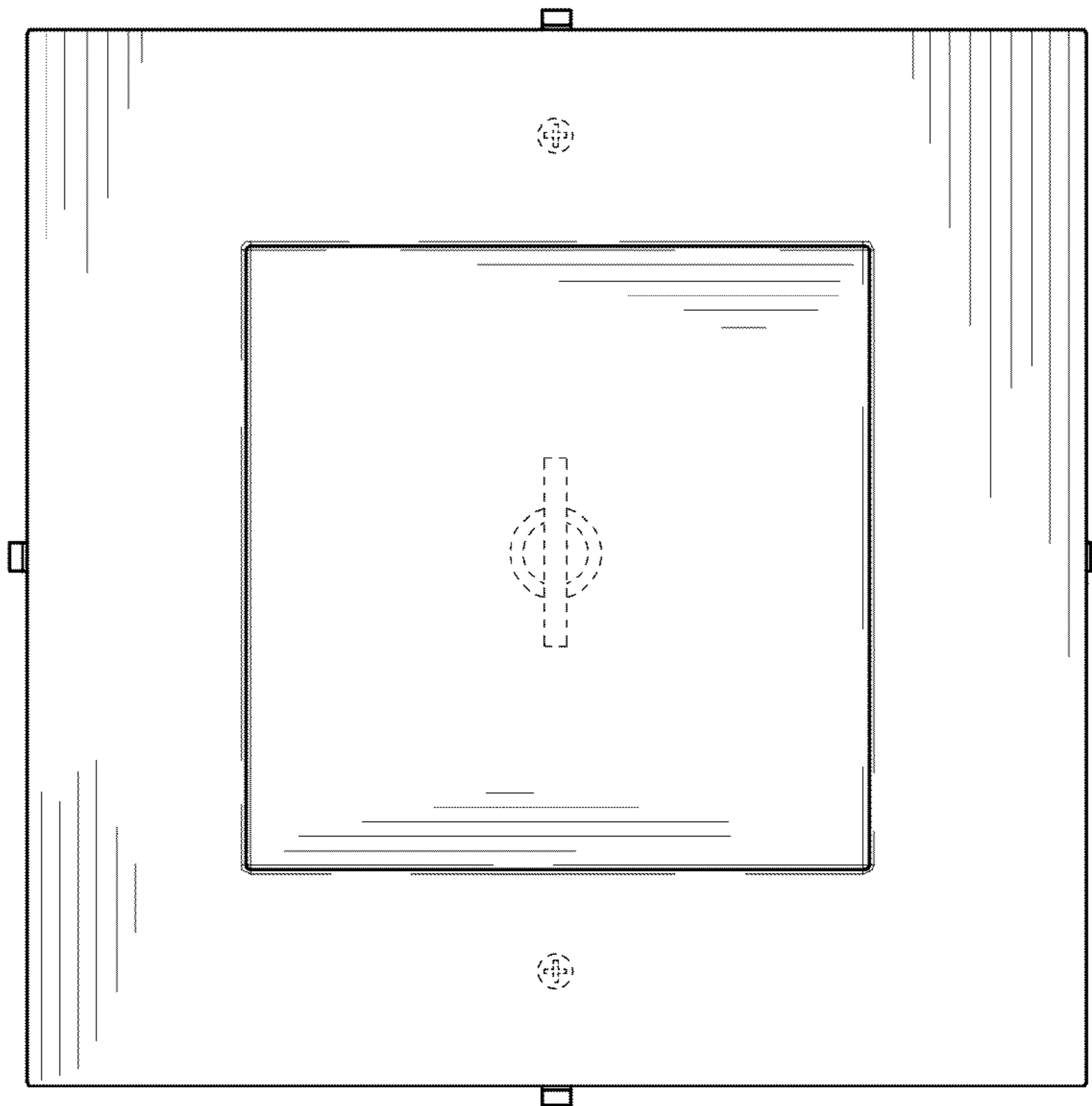


Fig. 18

UNITED STATES PATENT AND TRADEMARK OFFICE
CERTIFICATE OF CORRECTION

PATENT NO. : D740,992 S
APPLICATION NO. : 29/479727
DATED : October 13, 2015
INVENTOR(S) : Sergio Orozco

Page 1 of 1

It is certified that error appears in the above-identified patent and that said Letters Patent is hereby corrected as shown below:

Title page, Left Column, in the description section, before the paragraph beginning "Fig. 1 is a top perspective," insert the following paragraph -- Figs. 1-7 illustrate a first embodiment of the lighting fixture. This fixture has left-to-right symmetry along an imaginary vertical central line through Figure 3. --

Title page, Right Column, below the paragraph beginning "Fig. 7 is a bottom view," and before the paragraph beginning "Fig. 8 is a top perspective view," insert the following paragraph -- Figs. 8-13 illustrate a second embodiment of the lighting fixture. This fixture has left-to-right symmetry along an imaginary vertical central line through Figure 10. --

Title page, Right Column, below the paragraph beginning "Fig. 13 is a bottom view," and before the paragraph beginning "Fig. 14 is a top perspective view," insert the following paragraph -- Figs. 14-19 illustrate a third embodiment of the lighting fixture. This fixture has left-to-right symmetry along an imaginary vertical central line through Figure 16. --

Signed and Sealed this
Twelfth Day of July, 2016



Michelle K. Lee
Director of the United States Patent and Trademark Office