



US00D740991S

(12) **United States Design Patent**
Hill et al.

(10) **Patent No.:** **US D740,991 S**
(45) **Date of Patent:** **** Oct. 13, 2015**

(54) **LIGHT FIXTURE**

(71) Applicants: **Paul Hill**, Macclenny, FL (US); **Suong Vien**, Macclenny, FL (US)

(72) Inventors: **Paul Hill**, Macclenny, FL (US); **Suong Vien**, Macclenny, FL (US)

(73) Assignee: **Clear Energy, Inc.**, Fayetteville, AR (US)

(**) Term: **14 Years**

(21) Appl. No.: **29/481,942**

(22) Filed: **Feb. 12, 2014**

(51) **LOC (10) Cl.** **26-03**

(52) **U.S. Cl.**
USPC **D26/78**

(58) **Field of Classification Search**
USPC D26/24, 39, 59, 67, 68, 69, 70, 71, 72,
D26/74, 77, 80, 88, 89, 138, 139, 140, 141,
D26/142, 151, 152; 313/115, 548, 557, 569,
313/578, 315; 362/126, 294, 355
CPC H05B 3/0095; H05B 6/10; H05B 6/1218;
H05B 31/00; H05B 31/0018; H05B 31/0036;
H05B 31/0045; H05B 31/0048; H05B
31/0051; H05B 31/04; H05B 33/0803; H05B
33/0833; H05B 33/0845; H05B 33/12; H05B
35/00; H05B 37/029; H05B 37/04; H05B
39/041; H05B 39/042; H05B 39/081; H05B
39/083; H01K 5/00; H01K 7/00
See application file for complete search history.

(56) **References Cited**

U.S. PATENT DOCUMENTS

D193,575 S * 9/1962 Blitzer D26/76
D329,102 S * 9/1992 Dieperink D26/77
D334,077 S * 3/1993 Dieperink et al. D26/77

D365,409 S * 12/1995 Lu D26/77
D542,963 S * 5/2007 Zucker D26/121
D593,697 S * 6/2009 Liu et al. D26/74
D600,392 S * 9/2009 Ling et al. D26/74
D677,821 S * 3/2013 Jeon D26/74
D707,386 S * 6/2014 McKenzie et al. D26/142
2011/0141743 A1 * 6/2011 Fabbri 362/296.01

* cited by examiner

Primary Examiner — George D Kirschbaum

Assistant Examiner — Natasha Vujcic

(74) *Attorney, Agent, or Firm* — Wright Lindsey + Jennings;
Meredith Lowry

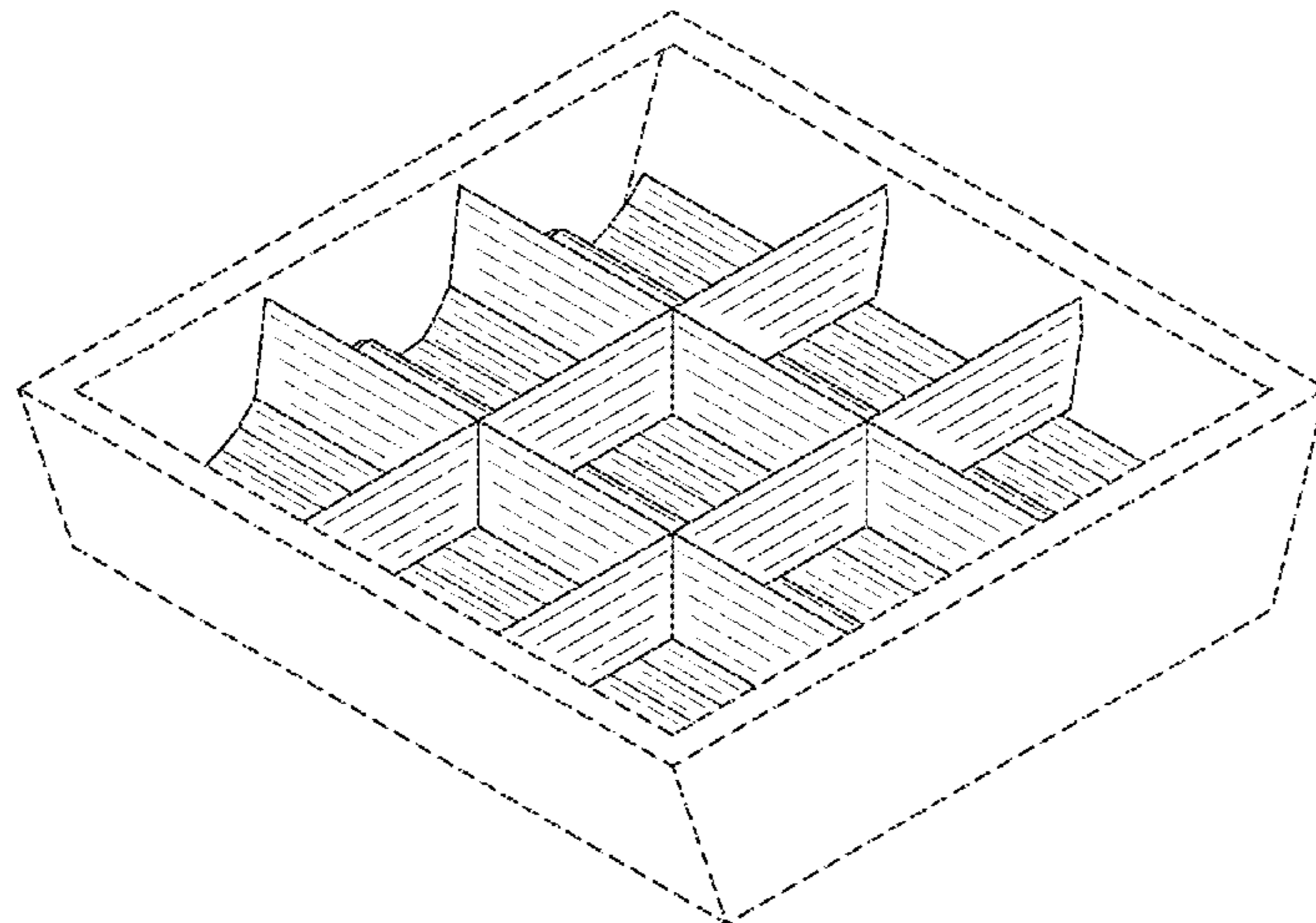
(57) **CLAIM**

The ornamental design for a light fixture, as shown and described.

DESCRIPTION

FIG. 1 is a isometric view of the light fixture;
FIG. 2 is a top perspective view thereof;
FIG. 3 is a top plan view thereof;
FIG. 4 is a front side elevational view thereof, the back side being a mirror image thereof;
FIG. 5 is a right side elevational view thereof, the left side being a mirror image thereof;
FIG. 6 is a bottom plan view thereof;
FIG. 7 is a cross-sectional side view of the light fixture taken along line 7-7;
FIG. 8 is a cross-sectional side view of the light fixture taken along line 8-8; and,
FIG. 9 is a cross-sectional side view of the light fixture taken along line 9-9.
Portions or features of the light fixture not shown in the drawings form no part of the claimed design. The broken lines in the drawings illustrating portions of the lighting fixture form no part of the claimed design.

1 Claim, 5 Drawing Sheets



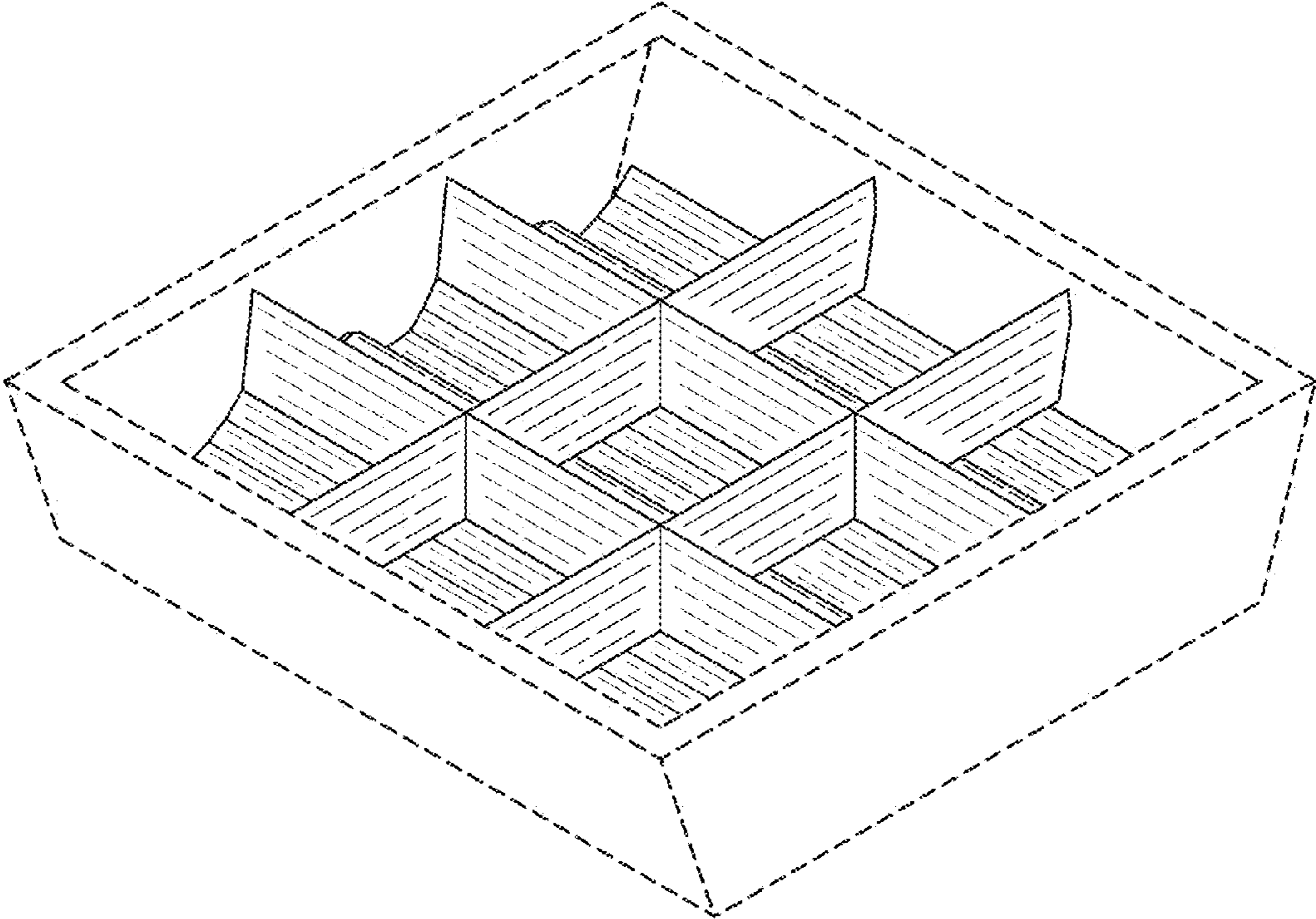


FIG. 1

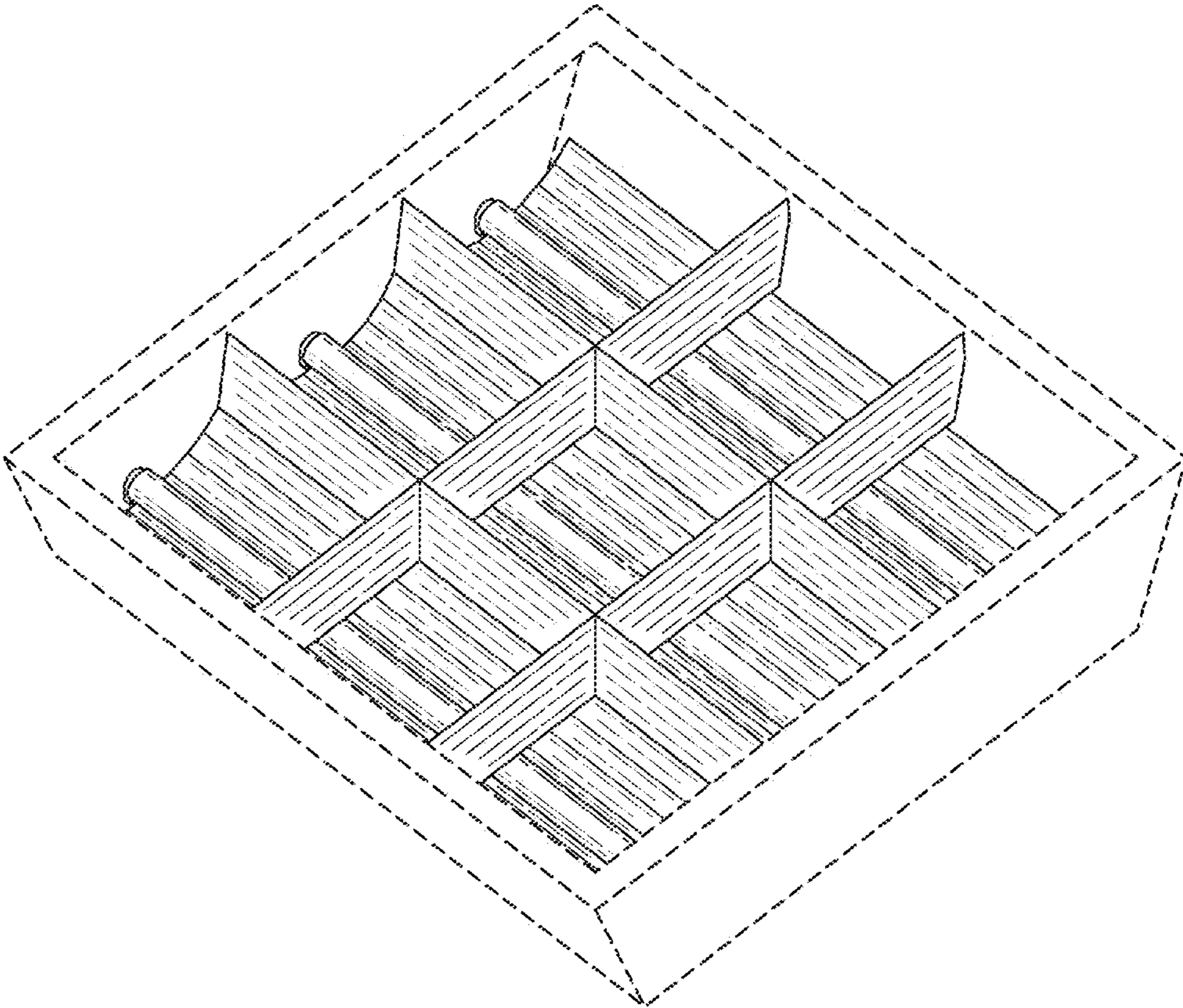


FIG. 2

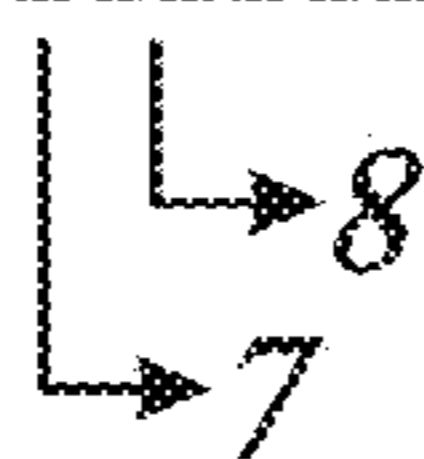
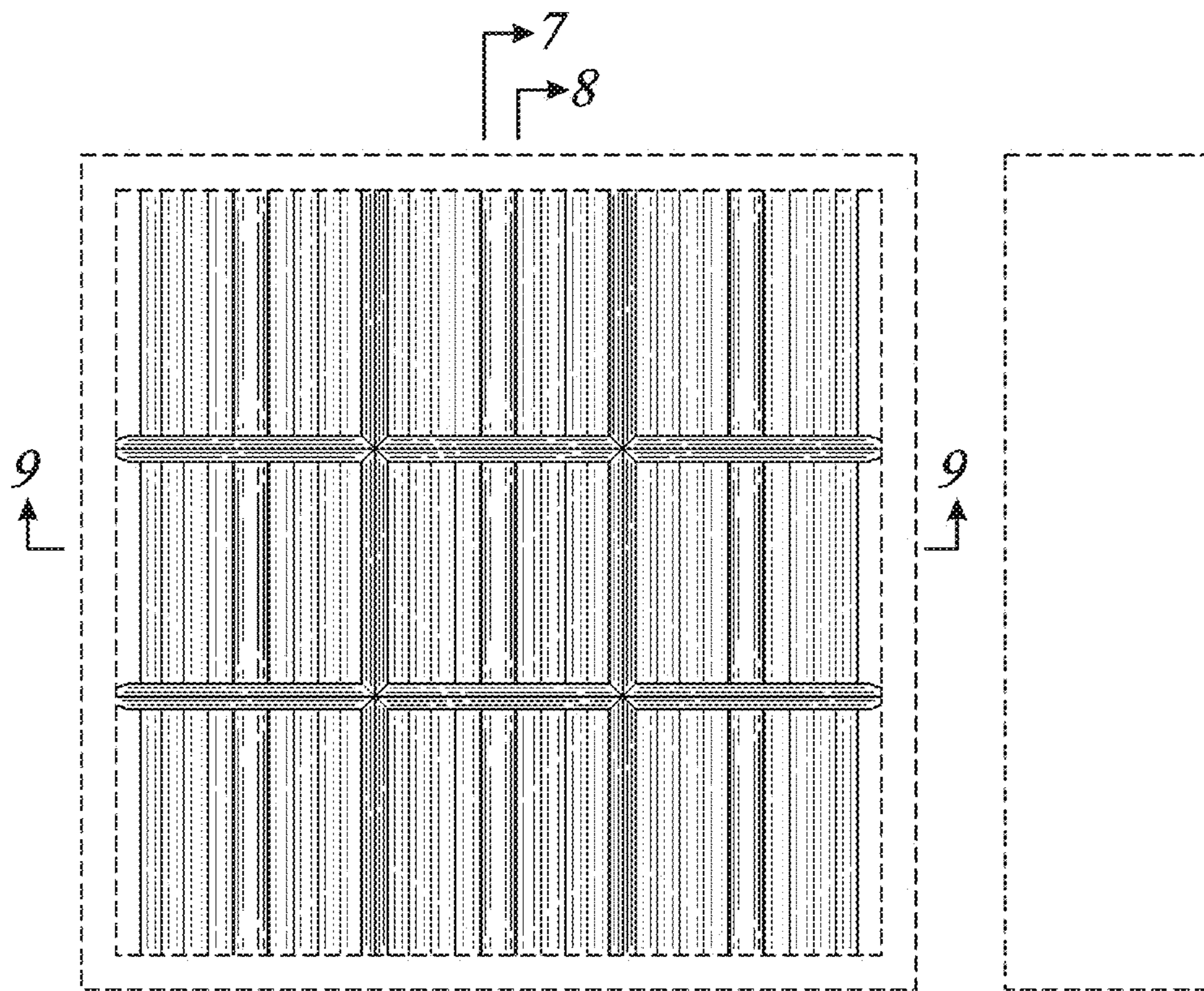


FIG. 3

FIG. 4



FIG. 5

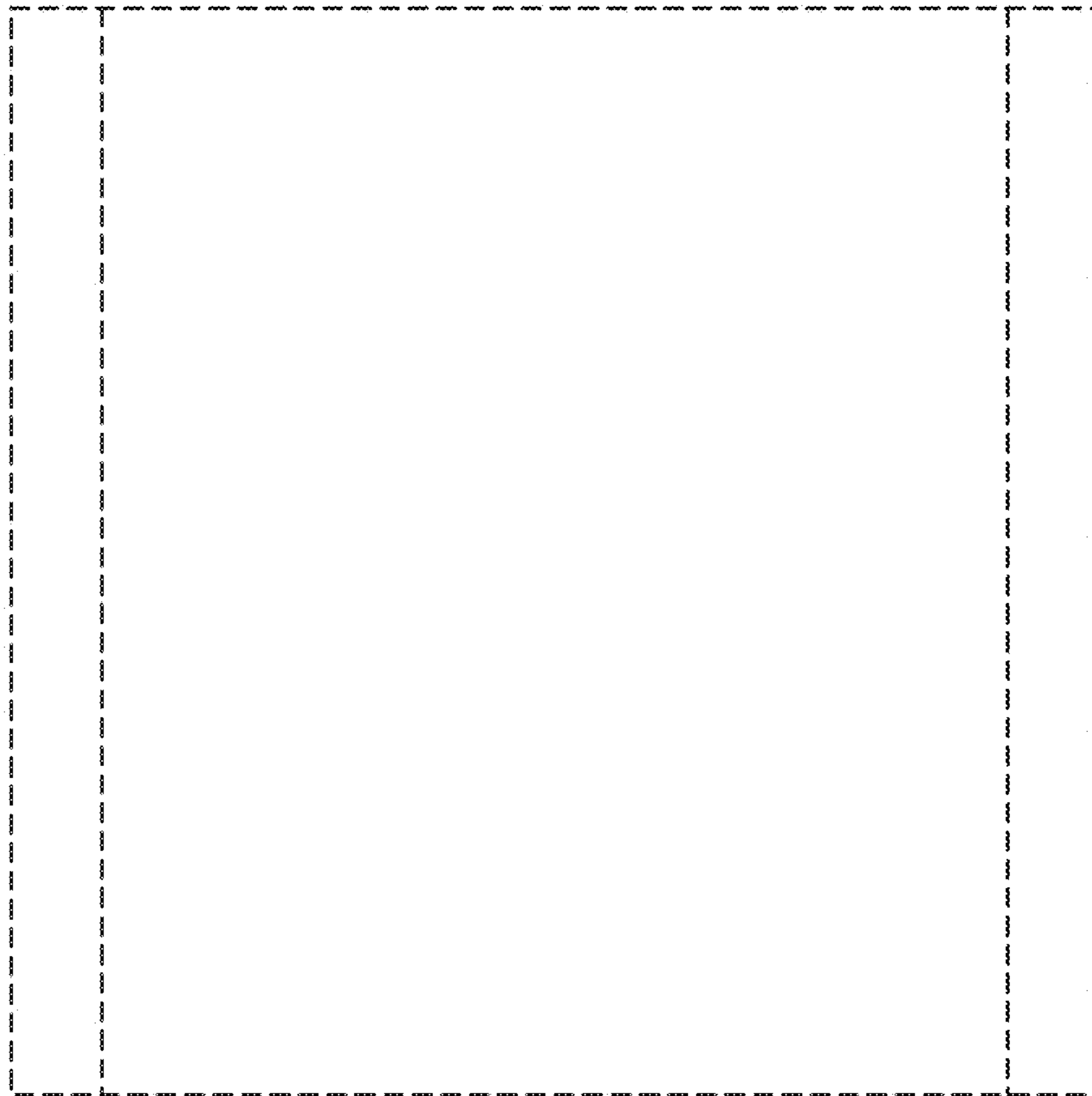


FIG. 6

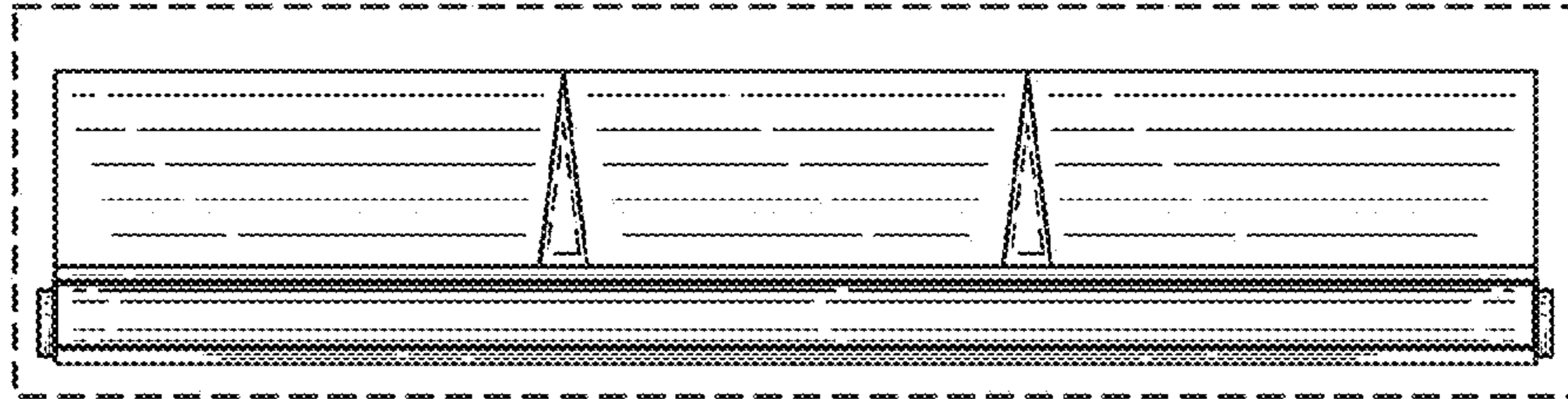


FIG. 7

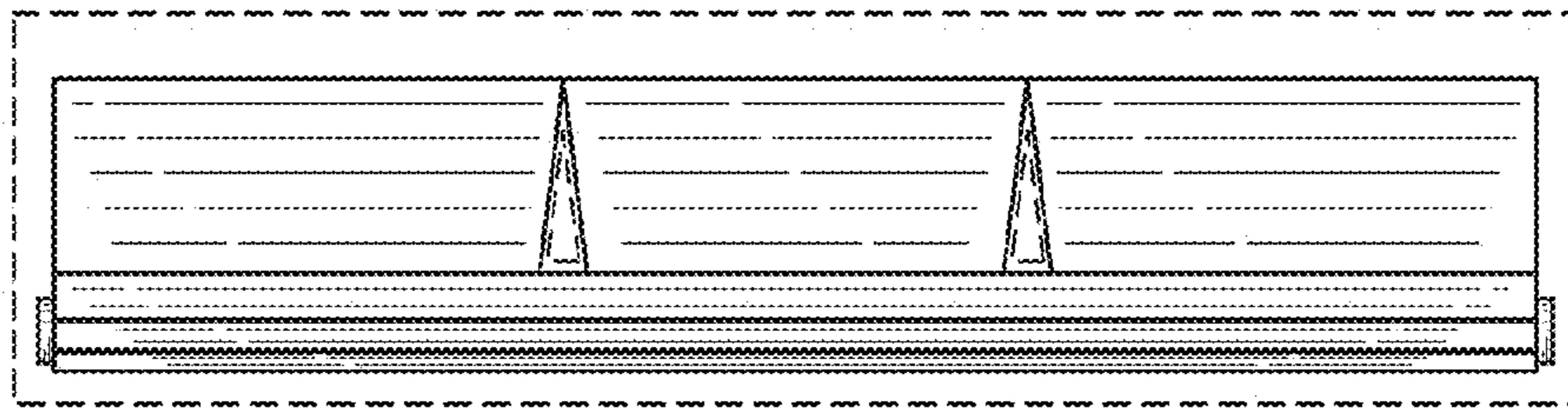


FIG. 8

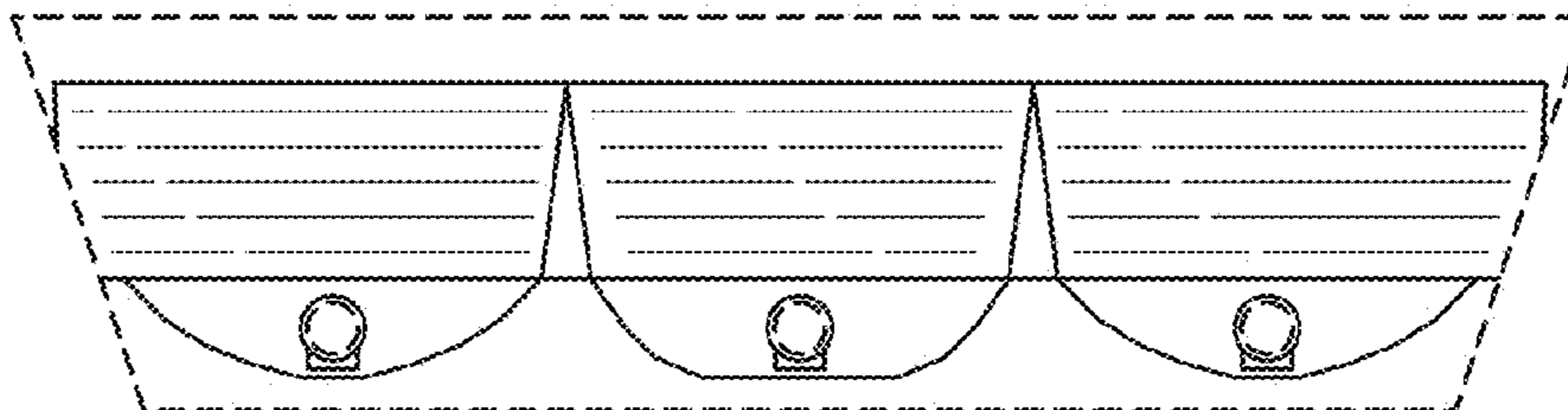


FIG. 9