



US00D740989S

(12) **United States Design Patent**  
**Vasquez et al.**

(10) **Patent No.:** **US D740,989 S**  
(45) **Date of Patent:** **\*\* Oct. 13, 2015**

(54) **PIVOT WORK-LIGHT WITH HOOK**

D673,474 S 1/2013 Di Giovine  
D702,866 S \* 4/2014 Blincoe et al. .... D26/63  
D715,474 S \* 10/2014 Janos et al. .... D26/63

(71) Applicants: **Robert Vasquez**, Chandler, AZ (US);  
**Brian Freeland**, Chandler, AZ (US)

\* cited by examiner

(72) Inventors: **Robert Vasquez**, Chandler, AZ (US);  
**Brian Freeland**, Chandler, AZ (US)

*Primary Examiner* — Brian N Vinson  
(74) *Attorney, Agent, or Firm* — Bachman & LaPointe, PC

(73) Assignee: **Ullman Devices Corporation**,  
Ridgefield, CT (US)

(57) **CLAIM**  
The ornamental design for a pivot work-light with hook, as shown and described.

(\*\*) Term: **14 Years**

**DESCRIPTION**

(21) Appl. No.: **29/464,423**

FIG. 1 is a perspective view of a pivot work-light with hook in a closed position, showing my new design.

(22) Filed: **Aug. 16, 2013**

FIG. 2 is a front view of the pivot work-light with hook in the closed position of FIG. 1;

(51) **LOC (10) Cl.** ..... **26-03**

FIG. 3 is a back view of the pivot work-light with hook in the closed position of FIG. 1;

(52) **U.S. Cl.**

USPC ..... **D26/63**

FIG. 4 is a right-side view of the pivot work-light with hook in the closed position of FIG. 1;

(58) **Field of Classification Search**

USPC ..... D26/1, 24, 61, 63, 65, 37

CPC ..... F21V 21/14; F21V 15/01; F21V 14/02;

F21V 21/30; F21V 21/00; F21V 14/00;

F21S 8/00; F21S 8/003; F21S 8/043; F21Y

2105/001

See application file for complete search history.

FIG. 5 is a left-side view of the pivot work-light with hook in the closed position of FIG. 1;

FIG. 6 is a top view of the pivot work-light with hook in the closed position of FIG. 1;

FIG. 7 is a bottom view of the pivot work-light with hook in the closed position of FIG. 1;

FIG. 8 is a perspective view of the pivot work-light with hook of FIG. 1 in an open position;

FIG. 9 is a front view of the pivot work-light with hook in the open position of FIG. 8;

FIG. 10 is a right-side view of the pivot work-light with hook in the open position of FIG. 8; and,

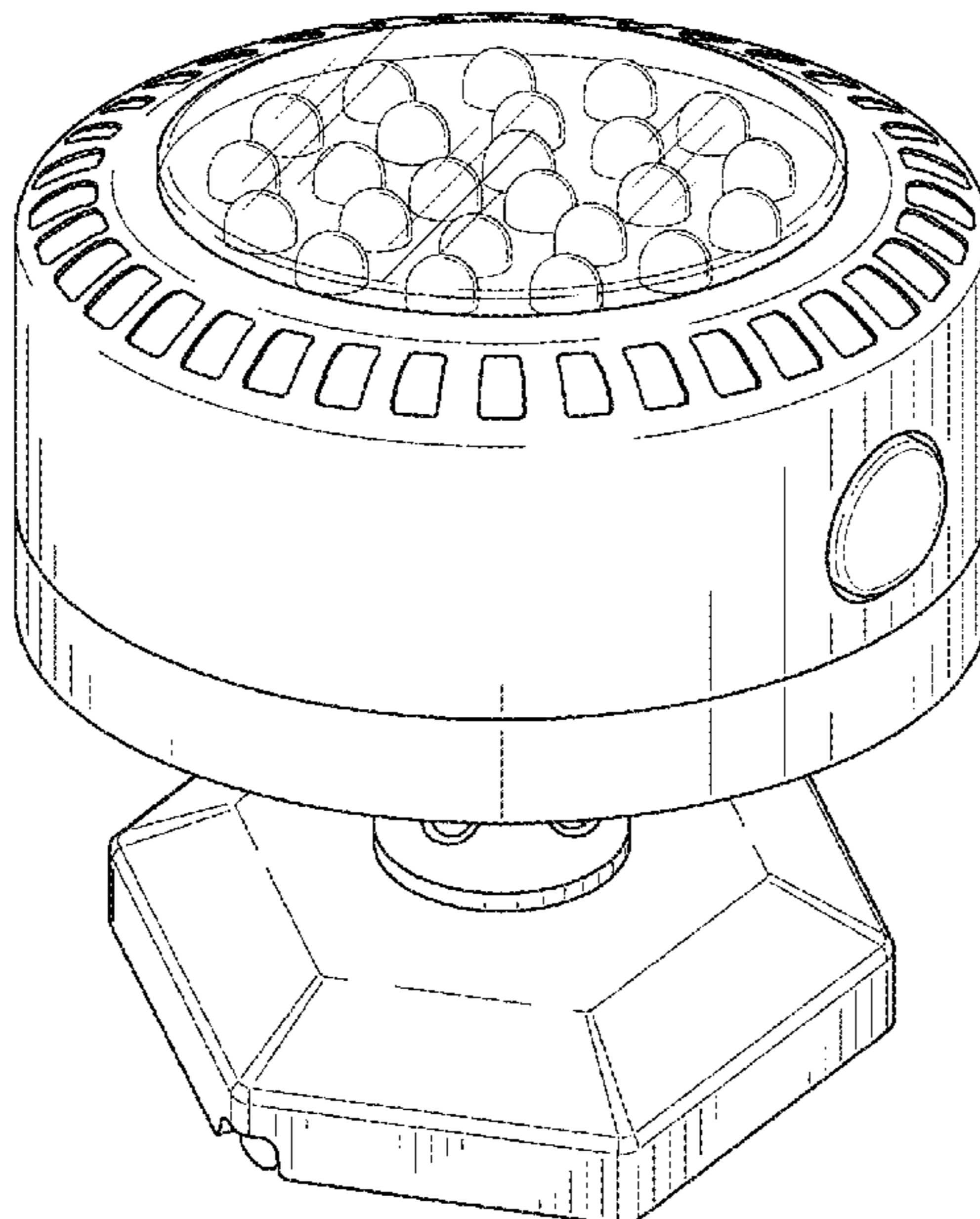
FIG. 11 is a bottom view of the pivot work-light with hook in the open position of FIG. 8.

(56) **References Cited**

**U.S. PATENT DOCUMENTS**

D407,518 S *	3/1999	Yeh	.....	D26/63
D617,931 S *	6/2010	Chen	.....	D26/63
D651,731 S	1/2012	Xu		
D654,616 S	2/2012	Mechanic		
D655,841 S *	3/2012	Coleman, Jr.	.....	D26/63
D664,285 S *	7/2012	Toft	.....	D26/63

**1 Claim, 5 Drawing Sheets**



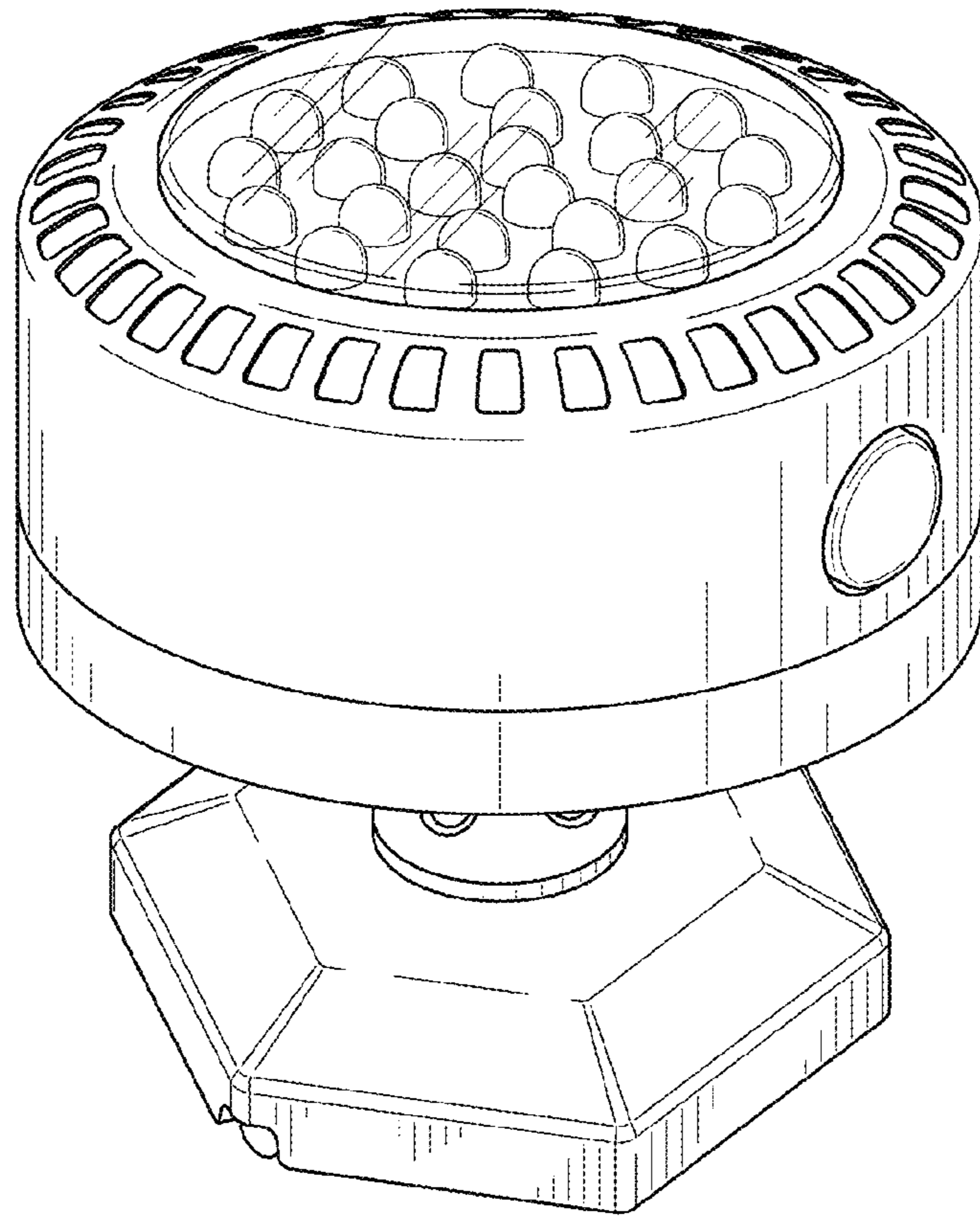


FIG. 1

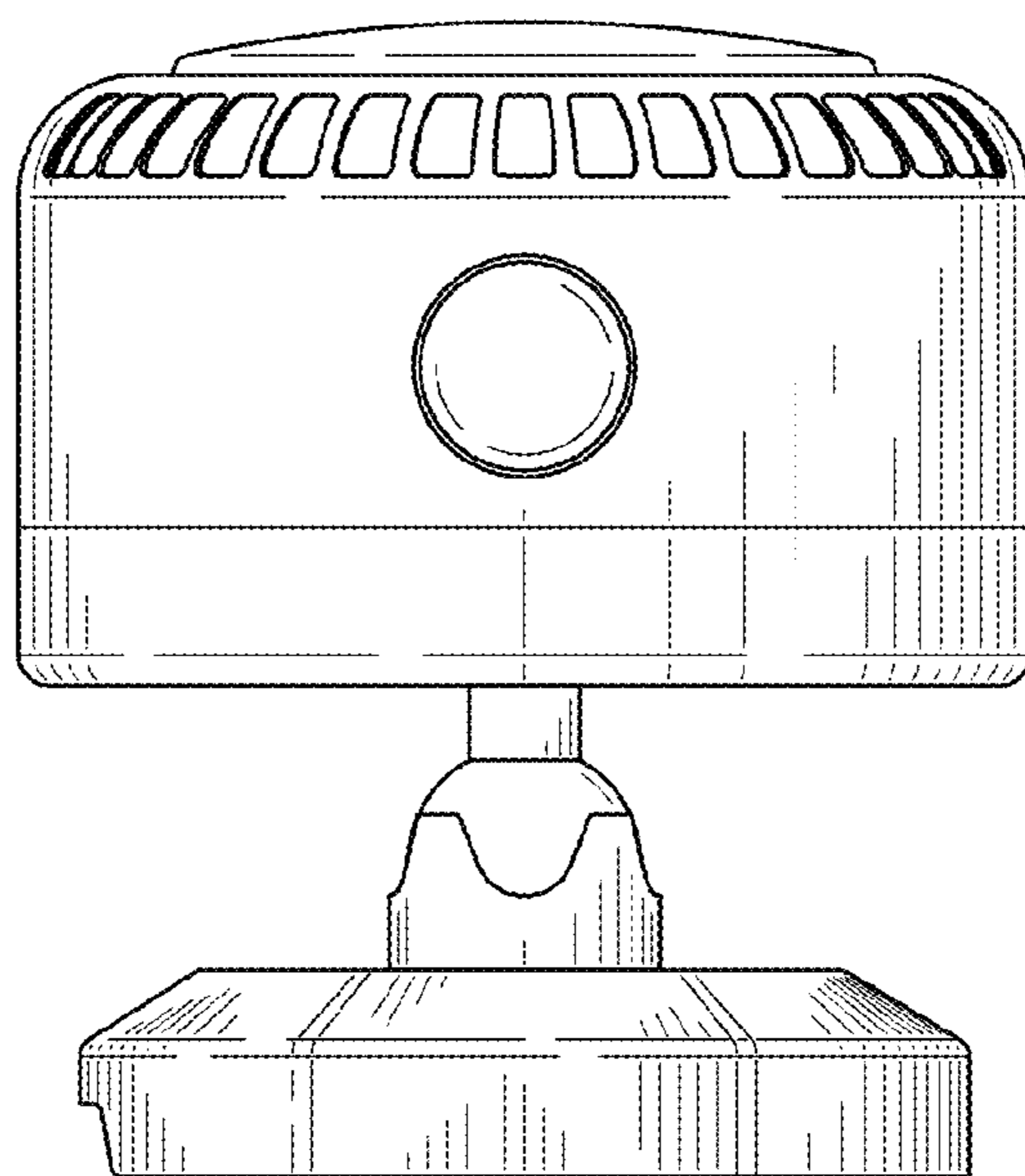


FIG. 2

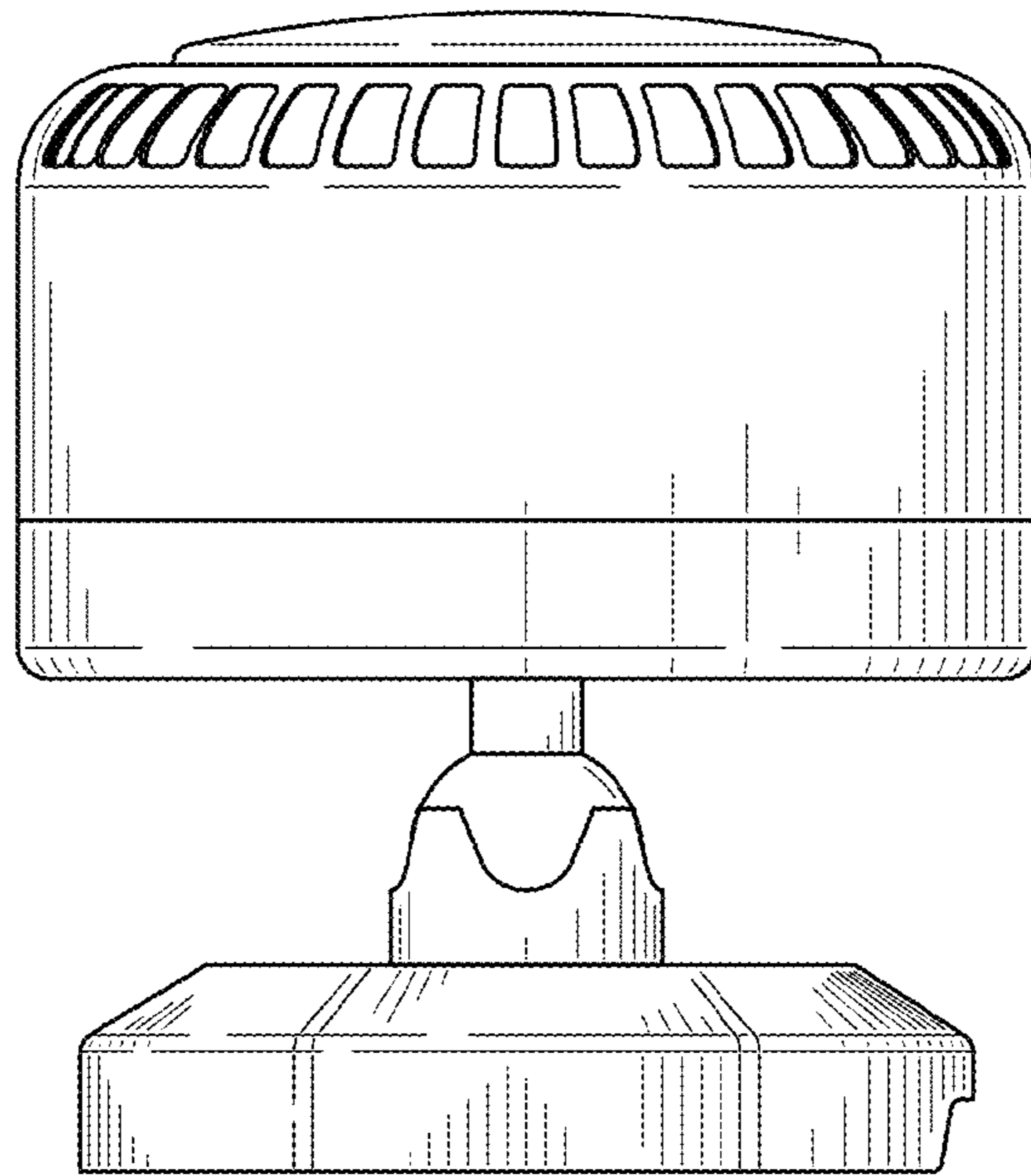


FIG. 3

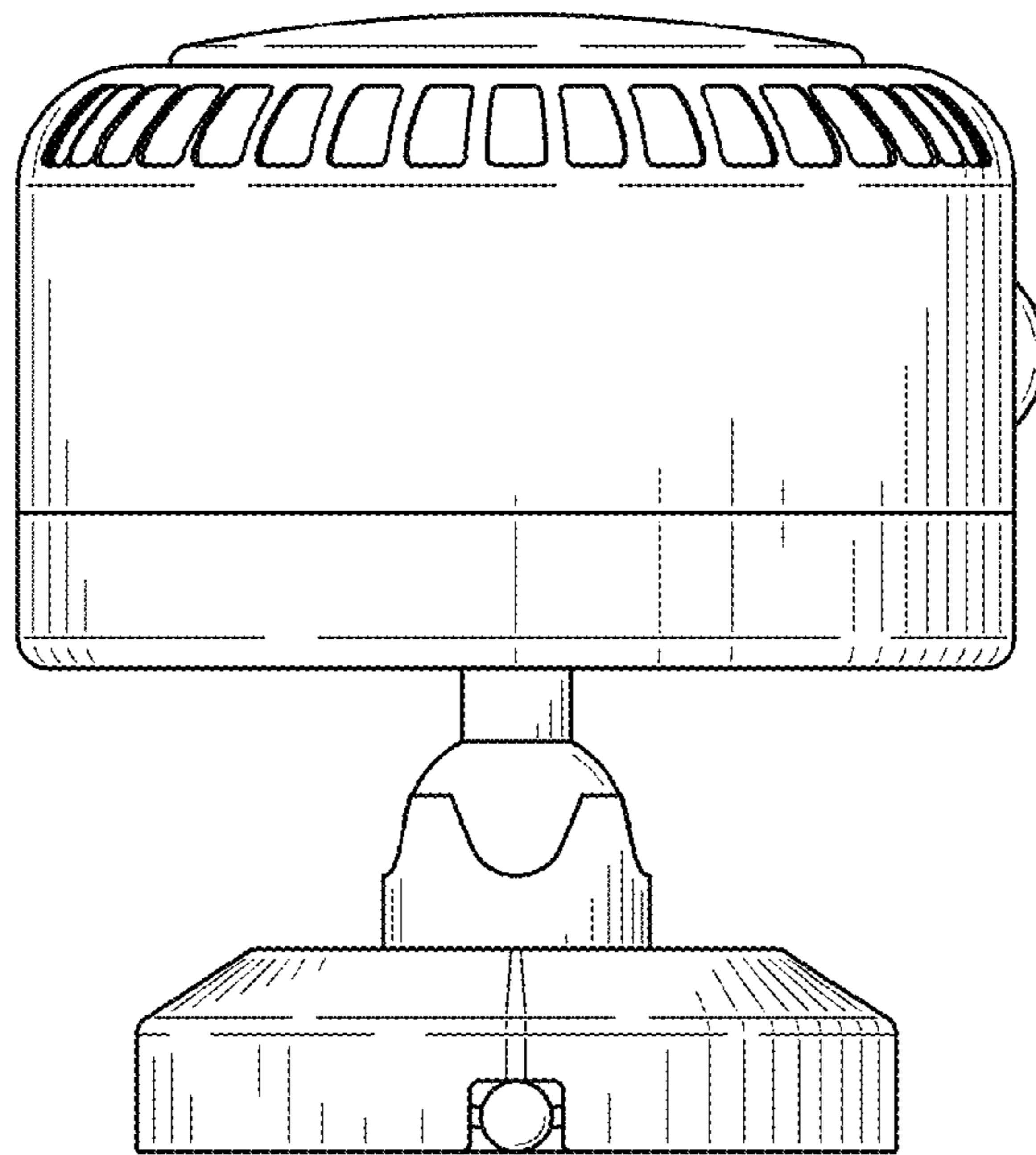


FIG. 4

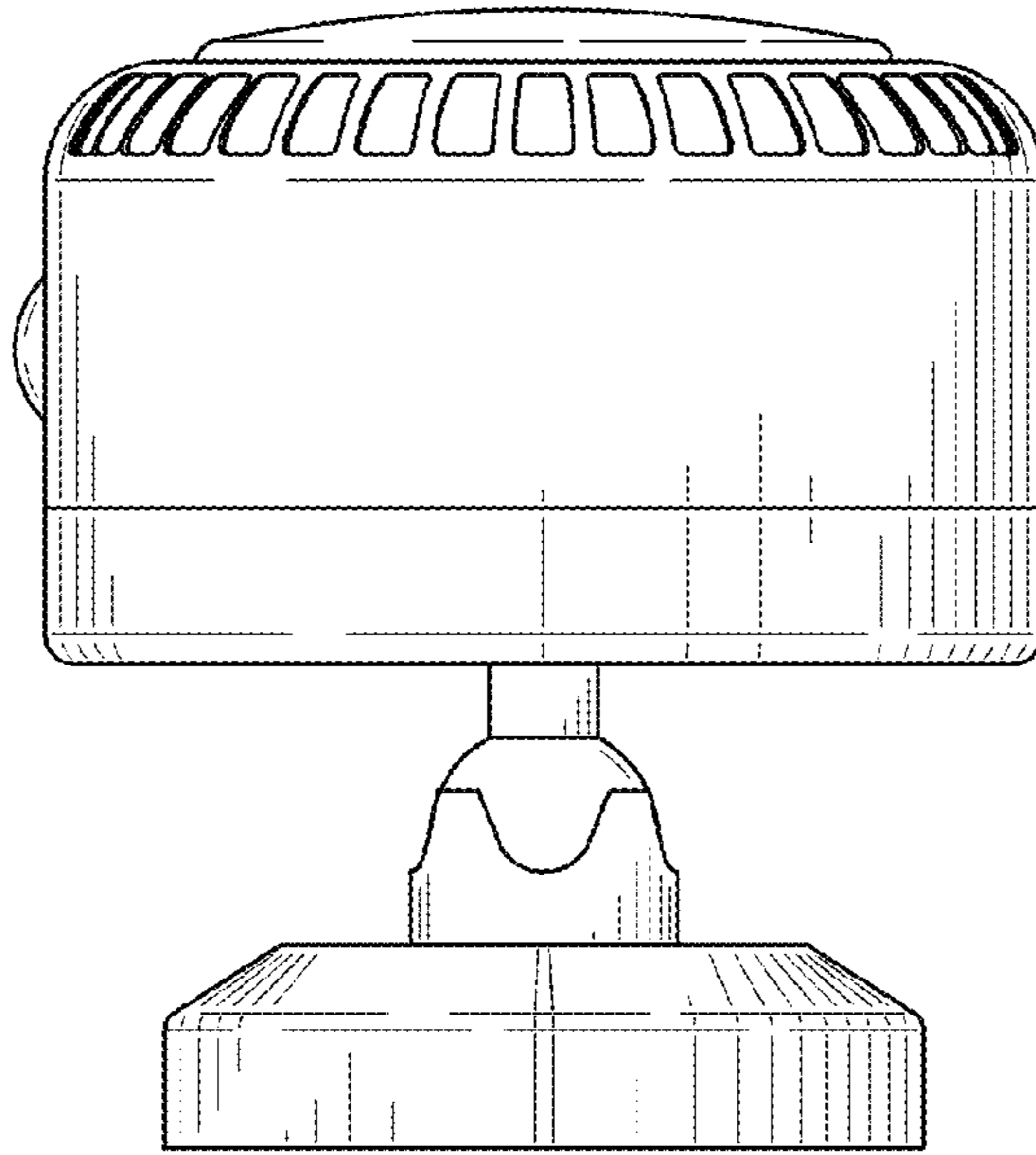


FIG. 5

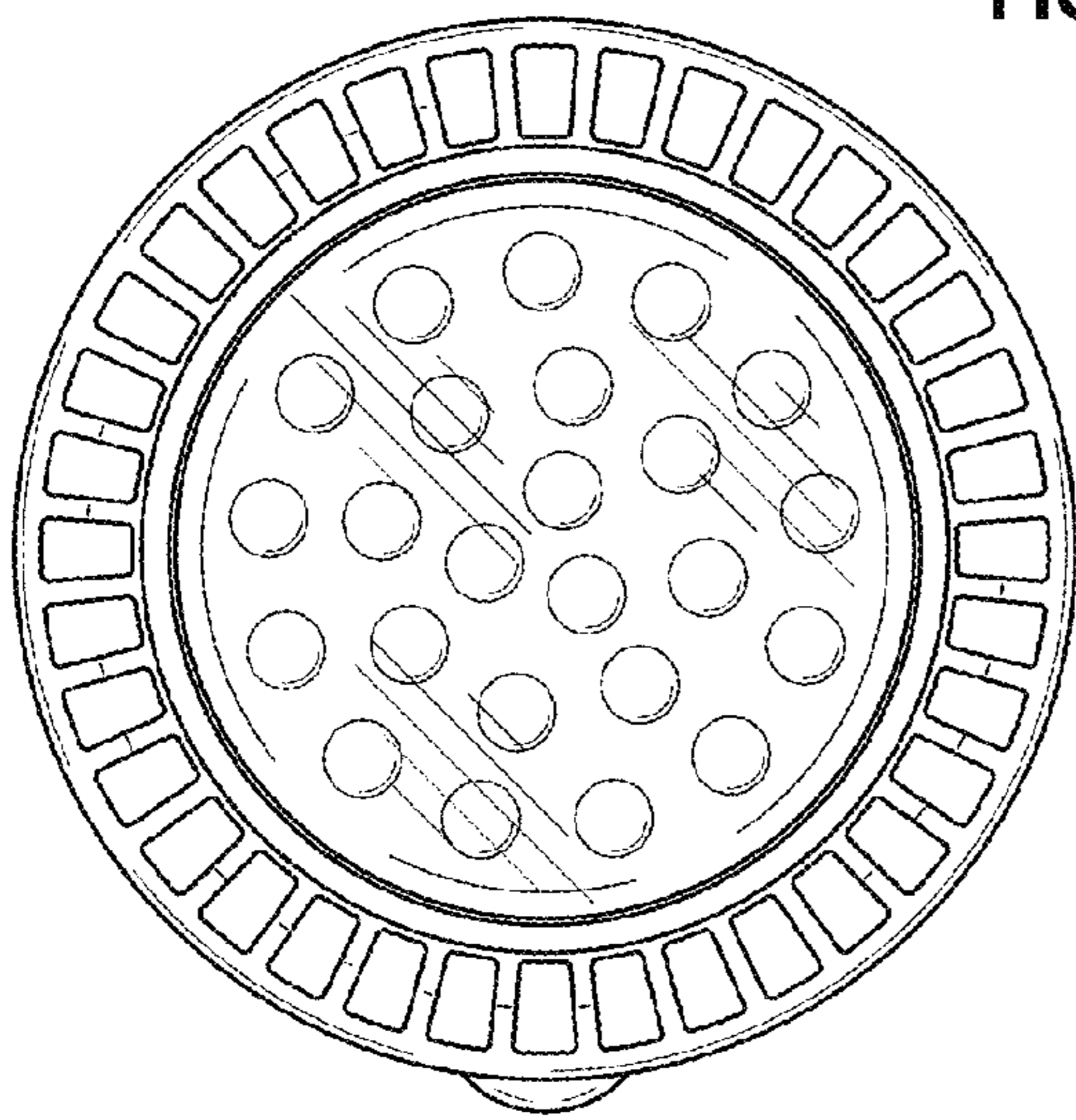


FIG. 6

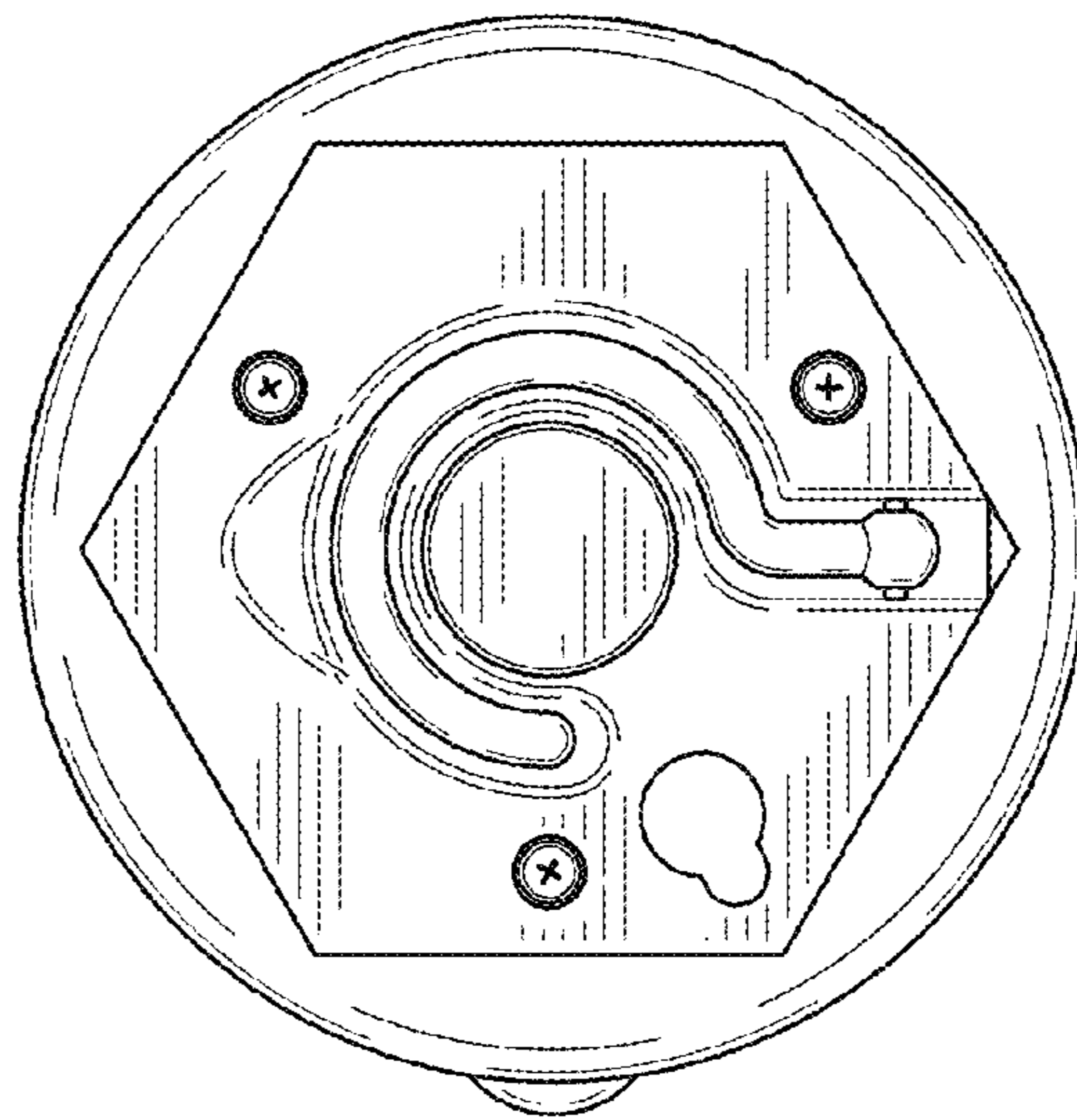


FIG. 7

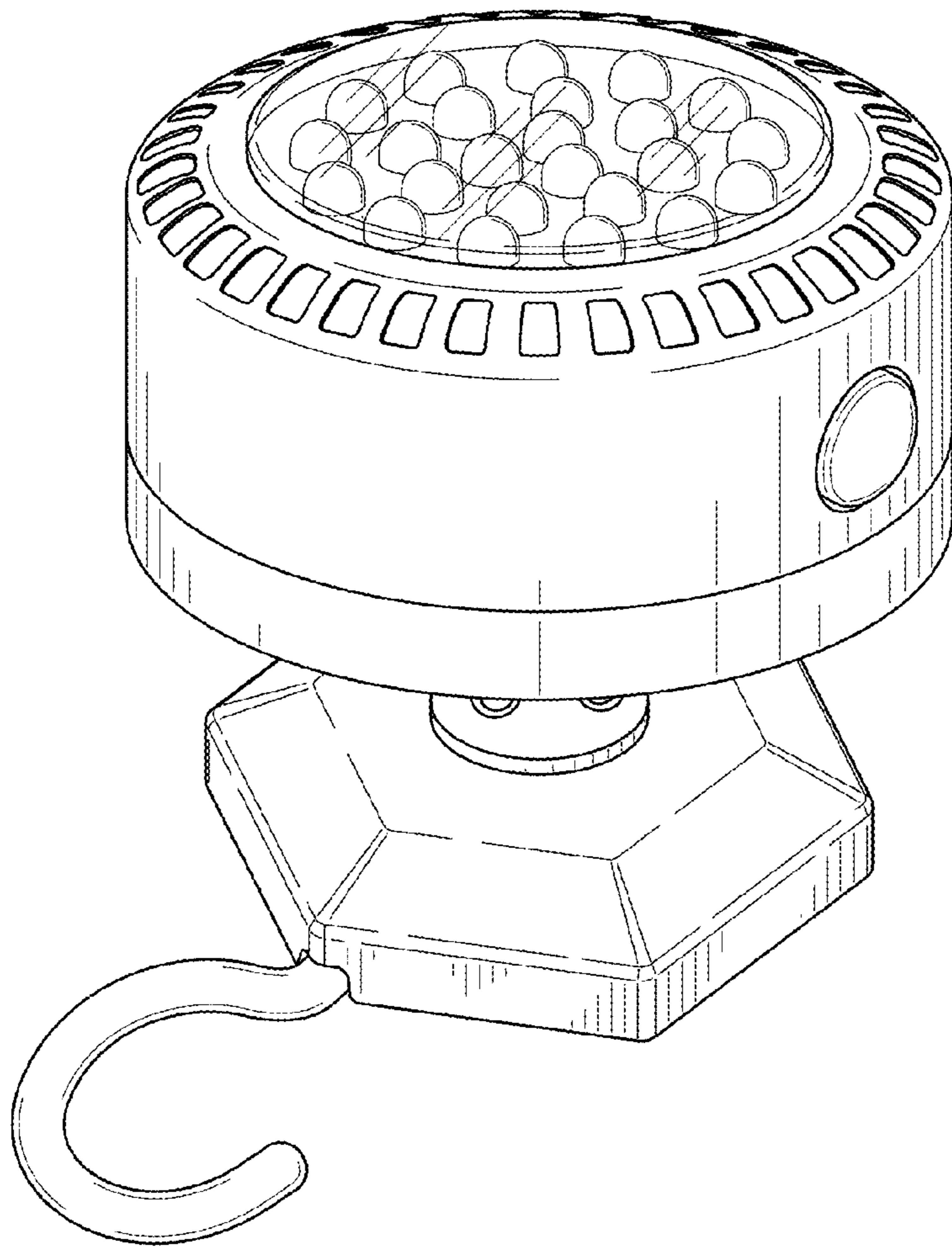


FIG. 8

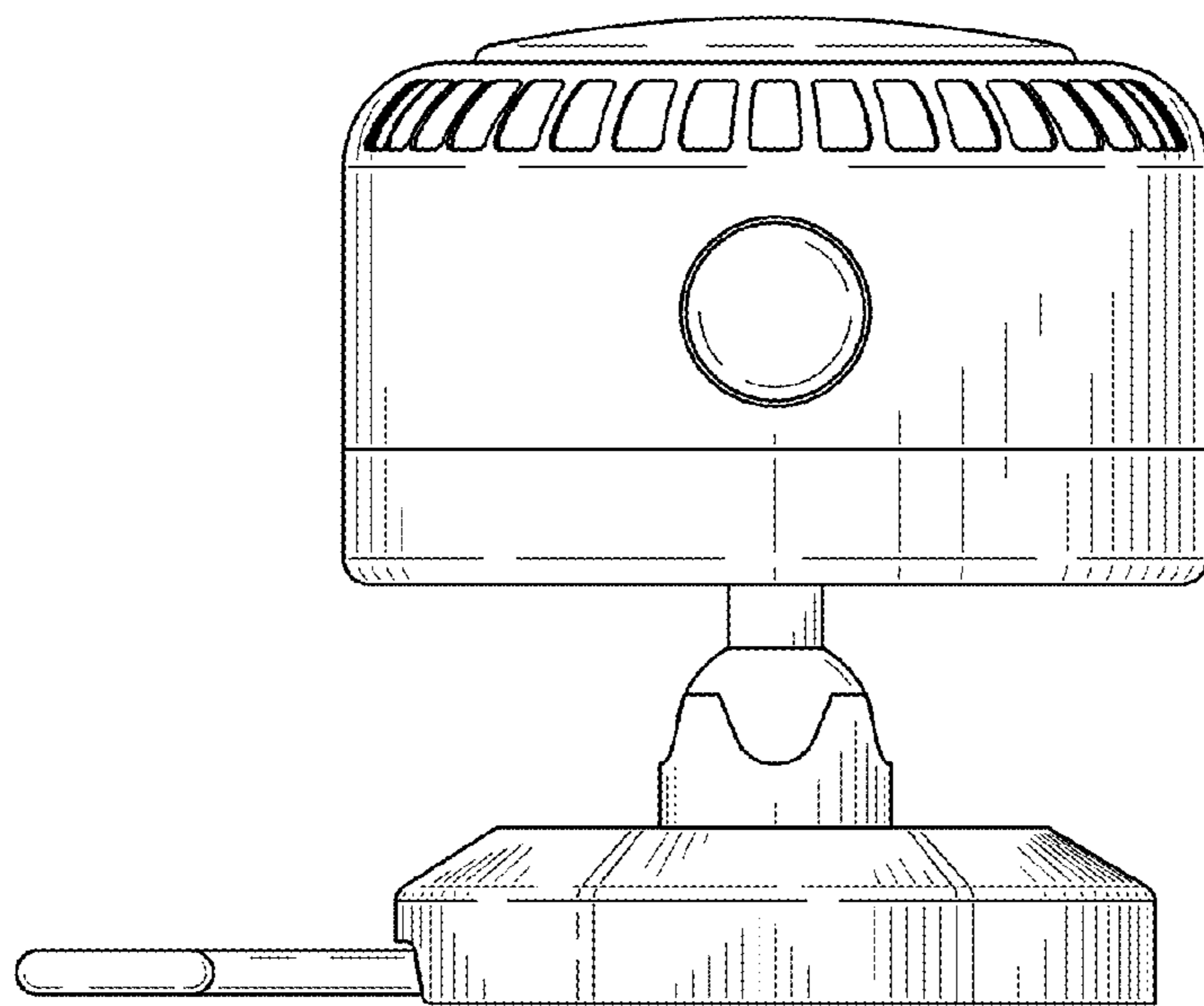


FIG. 9

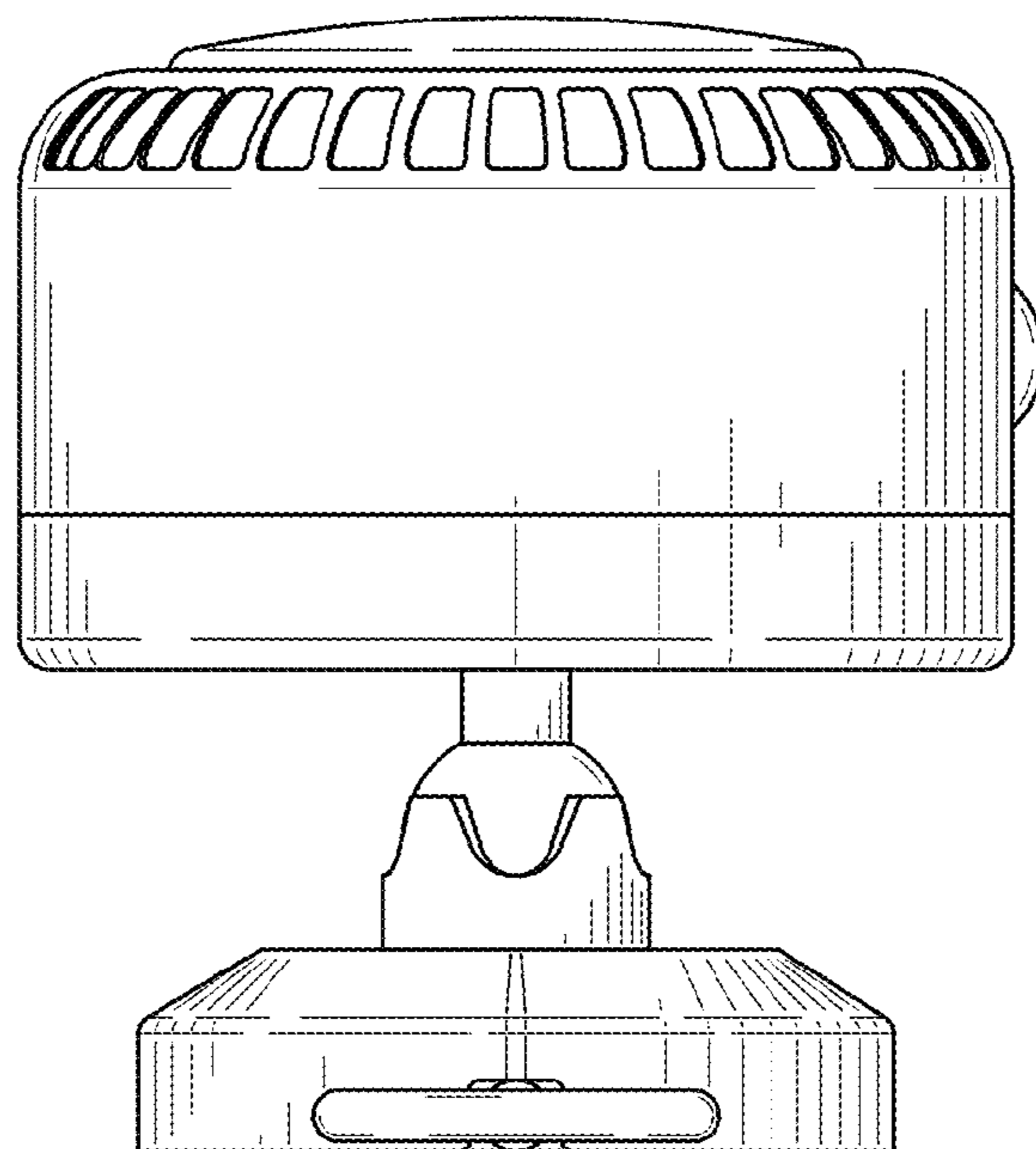


FIG. 10

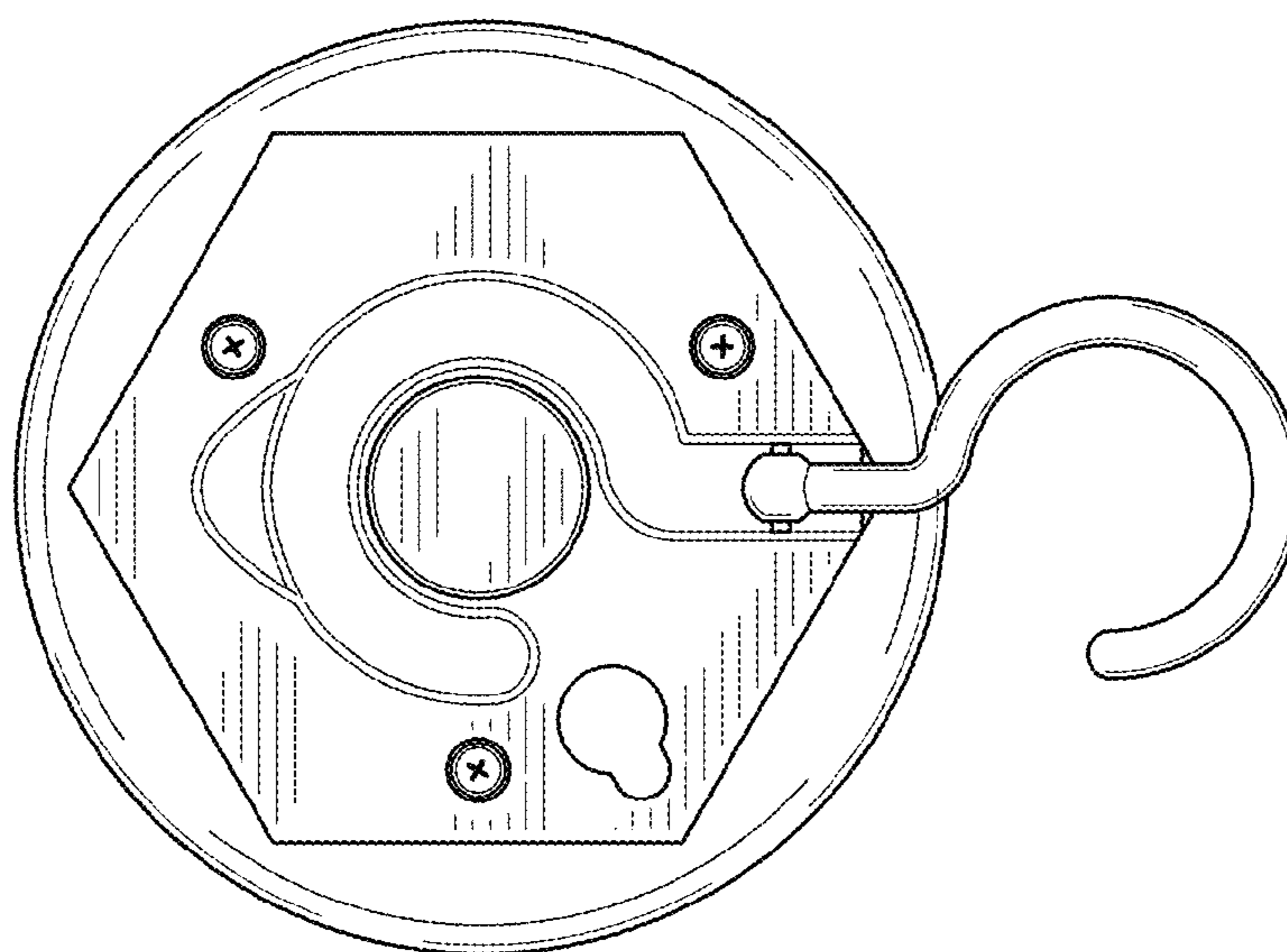


FIG. 11