



US00D740987S

(12) **United States Design Patent**
Keeley

(10) **Patent No.:** **US D740,987 S**

(45) **Date of Patent:** **** Oct. 13, 2015**

(54) **PORTABLE LIGHT**

(71) Applicant: **Streamlight, Inc.**, Eagleville, PA (US)

(72) Inventor: **Donald J. Keeley**, Emmaus, PA (US)

(73) Assignee: **Streamlight, Inc.**, Eagleville, PA (US)

(**) Term: **14 Years**

(21) Appl. No.: **29/433,514**

(22) Filed: **Oct. 1, 2012**

(51) **LOC (10) Cl.** **26-02**

(52) **U.S. Cl.**
USPC **D26/49**

(58) **Field of Classification Search**

USPC D26/46, 49, 37, 38; 362/157, 158, 183,
362/184, 194-196, 202-208, 253
CPC F21V 33/00; F21V 14/025; F21V 21/406;
F21Y 2101/02; F21L 17/00; F21L 13/08
See application file for complete search history.

(56) **References Cited**

U.S. PATENT DOCUMENTS

4,415,954	A *	11/1983	Schaefer	362/202
4,658,336	A *	4/1987	Maglica	362/197
D307,488	S *	4/1990	Sharrah	D26/49
D322,139	S *	12/1991	Wang	D26/49
D351,675	S	10/1994	Sharrah et al.		
D353,216	S	12/1994	Sharrah et al.		
5,432,689	A	7/1995	Sharrah et al.		
5,653,529	A	8/1997	Spocharski		
D412,590	S *	8/1999	Parsons	D26/49
D421,813	S *	3/2000	Parsons	D26/46
6,318,886	B1	11/2001	Stopa et al.		
D473,332	S *	4/2003	Lam	D26/49
6,853,151	B2	2/2005	Leong et al.		
6,857,756	B2	2/2005	Reiff et al.		

(Continued)

OTHER PUBLICATIONS

TerraLUX, "LED Work Lights", <http://www.terraluxportable.com/products/> . . . , printed Apr. 2, 2012, 10 pages.

Primary Examiner — Ian Simmons

Assistant Examiner — Carissa C Fitts

(74) *Attorney, Agent, or Firm* — Clement A. Berard, Esq.;
Dann, Dorfman, Herrell & Skillman, PC

(57) **CLAIM**

The ornamental design for a portable light, substantially as shown and described.

DESCRIPTION

FIG. 1 is a perspective view of an ornamental design for a portable light;

FIG. 2 is a side view of a first side of the design for a portable light, of which the opposite side is a mirror image;

FIG. 3 is a side view of a second side of the design for a portable light;

FIG. 4 is a side view of a third side of the design for a portable light;

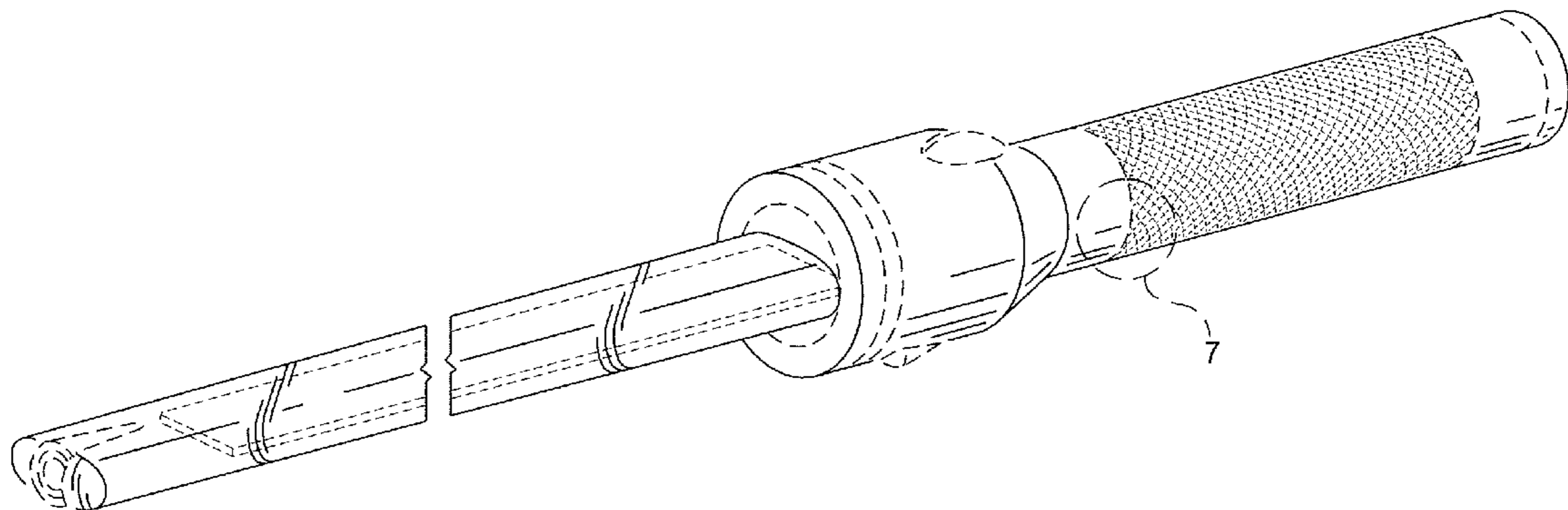
FIG. 5 is a view of a first end of the design for a portable light; and

FIG. 6 is a view of a second end of the design for a portable light; and,

FIG. 7 is an enlarged view of a portion of the cylindrical part of the portable light as indicated by the dashed circle and number "7" in FIG. 1.

The broken lines represent unclaimed portions of the article and form no part of the claimed design. The dashed cross-hatching on the cylindrical portion of the portable light indicates an unclaimed surface feature on the claimed cylindrical surface of the portable light. The portable light is shown with a symbolic break in its length, with the understanding that the portions of the light not shown in the drawings form no part of the claim design.

1 Claim, 4 Drawing Sheets



(56)

References Cited

U.S. PATENT DOCUMENTS

D505,217 S	5/2005	Bayat et al.	7,597,456 B2	10/2009	Catalano et al.
D512,525 S *	12/2005	Yang D26/49	D603,988 S *	11/2009	Sharrah D26/49
D521,168 S *	5/2006	Waters D26/42	7,625,099 B2	12/2009	Newton et al.
D536,812 S	2/2007	Bayat et al.	7,651,240 B2	1/2010	Bayat et al.
7,220,013 B2	5/2007	Sharrah	7,699,494 B2	4/2010	Catalano et al.
7,222,995 B1	5/2007	Bayat et al.	7,745,957 B2	6/2010	Bayat et al.
D551,366 S *	9/2007	Galli D26/37	7,777,430 B2	8/2010	Catalano et al.
7,281,820 B2	10/2007	Bayat et al.	D629,544 S *	12/2010	Deguglimo et al. D26/49
7,296,913 B2	11/2007	Catalano et al.	7,891,833 B2	2/2011	Sharrah
7,300,173 B2	11/2007	Catalano et al.	D637,749 S	5/2011	Bayat et al.
7,318,661 B2	1/2008	Catalano	D638,560 S *	5/2011	Steenstra D26/38
7,334,918 B2	2/2008	Newton et al.	7,946,730 B2	5/2011	Catalano et al.
7,338,189 B2	3/2008	Kovacik et al.	8,033,682 B2	10/2011	Catalano et al.
7,402,961 B2	7/2008	Bayat et al.	D668,804 S *	10/2012	Maglica D26/49
D574,741 S *	8/2008	Gadsden D10/114.9	D672,894 S *	12/2012	Bayat et al. D26/42
7,448,770 B2	11/2008	Catalano et al.	D683,877 S *	6/2013	Brands et al. D26/49
7,492,063 B2	2/2009	Bayat et al.	2005/0007778 A1	1/2005	Lin
			2007/0253194 A1	11/2007	Sharrah et al.
			2009/0290335 A1	11/2009	Levine
			2013/0182419 A1	7/2013	Worman

* cited by examiner

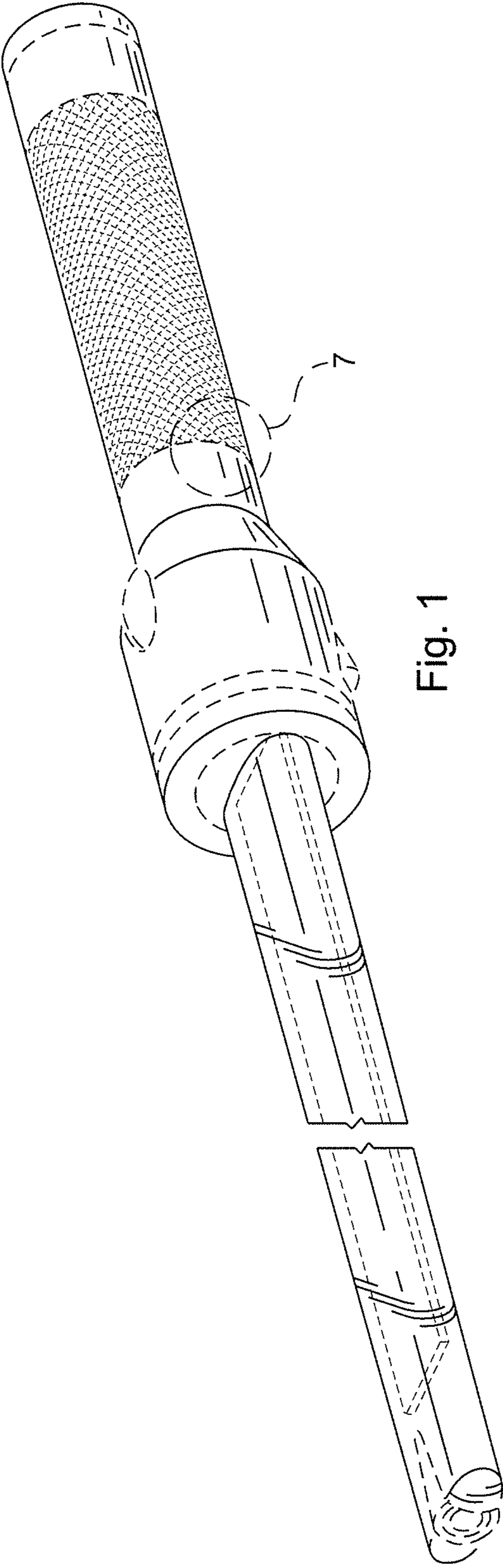


Fig. 1

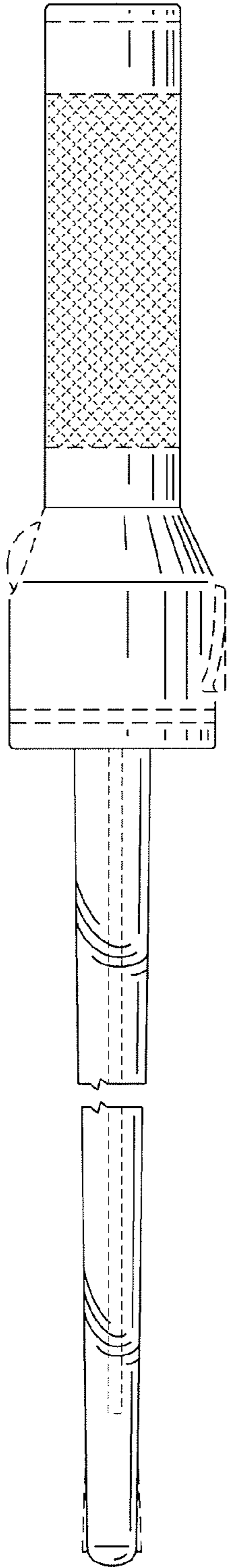


Fig. 2

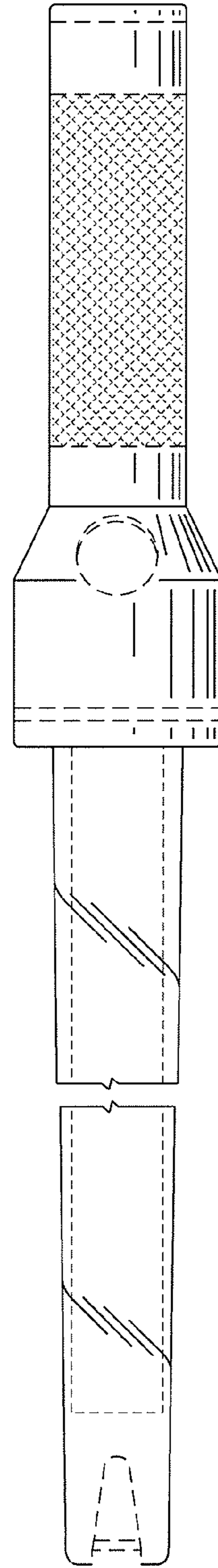


Fig. 3

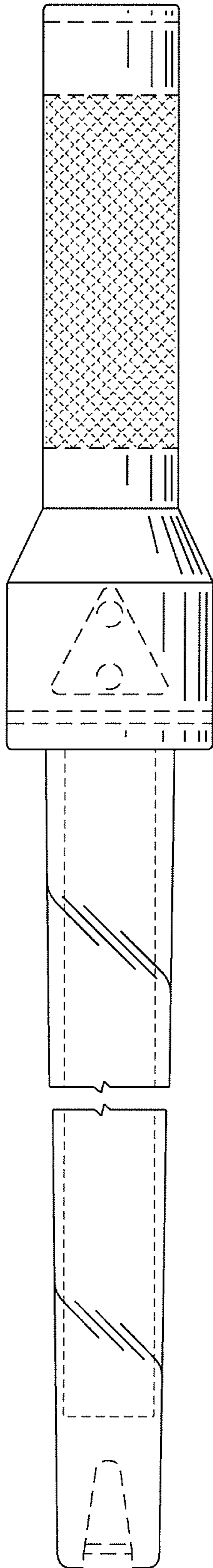


Fig. 4

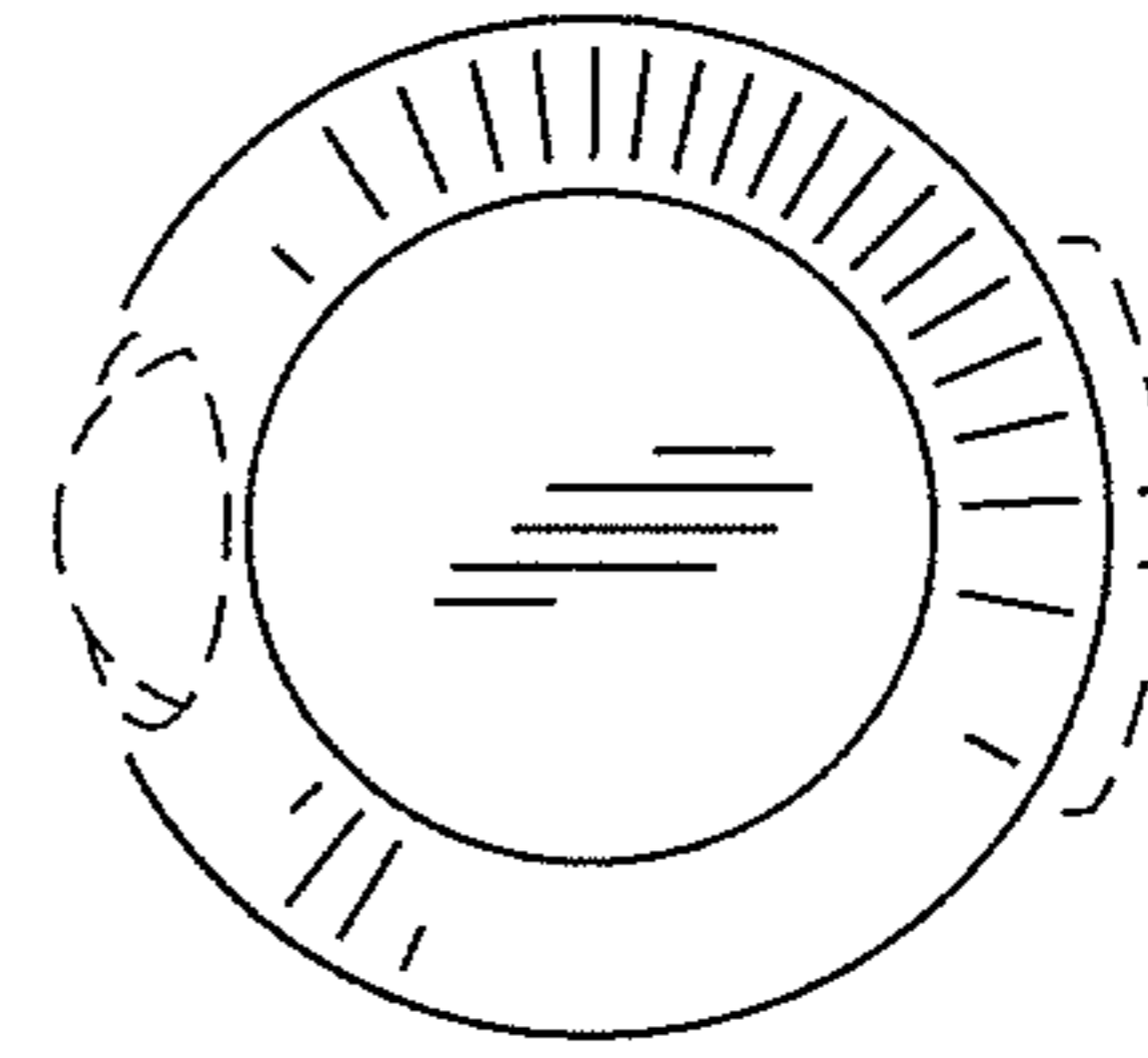


Fig. 6

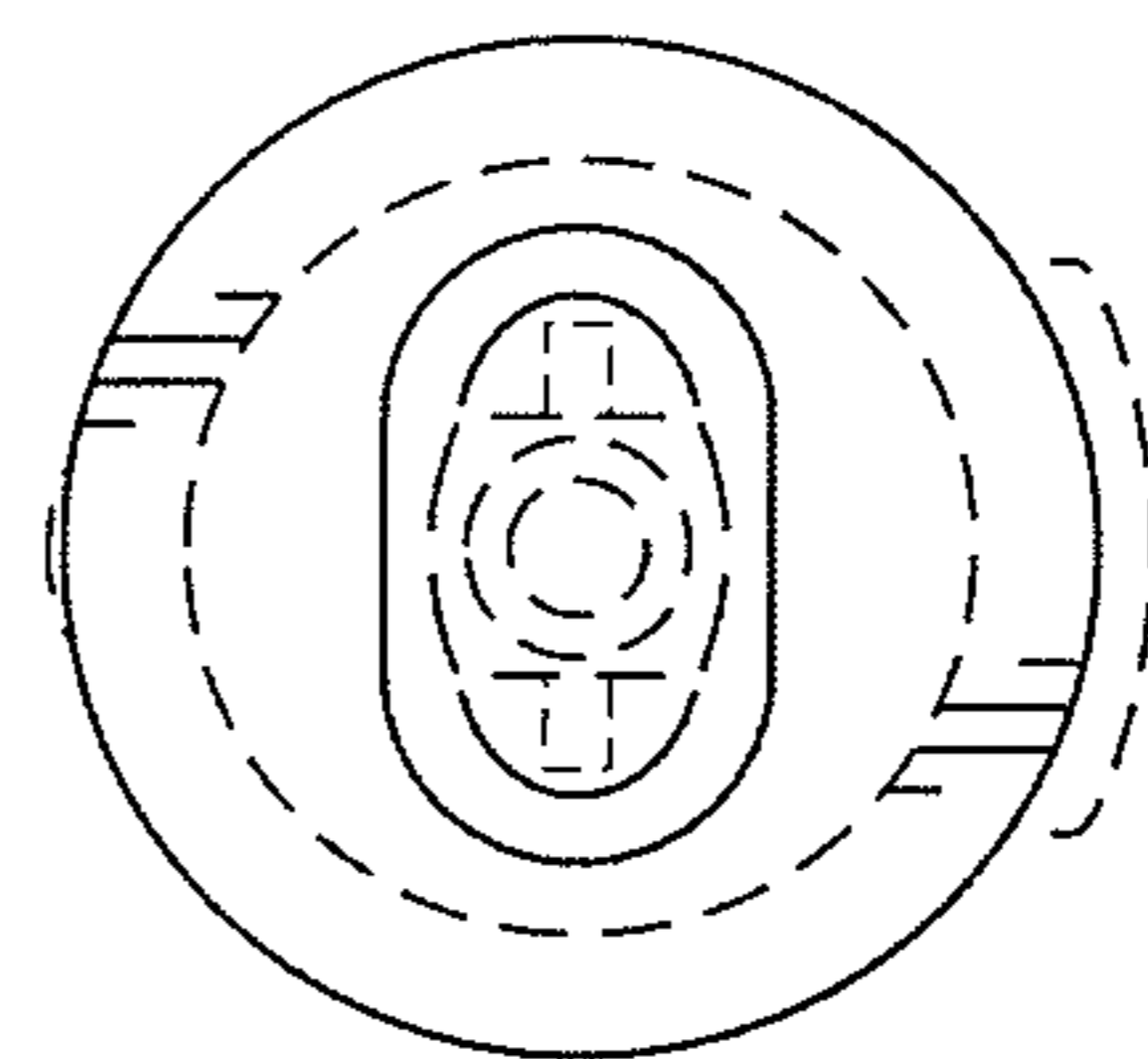


Fig. 5

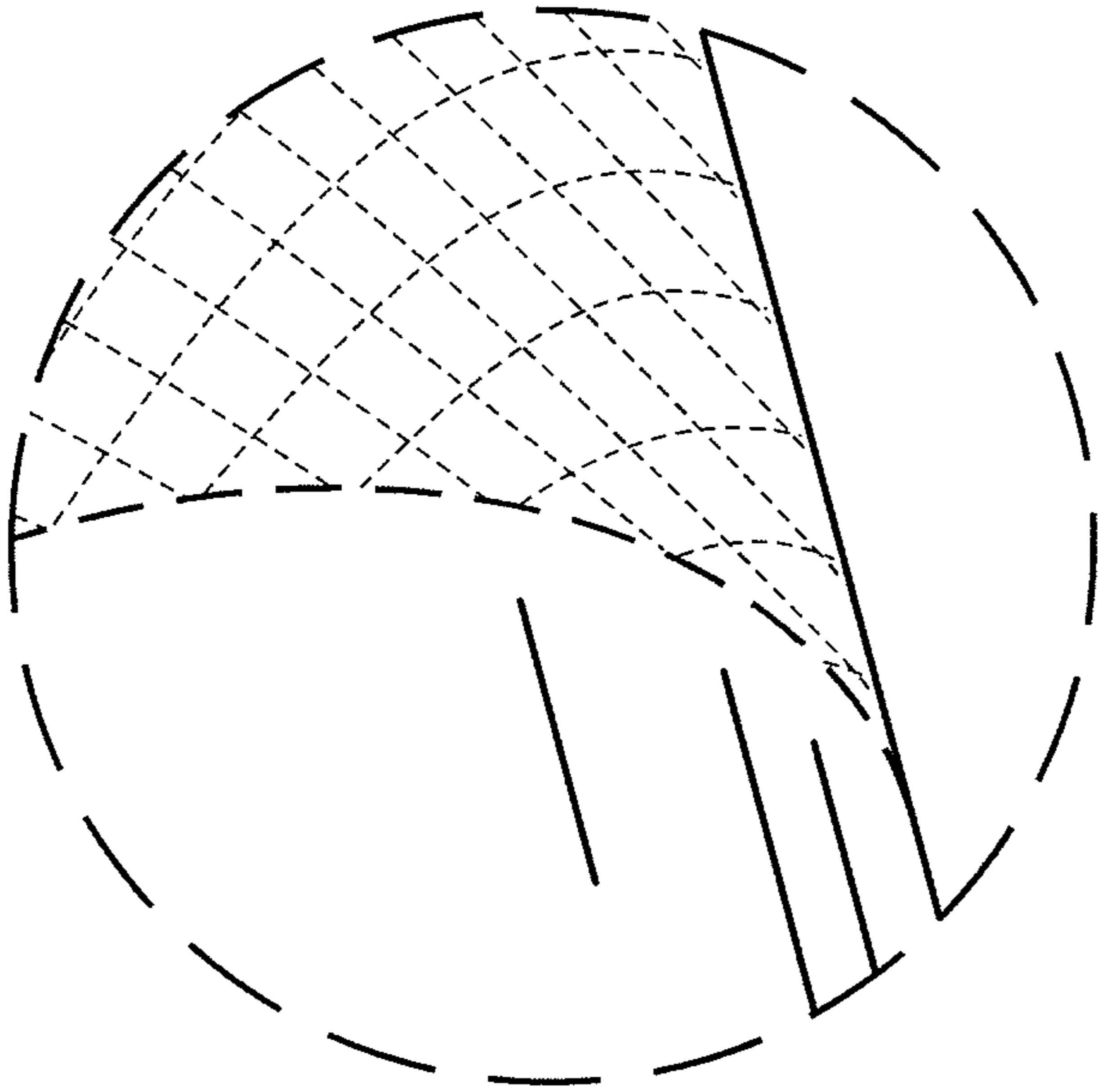


Fig. 7