

US00D740986S

(12) **United States Design Patent**
Hine et al.

(10) **Patent No.:** **US D740,986 S**

(45) **Date of Patent:** **** *Oct. 13, 2015**

(54) **LIGHTING DEVICE**

(71) Applicant: **Eveready Battery Company, Inc.**, St. Louis, MO (US)

(72) Inventors: **David J. Hine**, Skaneateles, NY (US);
Scott W. Osiecki, Skaneateles, NY (US)

(73) Assignee: **Eveready Battery Company, Inc.**, St. Louis, MO (US)

(*) Notice: This patent is subject to a terminal disclaimer.

(**) Term: **14 Years**

(21) Appl. No.: **29/469,173**

(22) Filed: **Oct. 8, 2013**

(51) **LOC (10) Cl.** **26-02**

(52) **U.S. Cl.**
USPC **D26/46**

(58) **Field of Classification Search**
USPC D26/37, 40, 41, 46, 49, 38, 51;
362/157, 158, 183, 184, 194-196,
362/200-208, 253
See application file for complete search history.

(56) **References Cited**

U.S. PATENT DOCUMENTS

D481,482 S * 10/2003 Mah D26/37
D496,481 S * 9/2004 Wiesmeth D26/49

D502,564 S * 3/2005 Dalton et al. D26/49
D514,721 S * 2/2006 Osiecki et al. D26/44
D536,464 S * 2/2007 Kingston et al. D26/43
D562,480 S * 2/2008 Spartano et al. D26/46
D617,023 S * 6/2010 Rugendyke et al. D26/46
D620,163 S * 7/2010 Kang et al. D26/49
D641,509 S * 7/2011 Wang D26/46
D687,993 S * 8/2013 Yeh D26/46
D690,448 S * 9/2013 Yeh D26/46
D707,869 S * 6/2014 Wu D26/46
D713,079 S * 9/2014 Zhenmei et al. D26/46

* cited by examiner

Primary Examiner — Ian Simmons

Assistant Examiner — Carissa C Fitts

(74) *Attorney, Agent, or Firm* — Russell H. Toye

(57) **CLAIM**

The ornamental design for a lighting device, as shown and described.

DESCRIPTION

FIG. 1 is a top perspective view of a lighting device showing my design;

FIG. 2 is a bottom perspective view of the design.

FIG. 3 is a left side view of the design.

FIG. 4 is a right side view of the design.

FIG. 5 is a top view of the design.

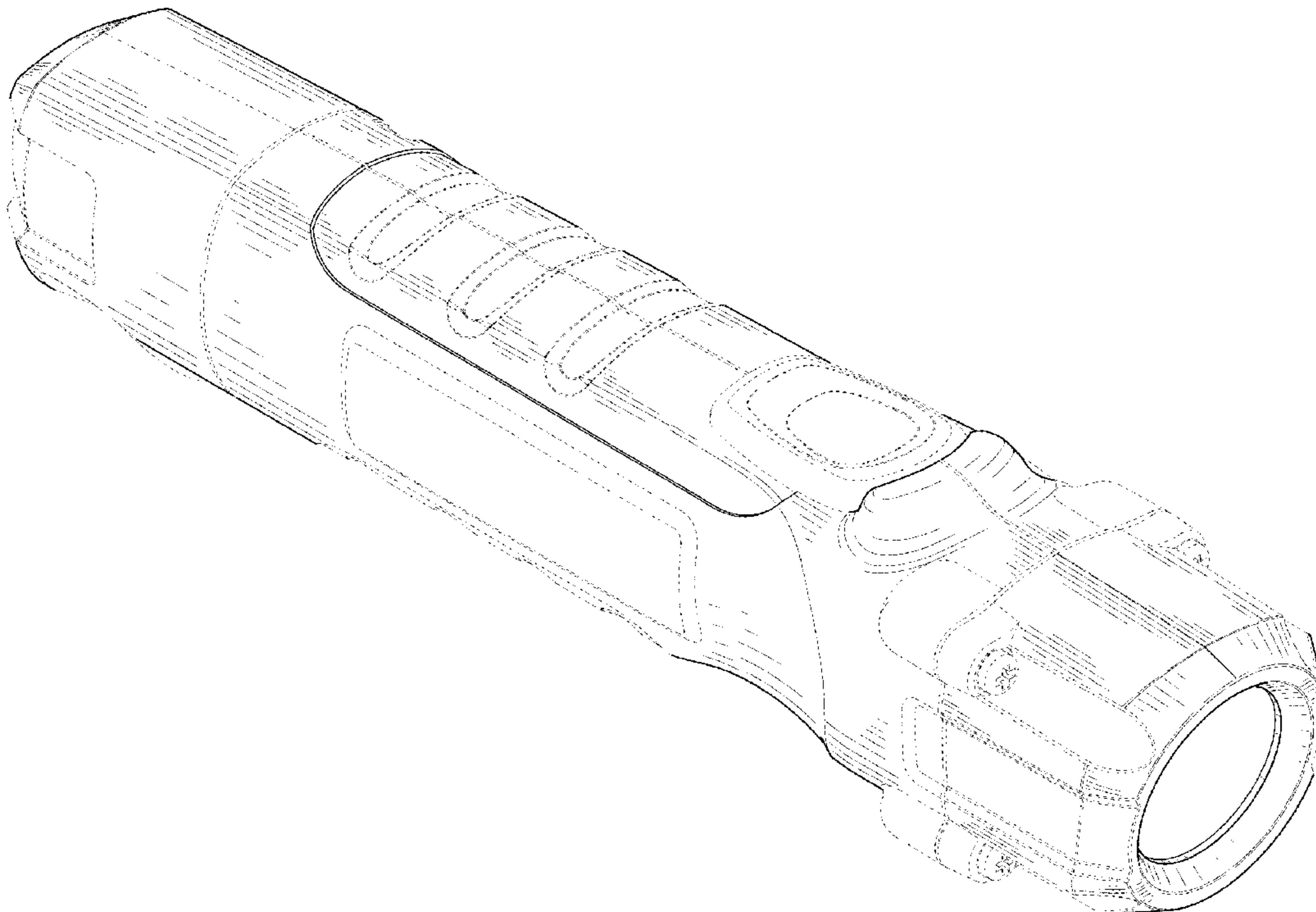
FIG. 6 is a bottom view of the design.

FIG. 7 is a front view of the design; and,

FIG. 8 is a rear view of the design.

Any broken line(s) shown are for illustrative purposes only and form no part of the claimed design.

1 Claim, 5 Drawing Sheets



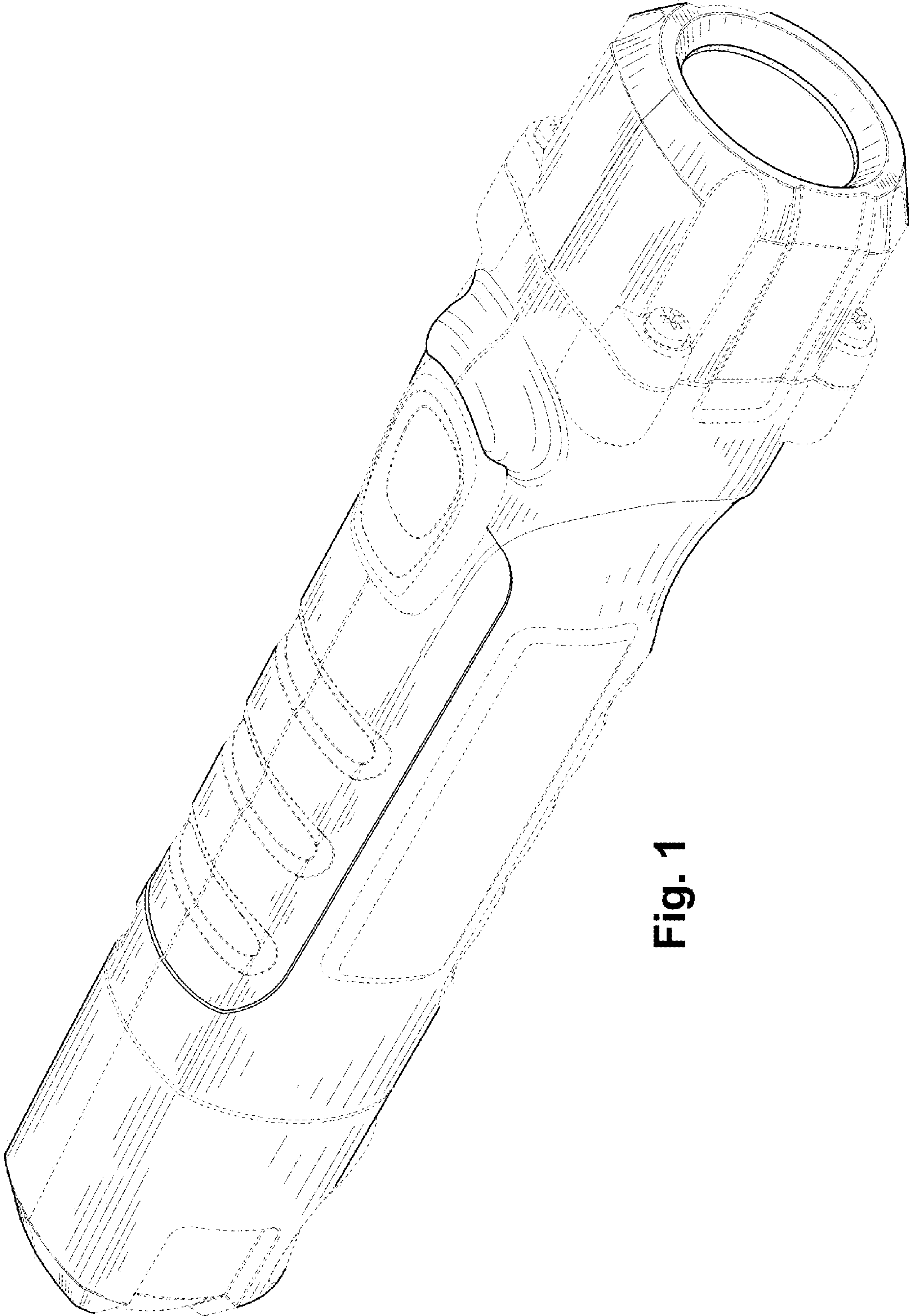


Fig. 1

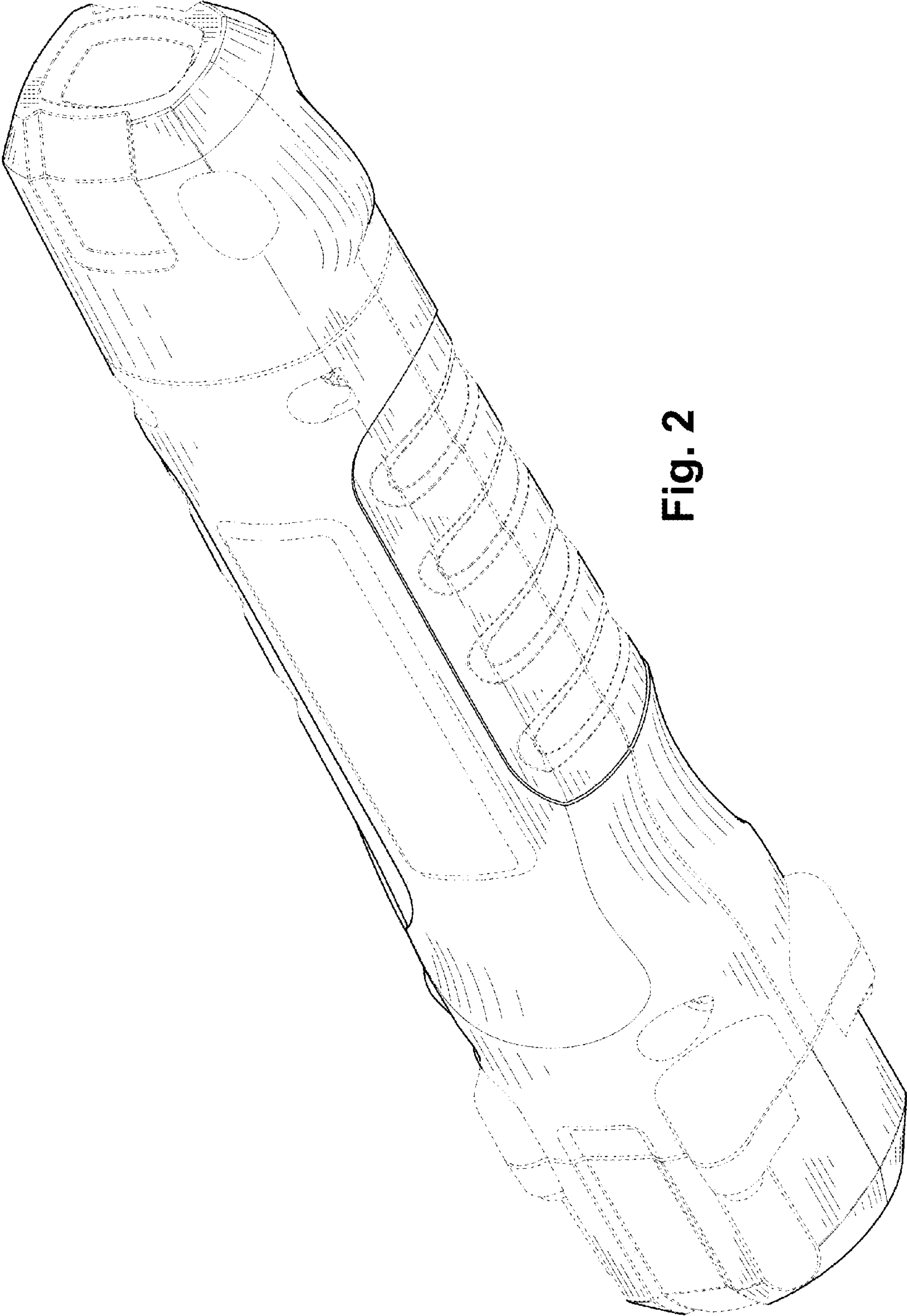


Fig. 2

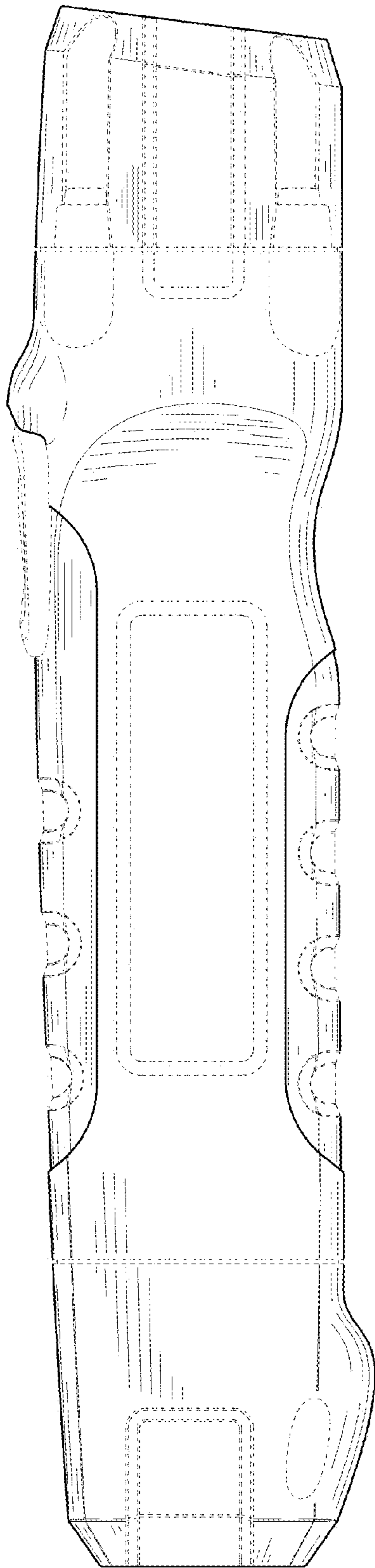


Fig. 3

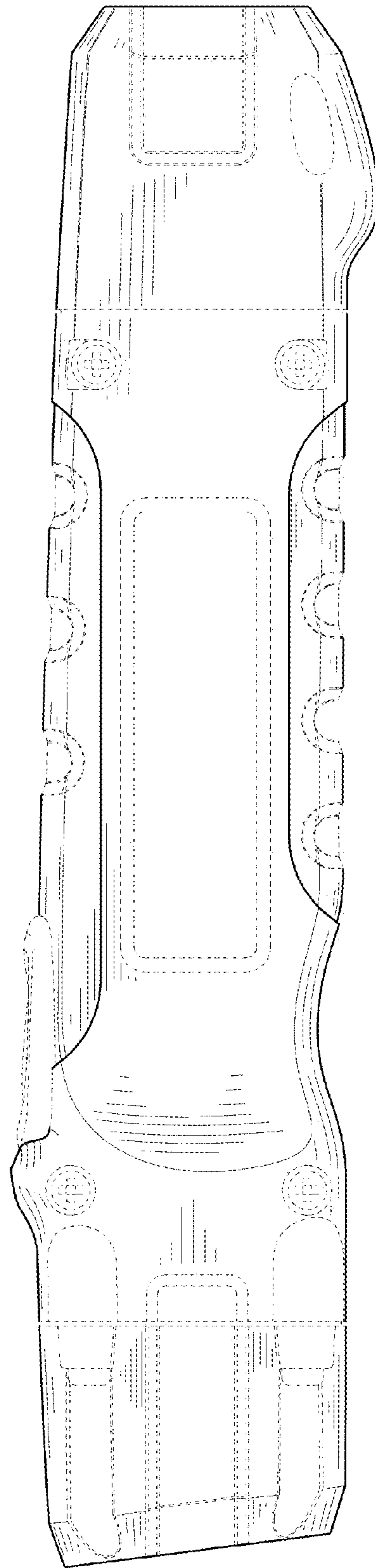


Fig. 4

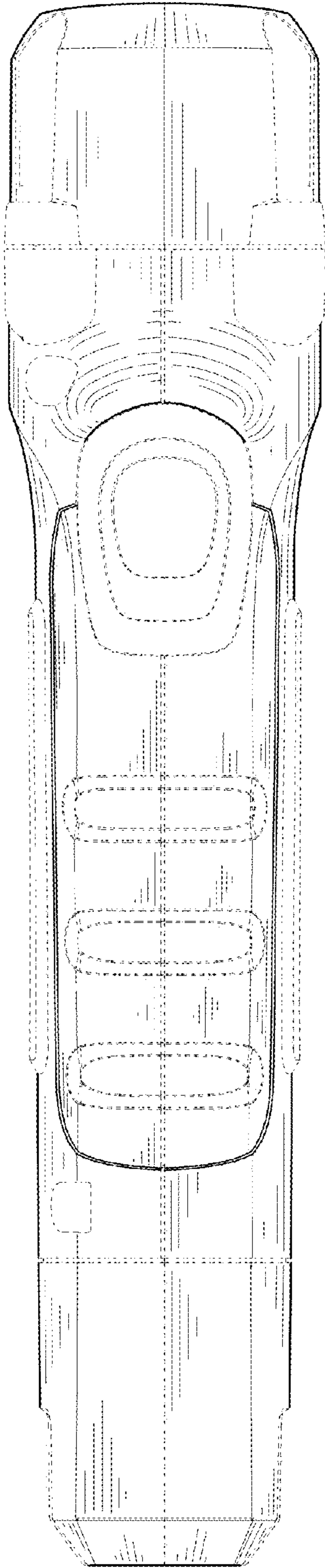


Fig. 5

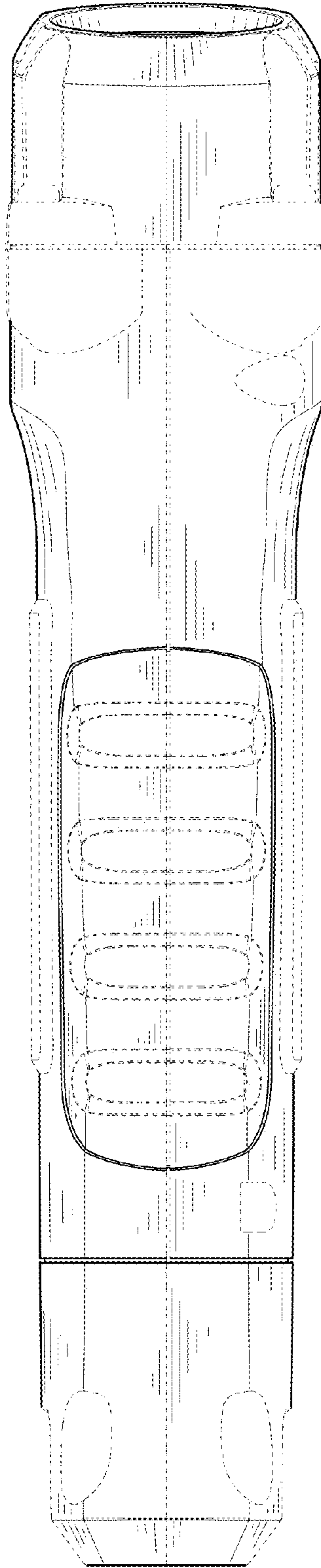


Fig. 6

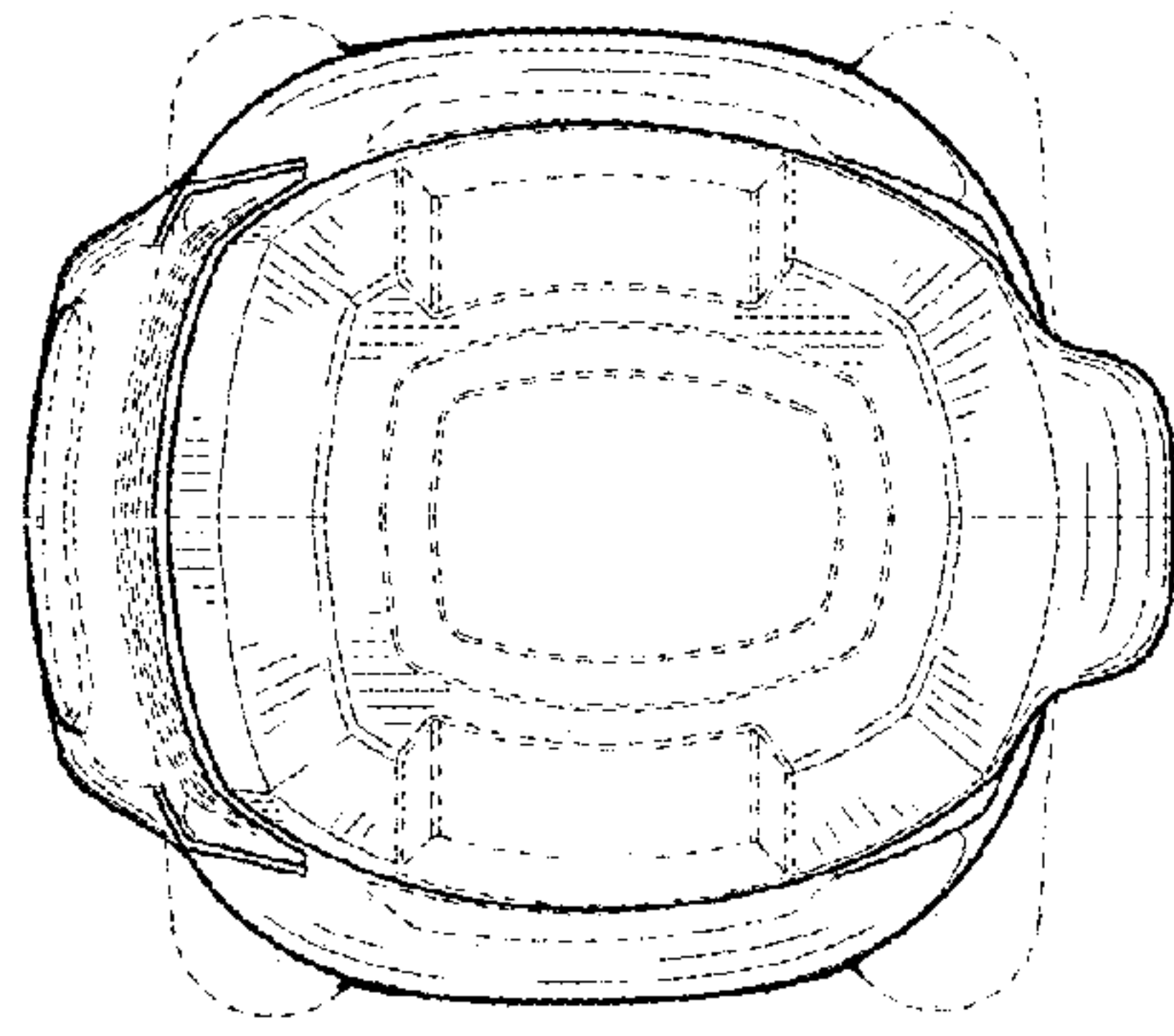


Fig. 8

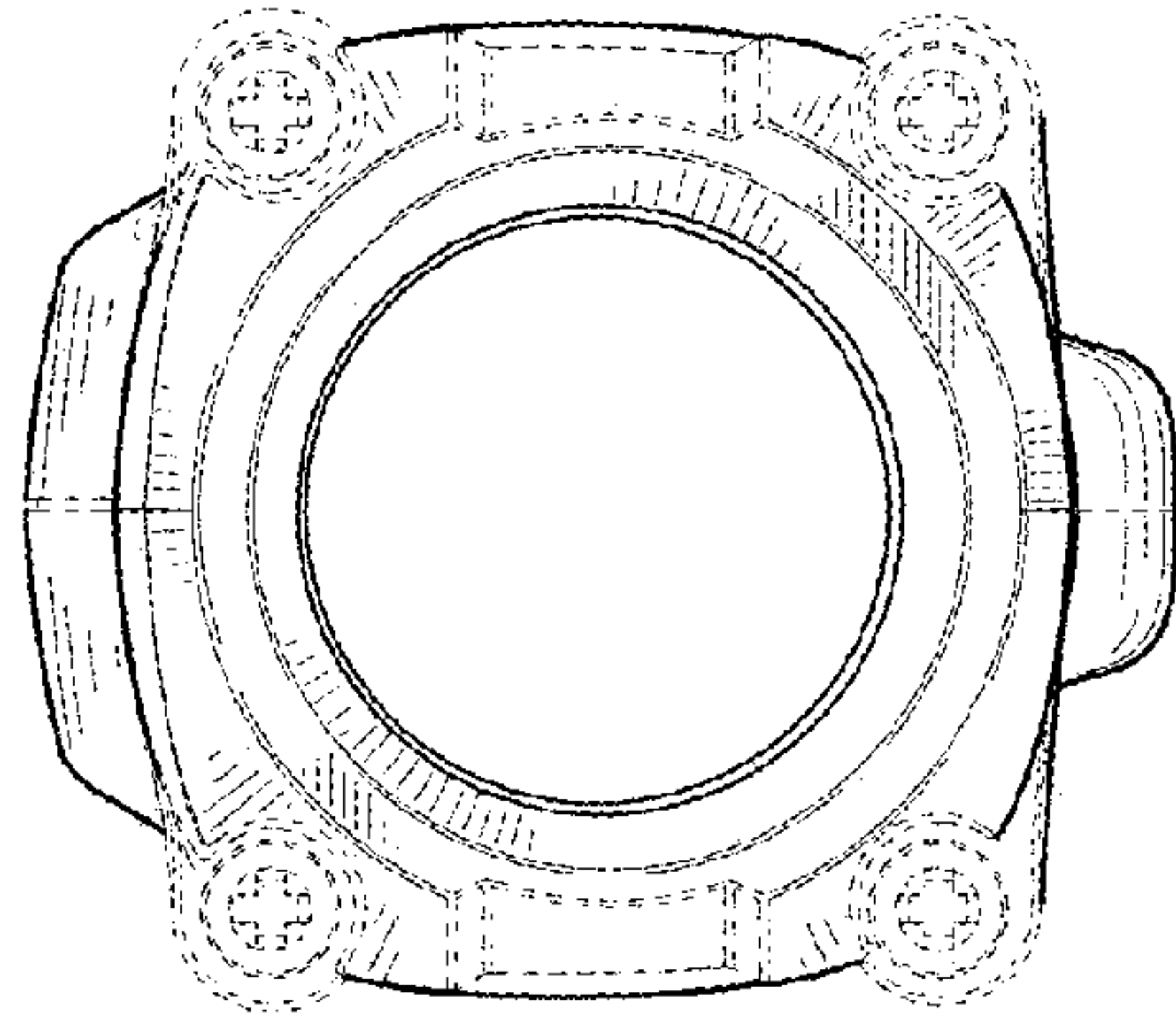


Fig. 7