



US00D740985S

(12) **United States Design Patent**
Dooley

(10) **Patent No.:** **US D740,985 S**

(45) **Date of Patent:** **** Oct. 13, 2015**

(54) **MULTI-FUNCTION SOLAR LIGHT**

(71) Applicant: **Leonard L. Dooley**, Playa del Rey, CA
(US)

(72) Inventor: **Leonard L. Dooley**, Playa del Rey, CA
(US)

(**) Term: **14 Years**

(21) Appl. No.: **29/467,057**

(22) Filed: **Sep. 13, 2013**

(51) **LOC (10) Cl.** **26-02**

(52) **U.S. Cl.**
USPC **D26/37**

(58) **Field of Classification Search**
USPC D26/37, 38, 40, 46, 49, 51; 362/158,
362/157, 183, 184, 194-196, 200-208,
362/253; D13/102, 118
CPC F21V 3/00; F21V 14/025; F21V 21/406;
F21Y 2101/02; F21L 2003/00; F21L 2005/00;
F21L 2/00; F21L 4/00; F21L 4/005; F21L
17/00; F21L 13/08; Y02E 10/50; Y02E 10/52
See application file for complete search history.

(56) **References Cited**

U.S. PATENT DOCUMENTS

D417,019 S *	11/1999	Rachwal et al.	D26/37
D434,867 S *	12/2000	Merrell	D26/37
D500,528 S *	1/2005	Morris et al.	D21/324
D543,301 S *	5/2007	Chen	D26/42
D550,385 S *	9/2007	Hamilton et al.	D26/37
D576,333 S *	9/2008	Benensohn	D26/72
D582,842 S *	12/2008	Wei	D13/102
7,588,355 B1 *	9/2009	Liu et al.	362/373
D630,785 S *	1/2011	Kim et al.	D26/63
D633,239 S *	2/2011	Chen	D26/41
D639,469 S *	6/2011	Zhuang	D26/37

D651,731 S *	1/2012	Xu	D26/37
D659,867 S *	5/2012	Zhan	D26/37
D664,103 S *	7/2012	Sasaoka et al.	D13/180
D664,505 S *	7/2012	Ko	D13/180
D665,365 S *	8/2012	Lee et al.	D13/180
D668,235 S *	10/2012	Chang et al.	D13/180
D677,815 S *	3/2013	Zhan	D26/37
D690,839 S *	10/2013	Wang	D26/24
D695,434 S *	12/2013	Shen	D26/41
D699,279 S *	2/2014	Zhan	D16/239
D699,779 S *	2/2014	Zhan	D16/239
2010/0014289 A1 *	1/2010	Thomas et al.	362/235
2011/0122623 A1 *	5/2011	Miura	362/249.02

* cited by examiner

Primary Examiner — Ian Simmons

Assistant Examiner — Carissa C Fitts

(74) *Attorney, Agent, or Firm* — QuickPatents; Kevin Prince

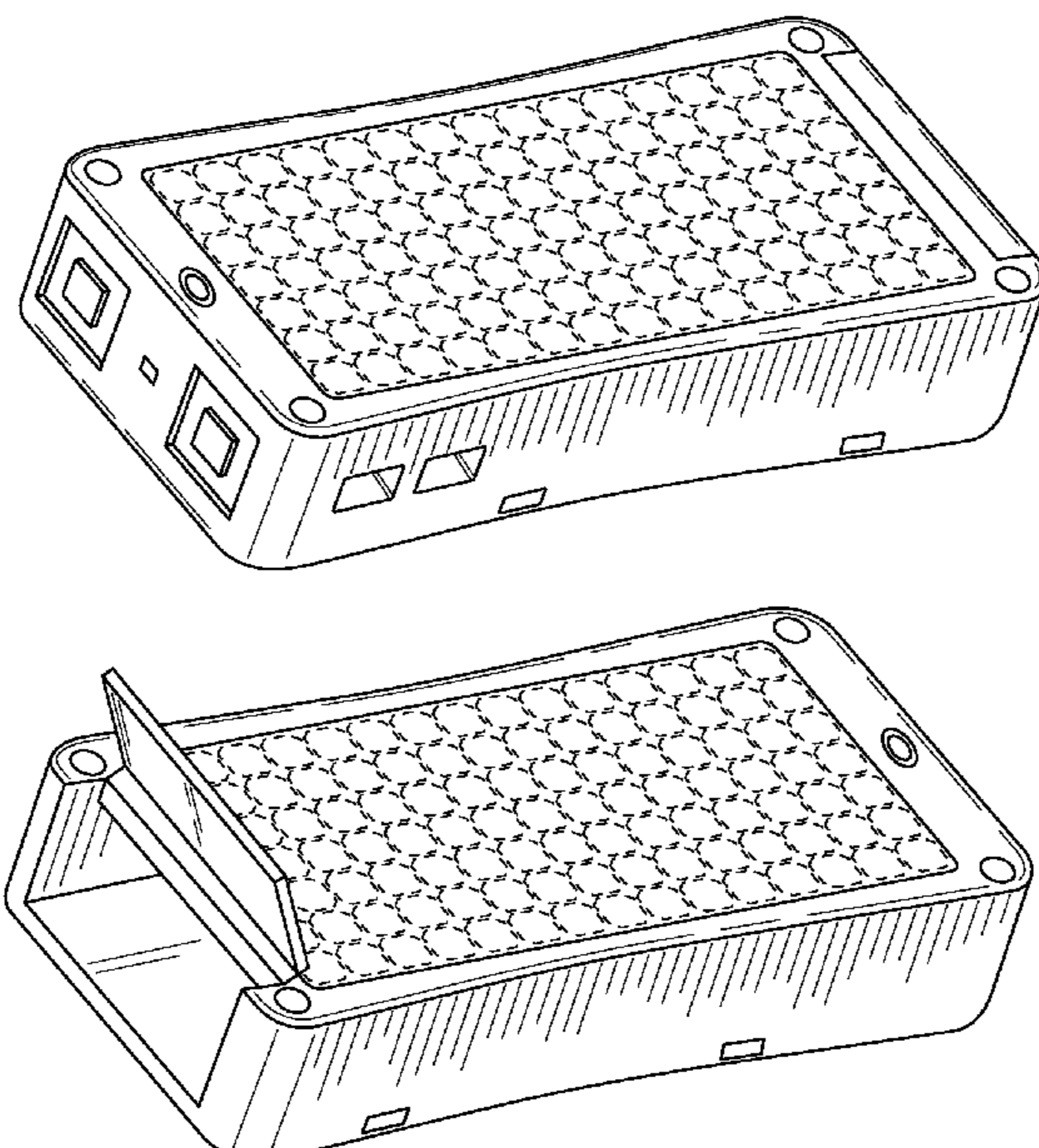
(57) **CLAIM**

I claim the ornamental design for a multi-function solar light, as shown and described.

DESCRIPTION

FIG. 1 is a front perspective view of a multi-function solar light, showing my new design with a compartment door in a closed position;
FIG. 2 is a front elevational view of FIG. 1;
FIG. 3 is a rear elevational view of FIG. 1;
FIG. 4 is a right-side elevational view of FIG. 1;
FIG. 5 is a left-side elevational view of FIG. 1;
FIG. 6 is a top plan view of FIG. 1;
FIG. 7 is a bottom plan view of FIG. 1; and,
FIG. 8 is a rear perspective view thereof, illustrated with the compartment door in an open position.
The broken lines represent unclaimed details only and forms no part of the claimed design.

1 Claim, 3 Drawing Sheets



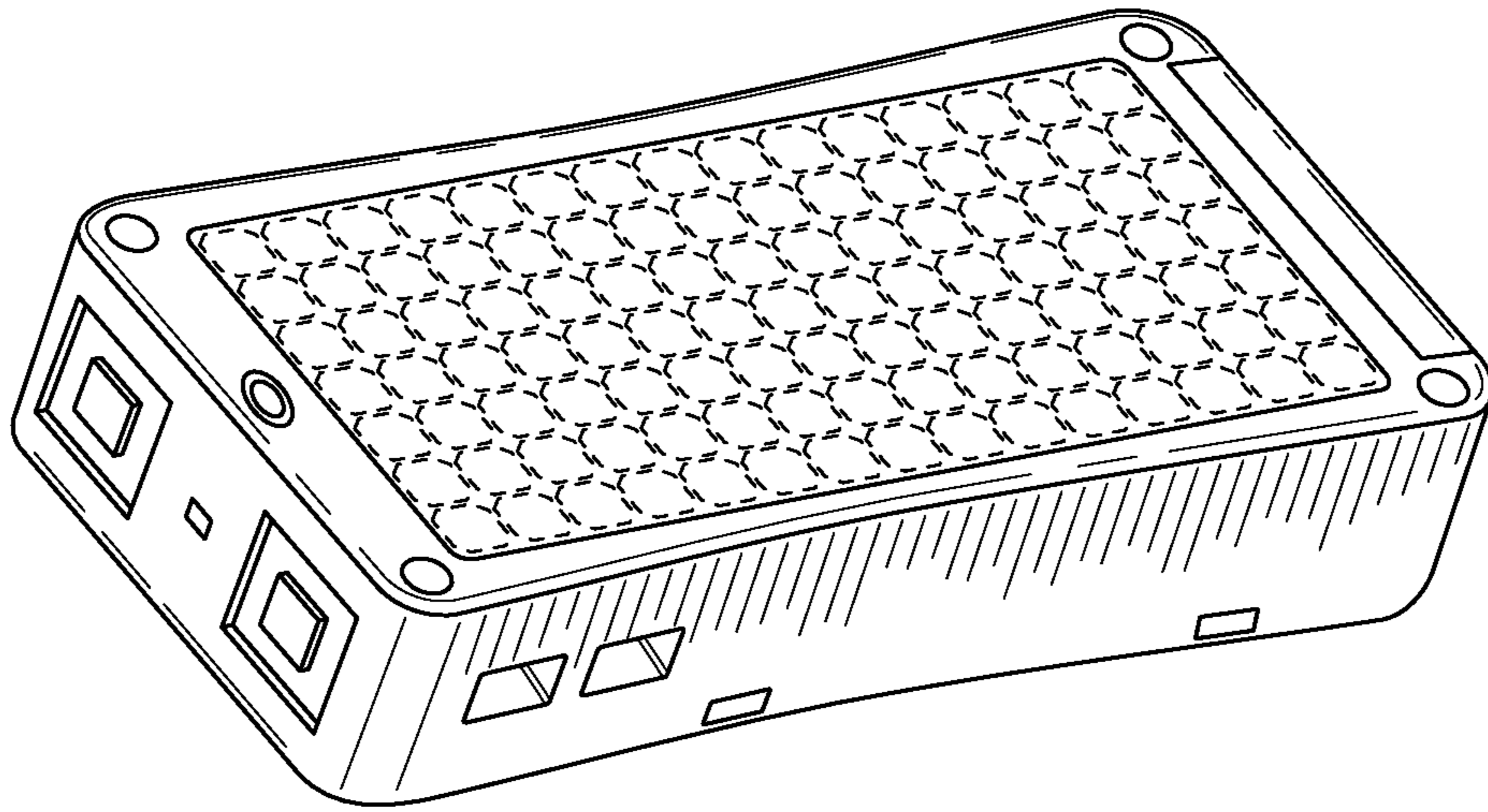


FIG. 1

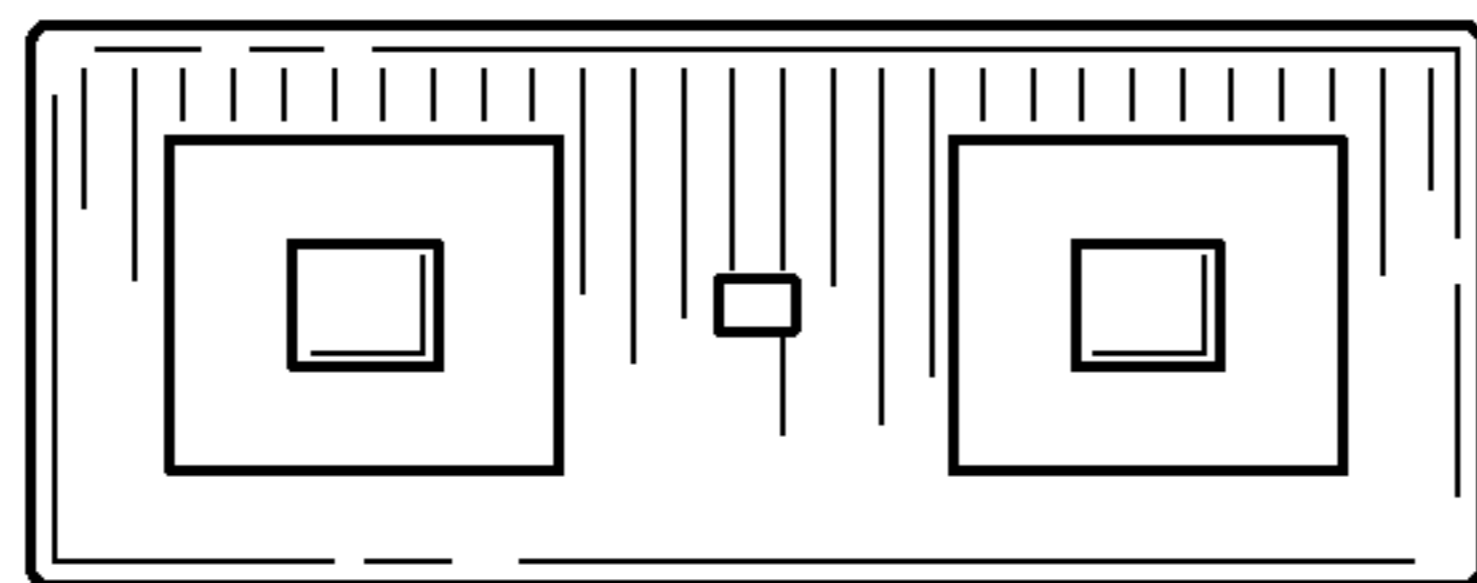


FIG. 2

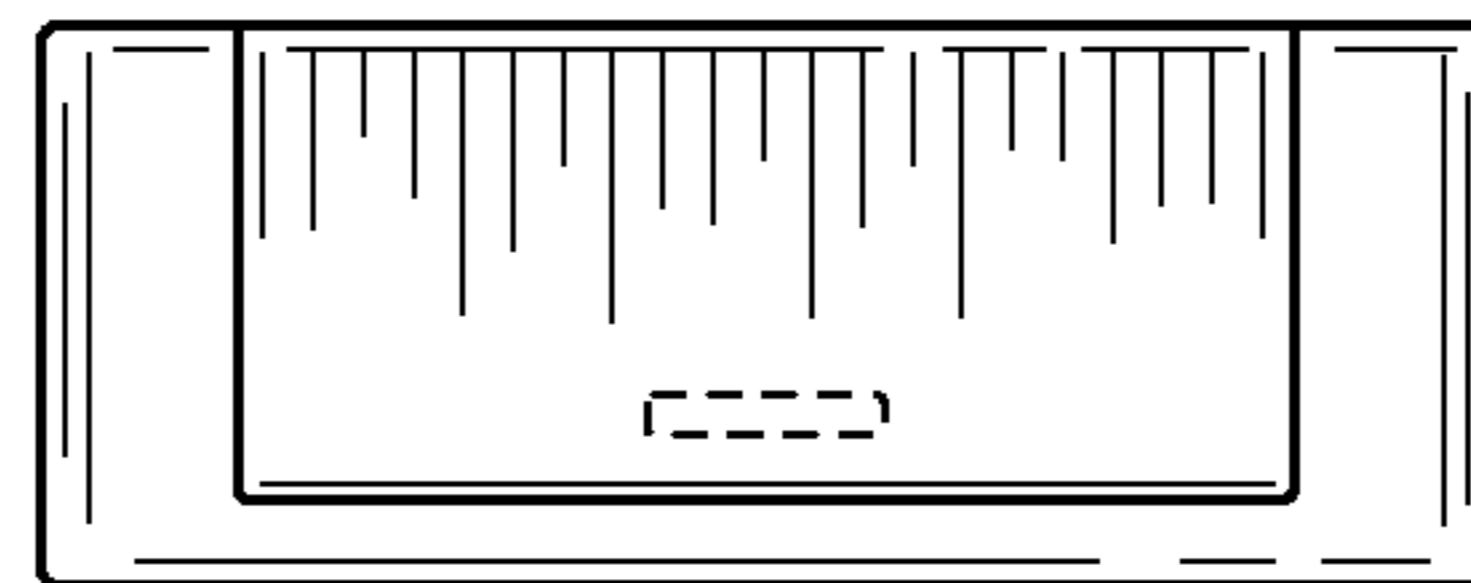


FIG. 3

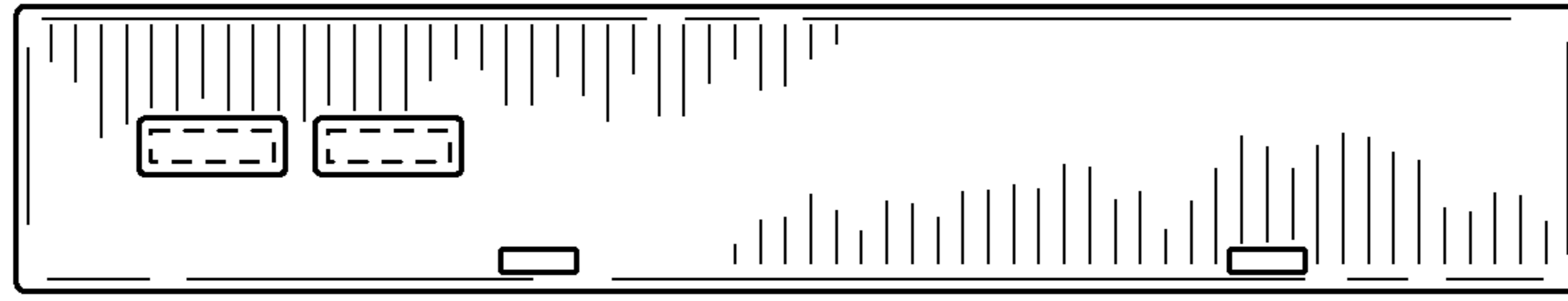


FIG. 4

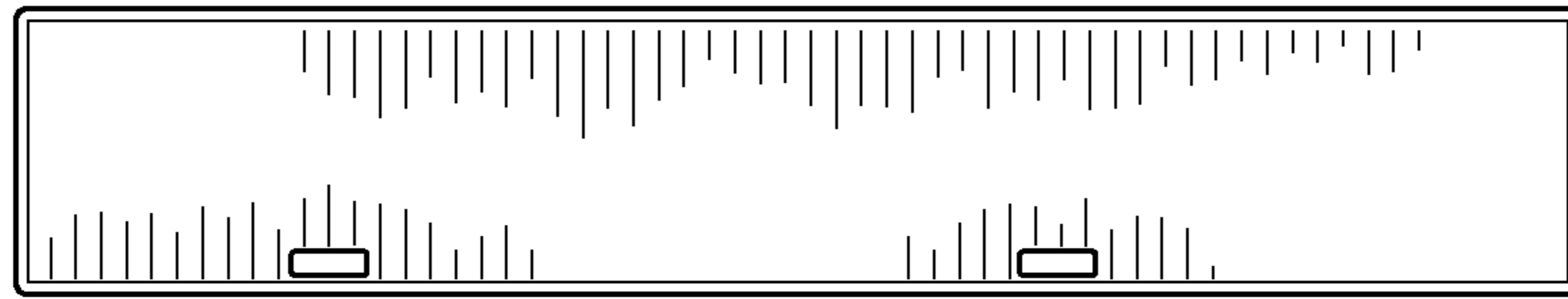


FIG. 5

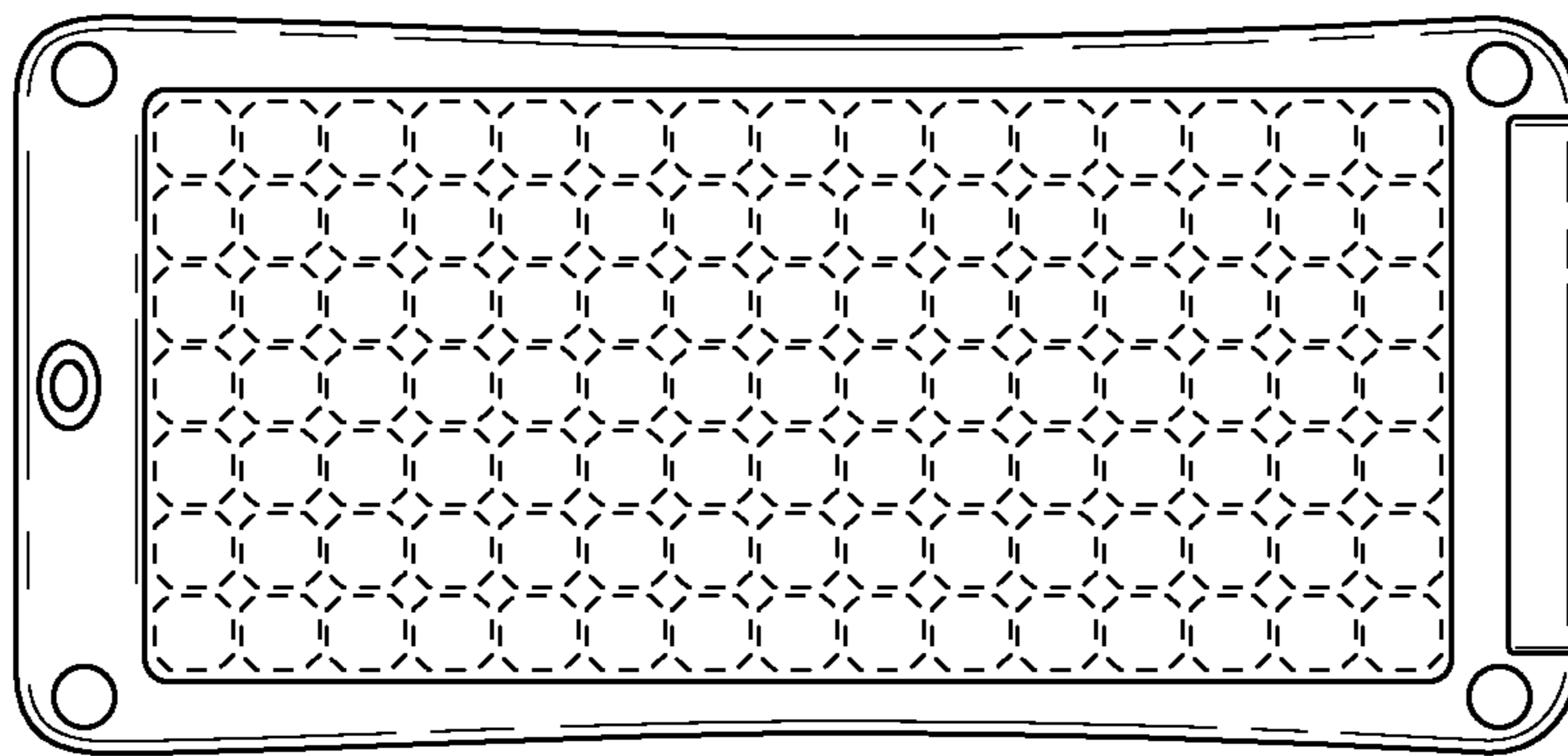


FIG. 6

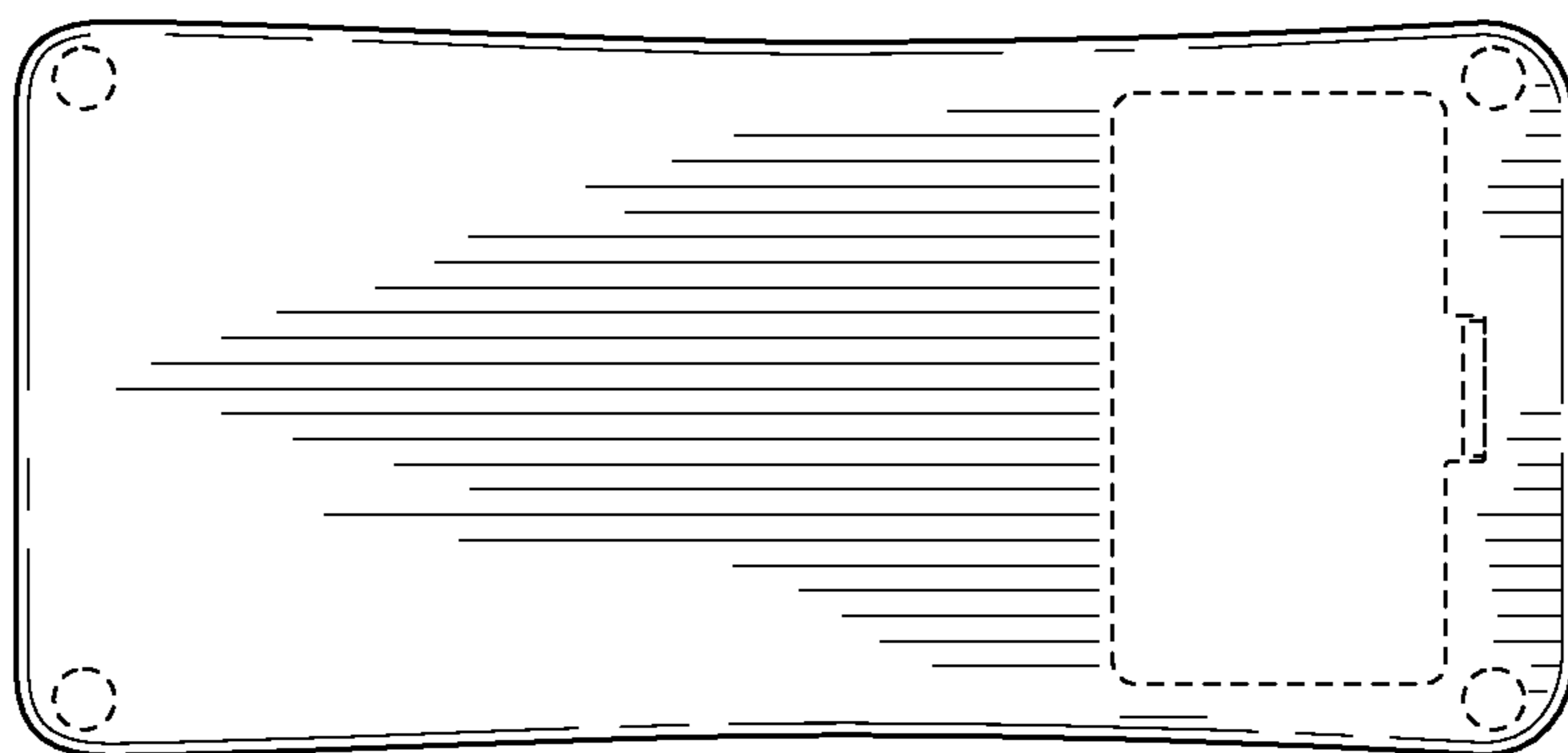


FIG. 7

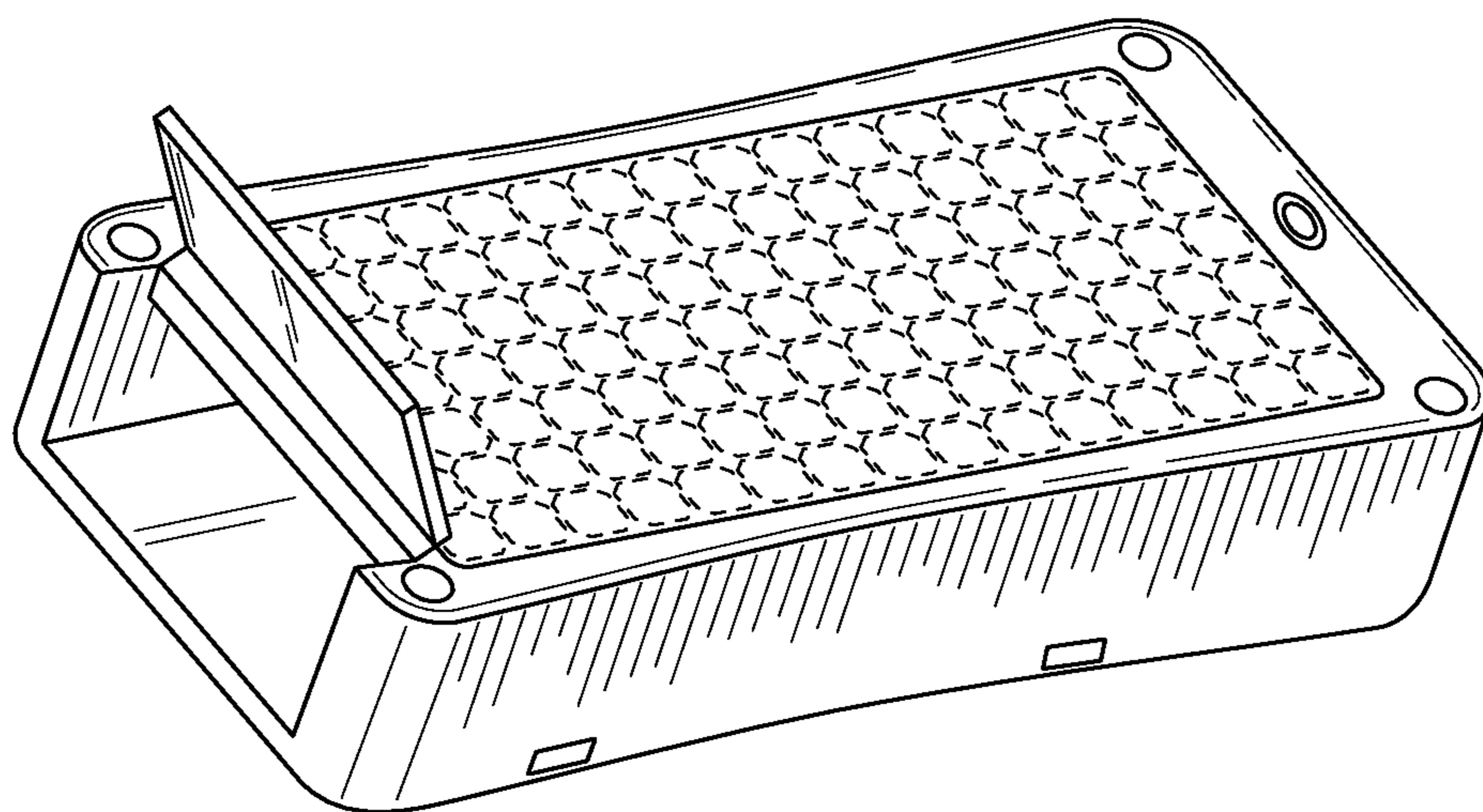


FIG. 8