



US00D740982S

(12) **United States Design Patent**  
**Sagawa et al.**

(10) **Patent No.:** **US D740,982 S**  
(45) **Date of Patent:** **\*\* Oct. 13, 2015**

(54) **FRONT COMBINATION LAMP FOR  
AUTOMOBILE**

(71) Applicant: **Honda Motor Co., Ltd.**, Tokyo (JP)  
(72) Inventors: **Masahiro Sagawa**, Wako (JP); **Keisuke  
Morioka**, Wako (JP)  
(73) Assignee: **Honda Motor Co., Ltd.**, Tokyo (JP)  
(\*\*) Term: **14 Years**

(21) Appl. No.: **29/487,374**

(22) Filed: **Apr. 8, 2014**

(30) **Foreign Application Priority Data**

Oct. 11, 2013 (JP) ..... 2013-023771

(51) **LOC (10) Cl.** ..... **26-06**

(52) **U.S. Cl.**  
USPC ..... **D26/28**

(58) **Field of Classification Search**  
USPC ..... D26/28-36, 113, 118, 121, 138-140;  
362/84, 341, 459-468, 473, 475-478,  
362/485-487, 511, 523  
CPC ..... B62J 6/02; B62J 6/04; B60Q 1/0047;  
B60Q 1/18; B60Q 1/2696; B60Q 1/46

See application file for complete search history.

(56) **References Cited**

U.S. PATENT DOCUMENTS

D561,358 S *	2/2008	Tachibana .....	D26/28
D582,069 S *	12/2008	Koman .....	D26/28
D598,591 S *	8/2009	Nakahara .....	D26/28
D654,195 S *	2/2012	Akita .....	D26/28
D675,759 S *	2/2013	Wada .....	D26/28
D709,213 S *	7/2014	Futschik et al. ....	D26/28
D710,044 S *	7/2014	Lai .....	D26/28
D718,894 S *	12/2014	Lai .....	D26/28
D720,870 S *	1/2015	Lim et al. ....	D26/28
D721,450 S *	1/2015	Lai .....	D26/28
D723,723 S *	3/2015	Goto .....	D26/28

\* cited by examiner

*Primary Examiner* — Cynthia Ramirez

*Assistant Examiner* — Llorellys Martinez-Rivera

(74) *Attorney, Agent, or Firm* — Plumsea Law Group, LLC

(57) **CLAIM**

The ornamental design for a front combination lamp for automobile, as shown and described.

**DESCRIPTION**

FIG. 1 is a front perspective view of a front combination lamp for automobile showing the present invention;

FIG. 2 is a front elevation view thereof.

FIG. 3 is a top plan view thereof; and,

FIG. 4 is a right side elevation view thereof.

The portions of the front combination lamp for automobile shown in broken lines are for the purpose of showing environmental structure only and form no part of the claimed design.

**1 Claim, 4 Drawing Sheets**

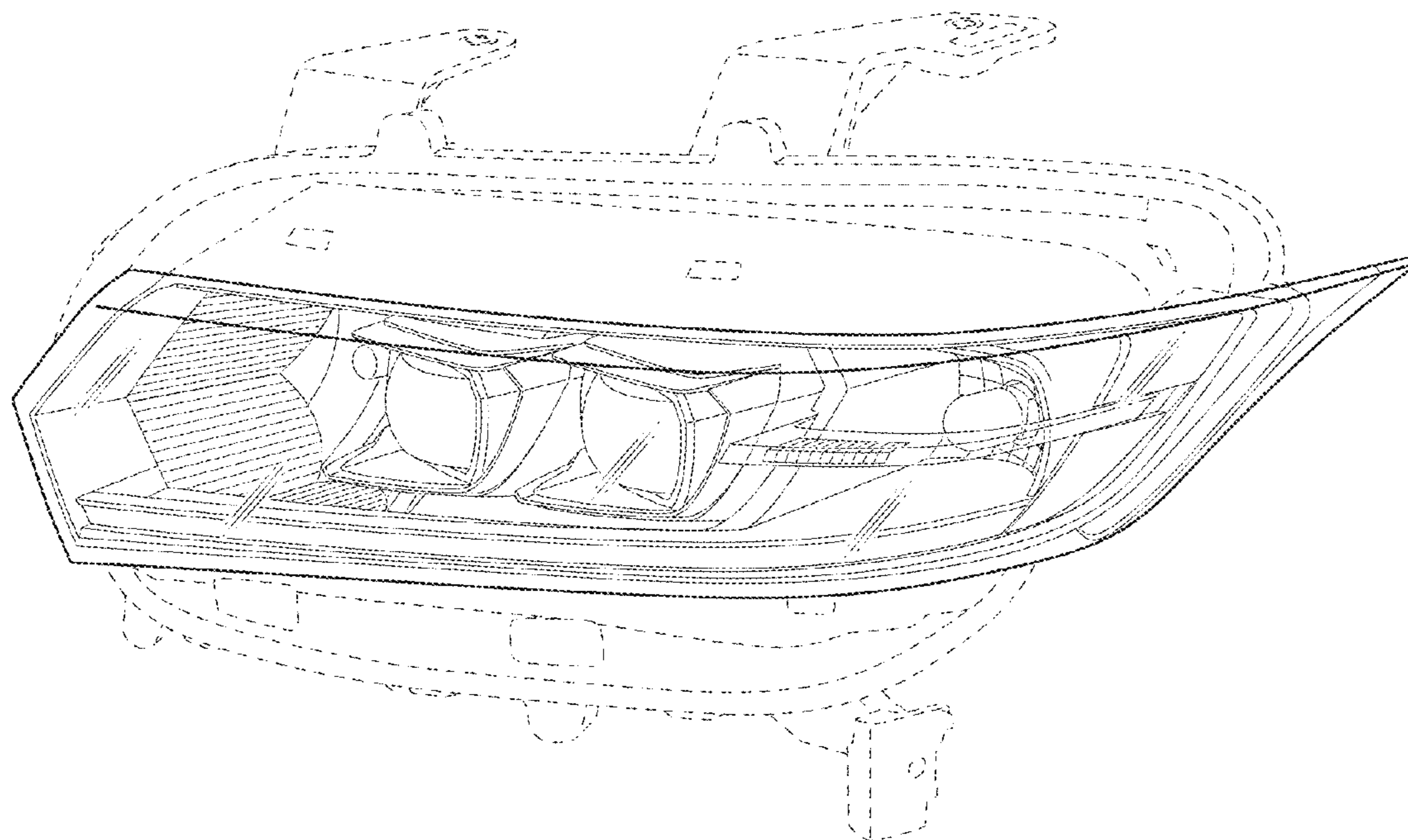


FIG. 1

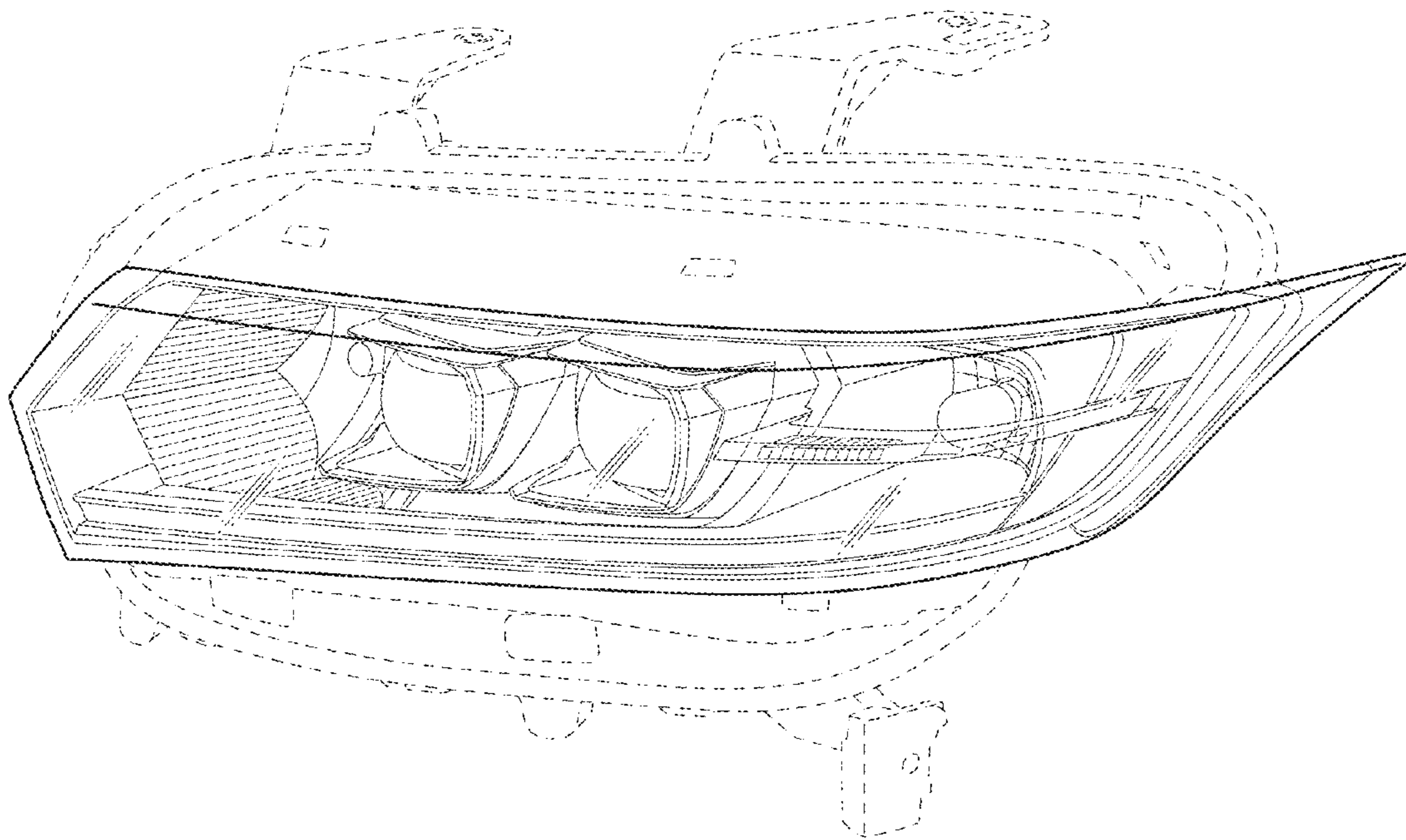


FIG. 2

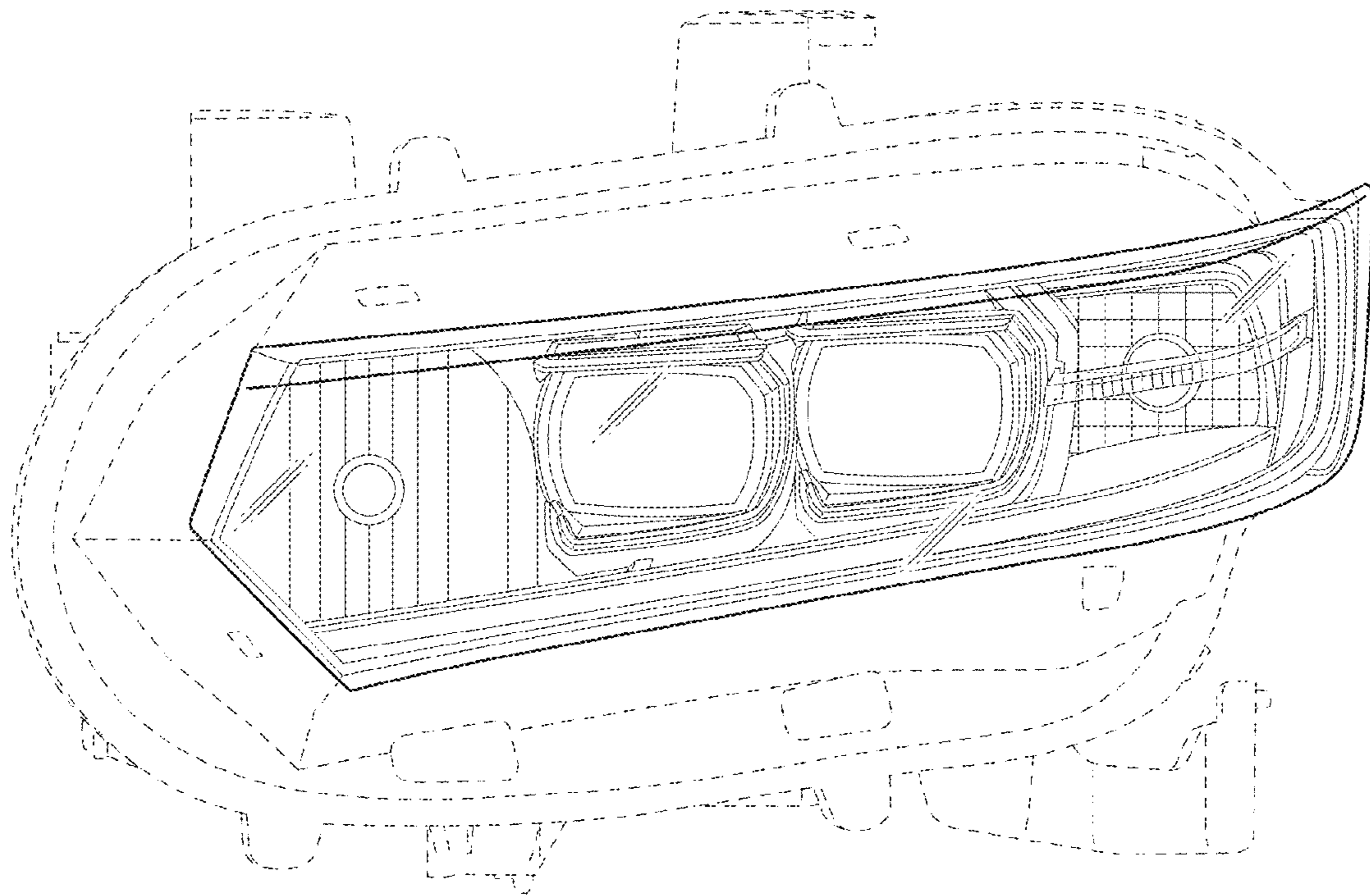


FIG. 3

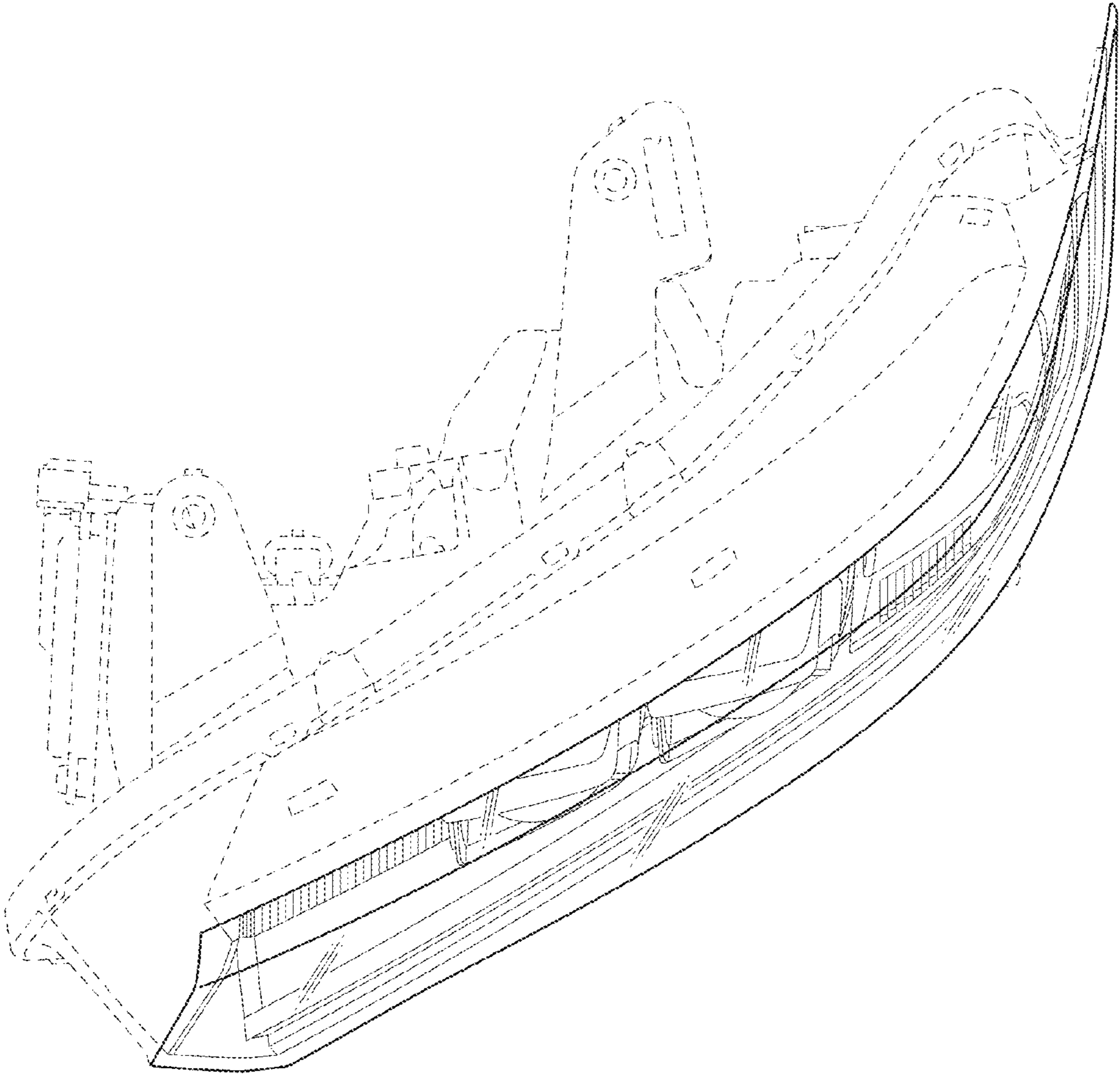


FIG. 4

