

US00D740978S

(12) **United States Design Patent**
Lee et al.

(10) **Patent No.:** **US D740,978 S**
(45) **Date of Patent:** **** Oct. 13, 2015**

(54) **HEAD LAMP FOR AUTOMOBILES**

(71) Applicant: **Kia Motors Corporation**, Seoul (KR)

(72) Inventors: **Gwon-Hak Lee**, Gyeonggi-Do (KR);
Young-Min Kim, Seoul (KR);
Mun-Hyo Yoon, Gyeonggi-Do (KR);
Oh-Young Kwon, Gyeonggi-Do (KR)

(73) Assignee: **Kia Motors Corporation**, Seoul (KR)

(**) Term: **14 Years**

(21) Appl. No.: **29/474,152**

(22) Filed: **Jun. 17, 2014**

(30) **Foreign Application Priority Data**

Jan. 22, 2014 (KR) 30-2014-0003468

(51) **LOC (10) Cl.** **26-06**

(52) **U.S. Cl.**
USPC **D26/28**

(58) **Field of Classification Search**
USPC D26/28-36, 113, 118, 121, 138-140;
362/84, 341, 459-468, 473, 475-478,
362/485-487, 511, 523
CPC B62J 6/02; B62J 6/04; B60Q 1/0047;
B60Q 1/18; B60Q 1/2696; B60Q 1/46;
F21S 48/1233; F21S 48/10; F21S 48/335;
F21S 48/00; F21S 48/1258

See application file for complete search history.

(56) **References Cited**

U.S. PATENT DOCUMENTS

D636,506 S *	4/2011	Kim et al.	D26/28
D657,897 S *	4/2012	Choi et al.	D26/28
D657,898 S *	4/2012	Choi et al.	D26/28
D670,842 S *	11/2012	Fuchigami et al.	D26/28
D709,223 S *	7/2014	Lai	D26/28
D714,975 S *	10/2014	Lee et al.	D26/28
D714,977 S *	10/2014	Lee et al.	D26/28
D719,689 S *	12/2014	Gotschke	D26/28
D723,197 S *	2/2015	Campbell et al.	D26/28

* cited by examiner

Primary Examiner — Cynthia Ramirez

Assistant Examiner — Llorellys Martinez-Rivera

(74) *Attorney, Agent, or Firm* — Mintz Levin Cohn Ferris
Glovsky and Popeo, P.C.

(57) **CLAIM**

The ornamental design for a head lamp for automobiles, as shown and described.

DESCRIPTION

FIG. 1 is a perspective view of a head lamp for automobiles according to the present invention.

FIG. 2 is a front view of the head lamp for automobiles of FIG. 1.

FIG. 3 is a rear view of the head lamp for automobiles of FIG. 1.

FIG. 4 is a left side view of the head lamp for automobiles of FIG. 1.

FIG. 5 is a right side view of the head lamp for automobiles of FIG. 1.

FIG. 6 is a top view of the head lamp for automobiles of FIG. 1; and,

FIG. 7 is a bottom view of the head lamp for automobiles of FIG. 1.

1 Claim, 7 Drawing Sheets

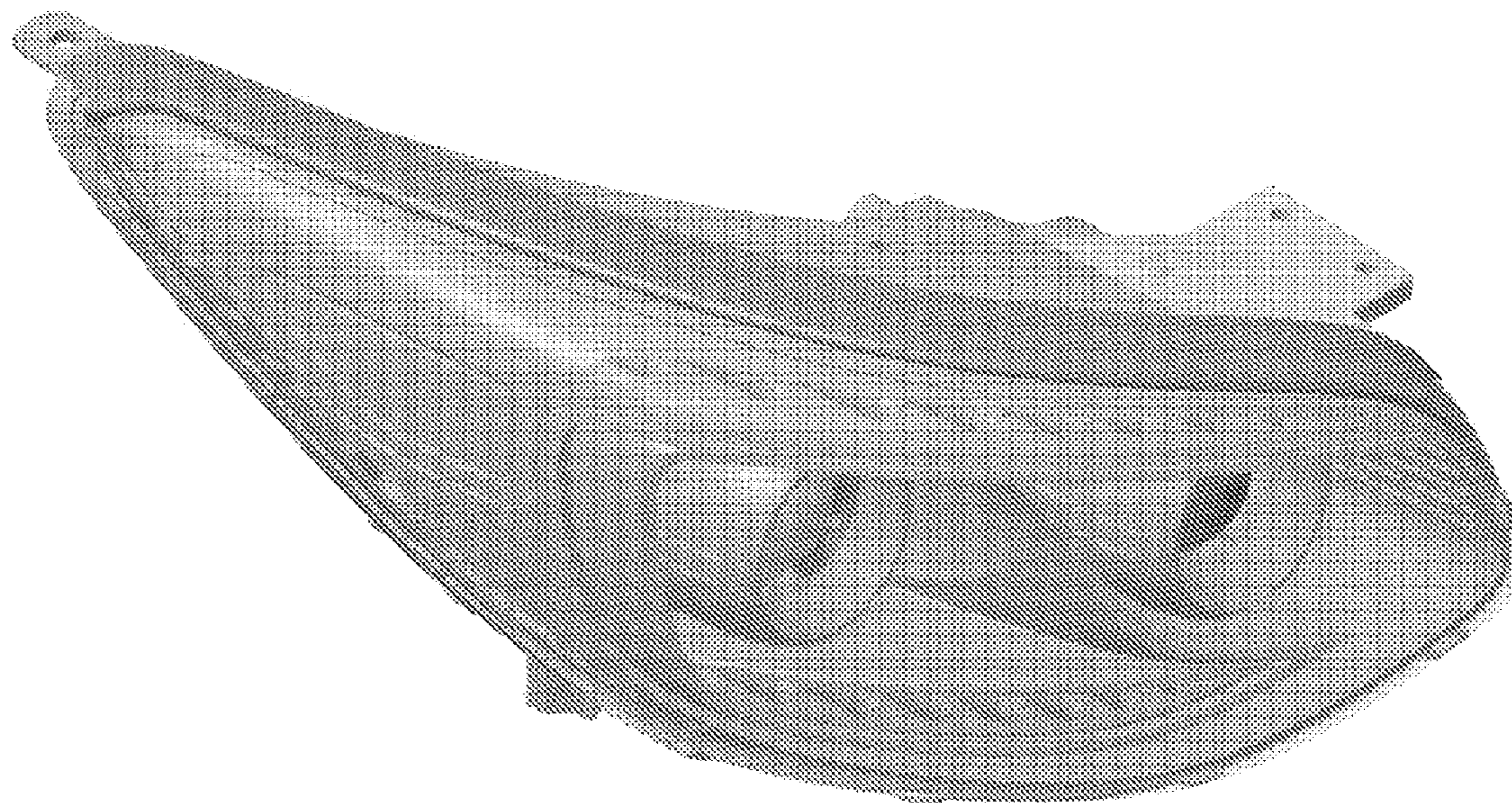


FIG. 1

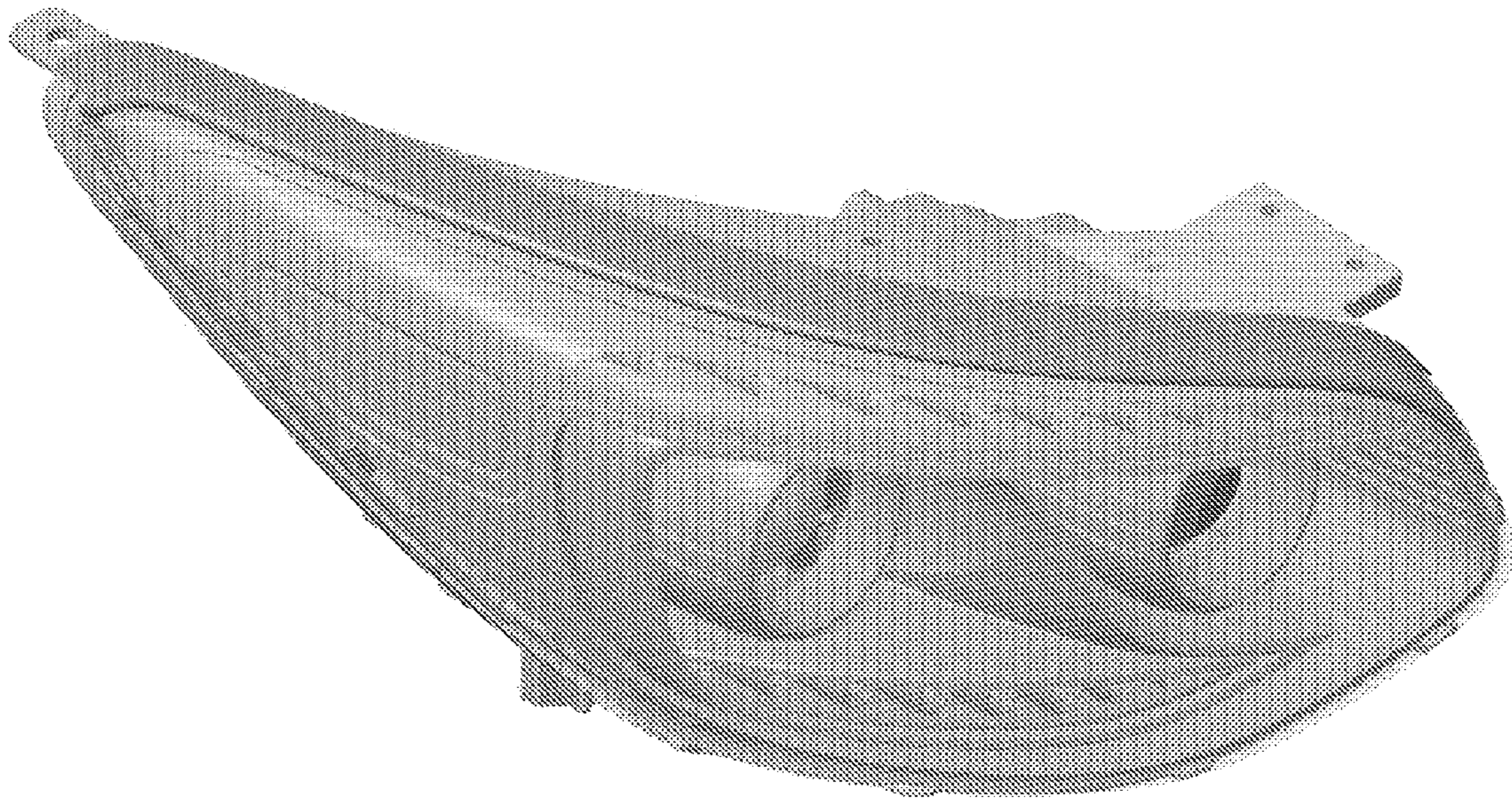


FIG. 2

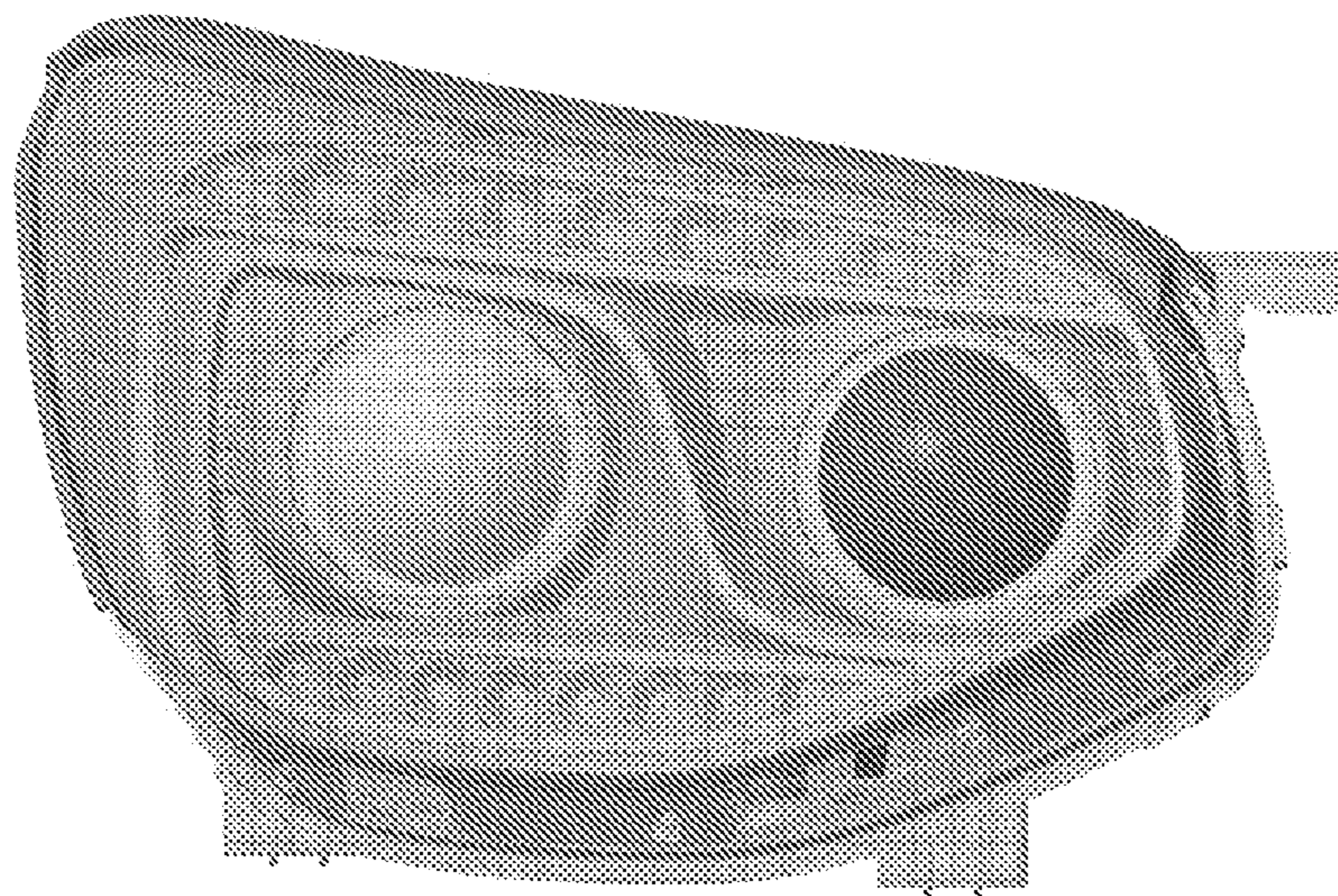


FIG. 3

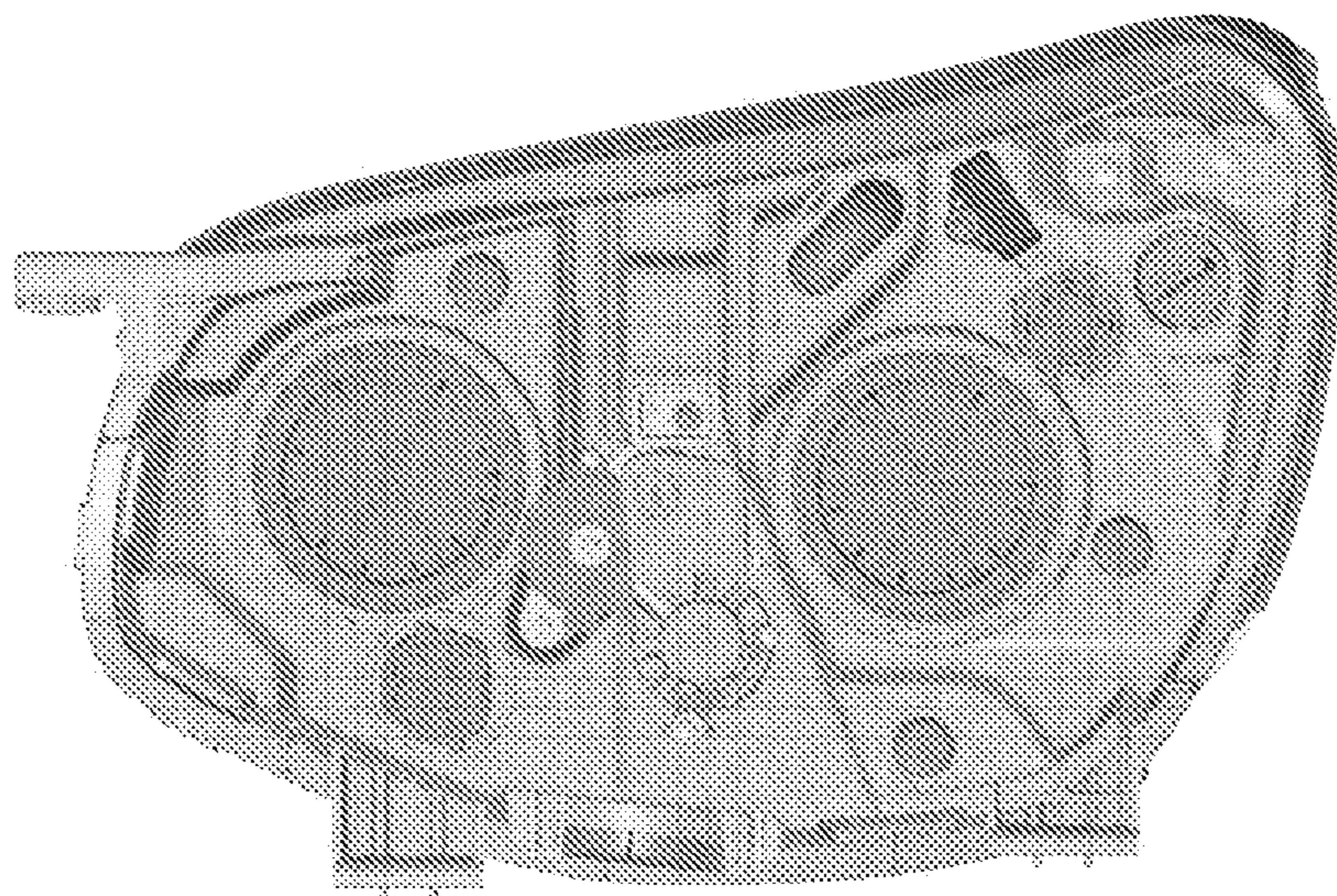


FIG. 4

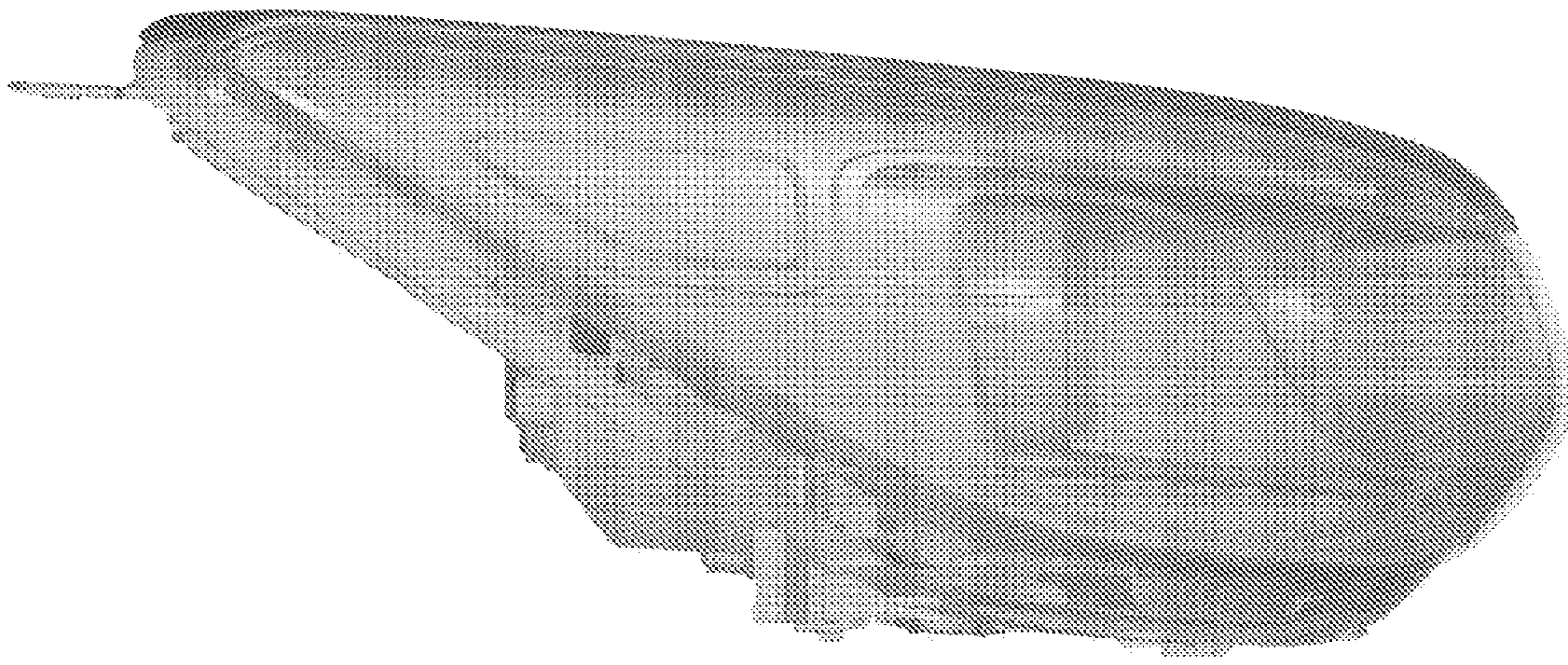


FIG. 5

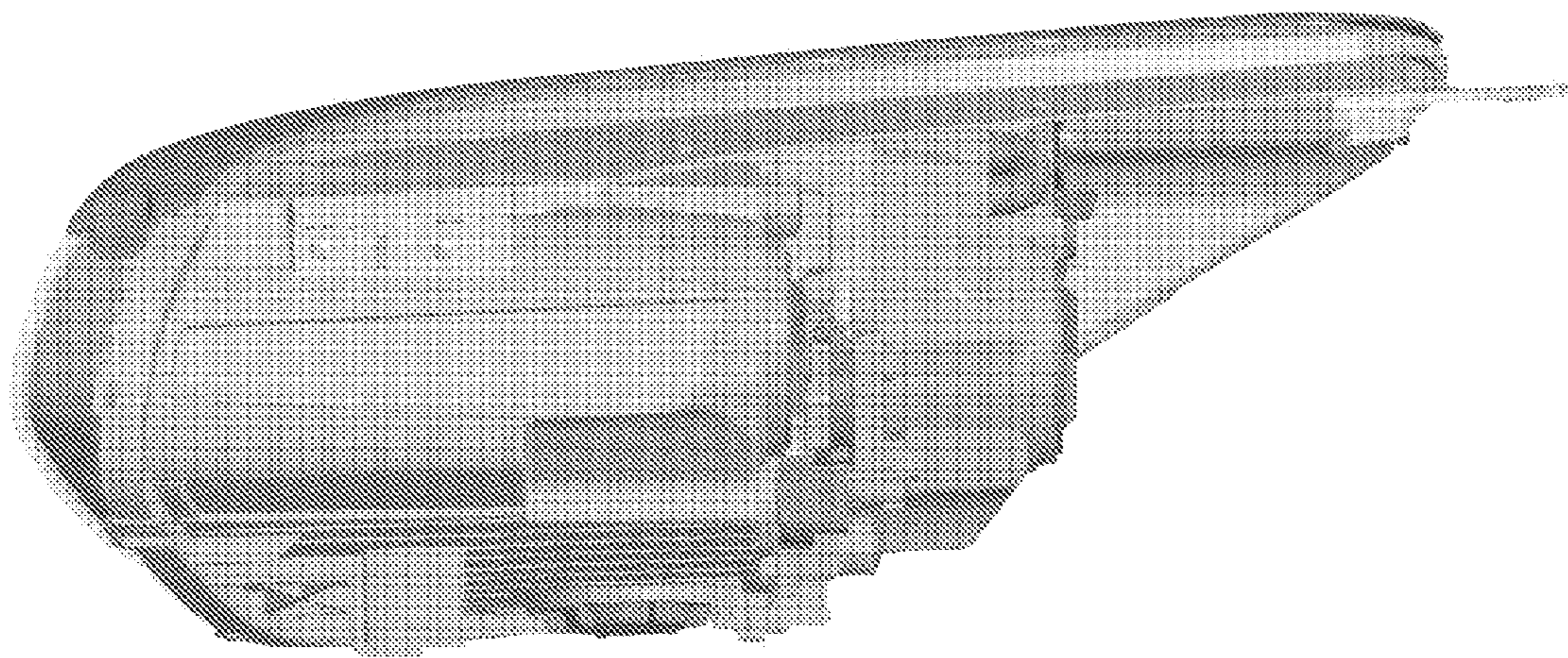


FIG. 6

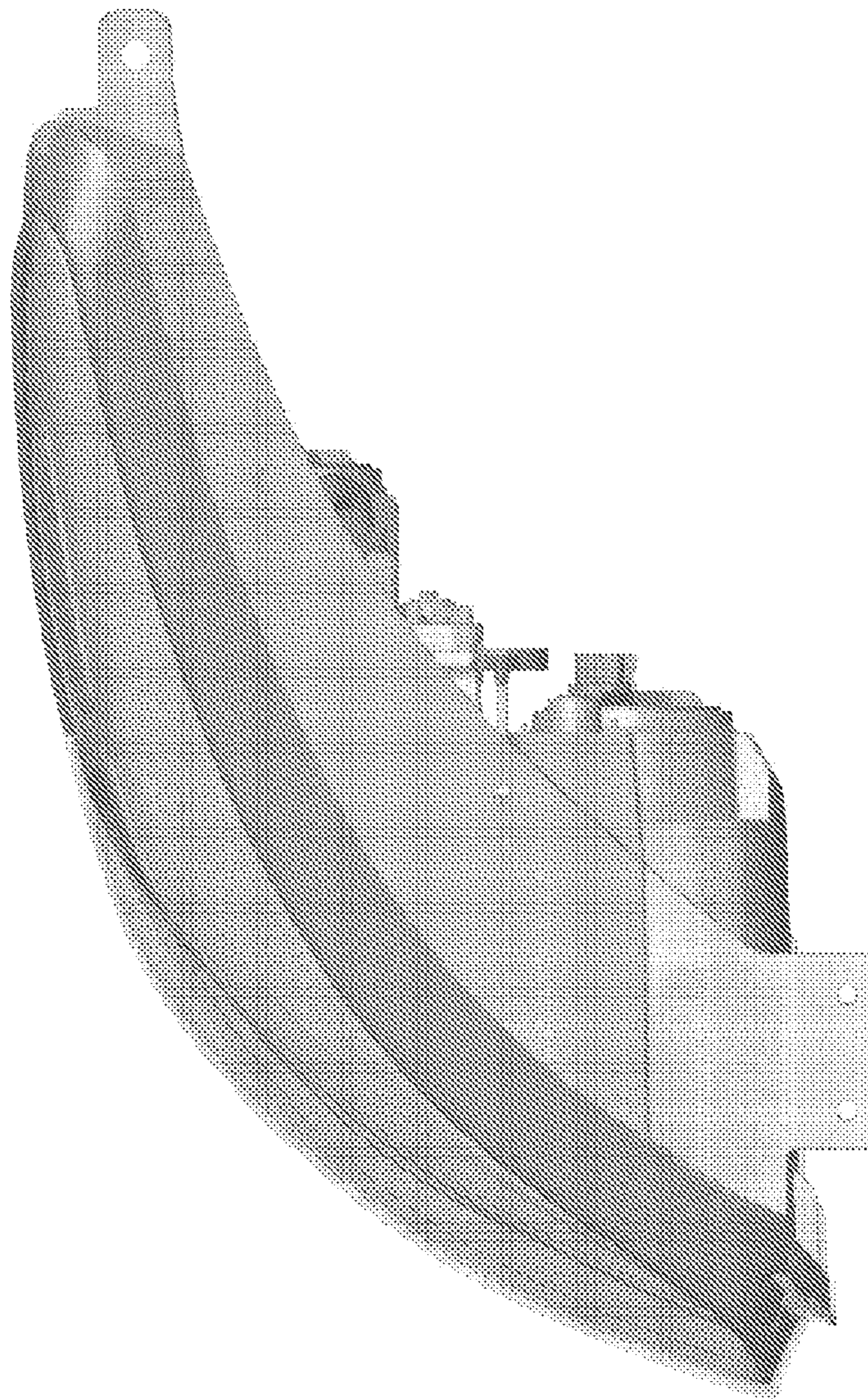


FIG. 7

