



US00D740977S

(12) **United States Design Patent**  
**Shibuta**

(10) **Patent No.:** **US D740,977 S**

(45) **Date of Patent:** **\*\* Oct. 13, 2015**

(54) **TAIL LIGHT FOR MOTORCYCLES**

(56) **References Cited**

(71) Applicant: **Kawasaki Jukogyo Kabushiki Kaisha,**  
Hyogo (JP)

(72) Inventor: **Yu Shibuta,** Kobe (JP)

(73) Assignee: **Kawasaki Jukogyo Kabushiki Kaisha,**  
Hyogo (JP)

(\*\*) Term: **14 Years**

(21) Appl. No.: **29/463,983**

(22) Filed: **Apr. 24, 2014**

(30) **Foreign Application Priority Data**

Oct. 30, 2013 (JP) ..... 2013-025238

(51) **LOC (10) Cl.** ..... **26-28**

(52) **U.S. Cl.**  
USPC ..... **D26/28**

(58) **Field of Classification Search**  
USPC ..... D26/28-36, 38, 39, 60-66, 113,  
D26/118-121, 138-140, 142; 362/362,  
362/364-366, 368-373, 459-463, 473-478,  
362/485-487, 538, 539, 546-549  
CPC ..... B62J 6/02; B62J 6/04; B60Q 1/0047;  
B60Q 1/18; B60Q 1/2696; B60Q 1/46;  
F21S 48/1233; F21S 48/10; F21S 48/335;  
F21S 48/00; F21S 48/1258

See application file for complete search history.

U.S. PATENT DOCUMENTS

D363,675	S	*	10/1995	Sasaki et al. ....	D10/114.4
D518,204	S	*	3/2006	Phillips et al. ....	D26/28
D523,168	S	*	6/2006	Reed et al. ....	D26/139
7,484,869	B2	*	2/2009	Kogo et al. ....	362/473
D588,719	S	*	3/2009	Longpre et al. ....	D26/28
D596,322	S	*	7/2009	Takahashi et al. ....	D26/28
D596,767	S	*	7/2009	Idei .....	D26/28
D601,728	S	*	10/2009	Kogo et al. ....	D26/28
D602,617	S	*	10/2009	Kogo et al. ....	D26/28
D617,021	S	*	6/2010	Ishiguri et al. ....	D26/28
D638,151	S	*	5/2011	Hung .....	D26/28

\* cited by examiner

*Primary Examiner* — Cynthia Ramirez

*Assistant Examiner* — Llorelys Martinez-Rivera

(57) **CLAIM**

The ornamental design for a tail light for motorcycles, as shown and described.

**DESCRIPTION**

FIG. 1 is a front elevational view of a tail light for motorcycles showing my new design;  
FIG. 2 is a rear elevational view thereof;  
FIG. 3 is a left side elevational view thereof, the right side view being a mirror image of that shown;  
FIG. 4 is a top plan view thereof;  
FIG. 5 is a bottom plan view thereof;  
FIG. 6 is a front left perspective view thereof; and,  
FIG. 7 is a rear right perspective view thereof.

**1 Claim, 4 Drawing Sheets**

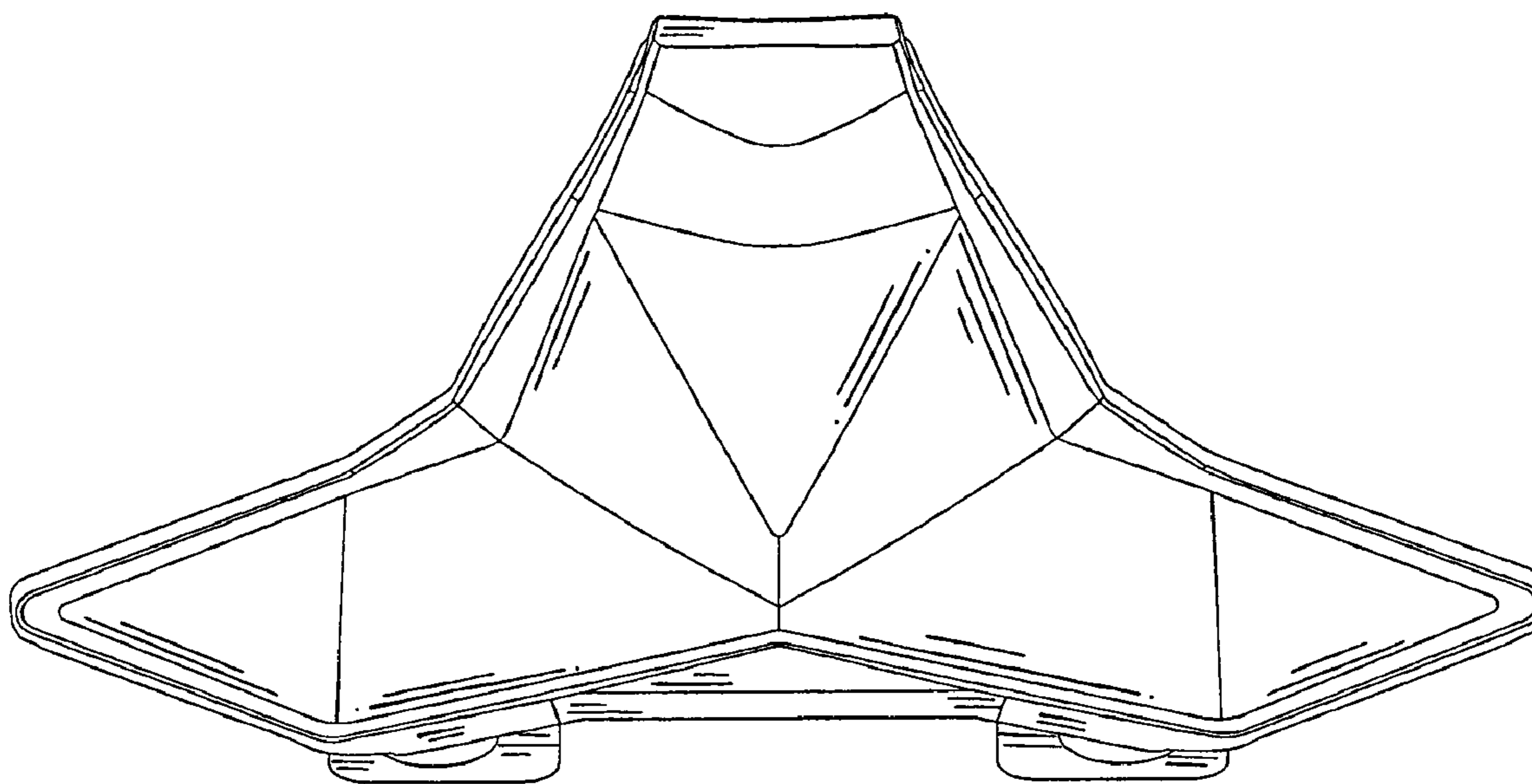


Fig. 1

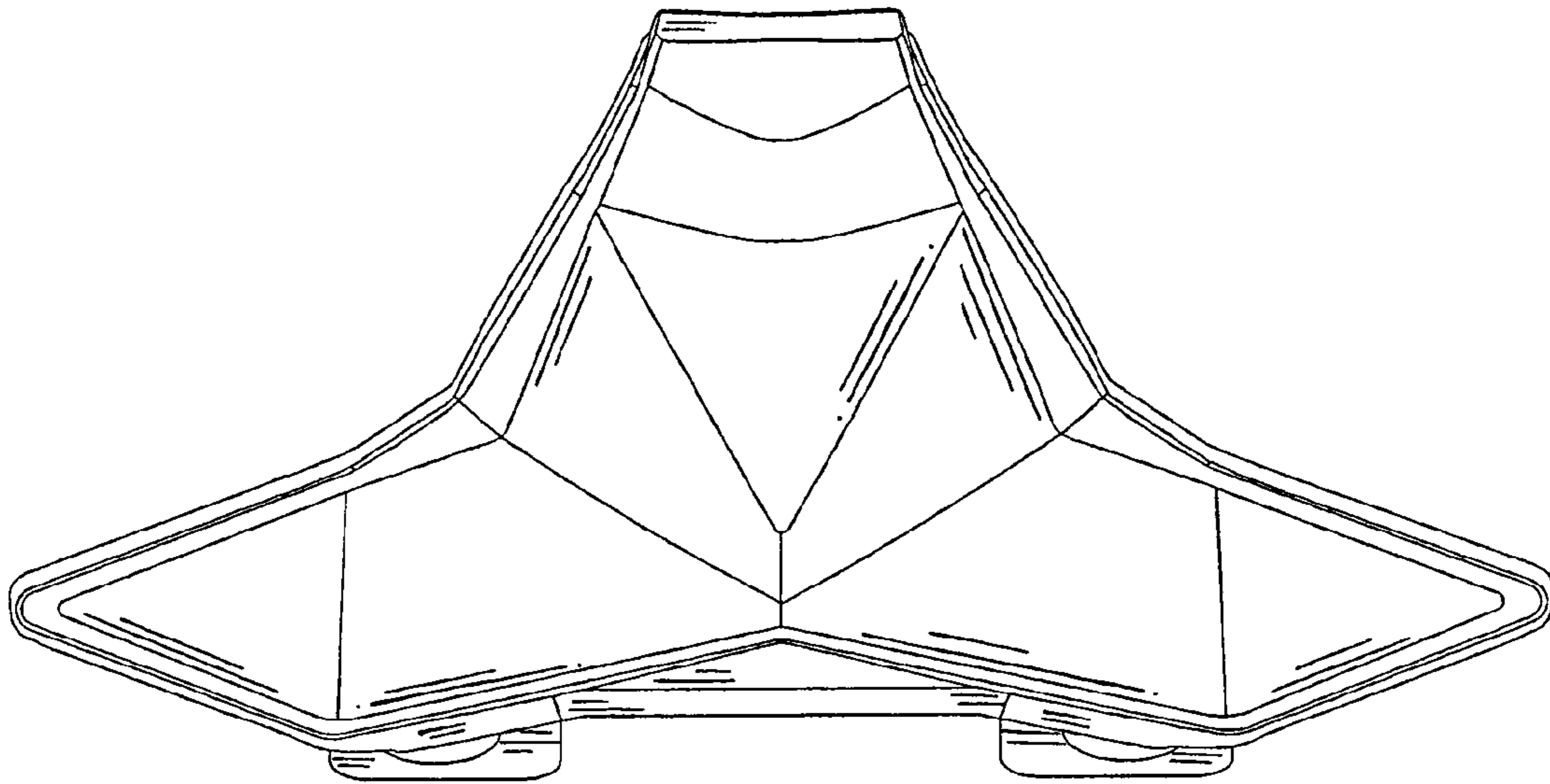


Fig. 2

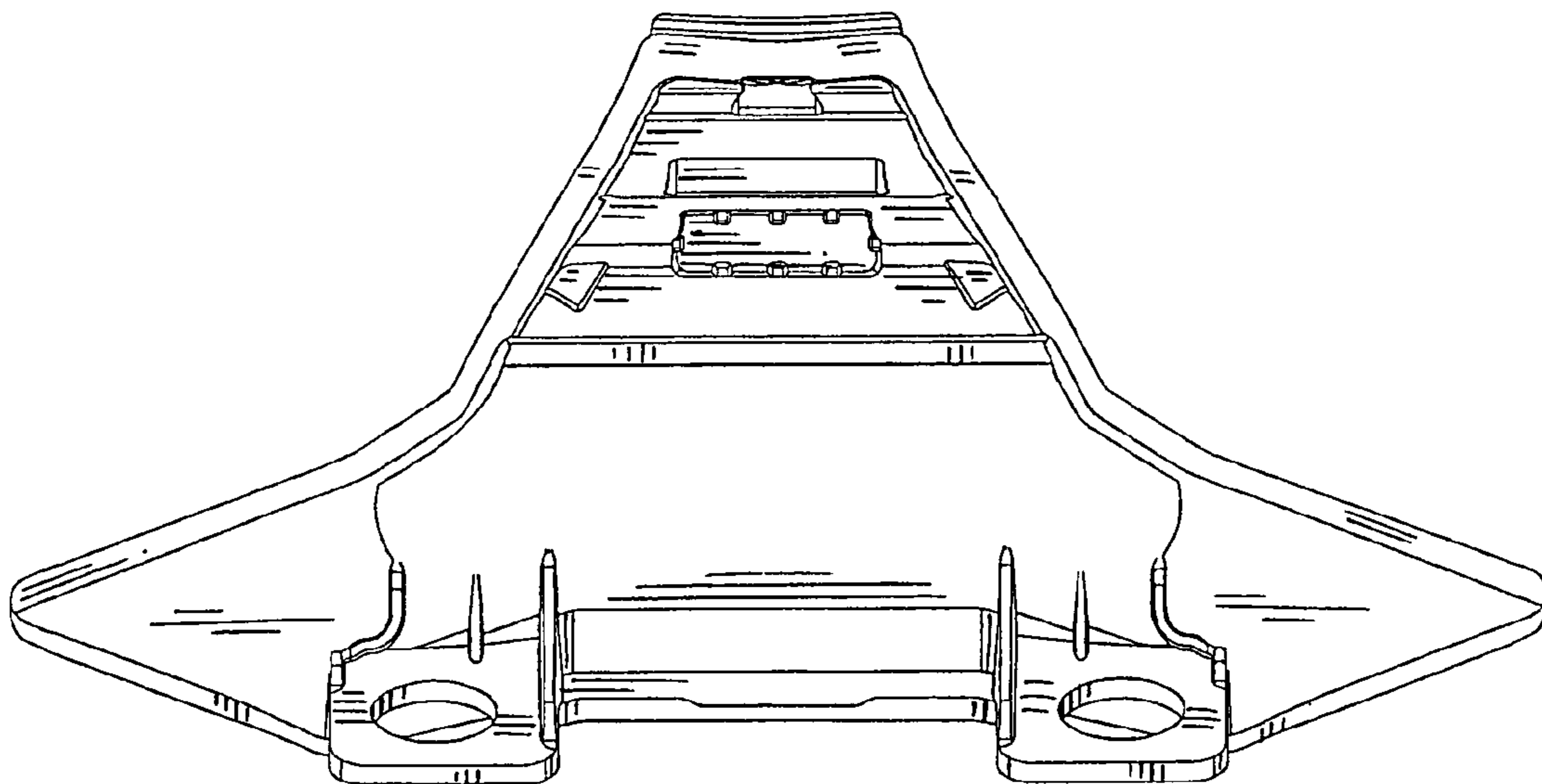


Fig. 3

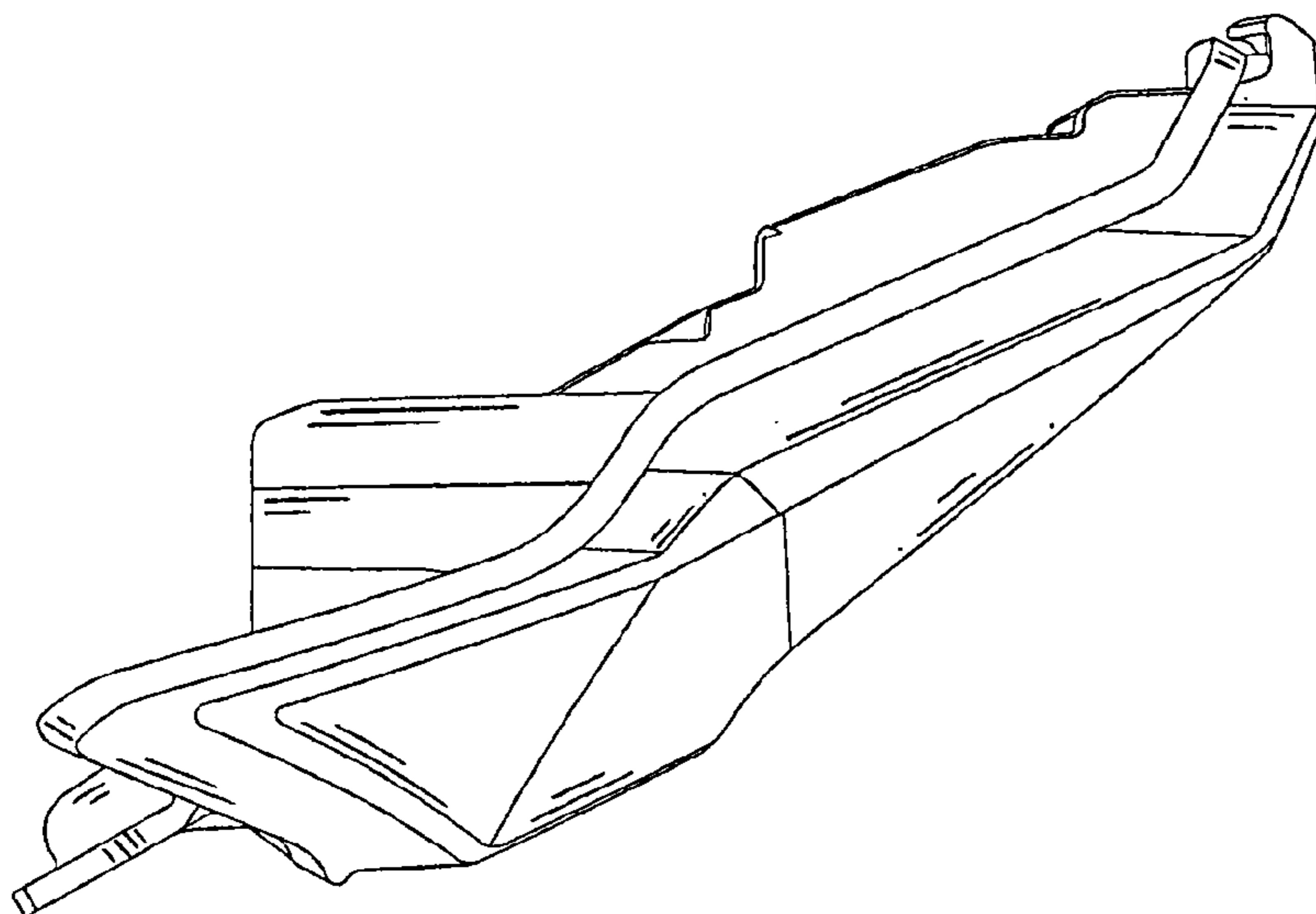


Fig. 4

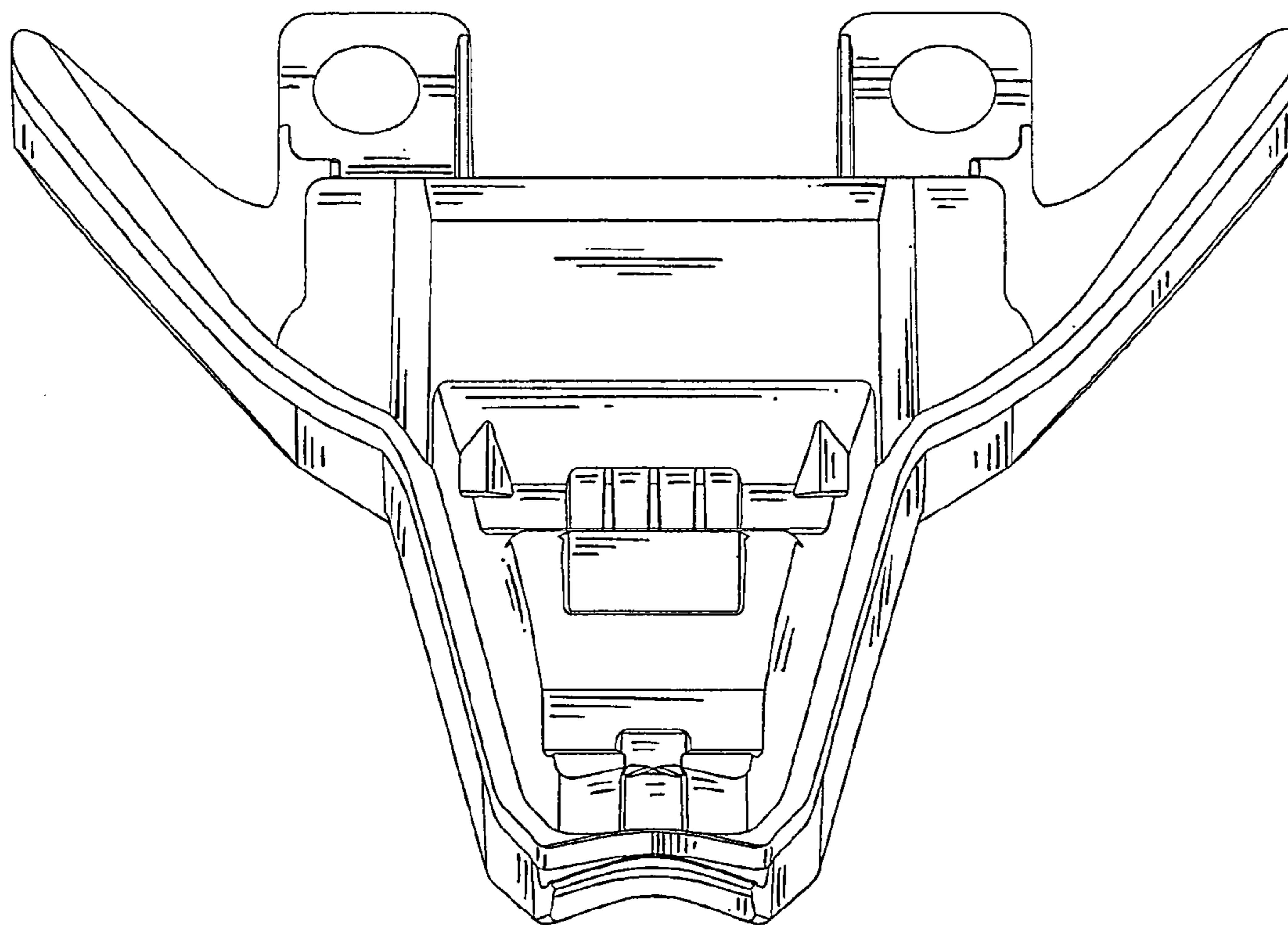


Fig. 5

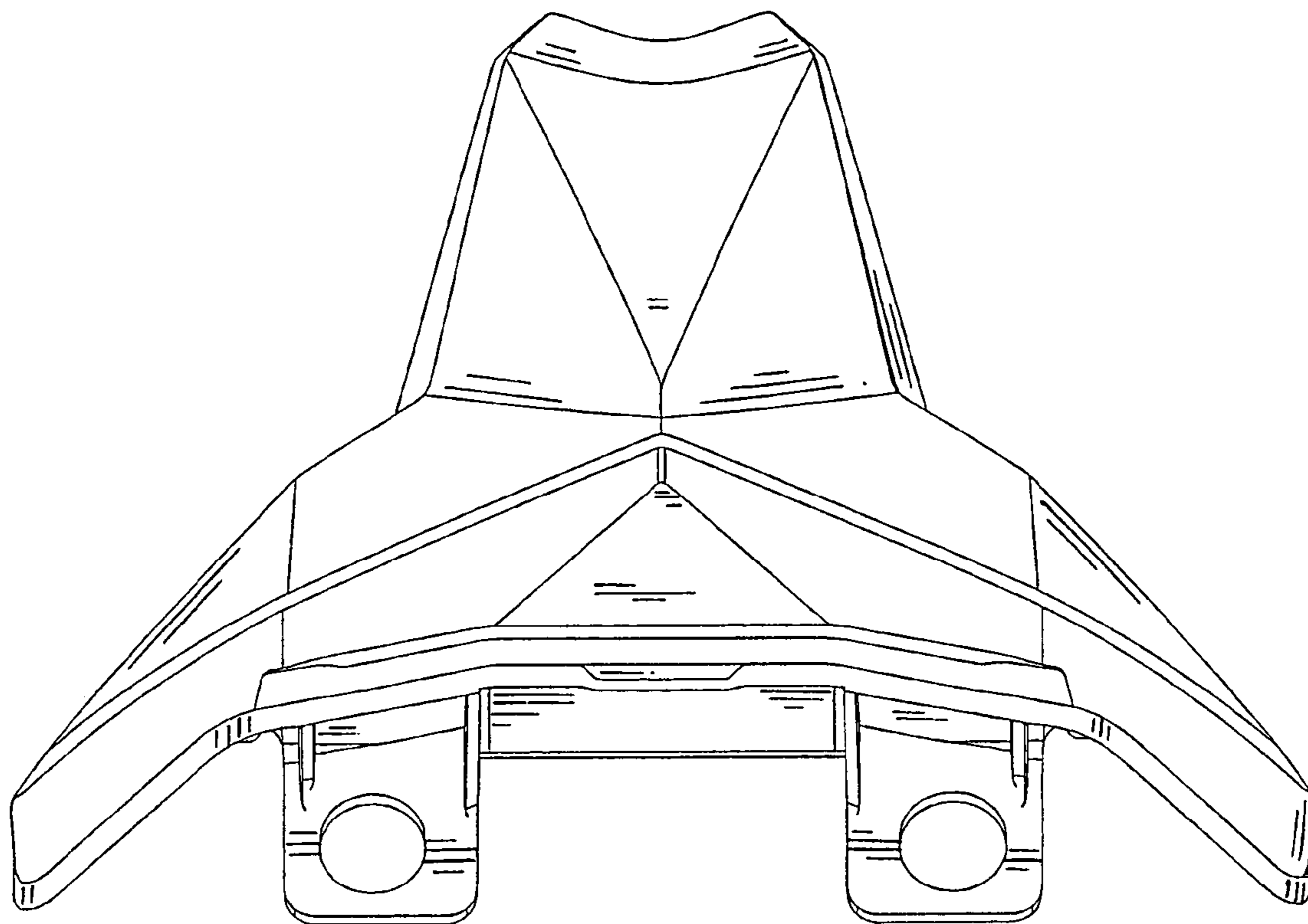


Fig. 6

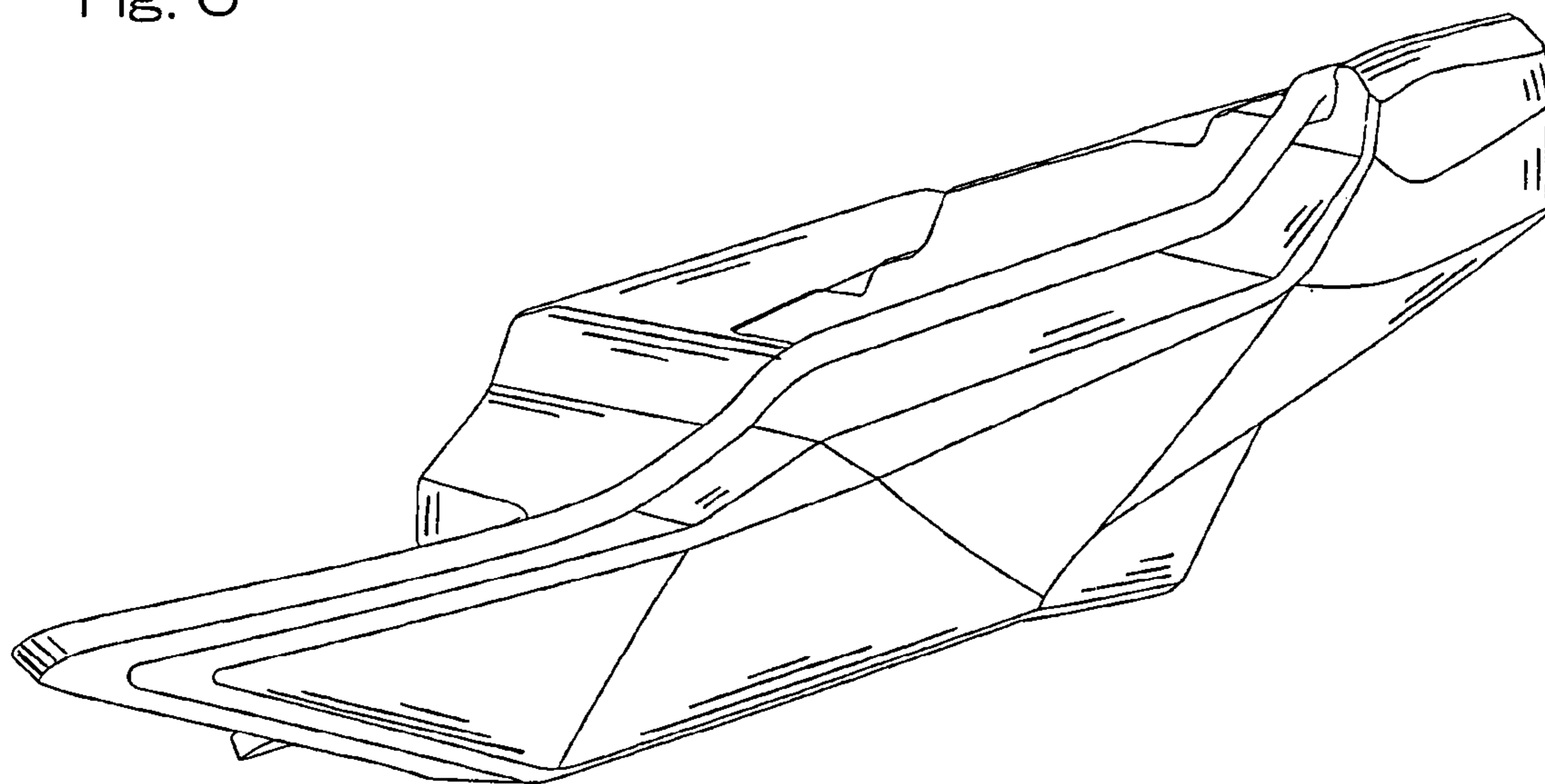


Fig. 7

