



US00D740975S

(12) **United States Design Patent**
Wheel

(10) **Patent No.:** **US D740,975 S**

(45) **Date of Patent:** **** Oct. 13, 2015**

(54) **VEHICLE LIGHT**

(71) Applicant: **Jaguar Land Rover Limited**, Coventry (GB)

(72) Inventor: **Andrew Wheel**, Coventry (GB)

(73) Assignee: **Jaguar Land Rover Limited** (GB)

(**) Term: **14 Years**

(21) Appl. No.: **29/463,211**

(22) Filed: **Sep. 6, 2013**

(30) **Foreign Application Priority Data**

Mar. 8, 2013 (EM) 002199075

Mar. 8, 2013 (EM) 002199216

(51) **LOC (10) CL.** **26-06**

(52) **U.S. CL.**
USPC **D26/28**

(58) **Field of Classification Search**

USPC D26/139, 28, 31, 34, 36, 140, 121;
362/341, 473, 475, 523, 84, 459-468,
362/485-487

CPC B62J 6/00; B62J 17/202
See application file for complete search history.

(56) **References Cited**

U.S. PATENT DOCUMENTS

D244,797 S *	6/1977	Leahy	D26/139
D531,328 S *	10/2006	Okamura et al.	D26/28
D538,956 S *	3/2007	Ishii	D26/28
D558,906 S *	1/2008	Golden et al.	D26/28
D577,841 S *	9/2008	Opfer et al.	D26/28
D605,318 S *	12/2009	Han et al.	D26/28
D665,109 S *	8/2012	Platto et al.	D26/28
D697,242 S *	1/2014	Hanson et al.	D26/28
D706,470 S *	6/2014	Lai	D26/28
D707,374 S *	6/2014	Kim et al.	D26/28
D708,374 S *	7/2014	Hirabayashi	D26/28

(Continued)

Primary Examiner — Ralf Seifert

(74) *Attorney, Agent, or Firm* — Fishman Stewart Yamaguchi PLLC

(57) **CLAIM**

The ornamental design for a vehicle light, as shown and described.

DESCRIPTION

The patent or application file contains at least one drawing executed in color. Copies of this patent or patent application publication with color drawings will be provided by the Office upon request and payment of the necessary fee.

FIG. 1 is a front perspective view of the frame portion of a vehicle light showing my new design, the light assembly has been removed for ease of illustration;

FIG. 2 is a rear perspective view of FIG. 1;

FIG. 3 is an outboard side view of FIG. 1;

FIG. 4 is an inboard side view of FIG. 1;

FIG. 5 is a front view of FIG. 1;

FIG. 6 is a rear view of FIG. 1;

FIG. 7 is a top view of FIG. 1;

FIG. 8 is a front view perspective of the vehicle light in color;

FIG. 9 is a rear perspective view of FIG. 8;

FIG. 10 is an outboard side view of FIG. 8;

FIG. 11 is an inboard side view of FIG. 8;

FIG. 12 is a front view of FIG. 8;

FIG. 13 is a rear view of FIG. 8;

FIG. 14 is a top view of FIG. 8;

FIG. 15 is a front perspective view of the vehicle light shown without color;

FIG. 16 is a rear perspective view of FIG. 15;

FIG. 17 is an outboard side view of FIG. 15;

FIG. 18 is an inboard side view of FIG. 15;

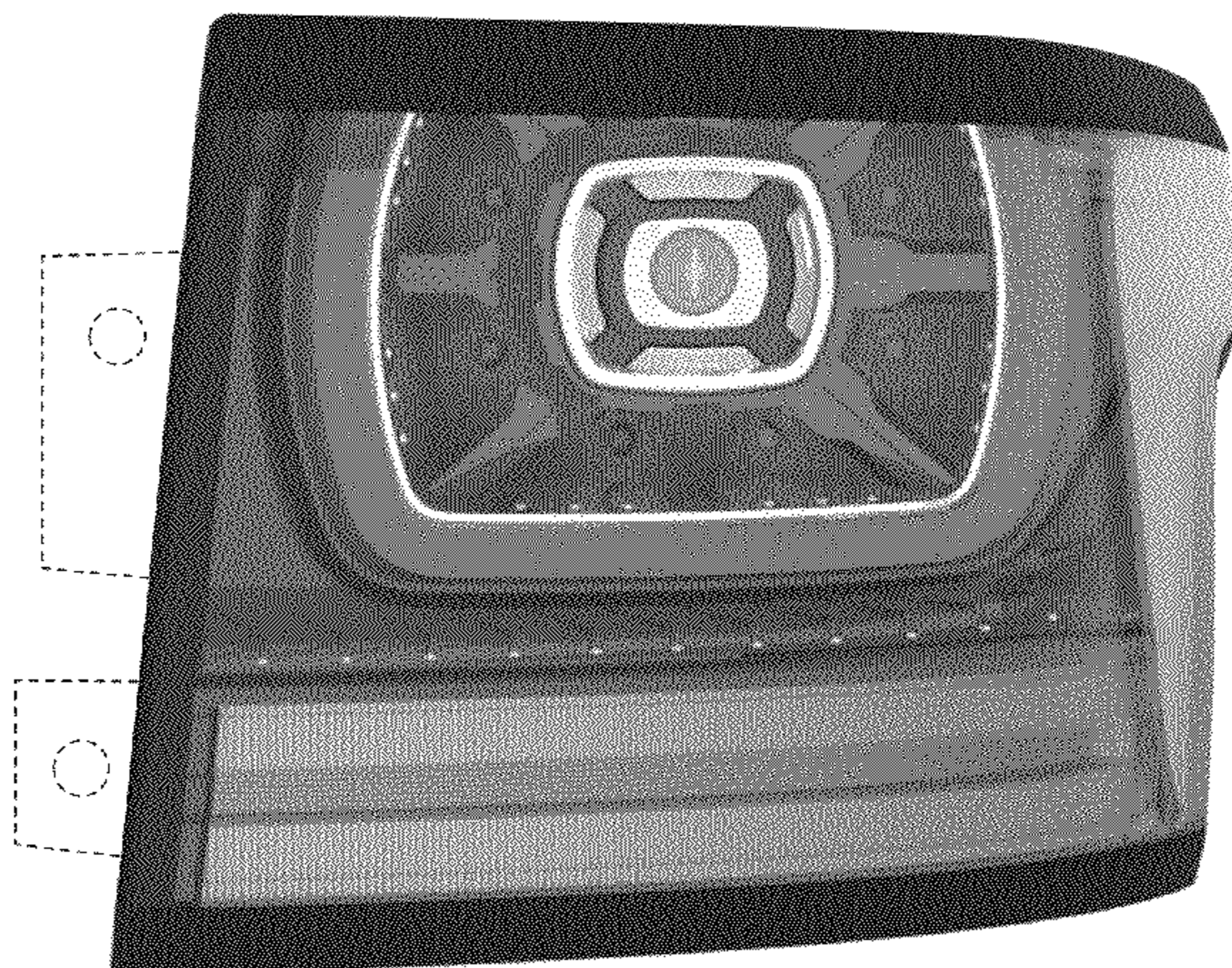
FIG. 19 is a front view of FIG. 15;

FIG. 20 is a rear view of FIG. 15; and,

FIG. 21 is a top view of FIG. 15.

Portions of FIGS. 1-21 that are shown with diagonal lines are for illustrative purpose only and form no part of the claimed design.

1 Claim, 12 Drawing Sheets
(3 of 12 Drawing Sheet(s) Filed in Color)



US D740,975 S

Page 2

(56)

References Cited

U.S. PATENT DOCUMENTS

D713,569 S * 9/2014 Badstuebner D26/28
D714,479 S * 9/2014 Nagasaka et al. D26/28

D716,478 S * 10/2014 Loeb D26/28
D720,869 S * 1/2015 Knoedle-Bunte et al. D26/28
D723,197 S * 2/2015 Campbell et al. D26/28

* cited by examiner

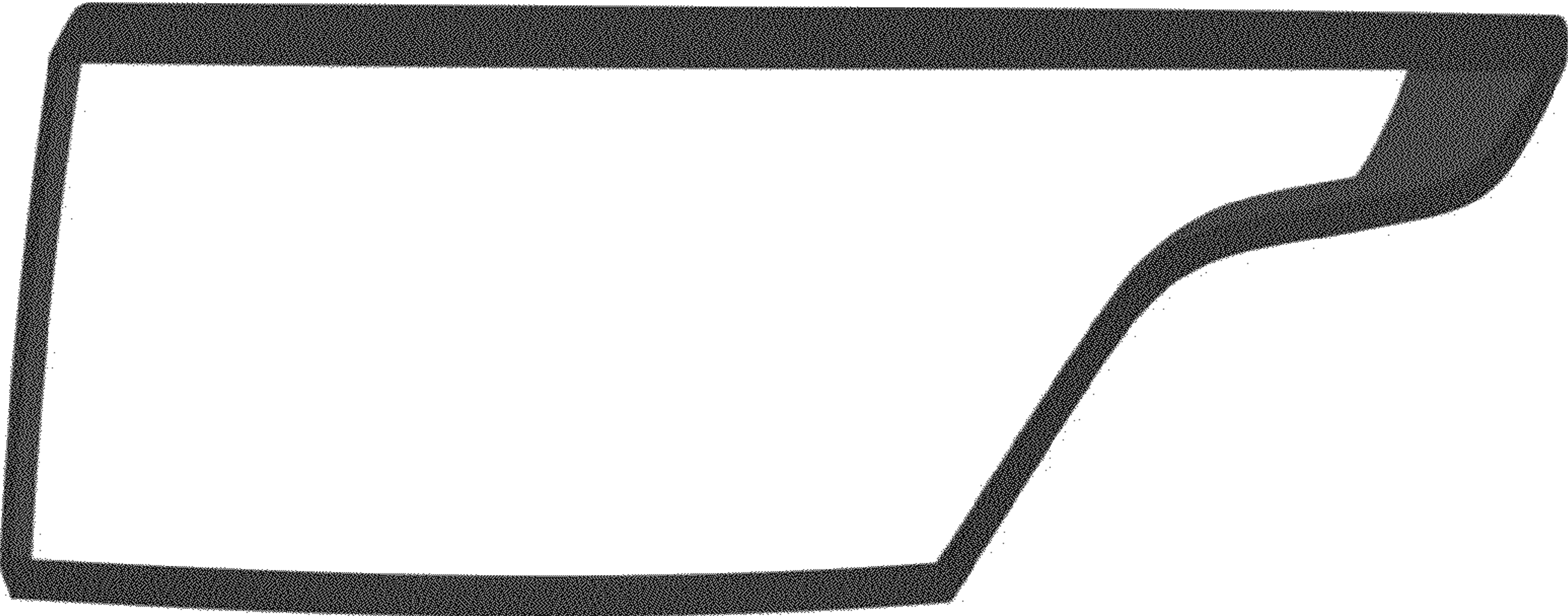


FIG. 1

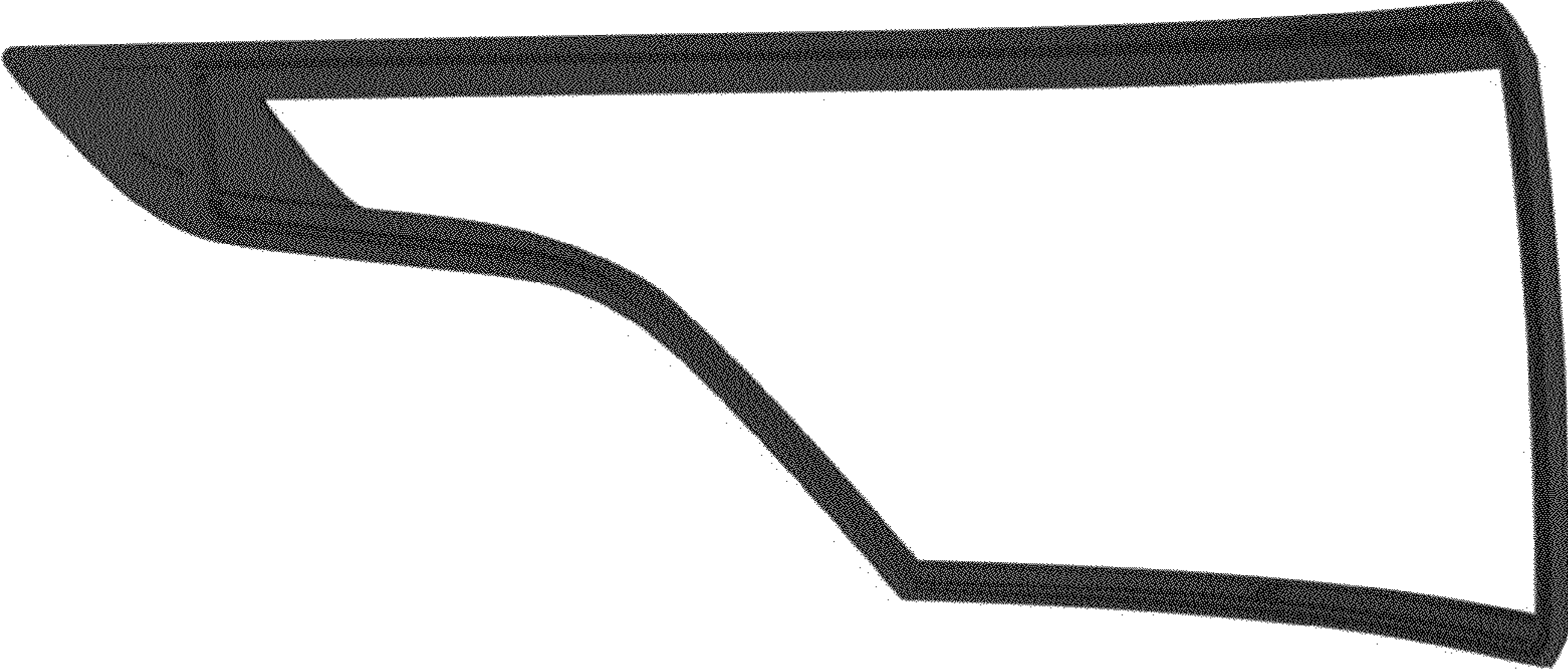


FIG. 2

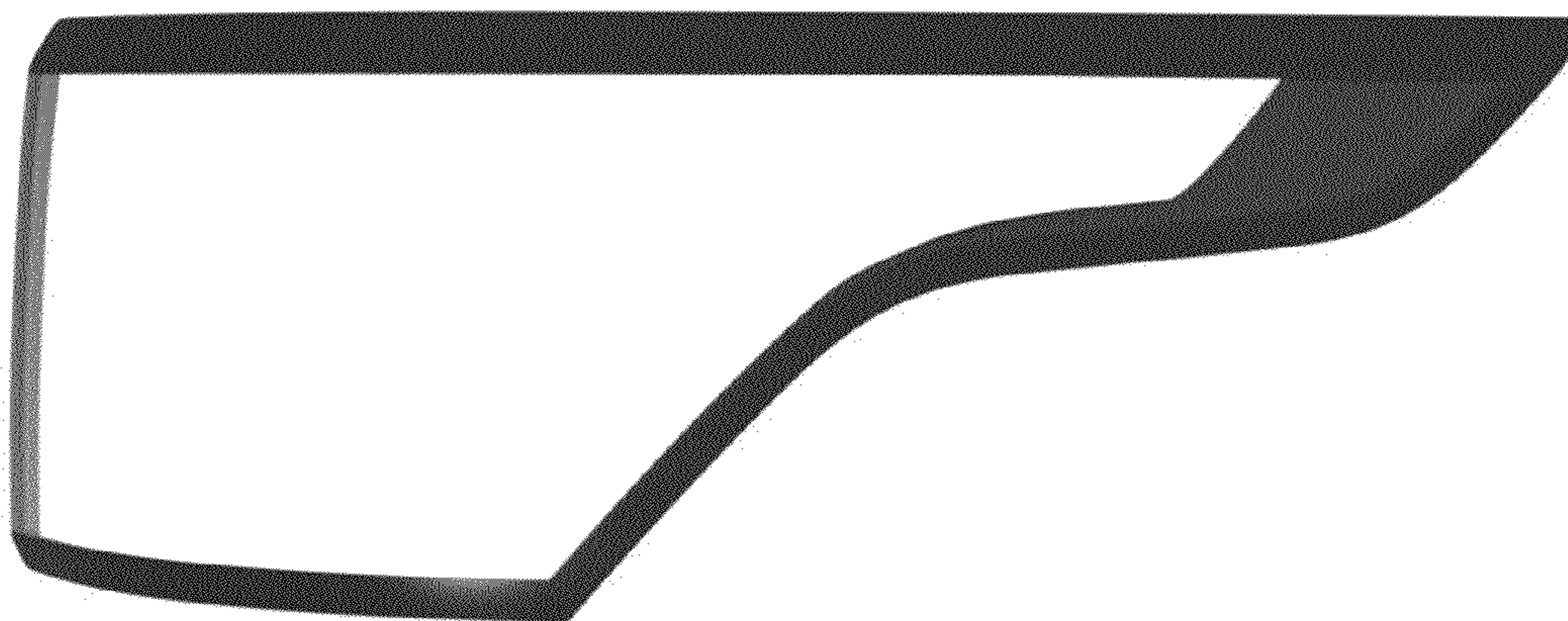


FIG. 3

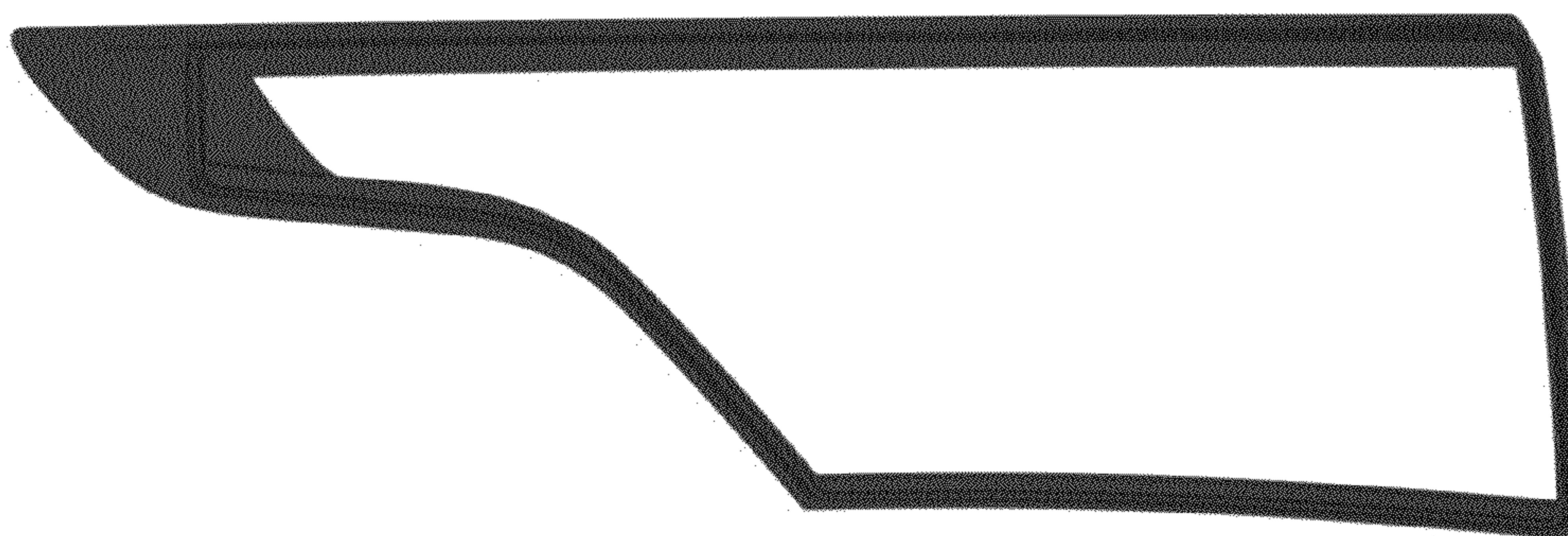


FIG. 4

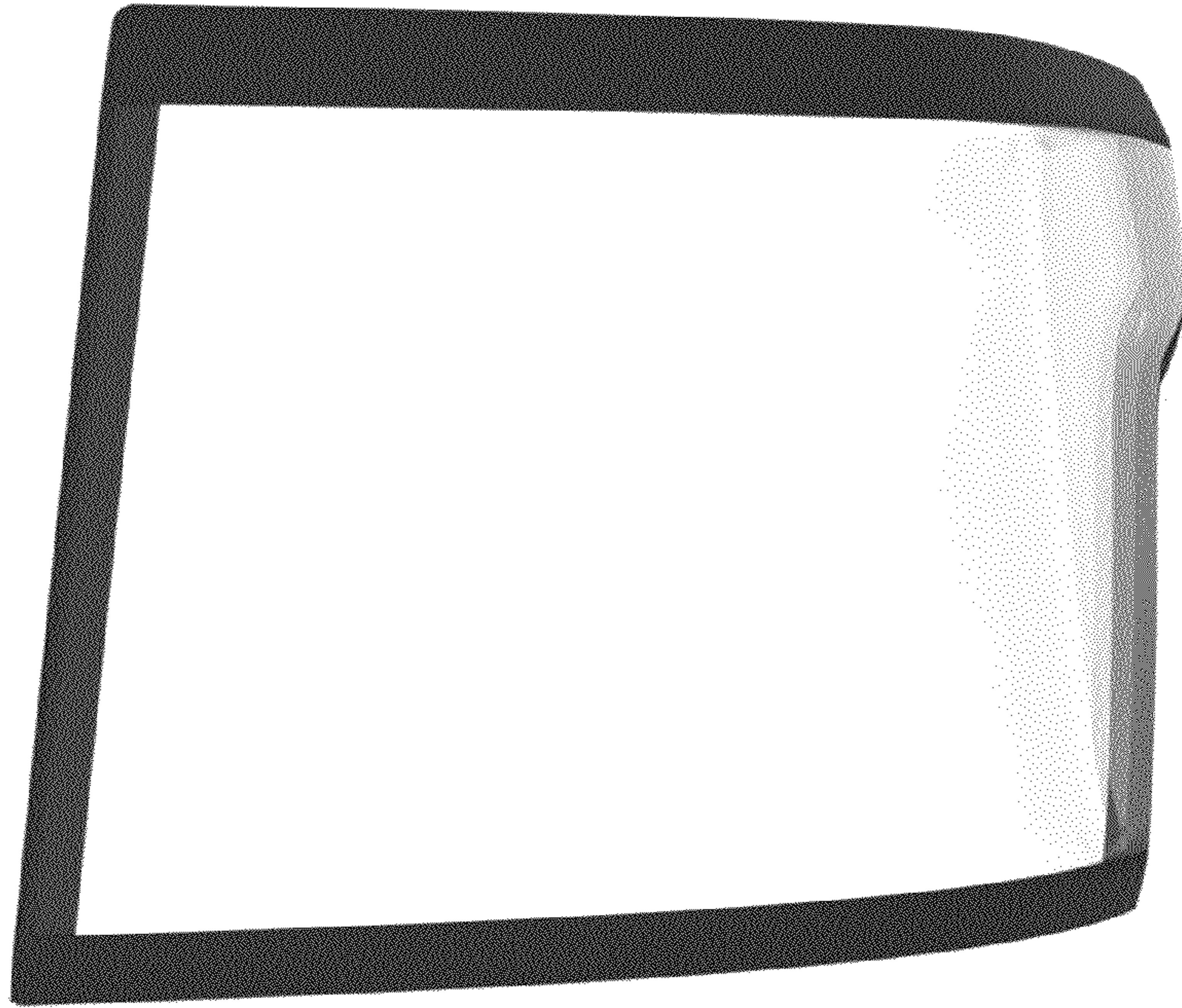


FIG. 5



FIG. 6



FIG. 7

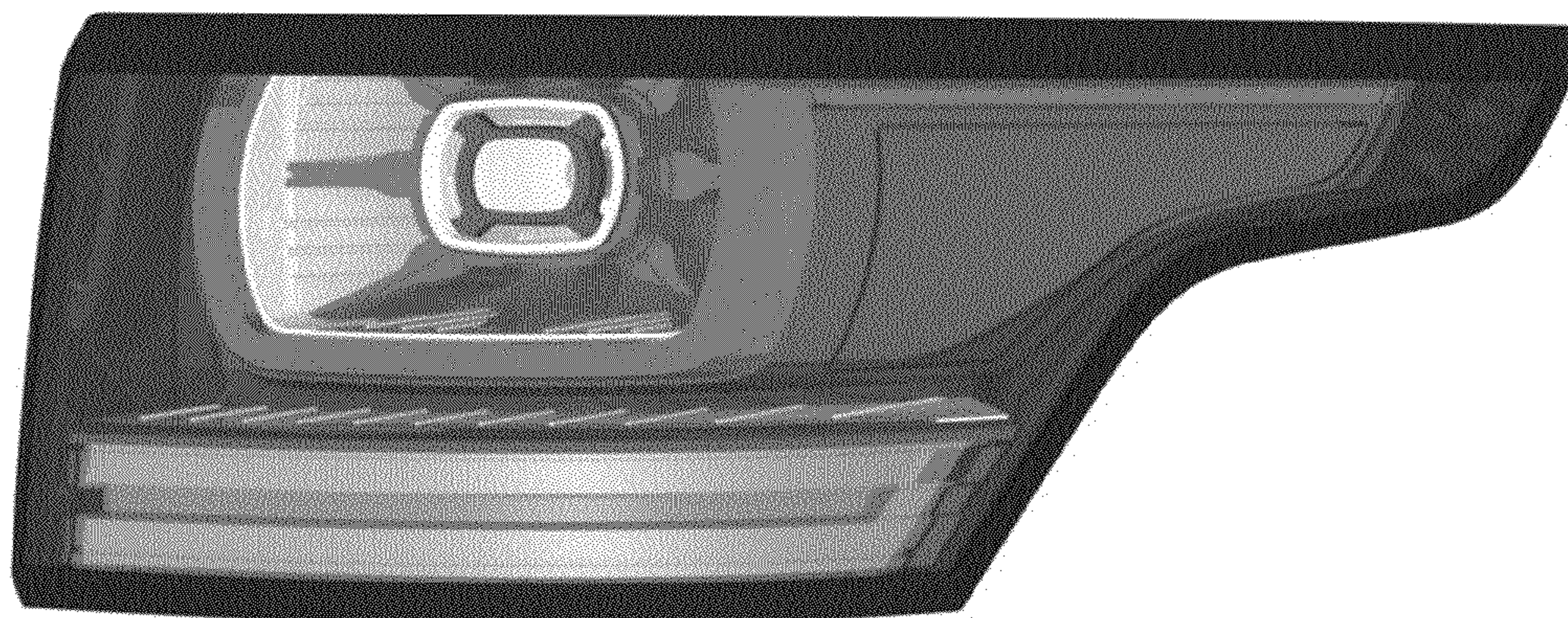


FIG. 8

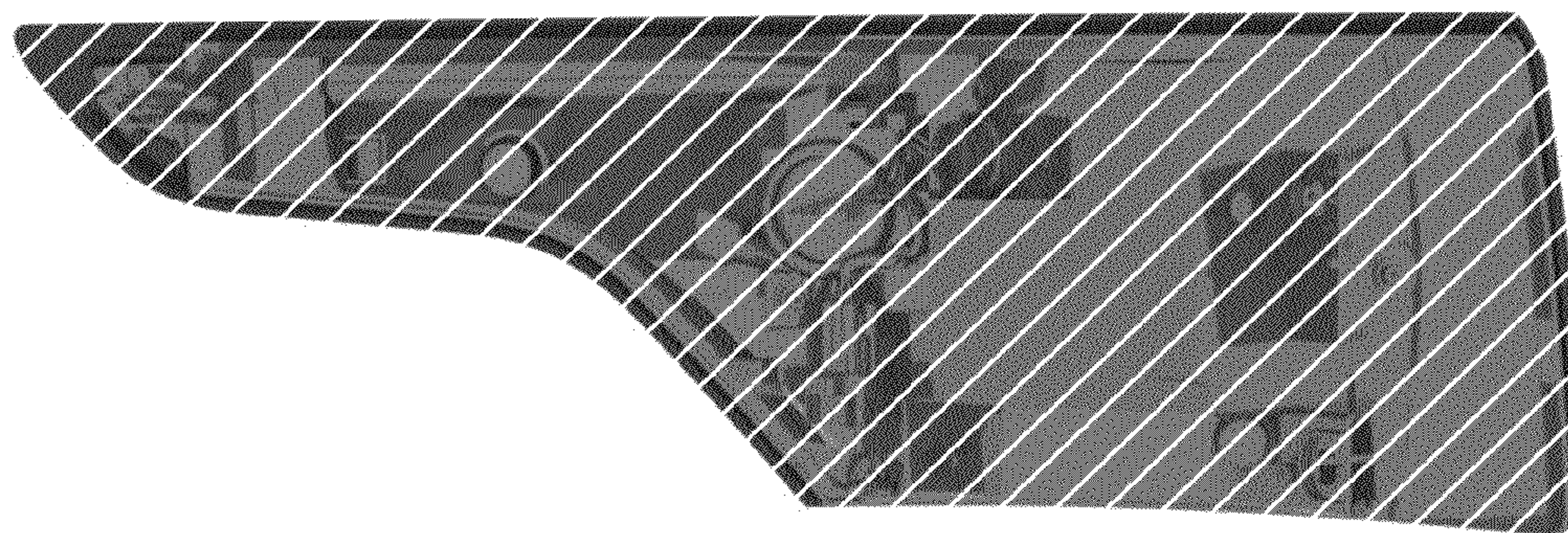


FIG. 9

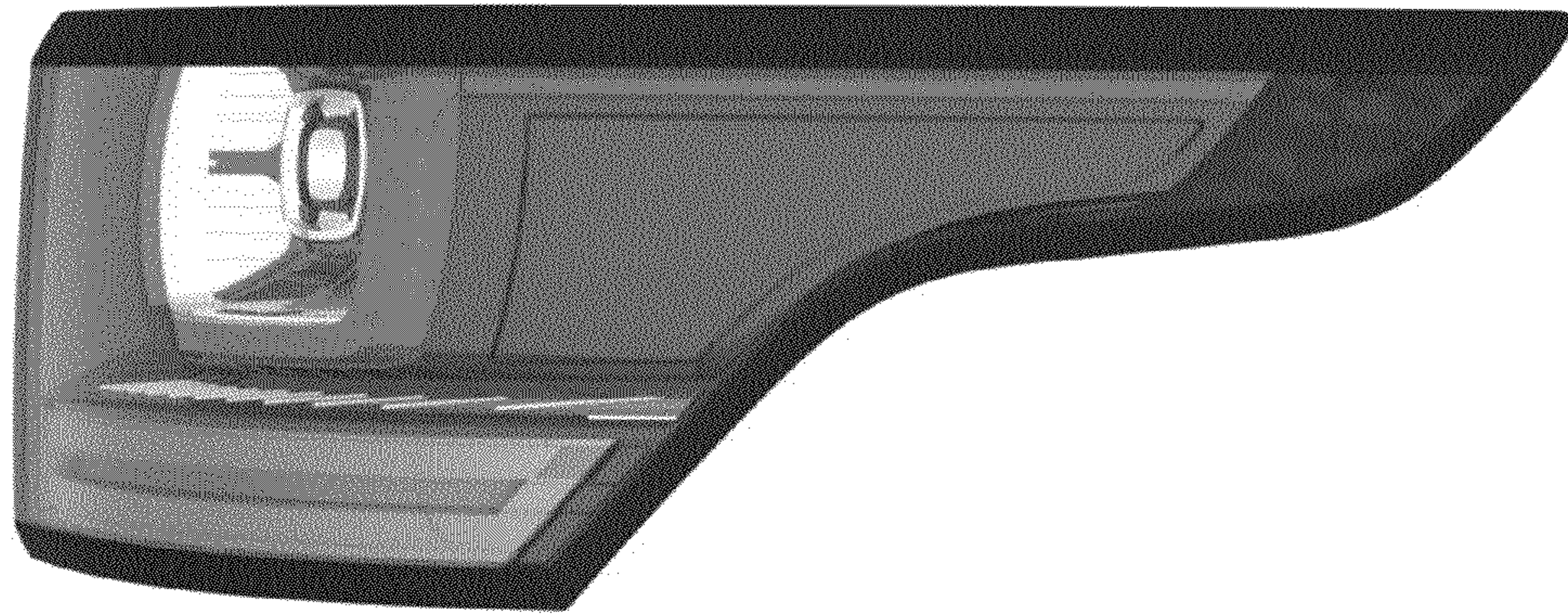


FIG. 10

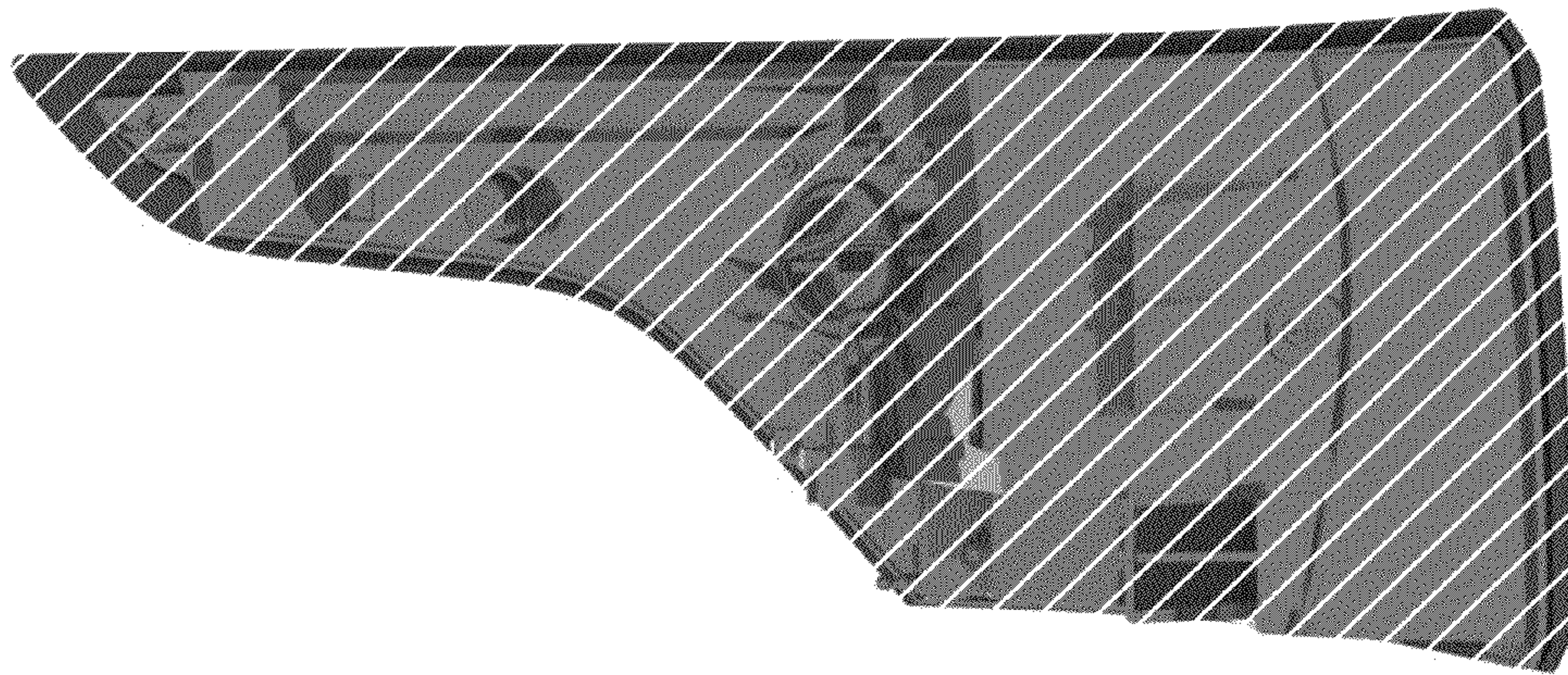


FIG. 11

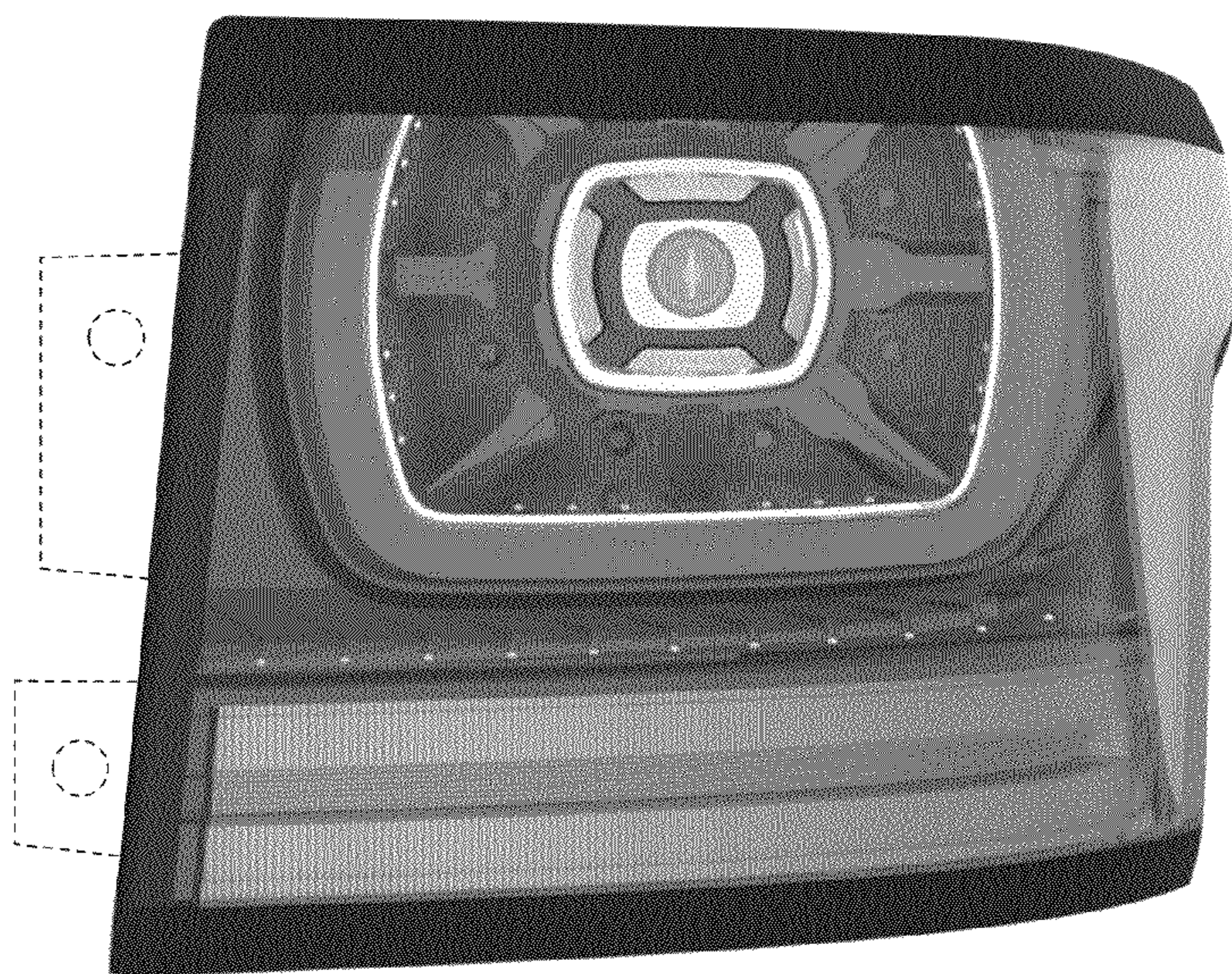


FIG. 12

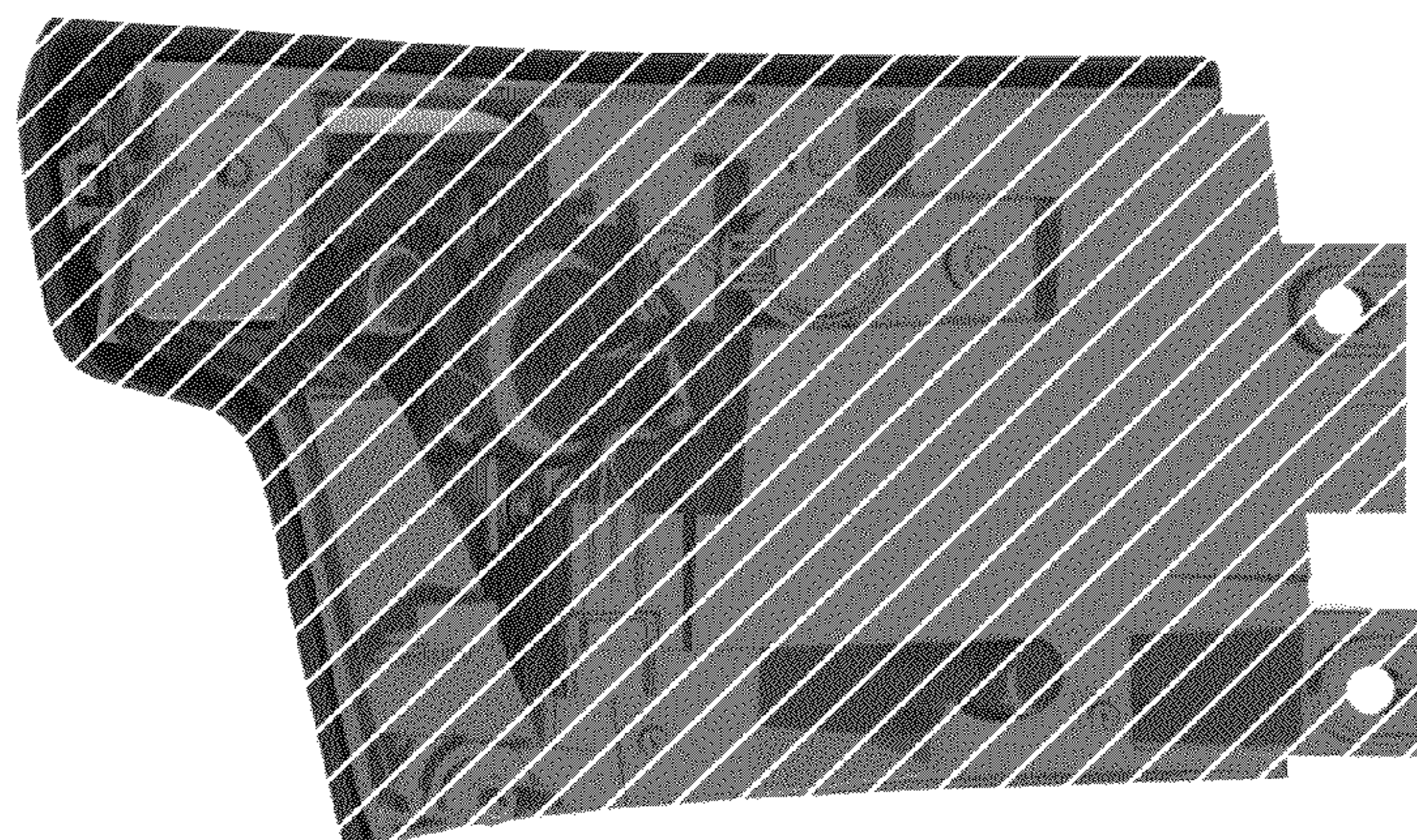


FIG. 13

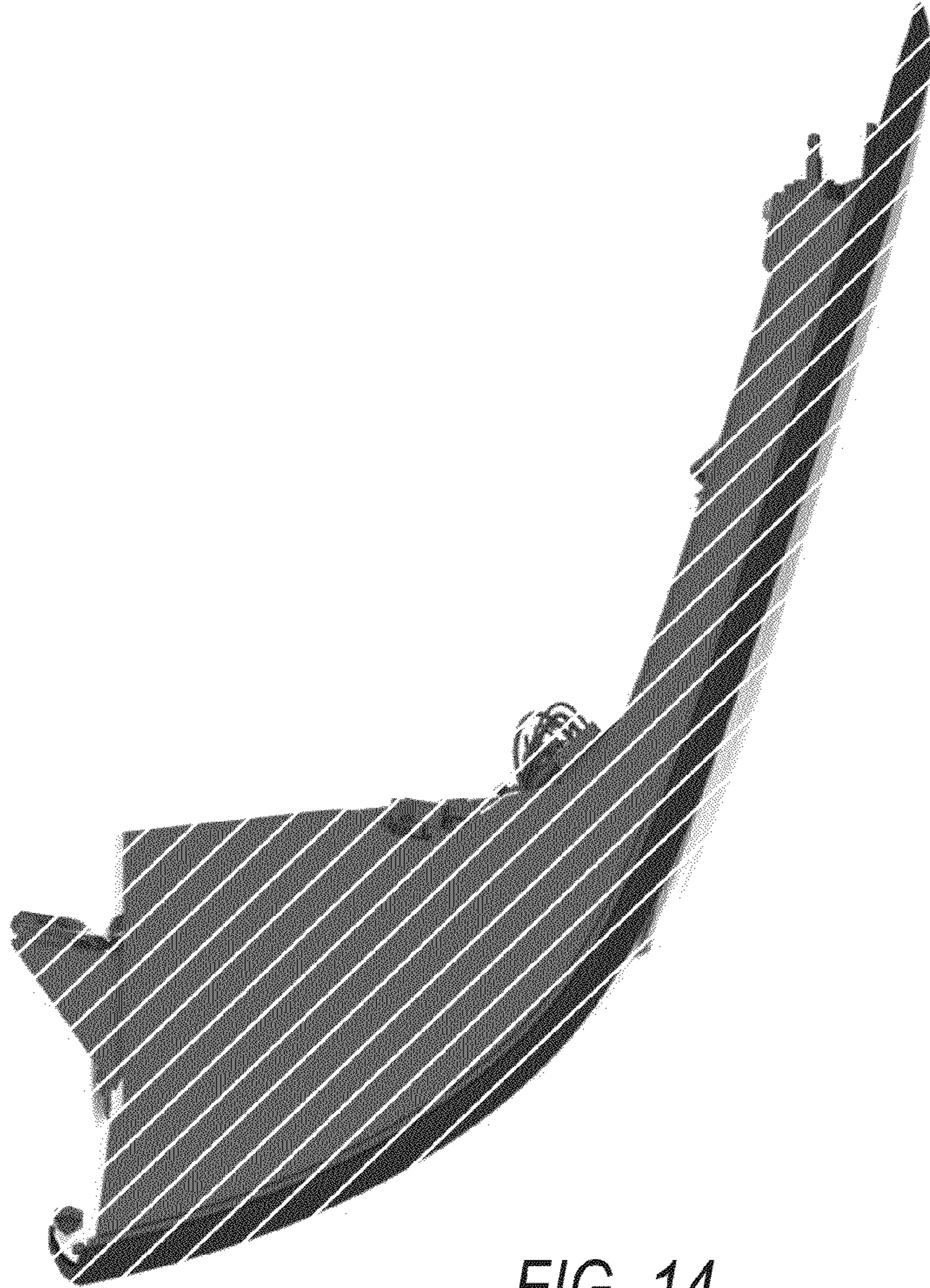


FIG. 14

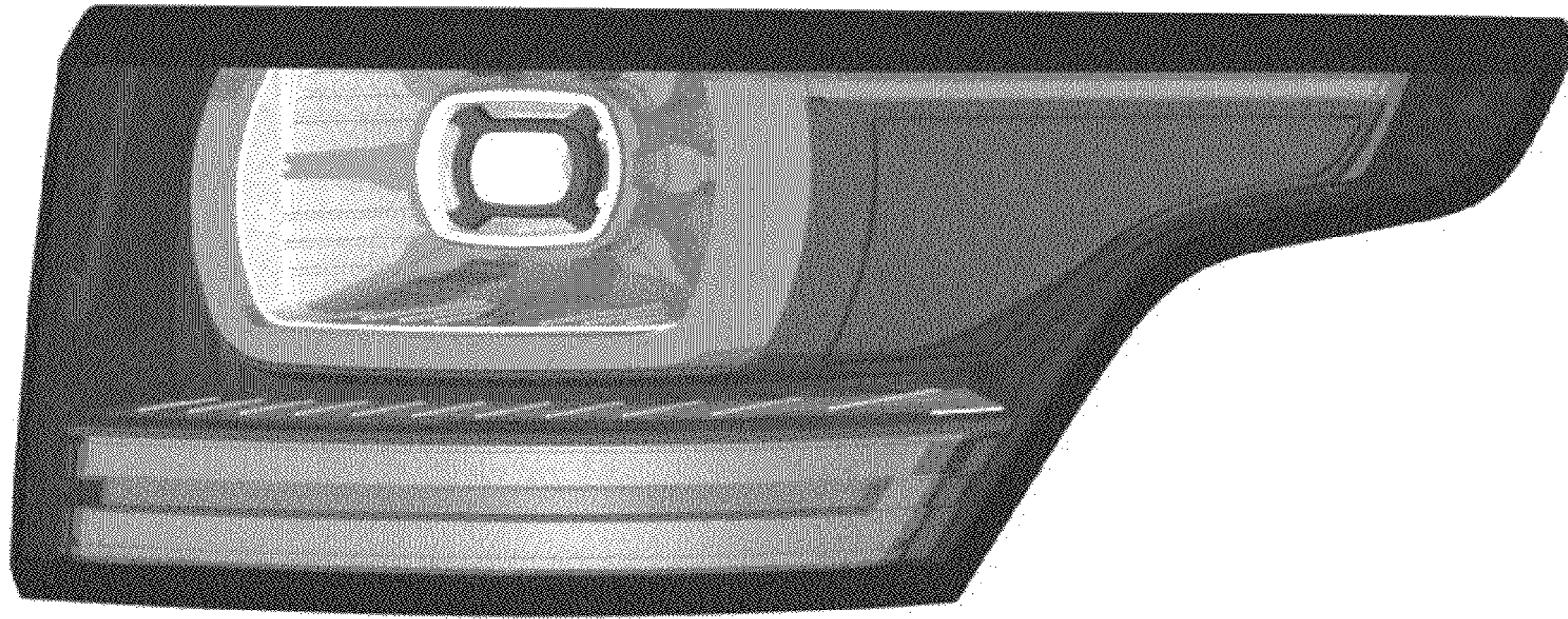


FIG. 15

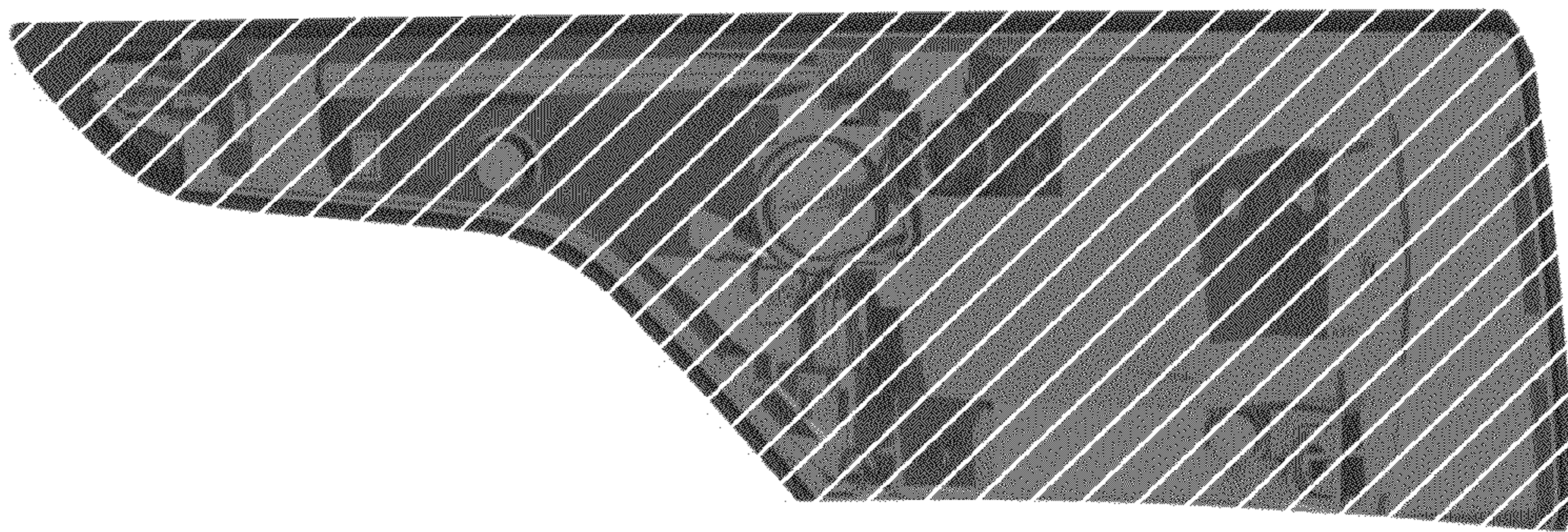


FIG. 16

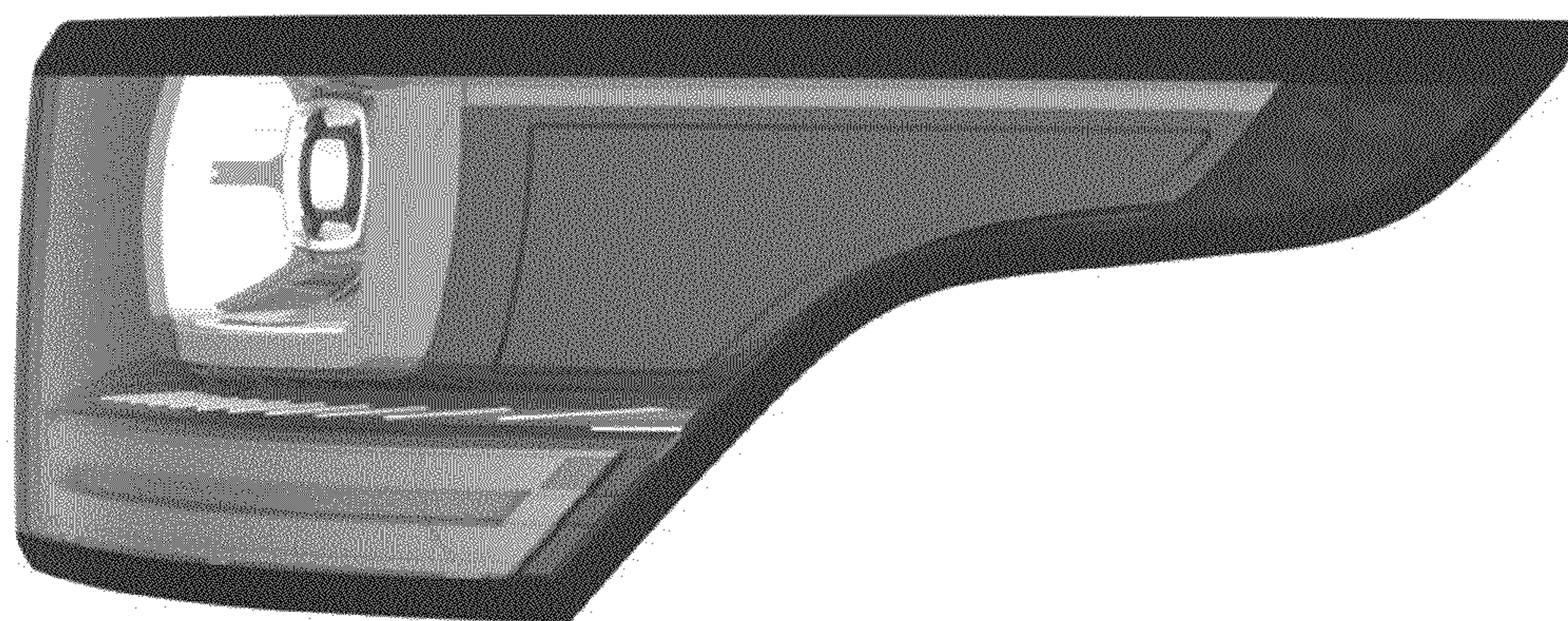


FIG. 17

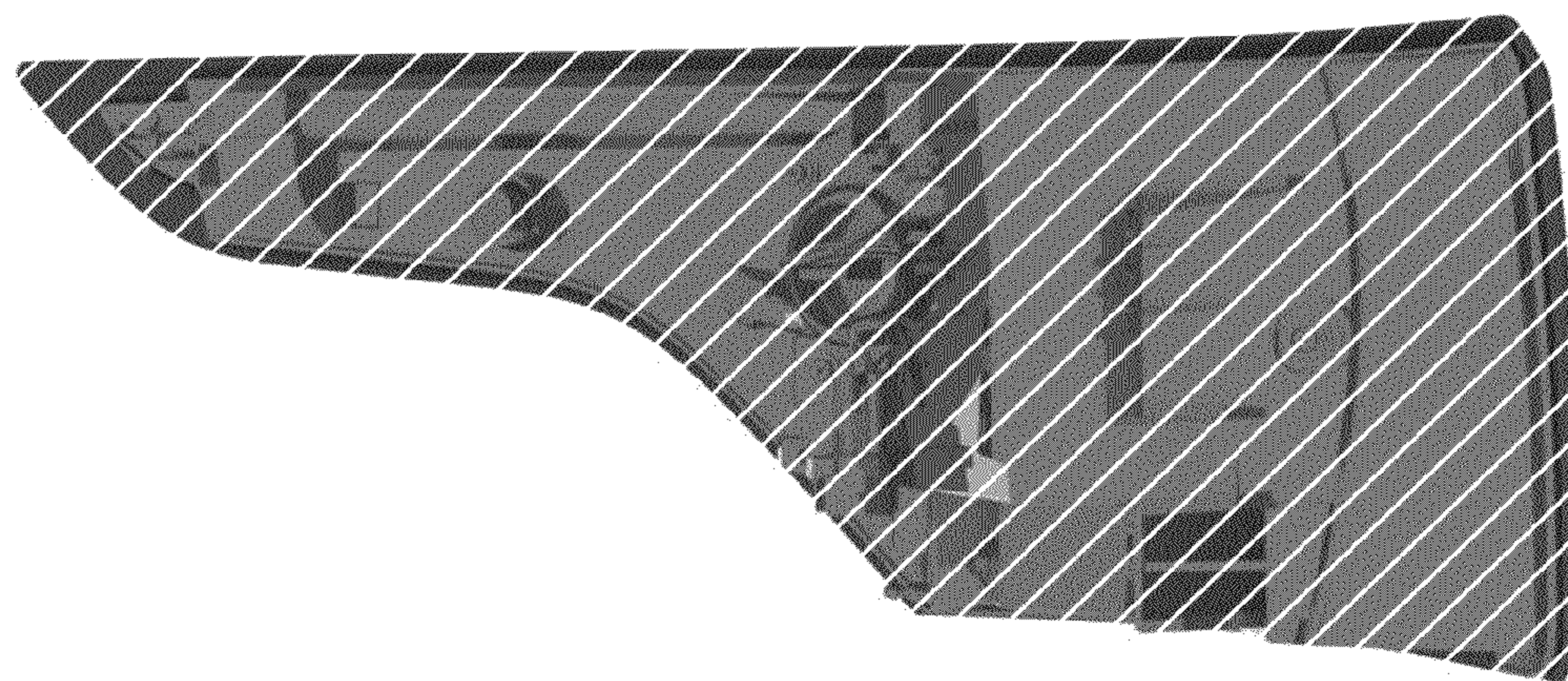


FIG. 18

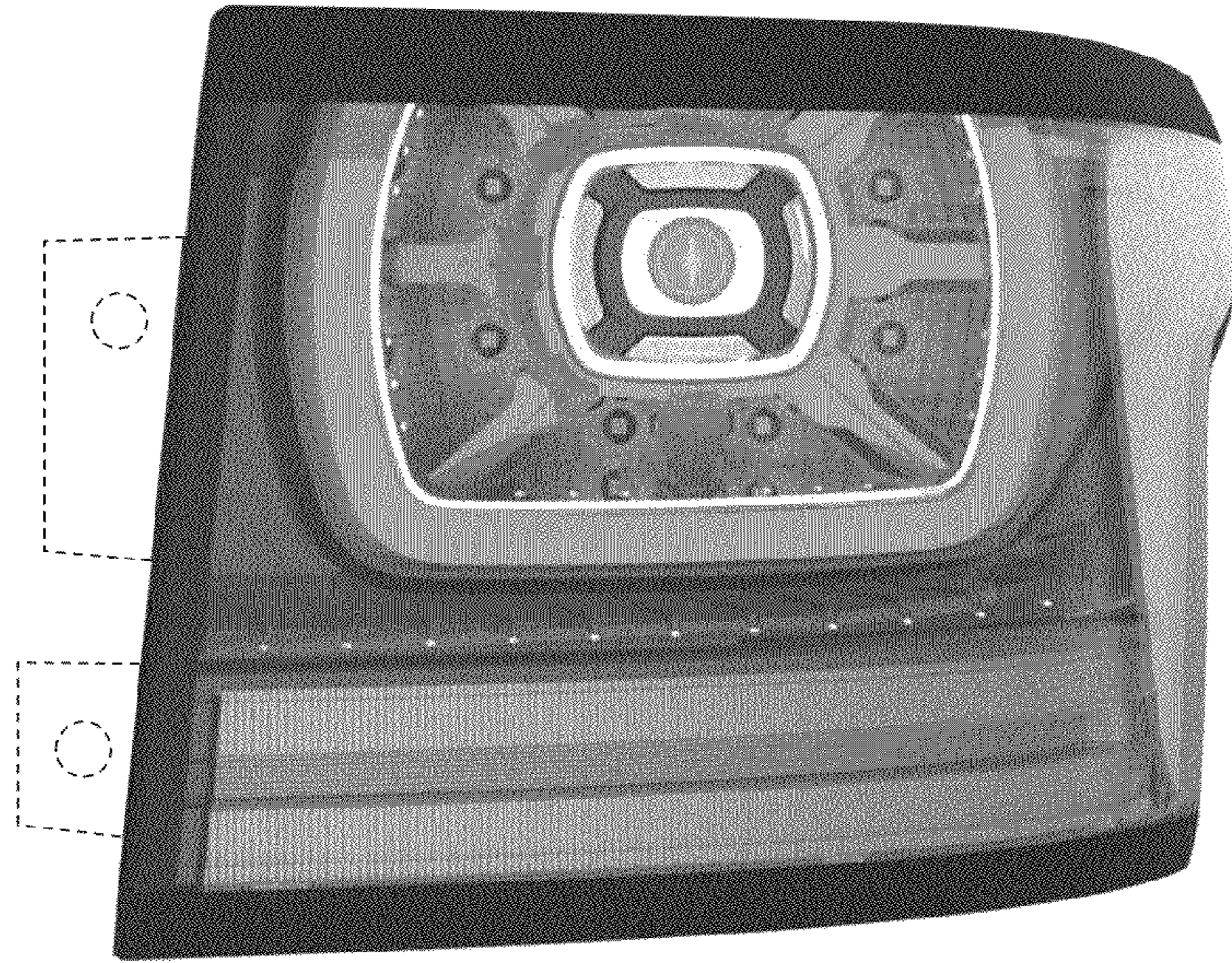


FIG. 19

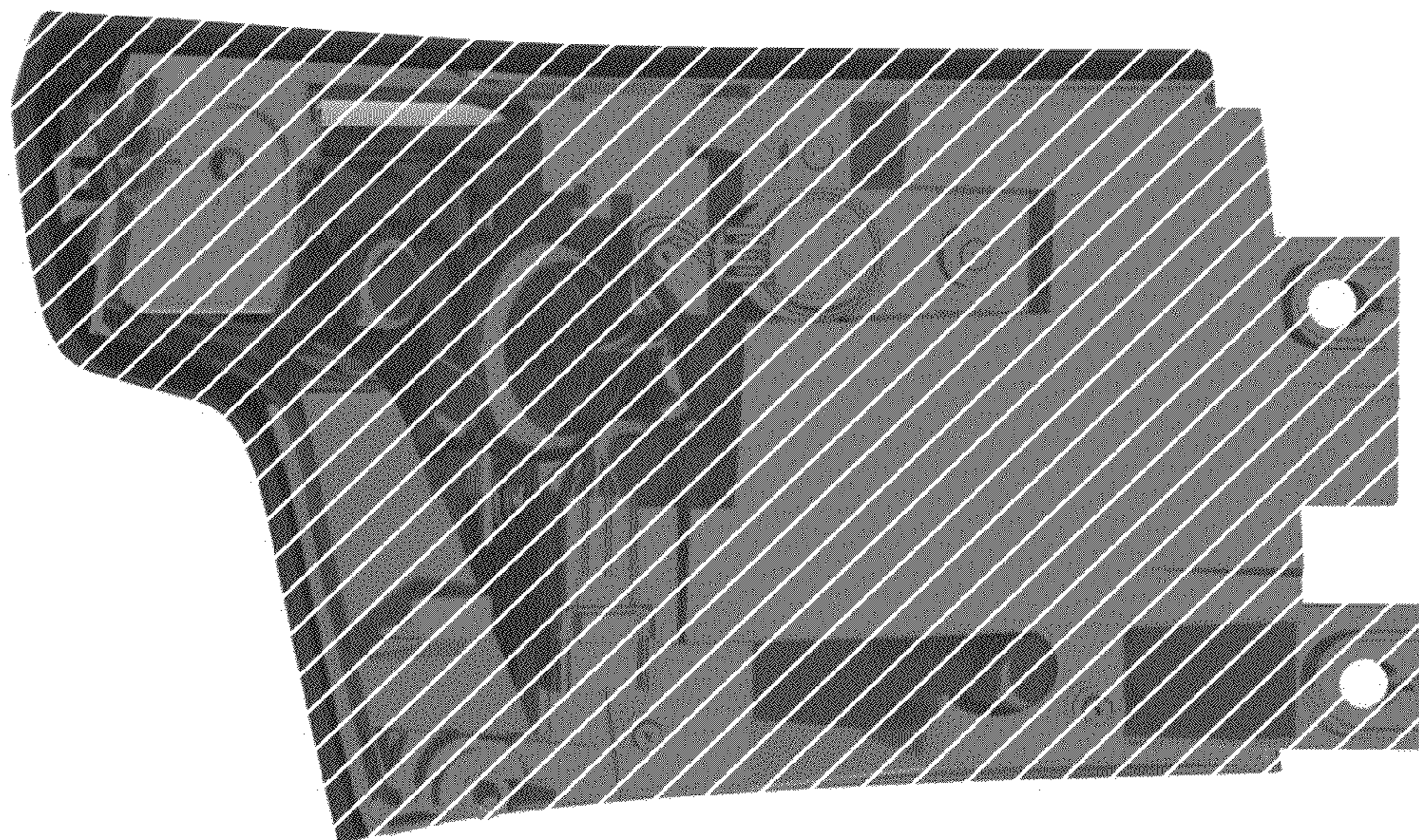


FIG. 20

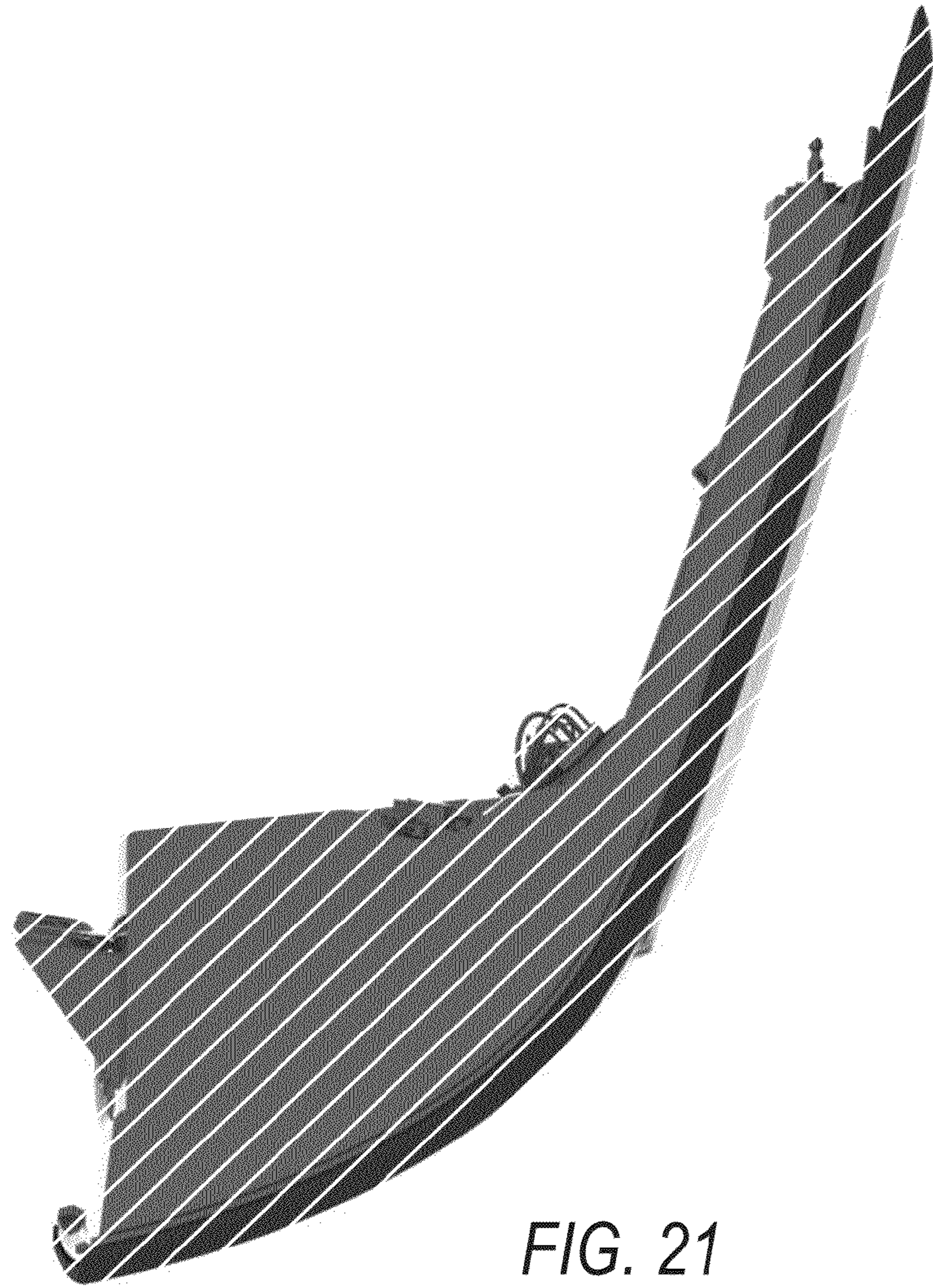


FIG. 21