



US00D740974S

(12) **United States Design Patent**
DelMuro

(10) **Patent No.:** **US D740,974 S**

(45) **Date of Patent:** **** Oct. 13, 2015**

(54) **DECORATIVE WINE BOTTLE**

(71) Applicant: **Refresh Glass, LLC**, Tempe, AZ (US)

(72) Inventor: **Raymond Howard DelMuro**, Tempe, AZ (US)

(73) Assignee: **Refresh Glass, LLC**, Tempe, AZ (US)

(**) Term: **14 Years**

(21) Appl. No.: **29/459,691**

(22) Filed: **Jul. 2, 2013**

(51) **LOC (10) Cl.** **23-01**

(52) **U.S. Cl.**
USPC **D26/16; D26/22**

(58) **Field of Classification Search**
USPC D26/22, 9, 1, 19, 20, 52, 6, 10, 11, 12,
D26/13, 14, 15, 16, 7, 23, 96, 101, 102,
D26/116; 431/589, 290-295, 288, 125, 126,
431/366, 369; 392/418, 390, 403-406
See application file for complete search history.

(56) **References Cited**

U.S. PATENT DOCUMENTS

4,184,195	A	1/1980	Duncan	
D305,801	S	1/1990	Herb	
D321,261	S	* 10/1991	Shiraishi	D26/11
D389,364	S	1/1998	Vallarella et al.	
D637,750	S	5/2011	Griffiths et al.	
D645,174	S	* 9/2011	Johnson	D26/9
D663,883	S	7/2012	Johnson	

D703,844	S	*	4/2014	Koskinen	D26/22
2002/0048739	A1	*	4/2002	Chu	431/291
2011/0053104	A1	*	3/2011	Rindom	431/289

OTHER PUBLICATIONS

Blumoonstudio Light.
Layered Bottles.
Mardi Gras Beads Light.
Tumblers BottleHood.
Wine Bottle Floating Candle Holders.
Wine Glass in a Bottle Candle Holder.

* cited by examiner

Primary Examiner — T. Chase Nelson

Assistant Examiner — Ania Aman

(74) *Attorney, Agent, or Firm* — Bryan Cave LLP

(57) **CLAIM**

I claim the ornamental design for the decorative wine bottle, substantially as shown and described.

DESCRIPTION

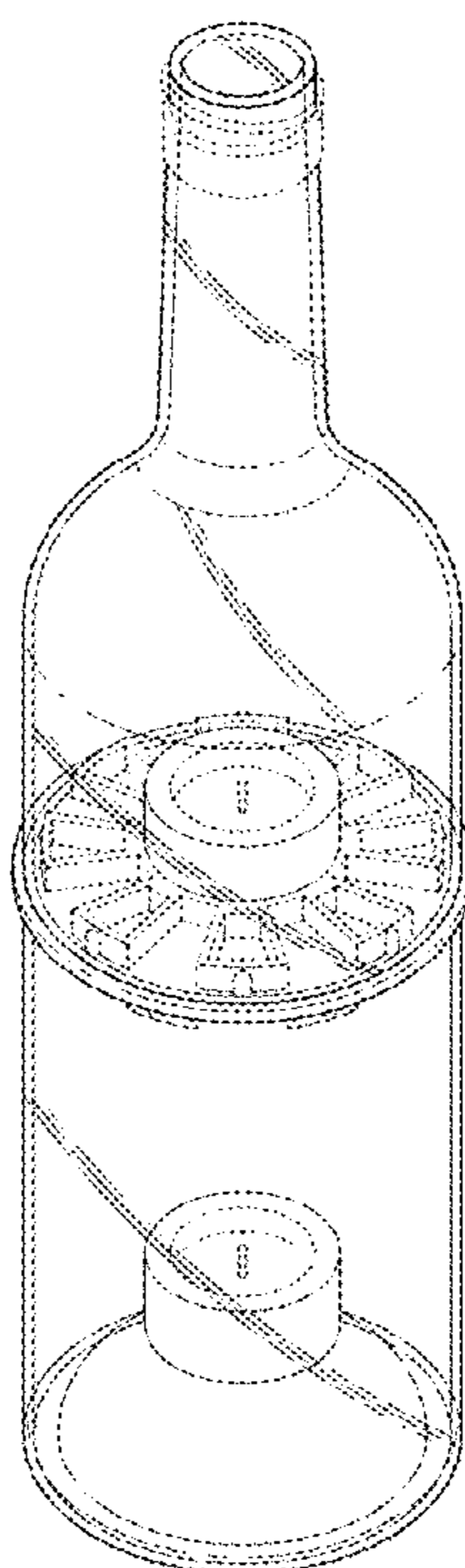
FIG. 1 is a top, front perspective view of a decorative wine bottle;

FIG. 2 is a left side elevational view of the decorative wine bottle, where the right side elevational view, the front elevational view, and the back elevational view are identical images thereof;

FIG. 3 is a top plan view of the decorative wine bottle; and, FIG. 4 is a bottom plan view of the decorative wine bottle.

The broken lines shown in the drawings are for the purpose of illustrating portions of the article that form no part of the claimed design.

1 Claim, 2 Drawing Sheets



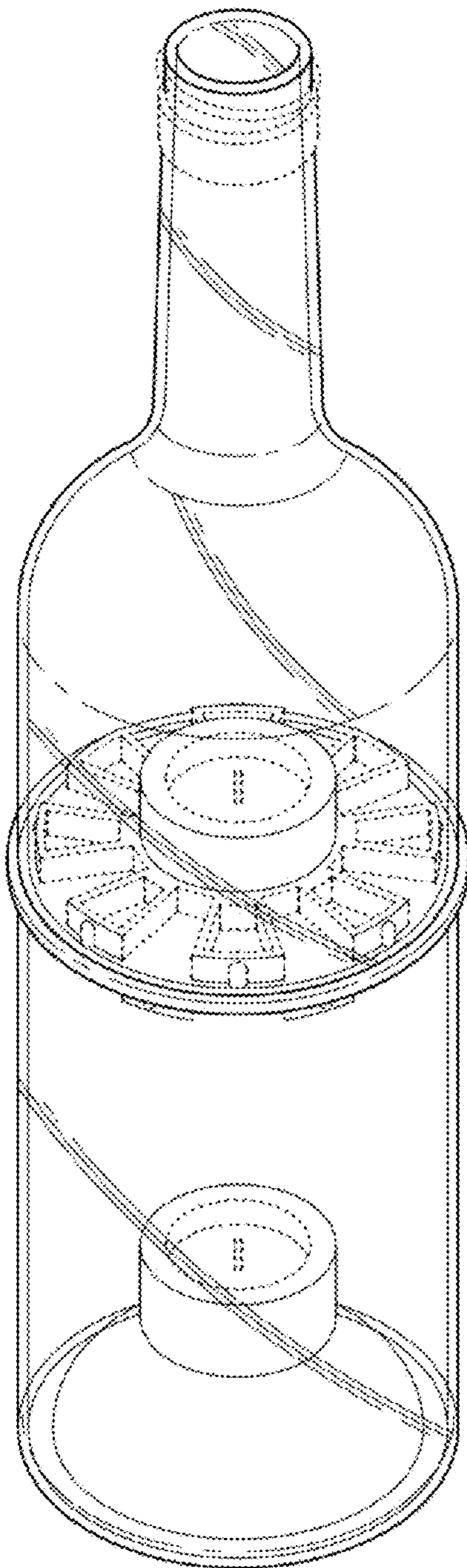


FIG. 1

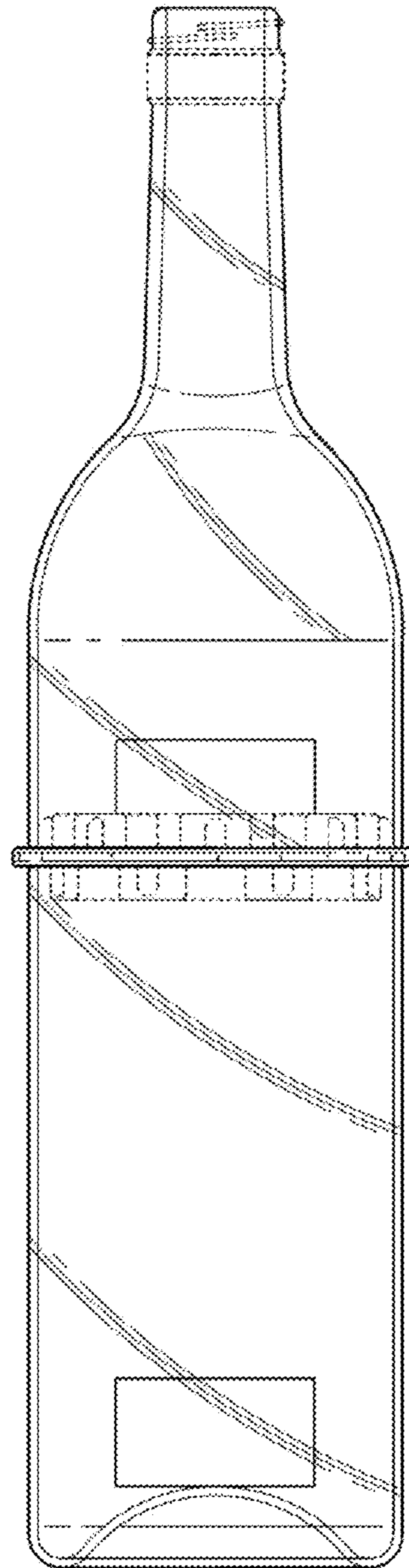


FIG. 2

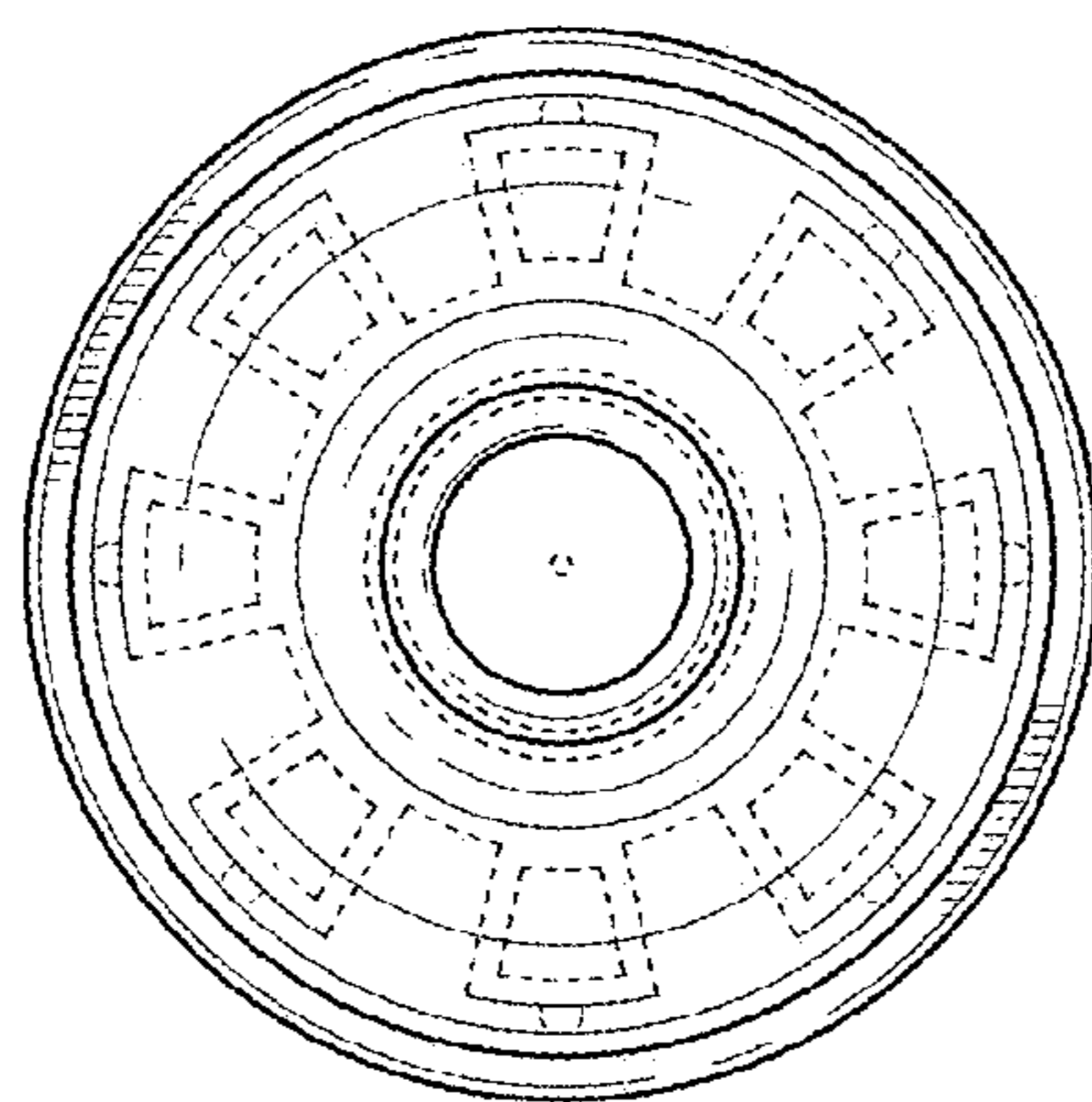


FIG. 3

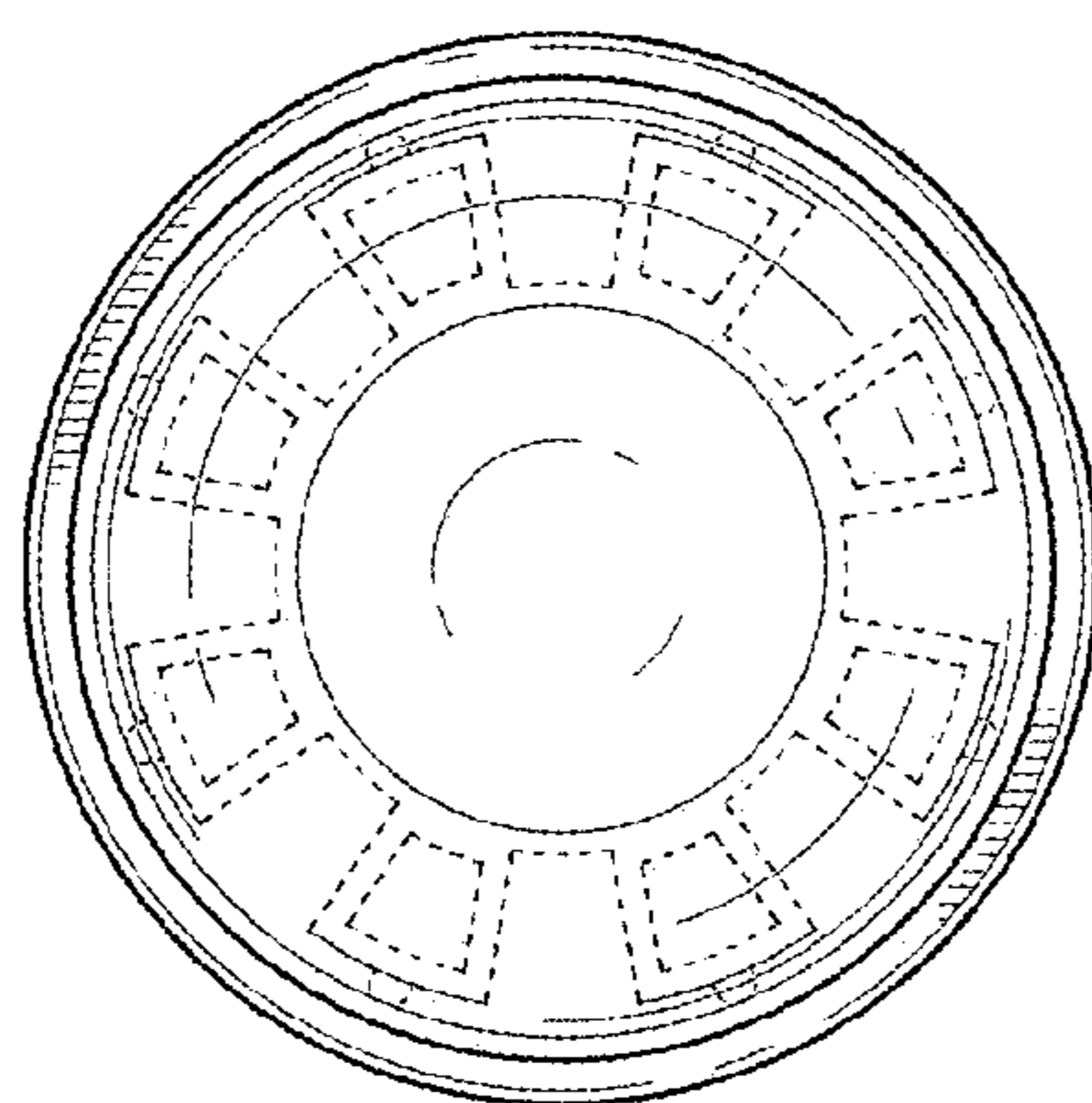


FIG. 4