



US00D740972S

(12) **United States Design Patent**
Bernard et al.

(10) **Patent No.:** **US D740,972 S**
(45) **Date of Patent:** **** Oct. 13, 2015**

(54) **LAMP**

7,976,196 B2 7/2011 Ivey et al.
8,058,659 B2 11/2011 Bisberg
8,093,823 B1 1/2012 Ivey et al.

(71) Applicant: **Cree, Inc.**, Durham, NC (US)

(Continued)

(72) Inventors: **Randall Levy Bernard**, Cary, NC (US);
Nathan Ray Snell, Raleigh, NC (US)

FOREIGN PATENT DOCUMENTS

(73) Assignee: **Cree, Inc.**, Durham, NC (US)

JP H08162677 A 6/1996
WO 2010099755 A1 9/2010

(**) Term: **14 Years**

OTHER PUBLICATIONS

(21) Appl. No.: **29/467,949**

U.S. Appl. No. 13/772,436, filed Feb. 21, 2013.

(Continued)

(22) Filed: **Sep. 25, 2013**

Primary Examiner — Marcus Jackson

(51) **LOC (10) Cl.** **26-04**

(74) *Attorney, Agent, or Firm* — Dennis J. Williamson;
Moore & Van Allen PLLC

(52) **U.S. Cl.**

USPC **D26/3**

(58) **Field of Classification Search**

USPC D26/1-4; 313/313, 315, 316, 317, 318,
313/493; 315/52, 53, 56, 57, 58

(57) **CLAIM**

We claim the ornamental design for a lamp, as shown and described.

See application file for complete search history.

DESCRIPTION

(56) **References Cited**

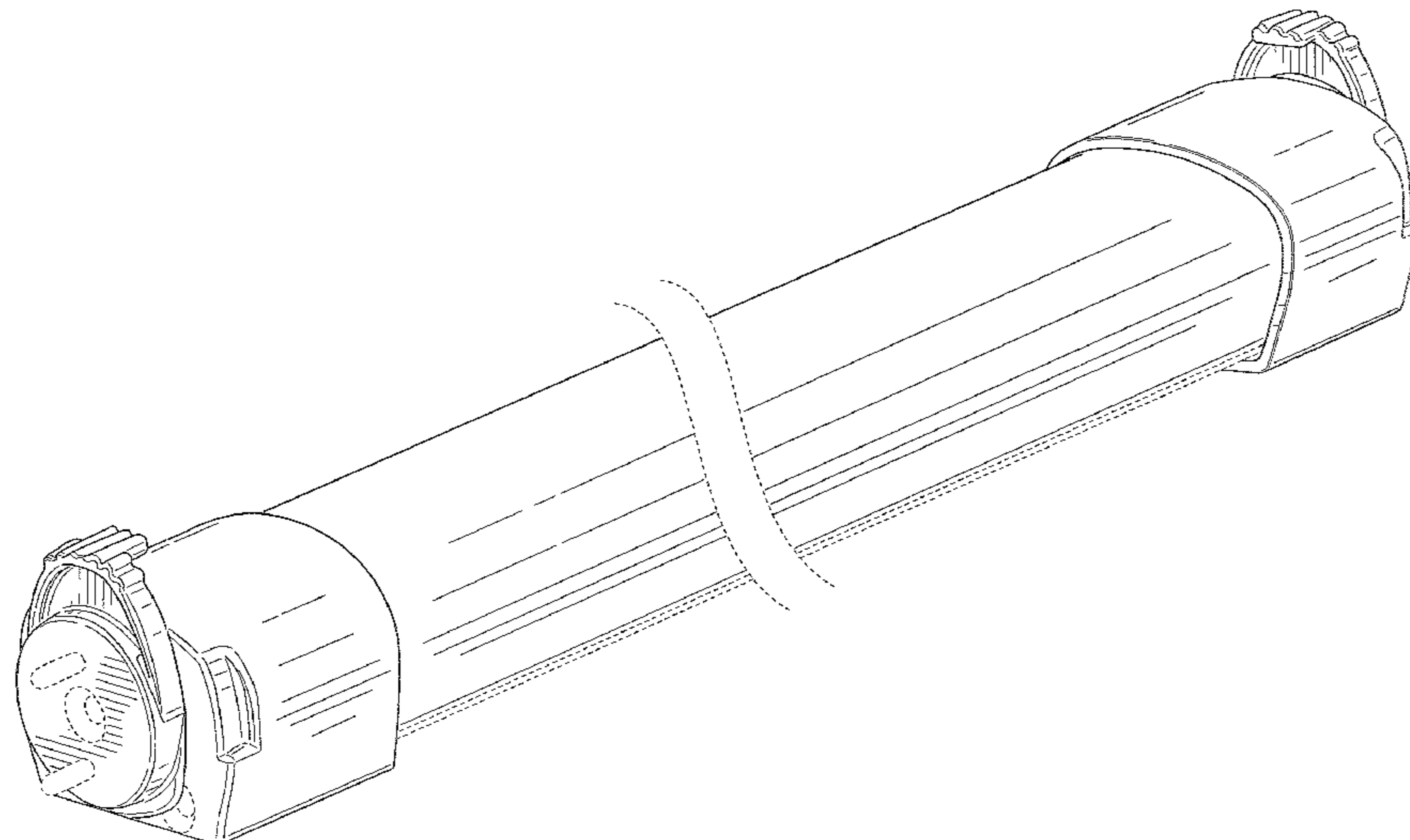
U.S. PATENT DOCUMENTS

5,688,042 A	11/1997	Madadi et al.	
6,853,151 B2	2/2005	Leong et al.	
6,860,628 B2	3/2005	Robertson et al.	
D506,274 S *	6/2005	Moriyama et al.	D26/3
6,936,968 B2	8/2005	Cross et al.	
7,048,410 B2	5/2006	Kutler	
7,049,761 B2	5/2006	Timmermans et al.	
7,114,830 B2	10/2006	Robertson et al.	
7,307,391 B2	12/2007	Shan	
7,510,299 B2	3/2009	Timmermans et al.	
D606,673 S *	12/2009	Kao	D26/3
D610,274 S *	2/2010	Cho	D26/2
D611,172 S *	3/2010	Lin et al.	D26/3
7,815,338 B2	10/2010	Siemiet et al.	
D636,504 S *	4/2011	Duster	D26/3
7,926,975 B2	4/2011	Siemiet et al.	

FIG. 1 is a front view showing our new design for a lamp;
FIG. 2 is a right side view showing our new design shown in FIG. 1;
FIG. 3 is a left side view showing our new design shown in FIG. 1;
FIG. 4 is a back view showing our new design shown in FIG. 1;
FIG. 5 is a top view showing our new design shown in FIG. 1;
FIG. 6 is a bottom view showing our new design shown in FIG. 1;
FIG. 7 is a top perspective view showing our new design shown in FIG. 1; and,
FIG. 8 is a bottom perspective view showing our new design shown in FIG. 1.

The portions shown in broken lines are not part of the claimed design but show the environment in which the design is associated.

1 Claim, 6 Drawing Sheets



(56)

References Cited

U.S. PATENT DOCUMENTS

8,115,411 B2 2/2012 Shan
8,118,447 B2 2/2012 Simon et al.
8,214,084 B2 7/2012 Ivey et al.
8,247,985 B2 8/2012 Timmermans et al.
8,282,247 B2 10/2012 Ivey et al.
8,324,817 B2 12/2012 Ivey et al.
D674,930 S * 1/2013 Zhang D26/3
8,360,599 B2 1/2013 Ivey et al.
8,362,710 B2 1/2013 Langovsky
8,382,327 B2 2/2013 Timmermans et al.
8,419,223 B2 4/2013 Withers
8,421,366 B2 4/2013 Palazzolo et al.

8,449,137 B2 5/2013 Dassanayake et al.
8,482,212 B1 7/2013 Ivey et al.
8,573,813 B2 11/2013 Ivey et al.
8,596,813 B2 12/2013 Ivey
2002/0060526 A1 5/2002 Timmermans et al.

OTHER PUBLICATIONS

U.S. Appl. No. 13/943,043, filed Jul. 16, 2013.
U.S. Appl. No. 13/943,376, filed Jul. 16, 2013.
U.S. Appl. No. 13/943,455, filed Jul. 16, 2013.
U.S. Appl. No. 29/467,949, filed Sep. 25, 2013.
U.S. Appl. No. 13/943,152, filed Jul. 16, 2013.

* cited by examiner

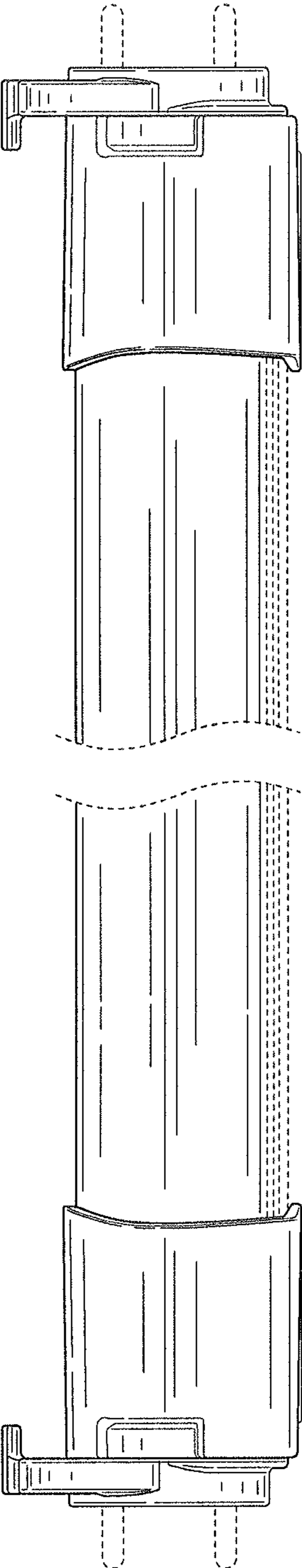


FIG. 1

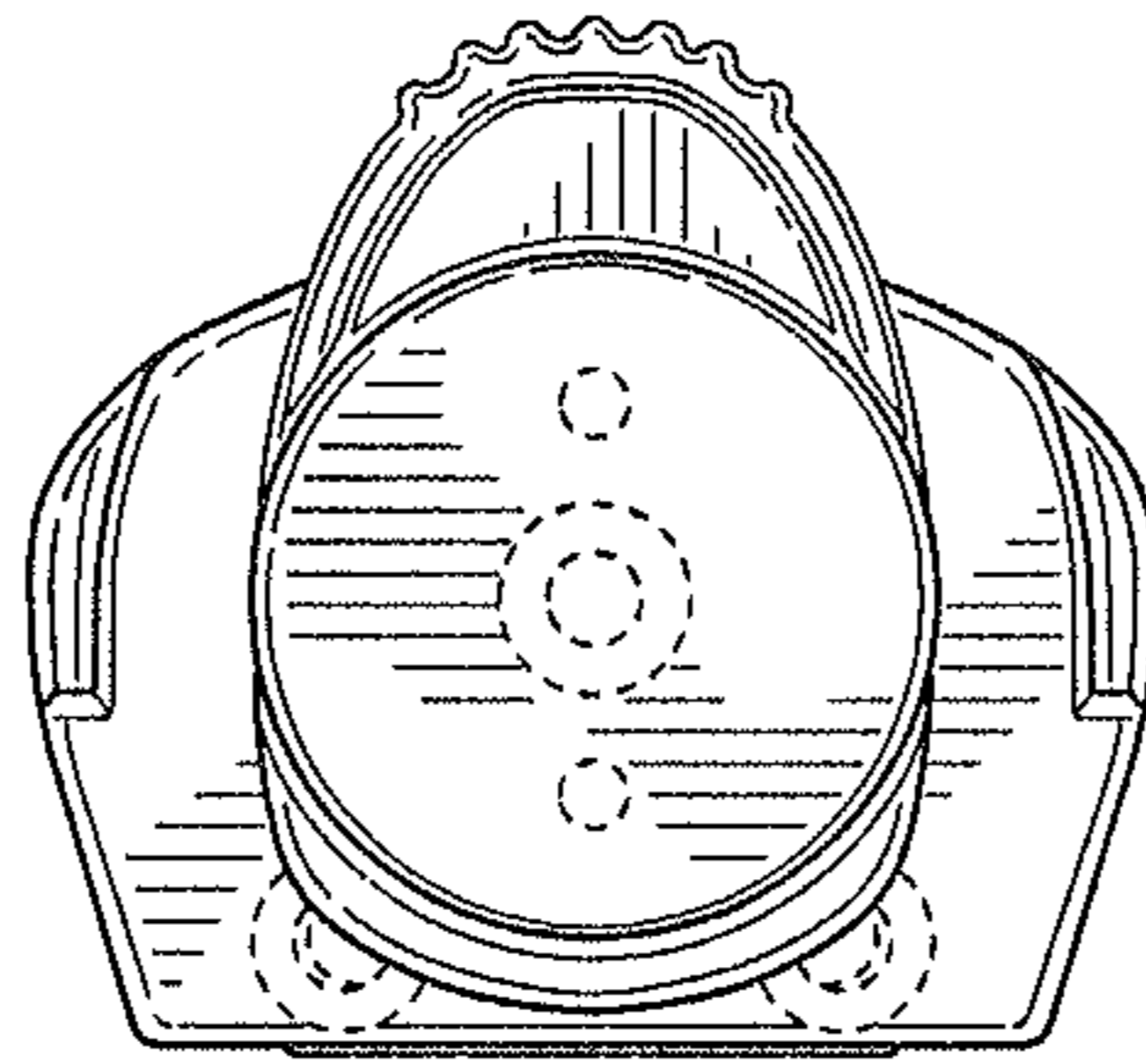


FIG. 2

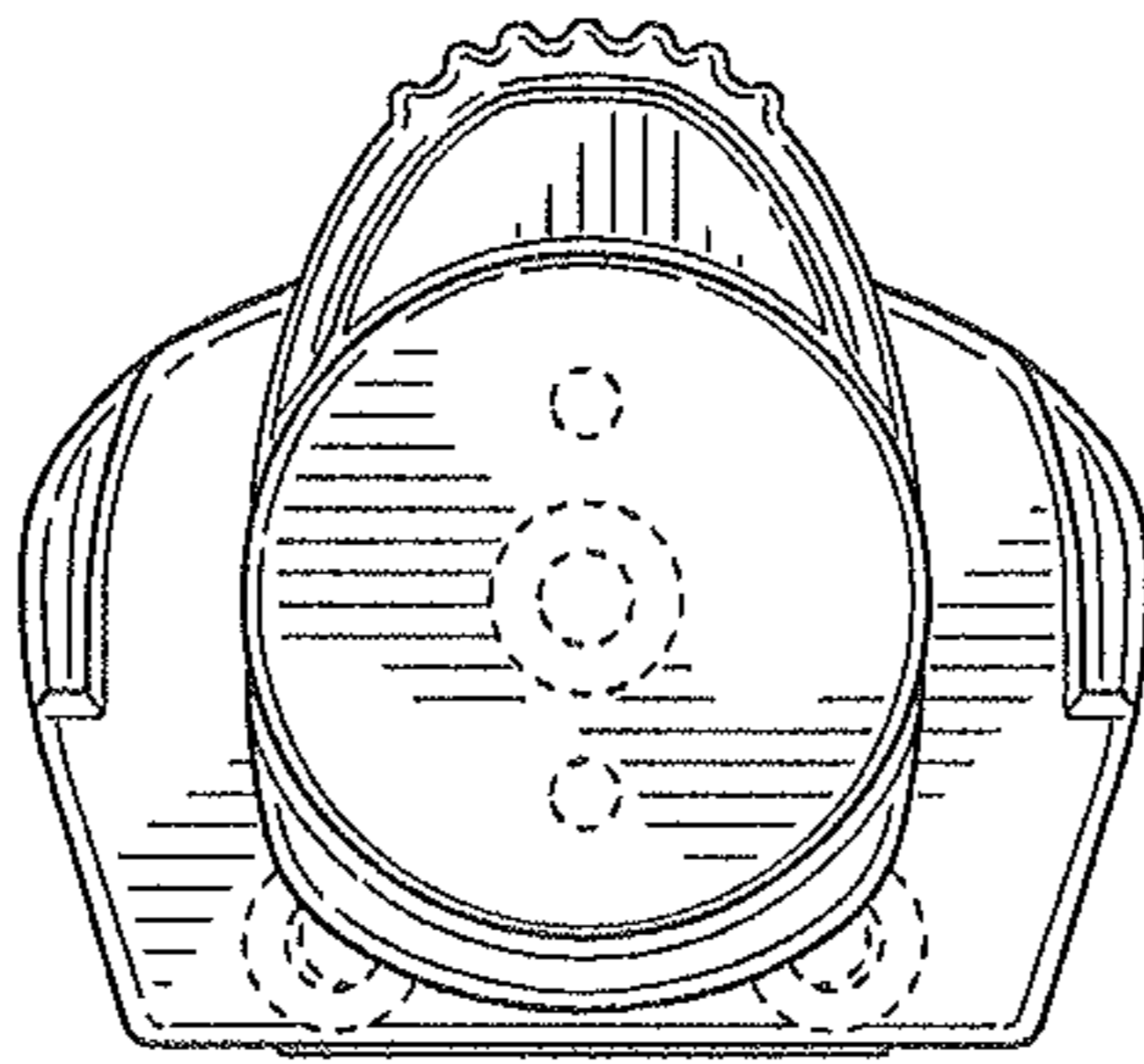


FIG. 3

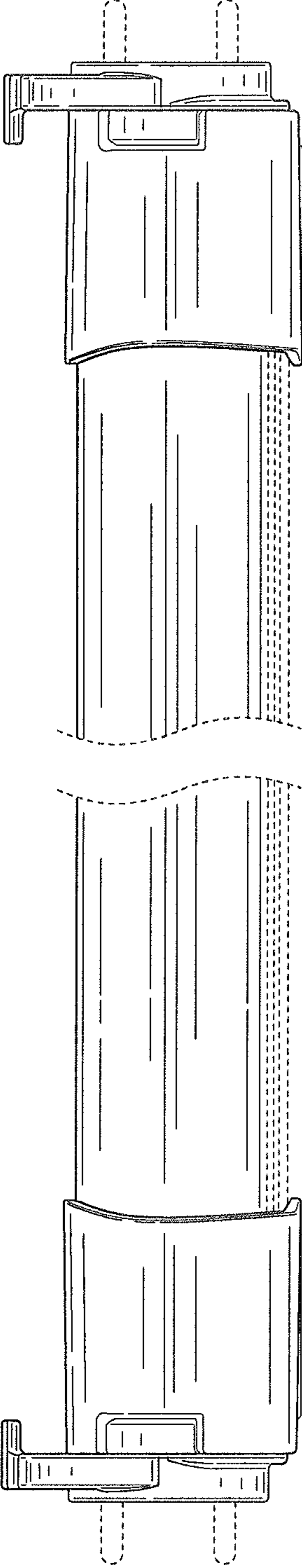


FIG. 4

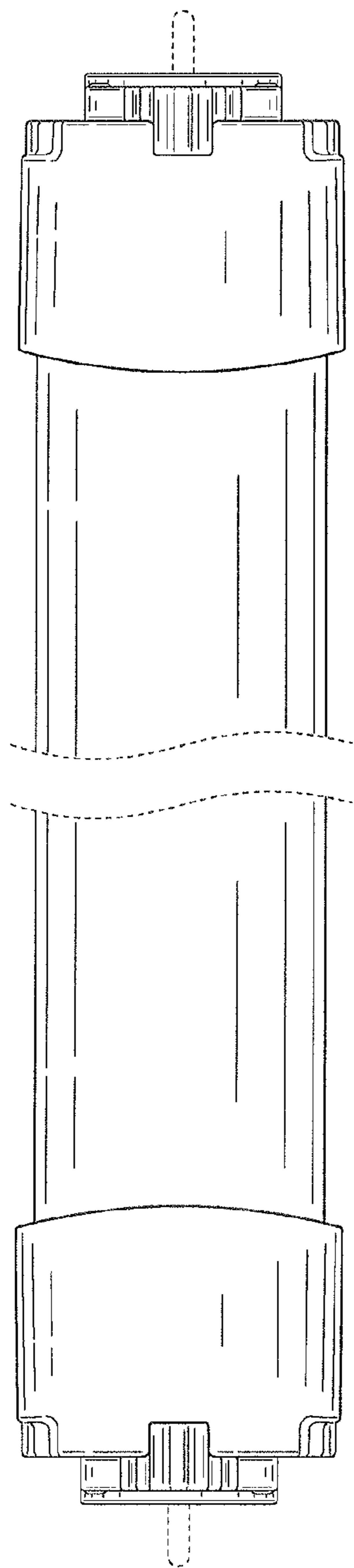


FIG. 5

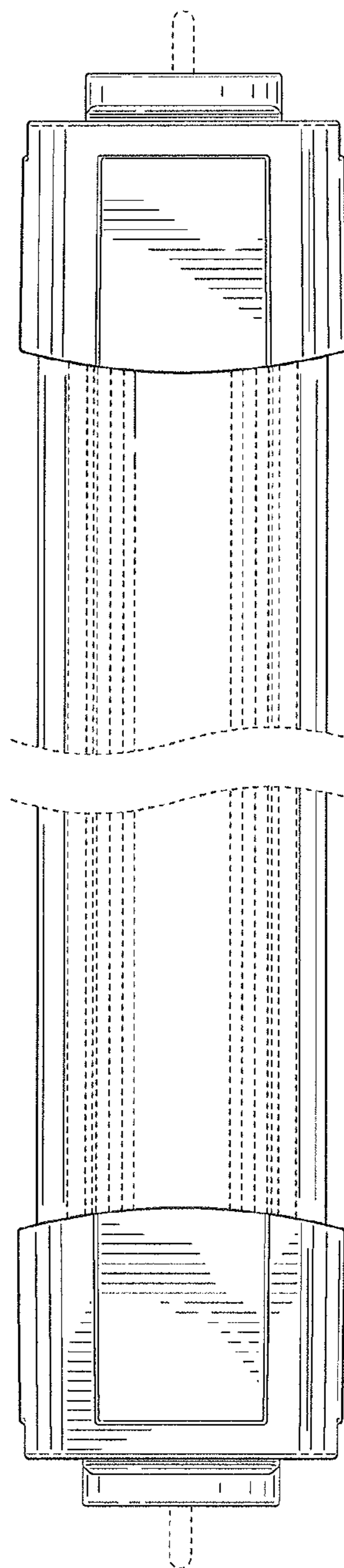


FIG. 6

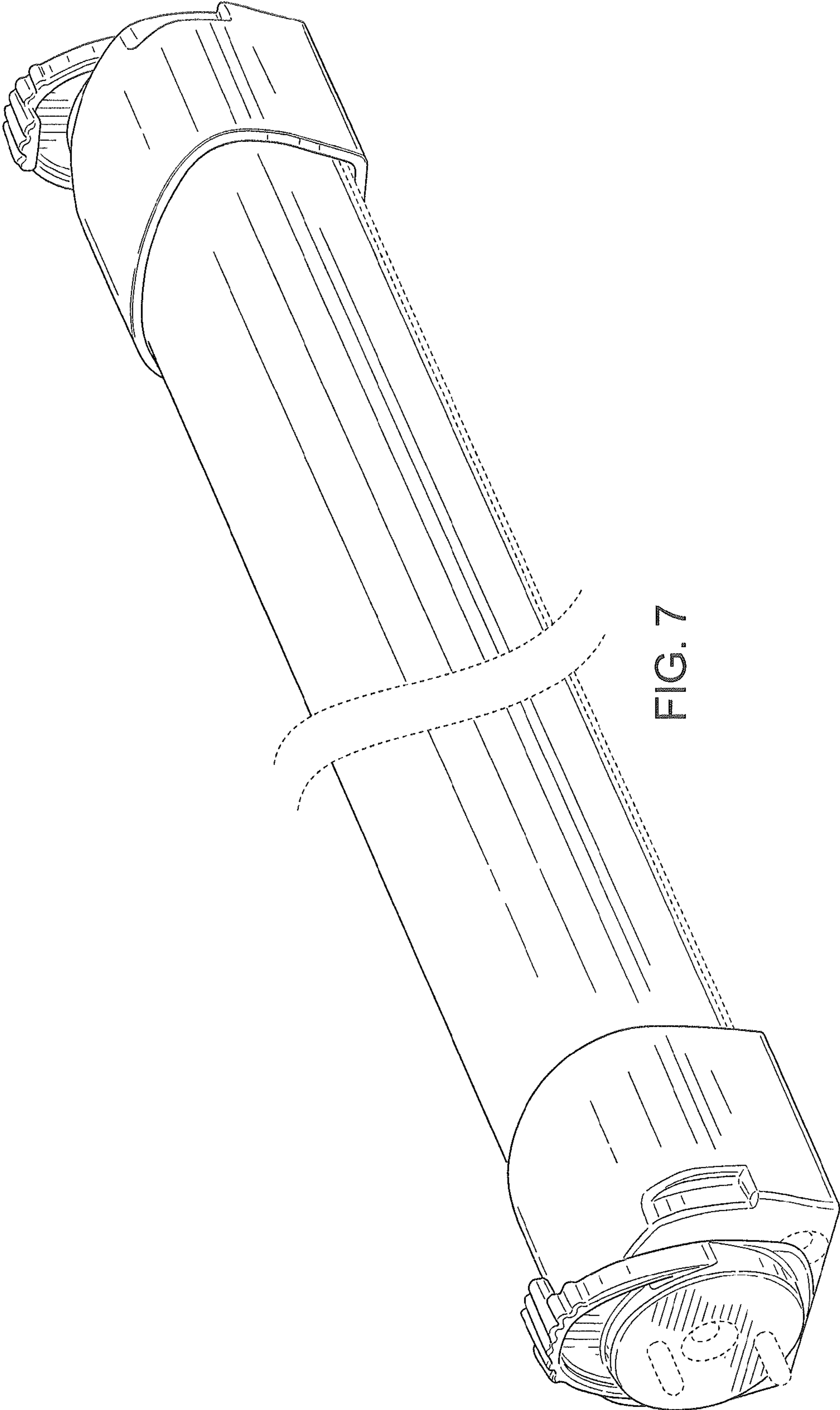


FIG. 7

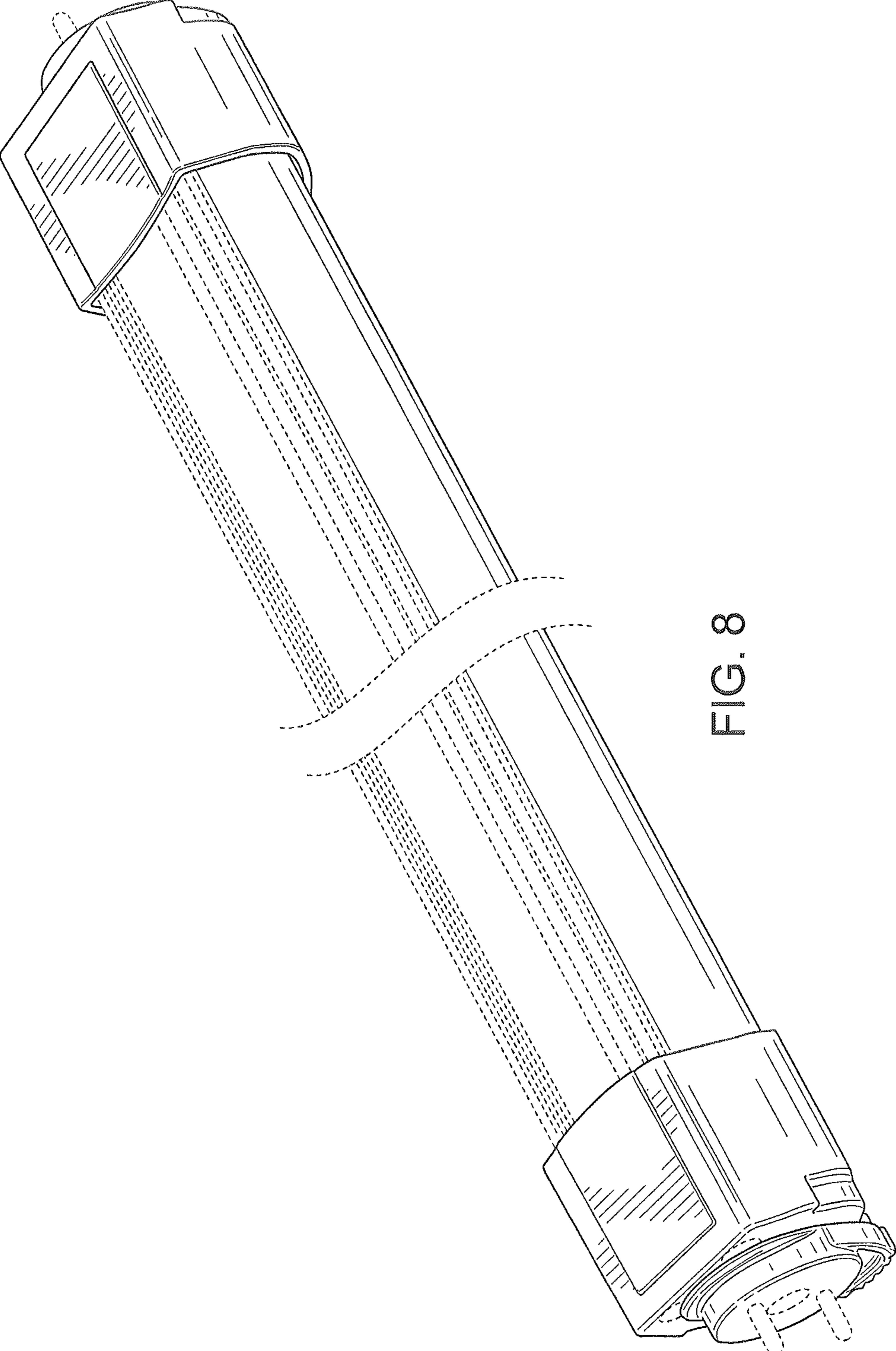


FIG. 8