



US00D740971S

(12) **United States Design Patent**
Howard et al.

(10) **Patent No.:** **US D740,971 S**
(45) **Date of Patent:** **** Oct. 13, 2015**

(54) **LED LIGHT BULB**

(56) **References Cited**

- (71) Applicant: **Mary Elle Fashions, Inc.**, St. Louis, MO (US)
- (72) Inventors: **Kenneth A. Howard**, Creve Coeur, MO (US); **James J. Riley**, St. Louis, MO (US); **Matthew S. Smith**, St. Charles, MO (US); **Gavin Perry**, St. Louis, MO (US)
- (73) Assignee: **Mary Elle Fashions, Inc.**, St. Louis, MO (US)
- (**) Term: **14 Years**
- (21) Appl. No.: **29/526,622**
- (22) Filed: **May 12, 2015**

U.S. PATENT DOCUMENTS

D543,288 S *	5/2007	Bembridge	D26/2
D544,109 S *	6/2007	Tsuruha et al.	D26/2
D558,904 S *	1/2008	Tsuruha et al.	D26/2
D579,130 S *	10/2008	Hernandez et al.	D26/2
D600,368 S *	9/2009	Bertram et al.	D26/2
D610,272 S *	2/2010	Guo et al.	D26/2

* cited by examiner

Primary Examiner — Marcus Jackson

(74) *Attorney, Agent, or Firm* — Senniger Powers LLP

(57) **CLAIM**

The ornamental design for an LED light bulb, as shown and described.

DESCRIPTION

FIG. 1 is a perspective of an embodiment of the LED light bulb according to the invention;
 FIG. 2 is a rear elevation of the embodiment of FIG. 1;
 FIG. 3 is an elevation showing the left side of the embodiment of FIG. 1;
 FIG. 4 is an elevation showing the right side of the embodiment of FIG. 1;
 FIG. 5 is a front elevation of the embodiment of FIG. 1;
 FIG. 6 is a top plan of the embodiment of FIG. 1; and,
 FIG. 7 is a bottom plan of the embodiment of FIG. 1.
 The broken lines shown in the drawings indicate structure and features which form no part of the claimed design.

Related U.S. Application Data

- (62) Division of application No. 29/449,473, filed on Mar. 15, 2013, now Pat. No. Des. 732,209.
- (51) **LOC (10) Cl.** **26-04**
- (52) **U.S. Cl.**
USPC **D26/2**
- (58) **Field of Classification Search**
USPC D26/1-4; 313/313, 315, 316, 317, 318, 313/493; 315/52, 53, 56, 57, 58
See application file for complete search history.

1 Claim, 7 Drawing Sheets

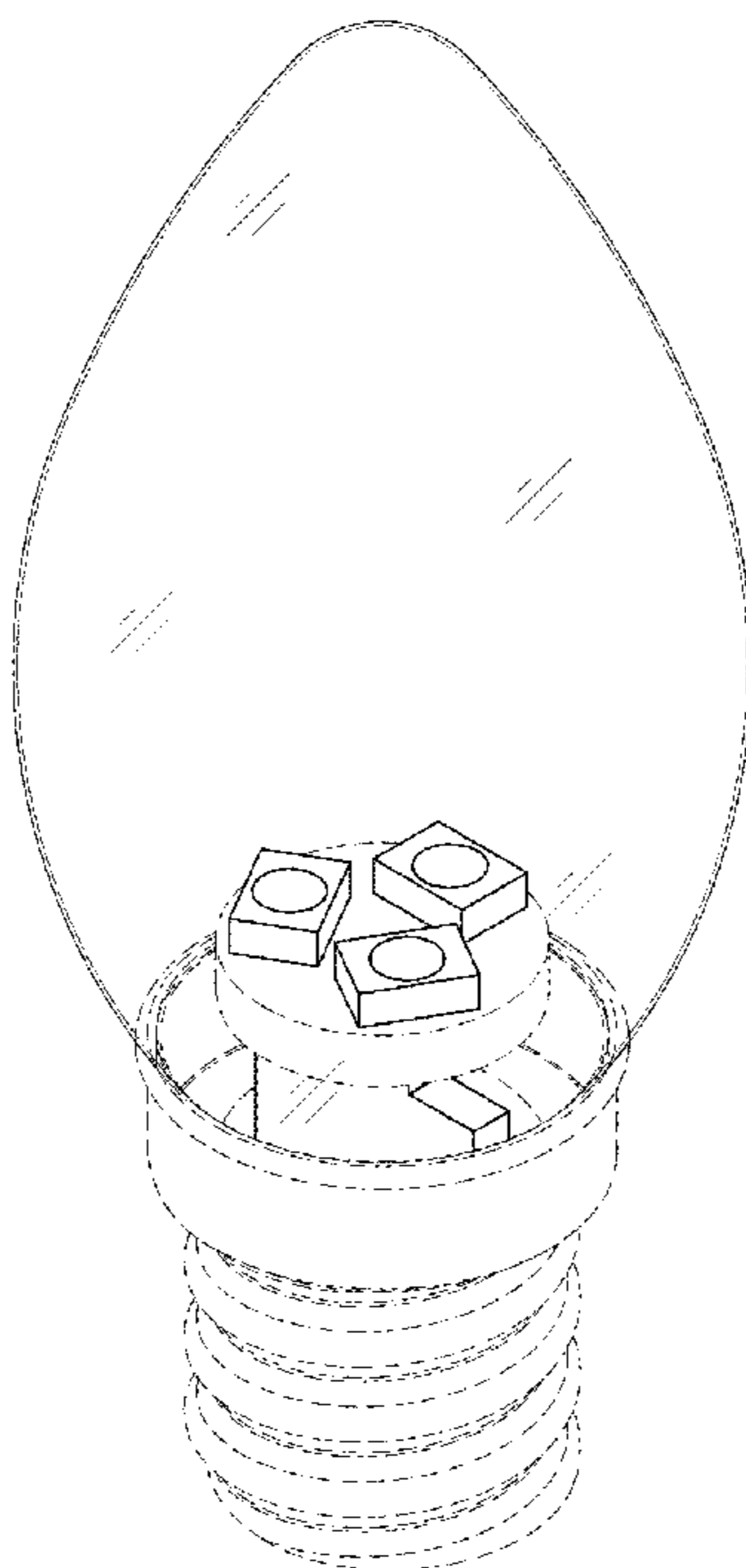


FIG. 1

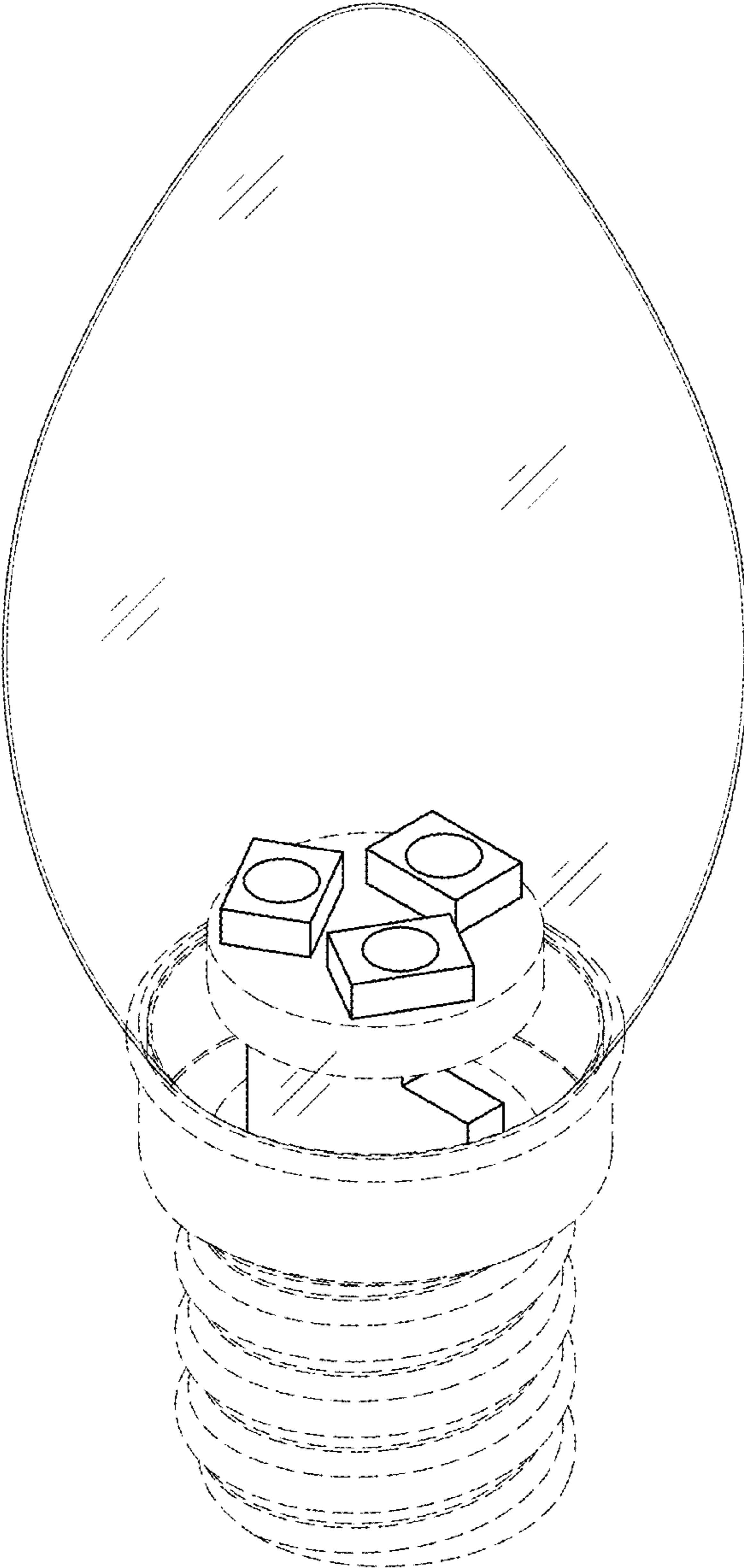


FIG. 2

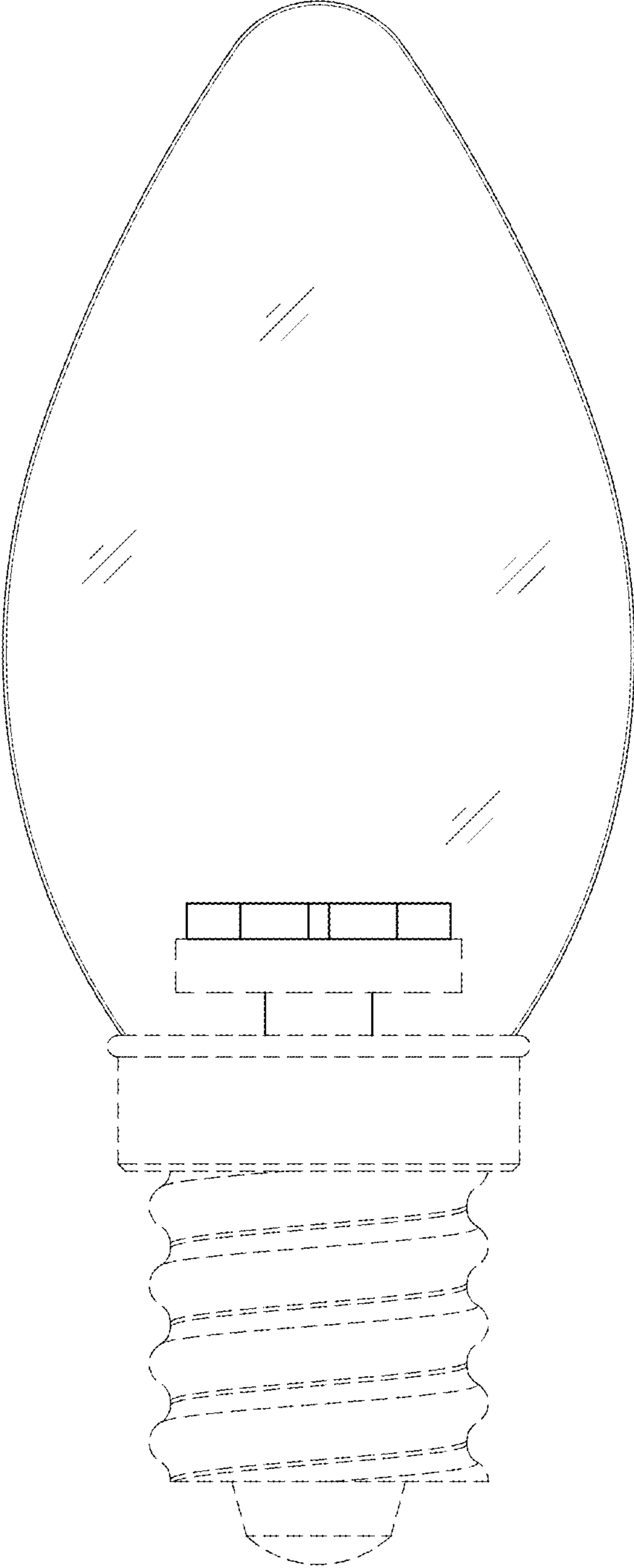


FIG. 3

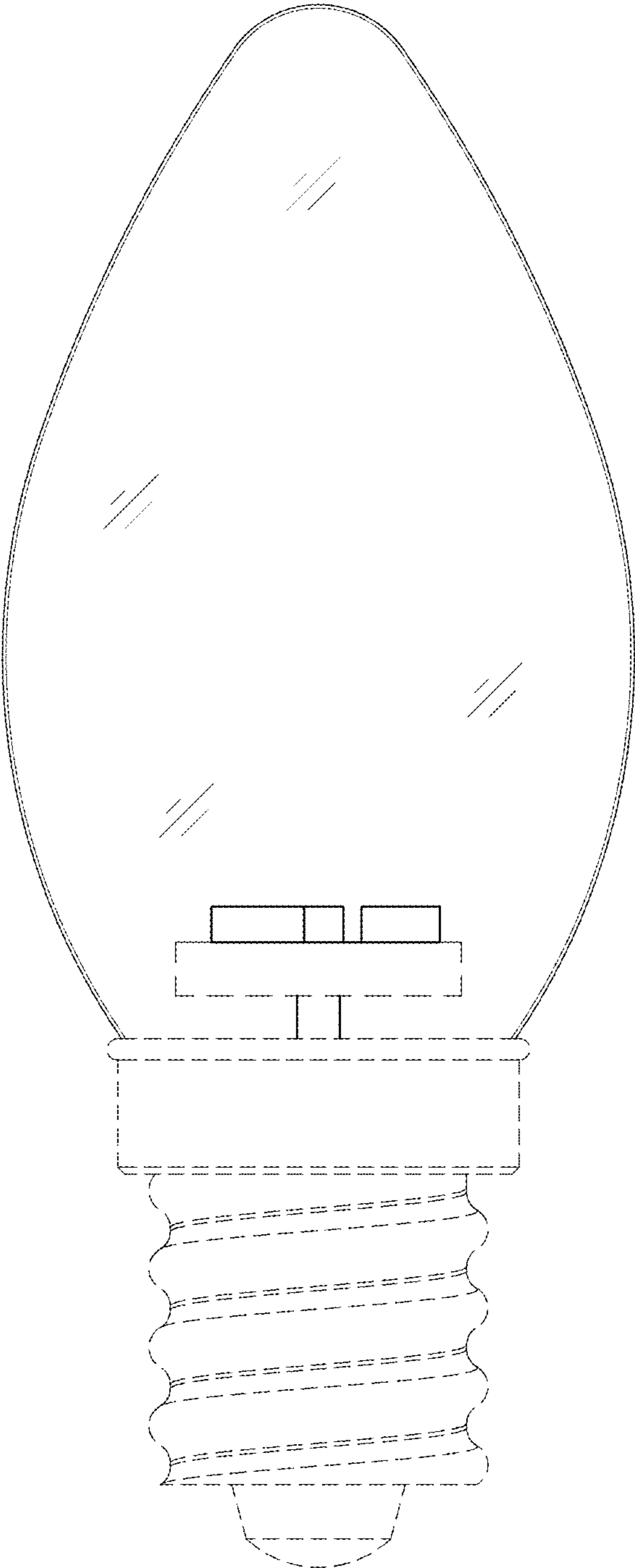


FIG. 4

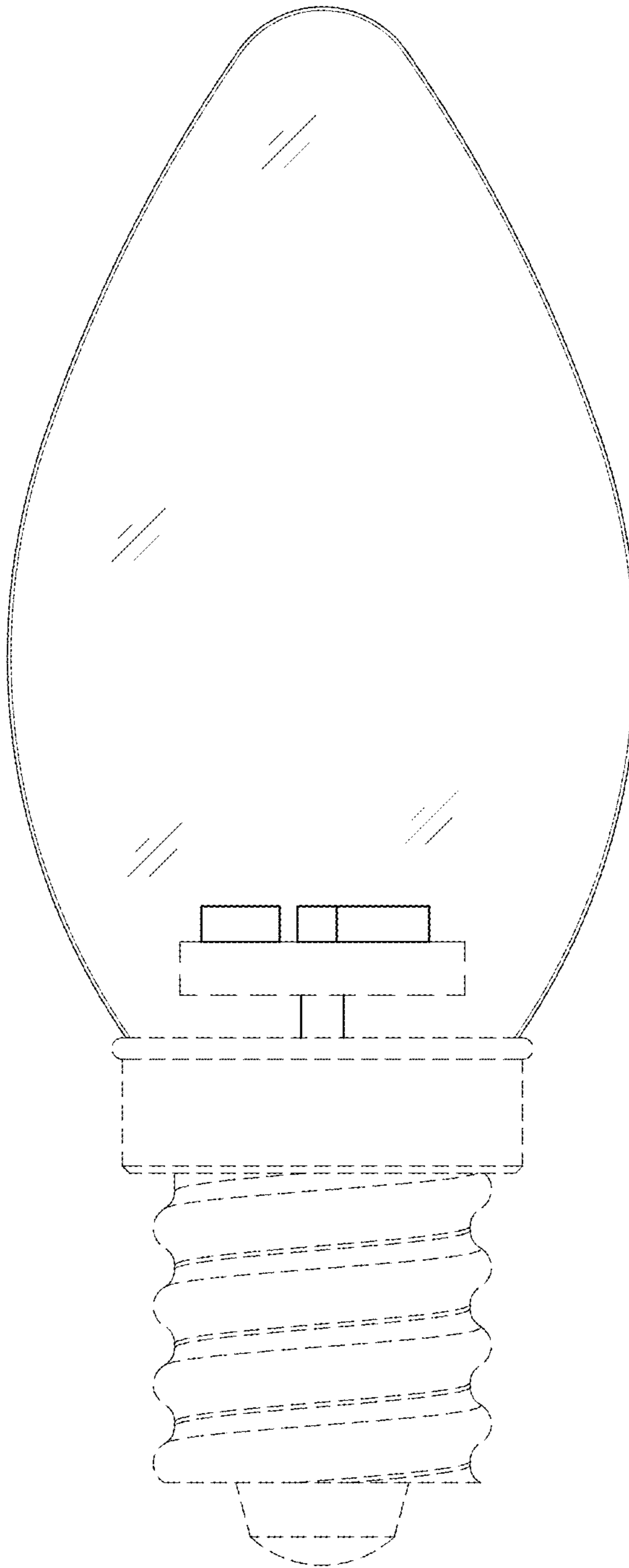


FIG. 5

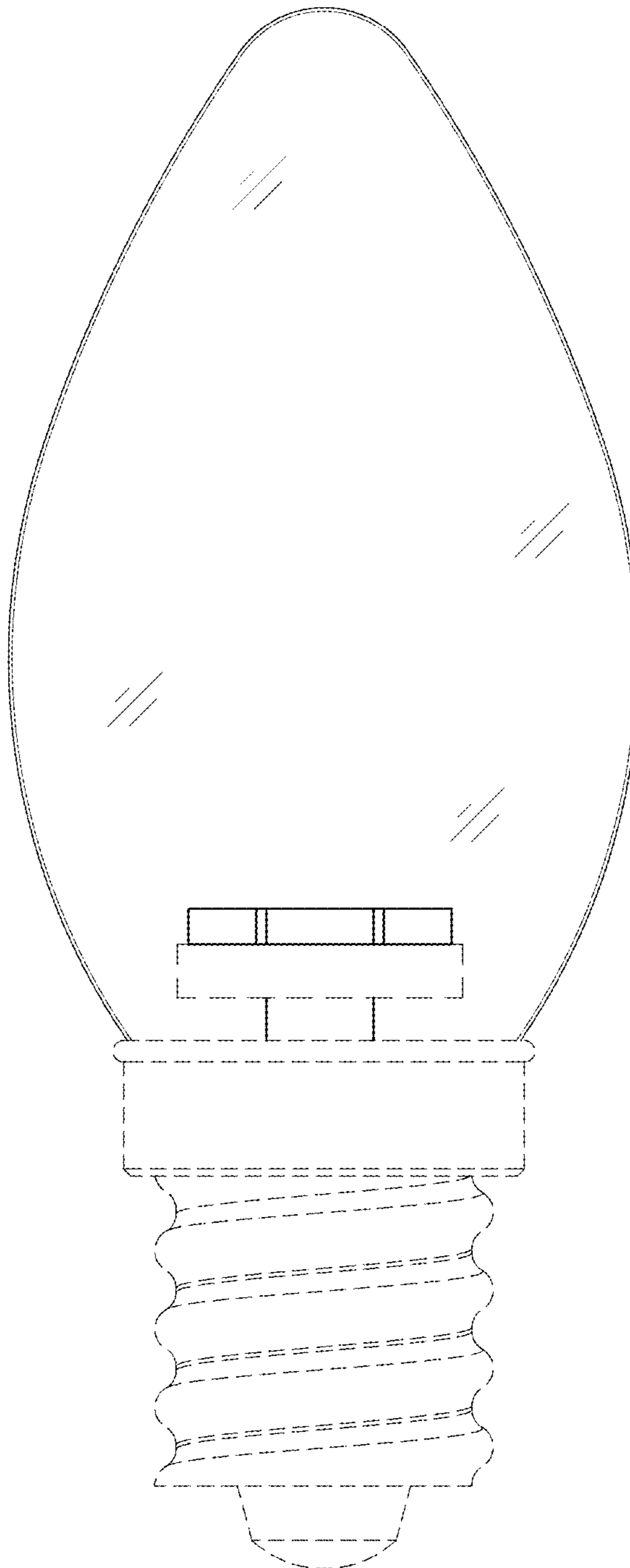


FIG. 6

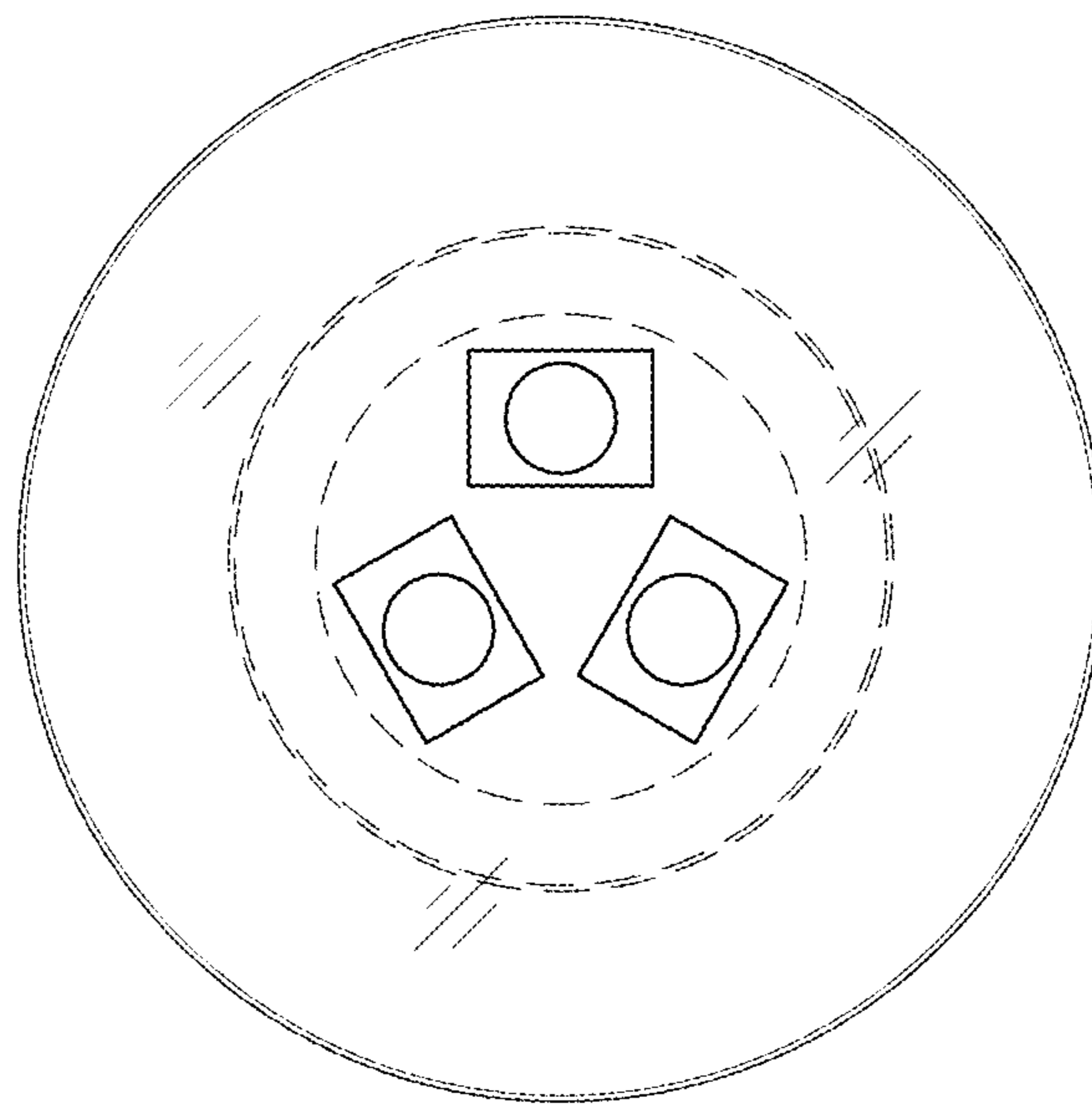


FIG. 7

