



US00D740970S

(12) **United States Design Patent**
Liu et al.

(10) **Patent No.:** **US D740,970 S**
(45) **Date of Patent:** **** Oct. 13, 2015**

(54) **LED BULB**

(71) Applicant: **MLS Co., Ltd.**, Zhongshan, Guangdong Province (CN)

(72) Inventors: **Tianming Liu**, Zhongshan (CN); **Hu Xiao**, Zhongshan (CN); **Bingbing Zhou**, Zhongshan (CN)

(73) Assignee: **MLS CO., LTD.**, Zhongshan, Guangdong Province (CN)

(**) Term: **14 Years**

(21) Appl. No.: **29/503,310**

(22) Filed: **Sep. 25, 2014**

(30) **Foreign Application Priority Data**

Mar. 25, 2014 (CN) 2014 3 0063172

(51) **LOC (10) Cl.** **26-04**

(52) **U.S. Cl.**
USPC **D26/2**

(58) **Field of Classification Search**
USPC D26/1-4; 313/313, 315, 316, 317, 318, 313/493; 315/52, 53, 56, 57, 58
See application file for complete search history.

(56) **References Cited**

U.S. PATENT DOCUMENTS

D627,085 S *	11/2010	Duan et al.	D26/2
D629,929 S *	12/2010	Chen et al.	D26/2
D633,226 S *	2/2011	Katsaros	D26/2
D634,451 S *	3/2011	de Visser	D26/2
D642,704 S *	8/2011	Hagens et al.	D26/2
D692,596 S *	10/2013	Webb et al.	D26/2

* cited by examiner

Primary Examiner — Marcus Jackson

(74) *Attorney, Agent, or Firm* — Jackson IPG PLLC; Demian K. Jackson

(57) **CLAIM**

The ornamental design for a LED bulb, as shown and described.

DESCRIPTION

FIG. 1 is a front side perspective view of a LED bulb showing my new design;

FIG. 2 is a front elevational view thereof;

FIG. 3 is a rear elevational view thereof;

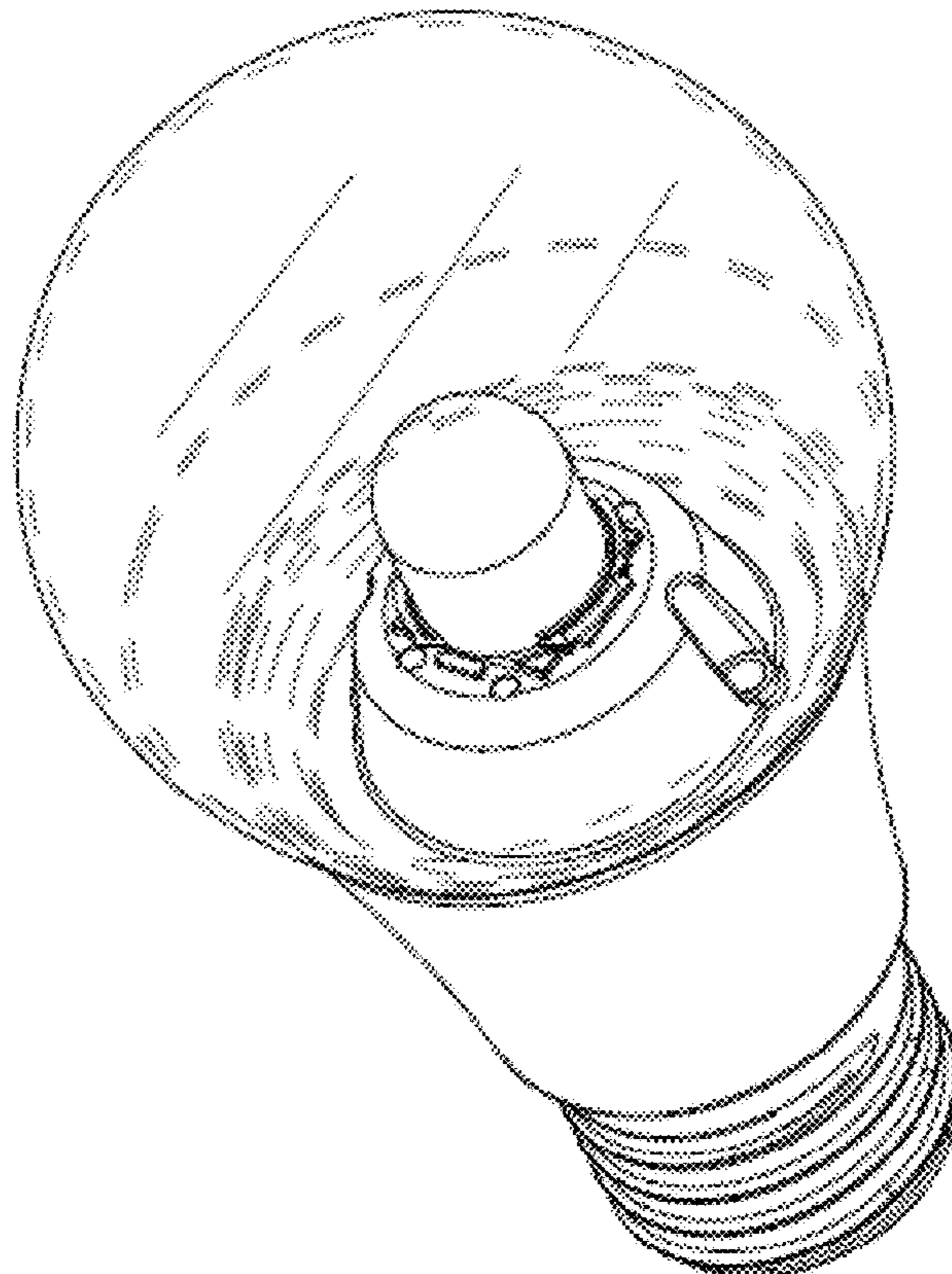
FIG. 4 is a left side elevational view thereof;

FIG. 5 is a right side elevational view thereof;

FIG. 6 is a top plan view thereof; and,

FIG. 7 is a bottom plan view thereof.

1 Claim, 7 Drawing Sheets



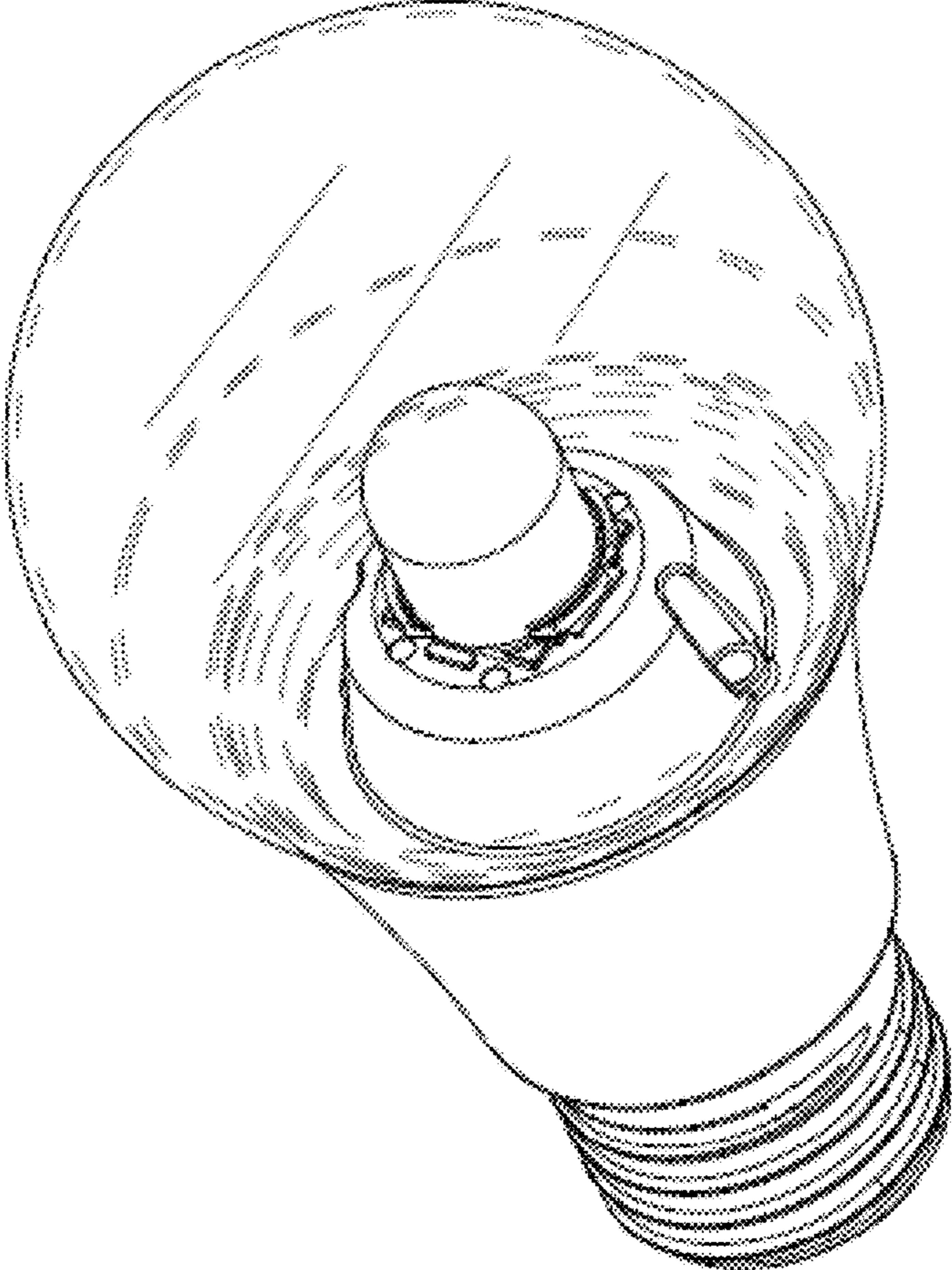


Fig. 1

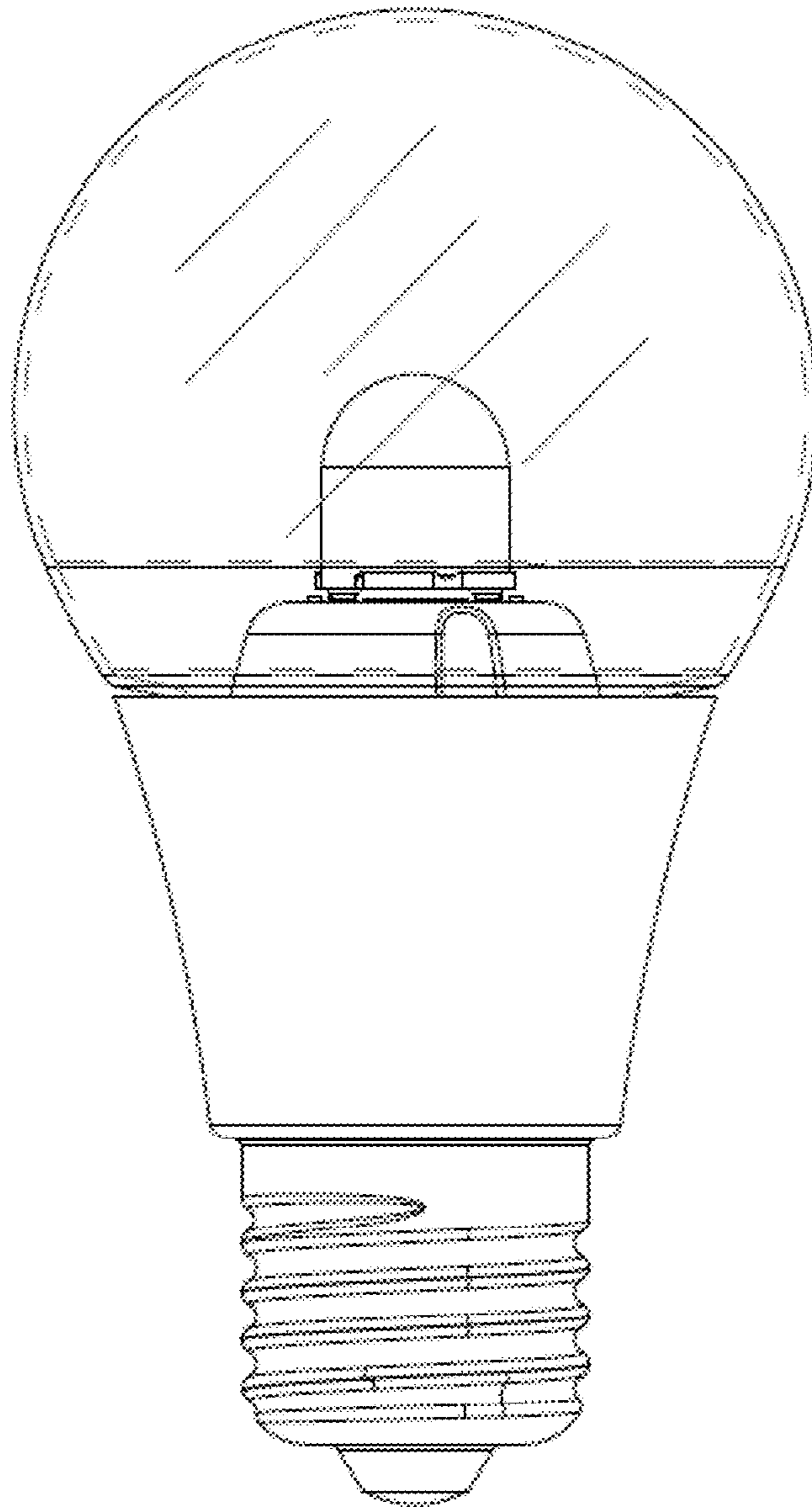


Fig. 2

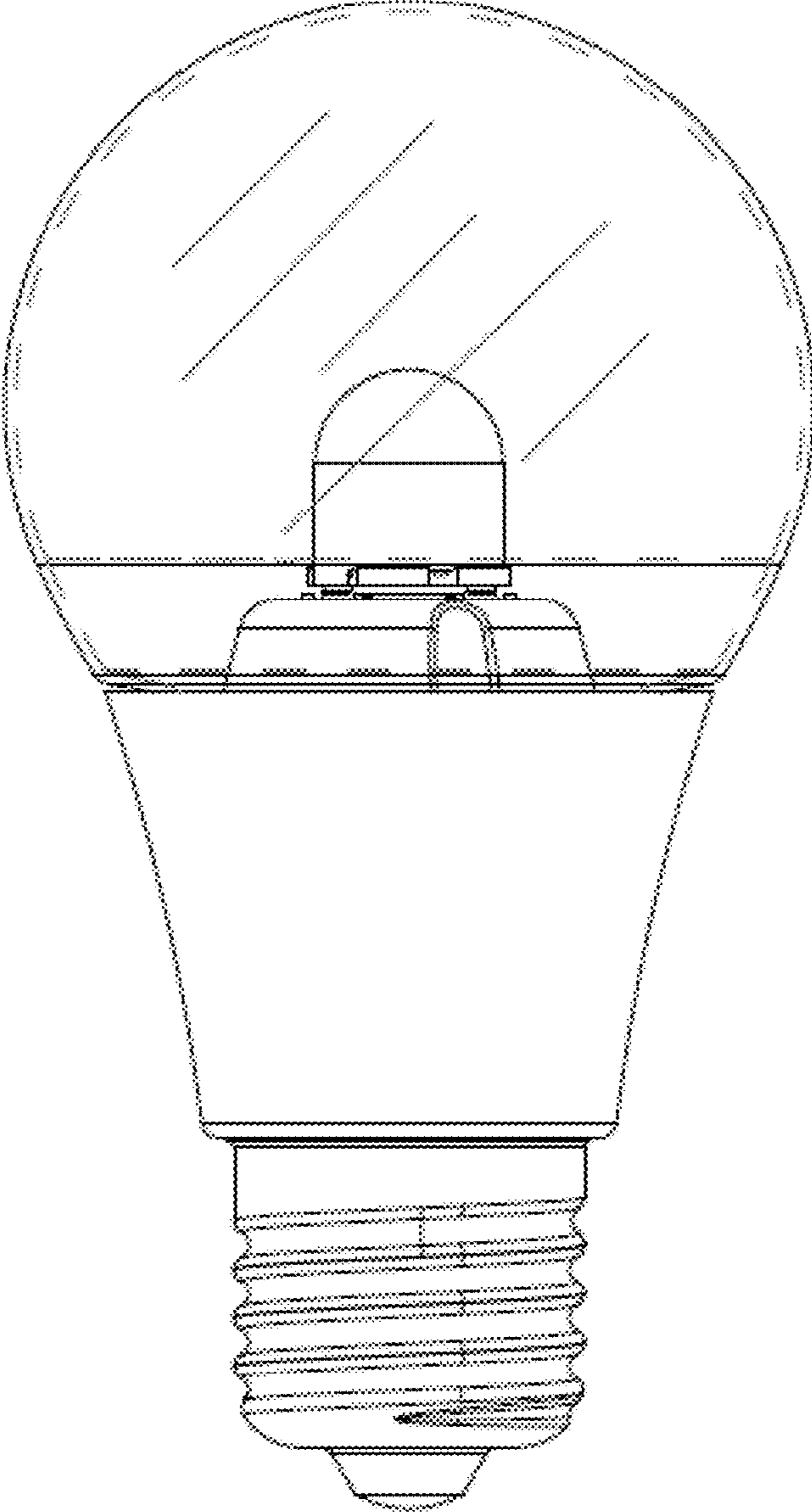


Fig. 3

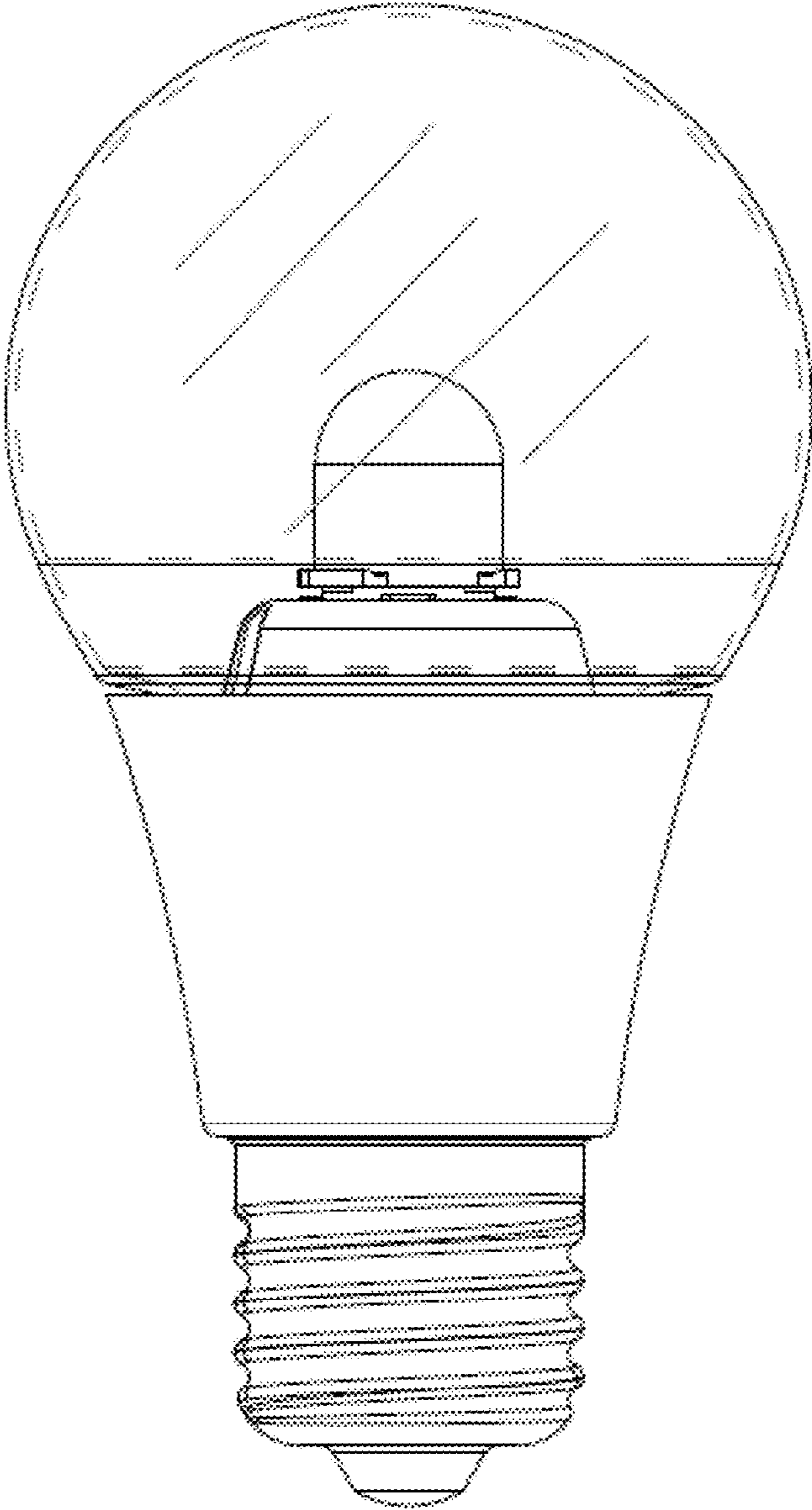


Fig. 4

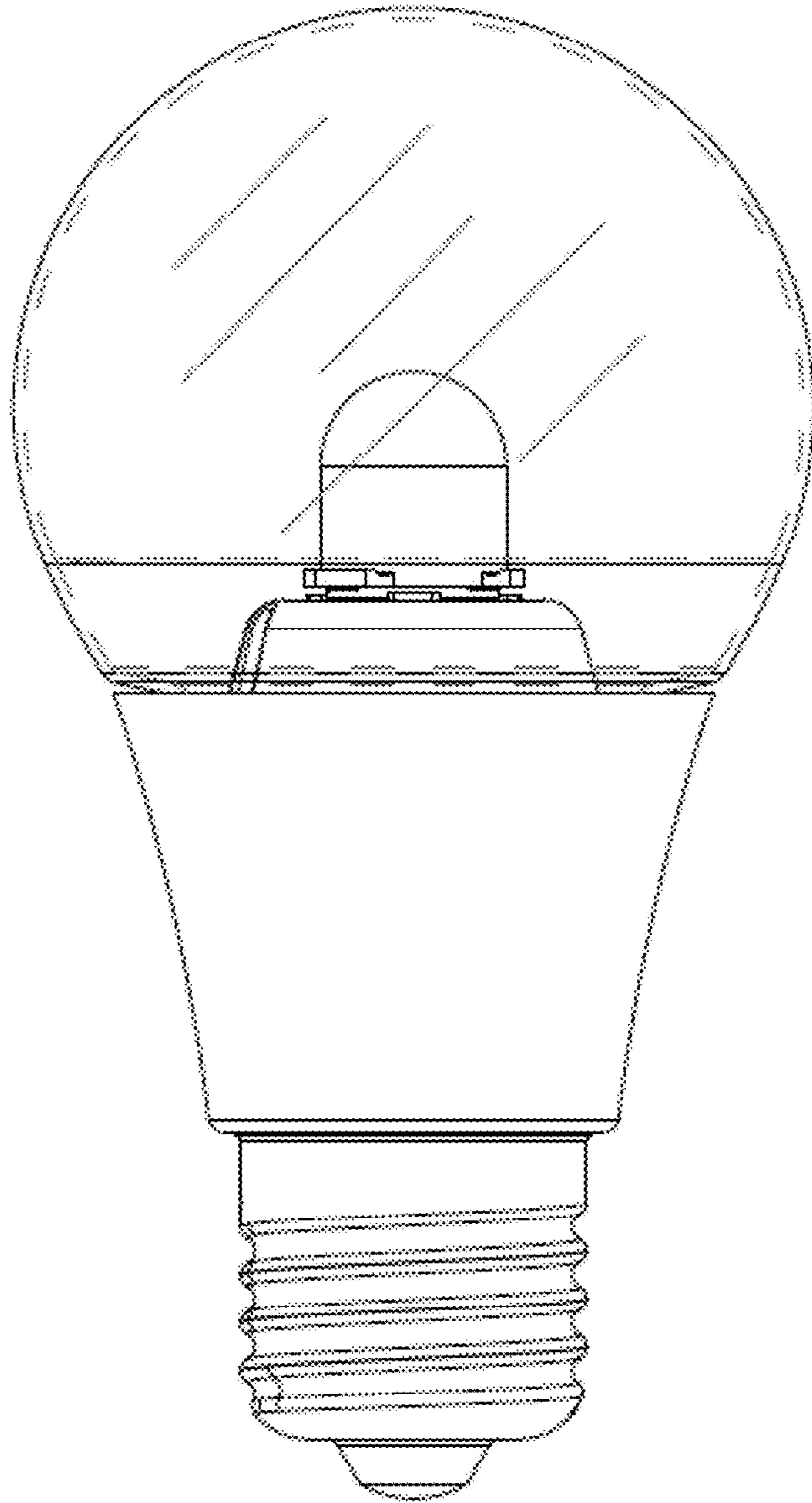


Fig. 5

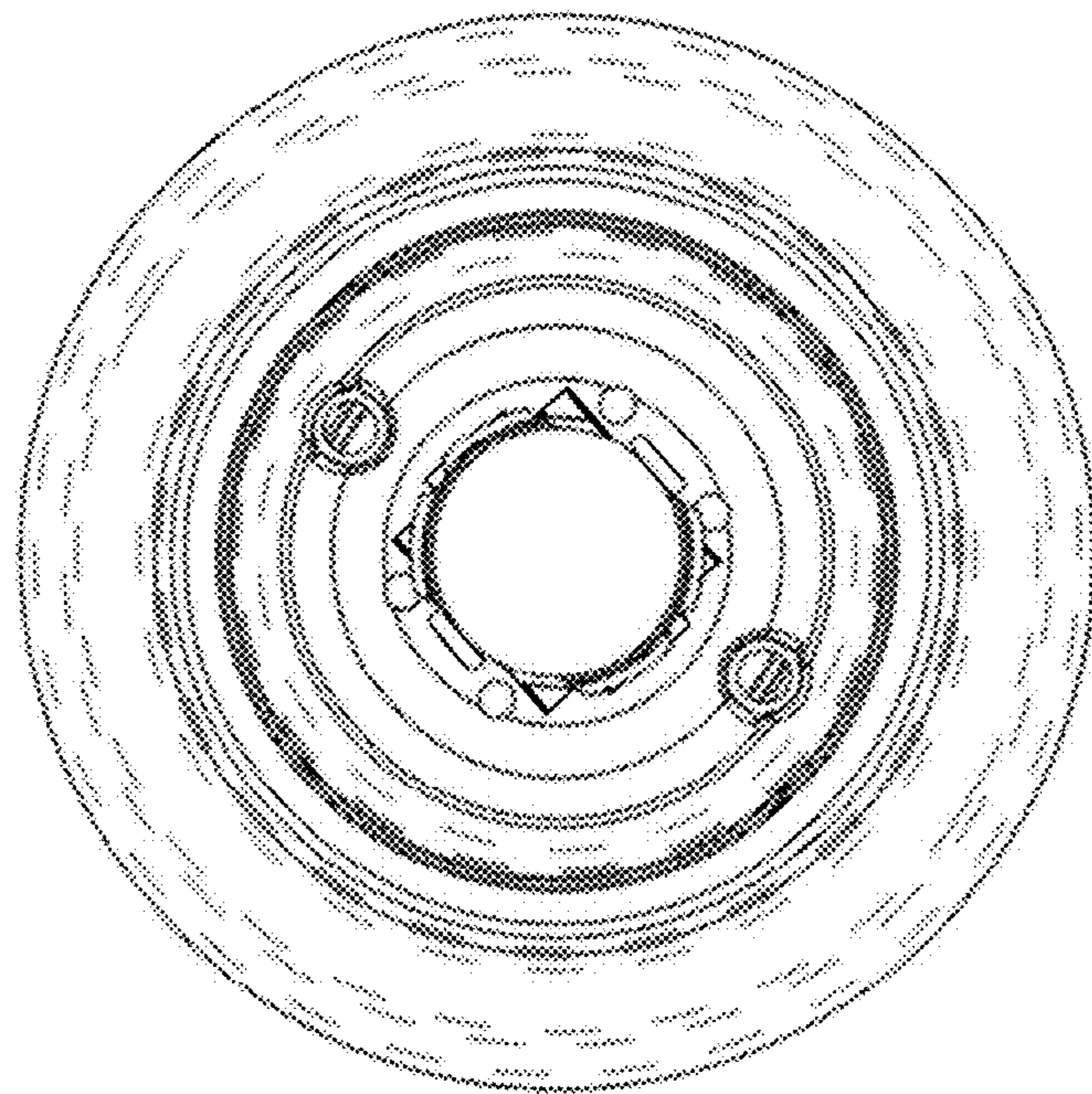


Fig. 6

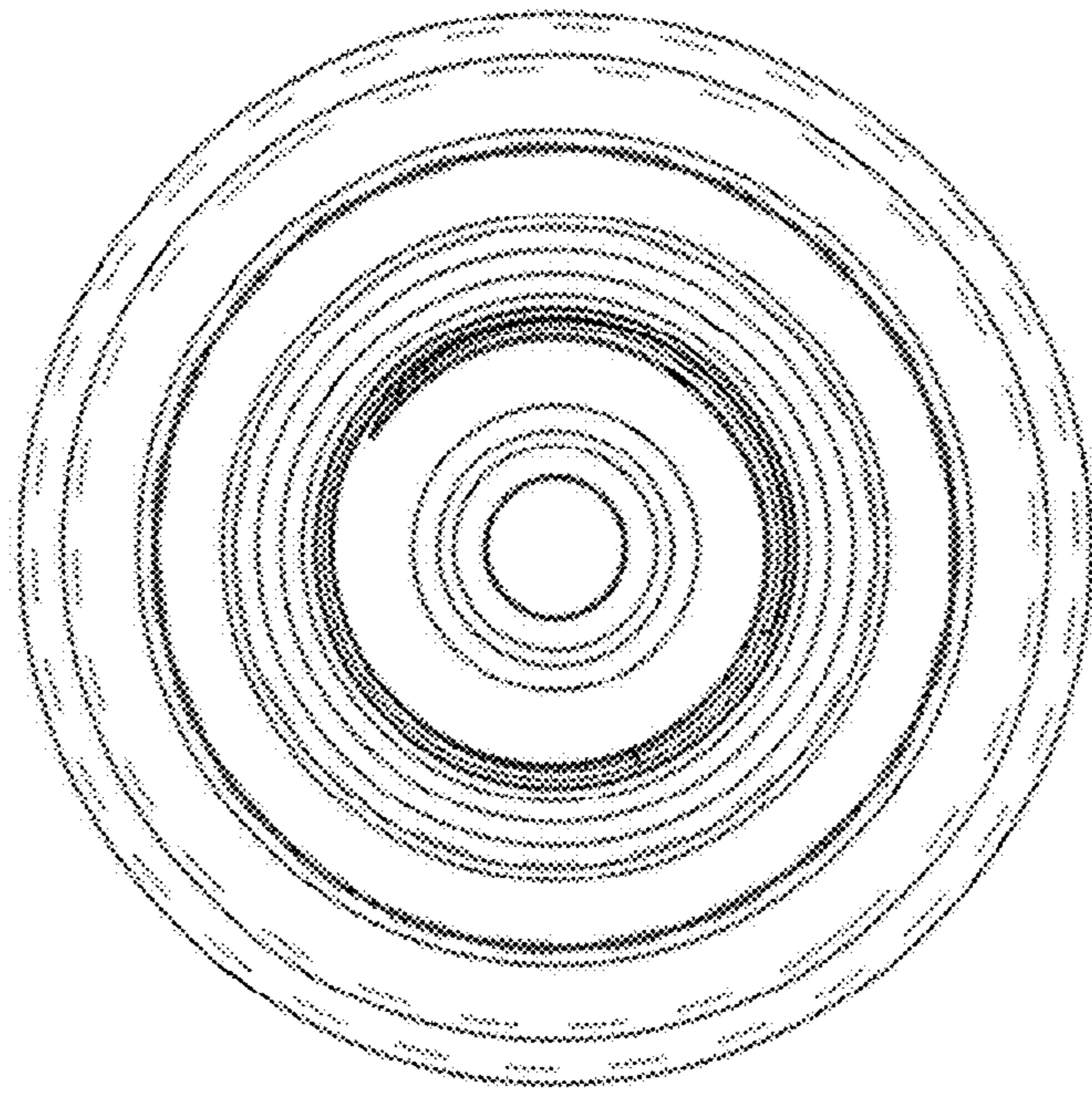


Fig. 7