



US00D740968S

(12) **United States Design Patent**  
**Stanfill**

(10) **Patent No.:** **US D740,968 S**  
(45) **Date of Patent:** **\*\* Oct. 13, 2015**

- (54) **SIDING TRIM PIECE**
- (71) Applicant: **Rustique Enterprises, Inc.**, O'Fallon, MO (US)
- (72) Inventor: **Heath Stanfill**, Foristell, MO (US)
- (73) Assignee: **Rustique Enterprises, Inc.**, O'Fallon, MO (US)
- (\*\*) Term: **14 Years**
- (21) Appl. No.: **29/508,312**
- (22) Filed: **Nov. 5, 2014**

5,090,174	A	2/1992	Fragale	
6,505,448	B2	1/2003	Ito	
D649,263	S	11/2011	Brabeck et al.	
8,104,234	B1	1/2012	Sawyer	
D693,483	S *	11/2013	Krieger	D25/119
2002/0029537	A1	3/2002	Manning et al.	
2006/0075712	A1	4/2006	Gilbert et al.	
2006/0272257	A1	12/2006	Hobbie	
2007/0119107	A1	5/2007	Shaw et al.	
2007/0193177	A1	8/2007	Wilson et al.	

\* cited by examiner

*Primary Examiner* — Doris Clark

(74) *Attorney, Agent, or Firm* — Thompson Coburn LLP

(57) **CLAIM**

The ornamental design for a siding trim piece, as shown and described.

**Related U.S. Application Data**

- (62) Division of application No. 29/449,429, filed on Mar. 15, 2013, now Pat. No. Des. 724,239.
- (51) **LOC (10) Cl.** ..... **25-01**
- (52) **U.S. Cl.**  
USPC ..... **D25/119**
- (58) **Field of Classification Search**  
USPC ..... D25/119, 136, 55, 141; 52/62, 169.5, 52/281, 282.1, 287.1, 288.1, 716.2, 716.8, 52/717.01, 371, 254, 255, 459, 461, 465, 52/471, 472, 555, 556, 560, 96  
See application file for complete search history.

**DESCRIPTION**

FIG. 1 is a perspective view of a trim piece showing my new sign;  
 FIG. 2 is a bottom rear perspective view of the trim piece of FIG. 1;  
 FIG. 3 is a bottom front perspective view of the trim piece of FIG. 1;  
 FIG. 4 is a top front perspective view of the trim piece of FIG. 1;  
 FIG. 5 is a front view of the trim piece of FIG. 1;  
 FIG. 6 is a back view of the trim piece of FIG. 1;  
 FIG. 7 is a top view of the trim piece FIG. 1;  
 FIG. 8 is a left view of the trim piece;  
 FIG. 9 is a right view of the trim piece; and,  
 FIG. 10 is a bottom view of the trim piece of FIG. 1.  
 The claimed design is broken in the center to indicate indeterminate length.

(56) **References Cited**

**U.S. PATENT DOCUMENTS**

3,831,334	A	8/1974	Rutkowski et al.
D248,327	S	6/1978	South
4,189,885	A	2/1980	Fritz
5,016,415	A	5/1991	Kellis

**1 Claim, 2 Drawing Sheets**

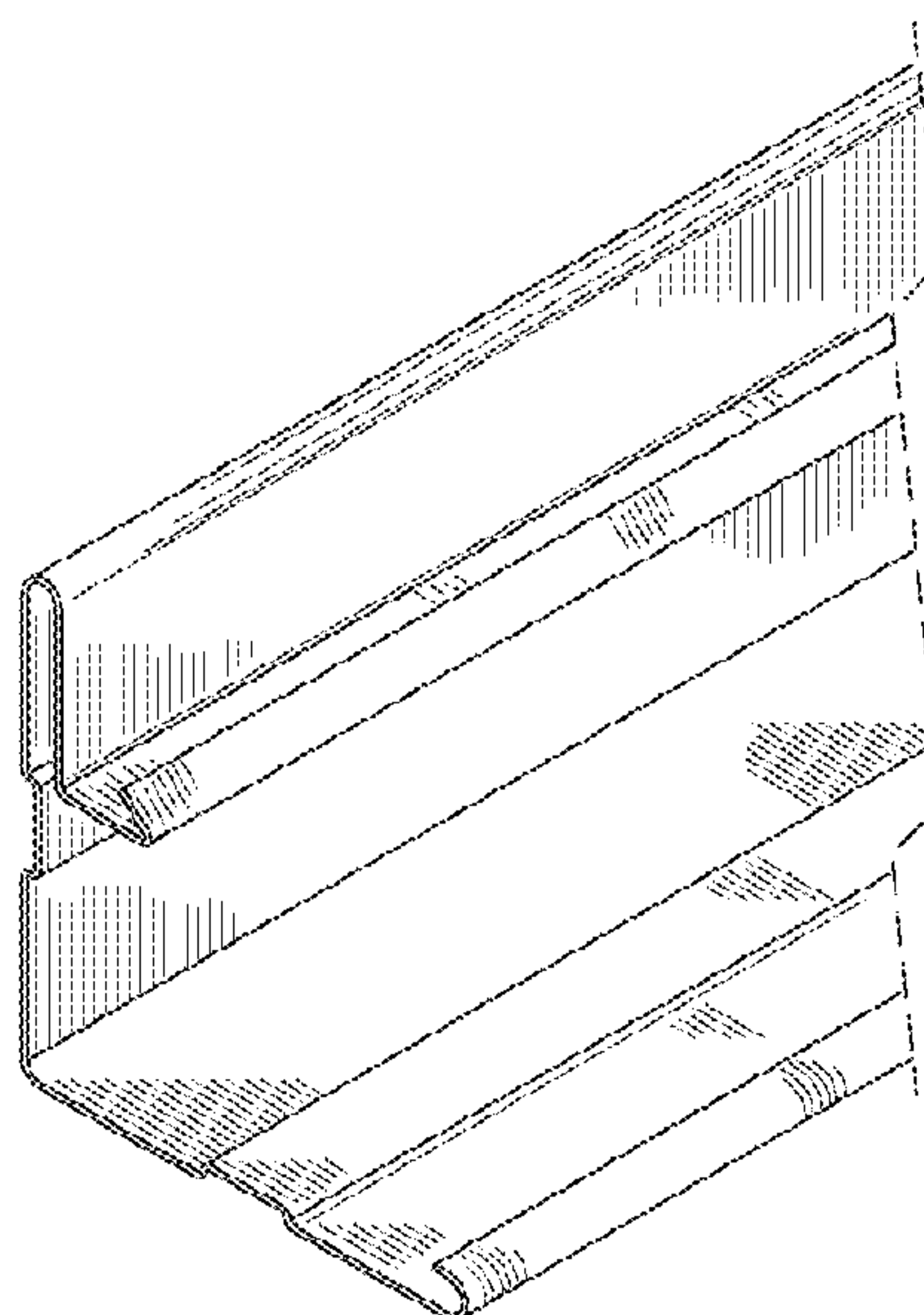


FIG. 1

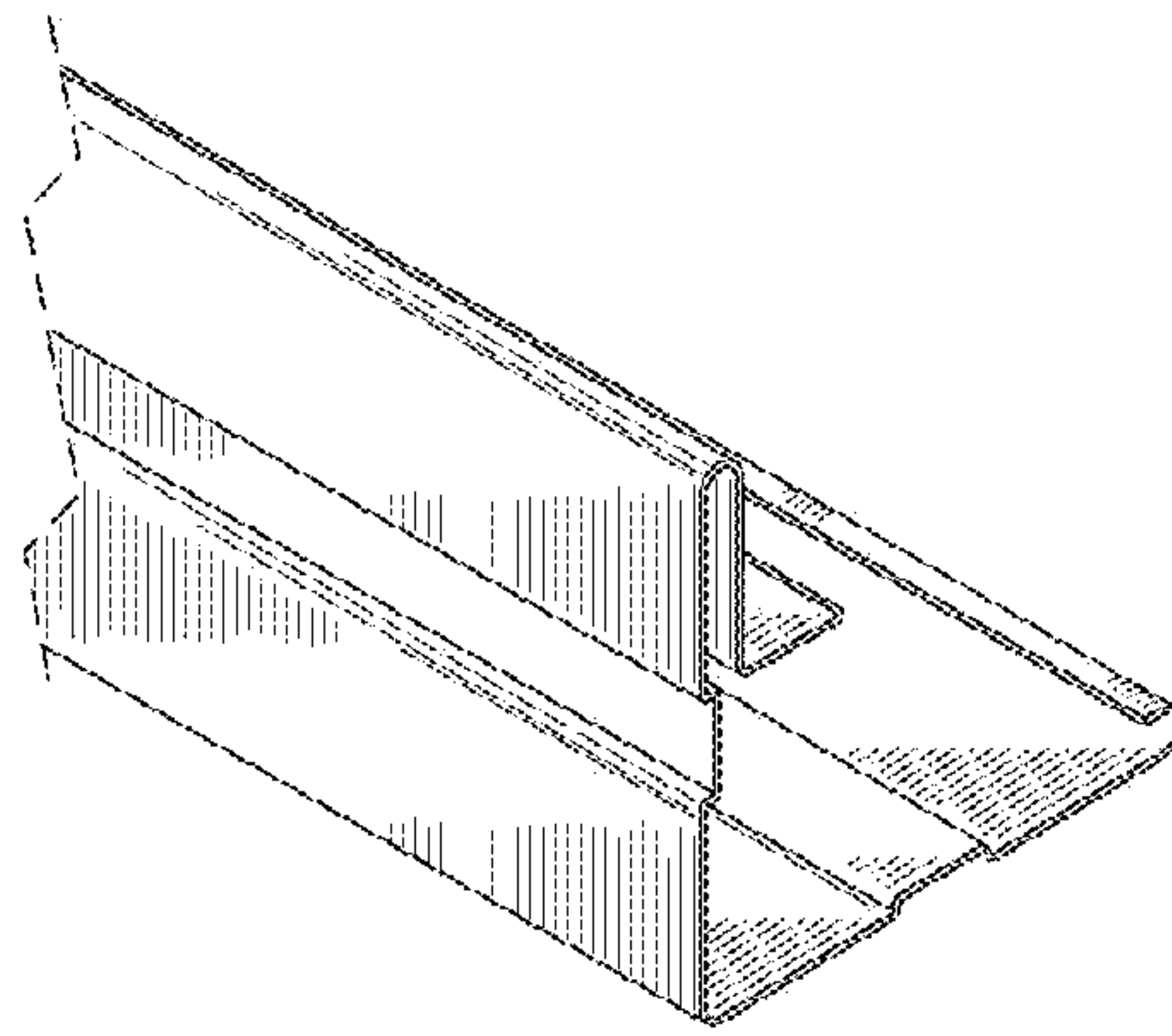


FIG. 2

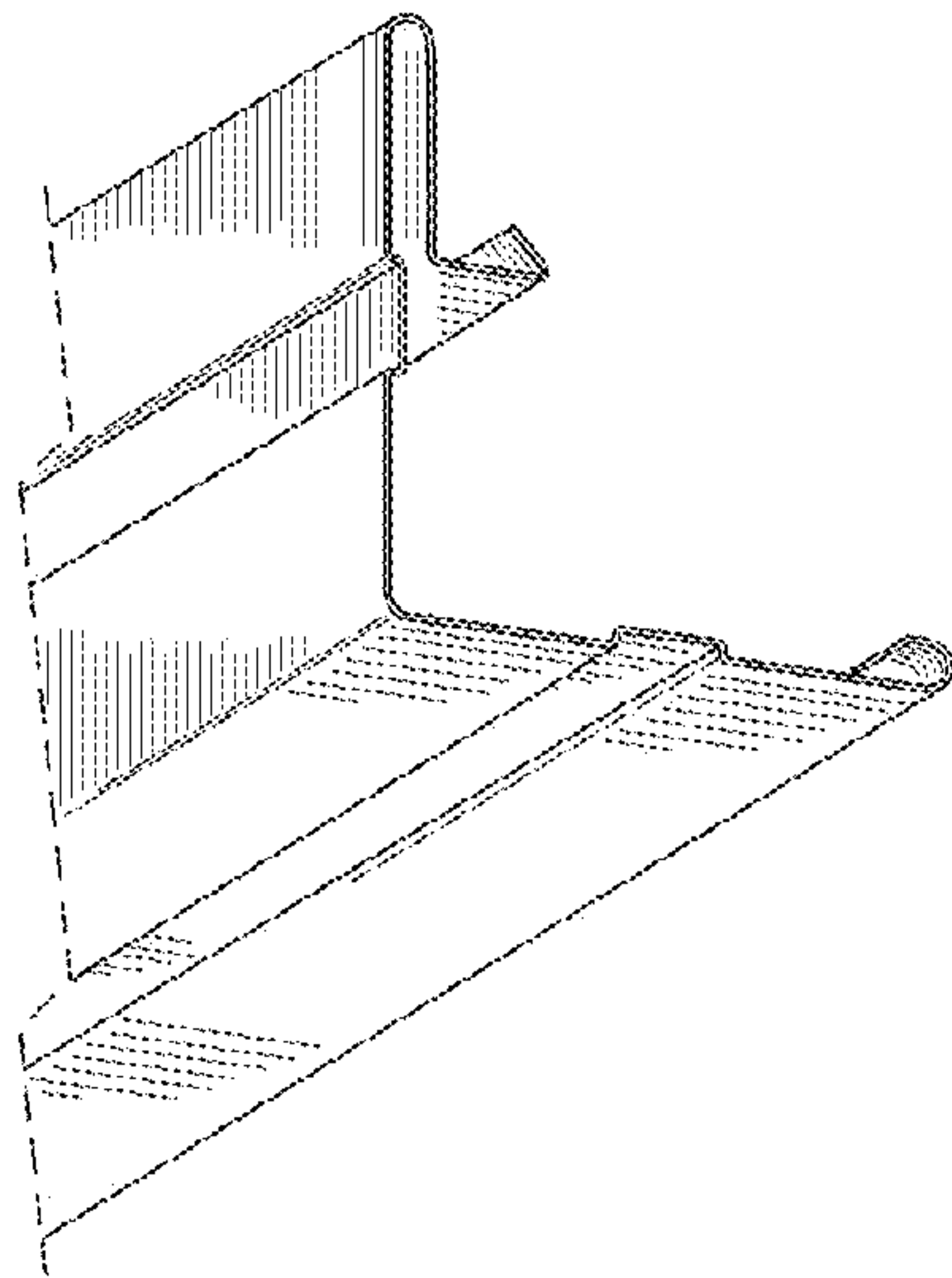


FIG. 3

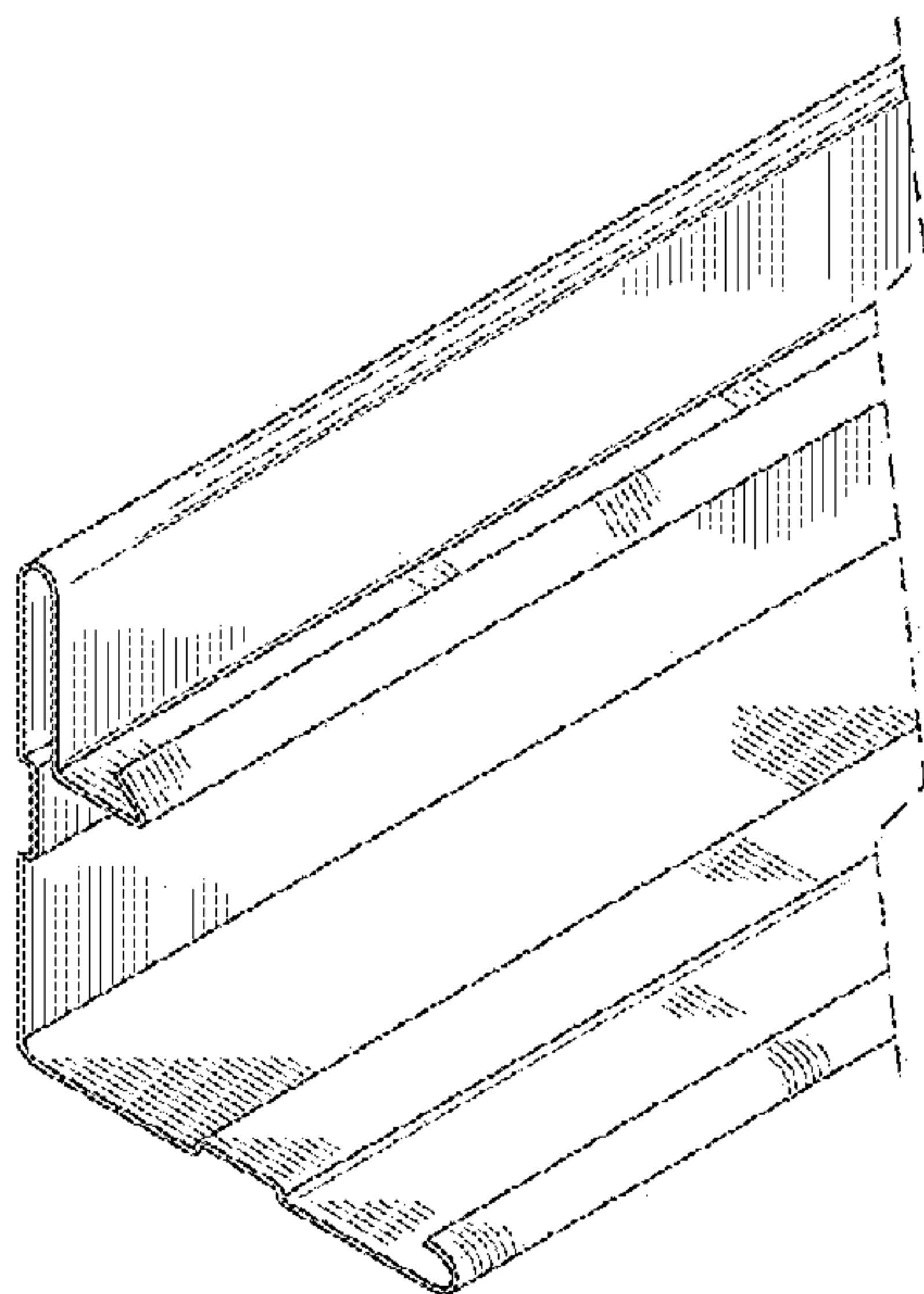
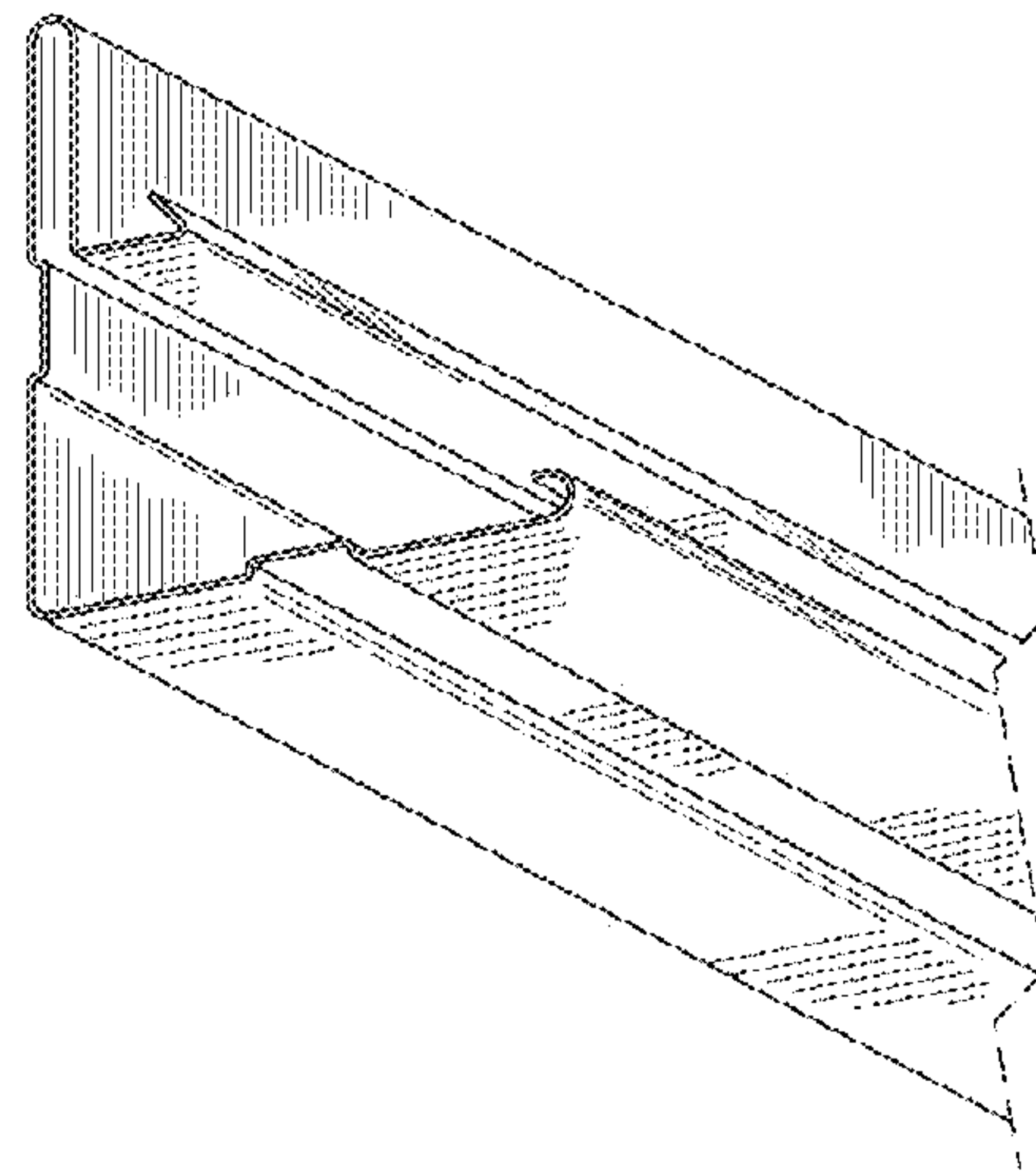


FIG. 4



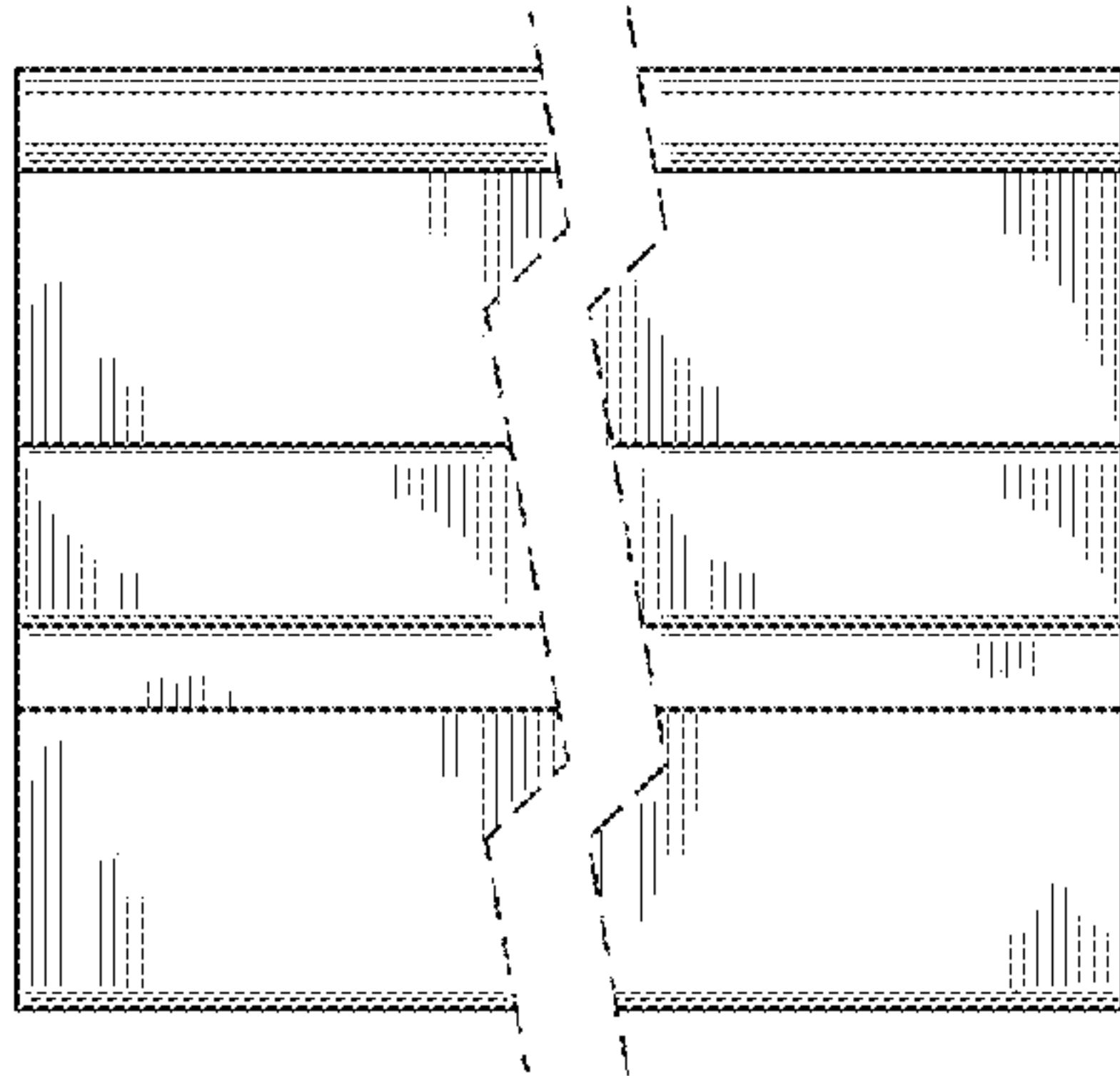


FIG. 7

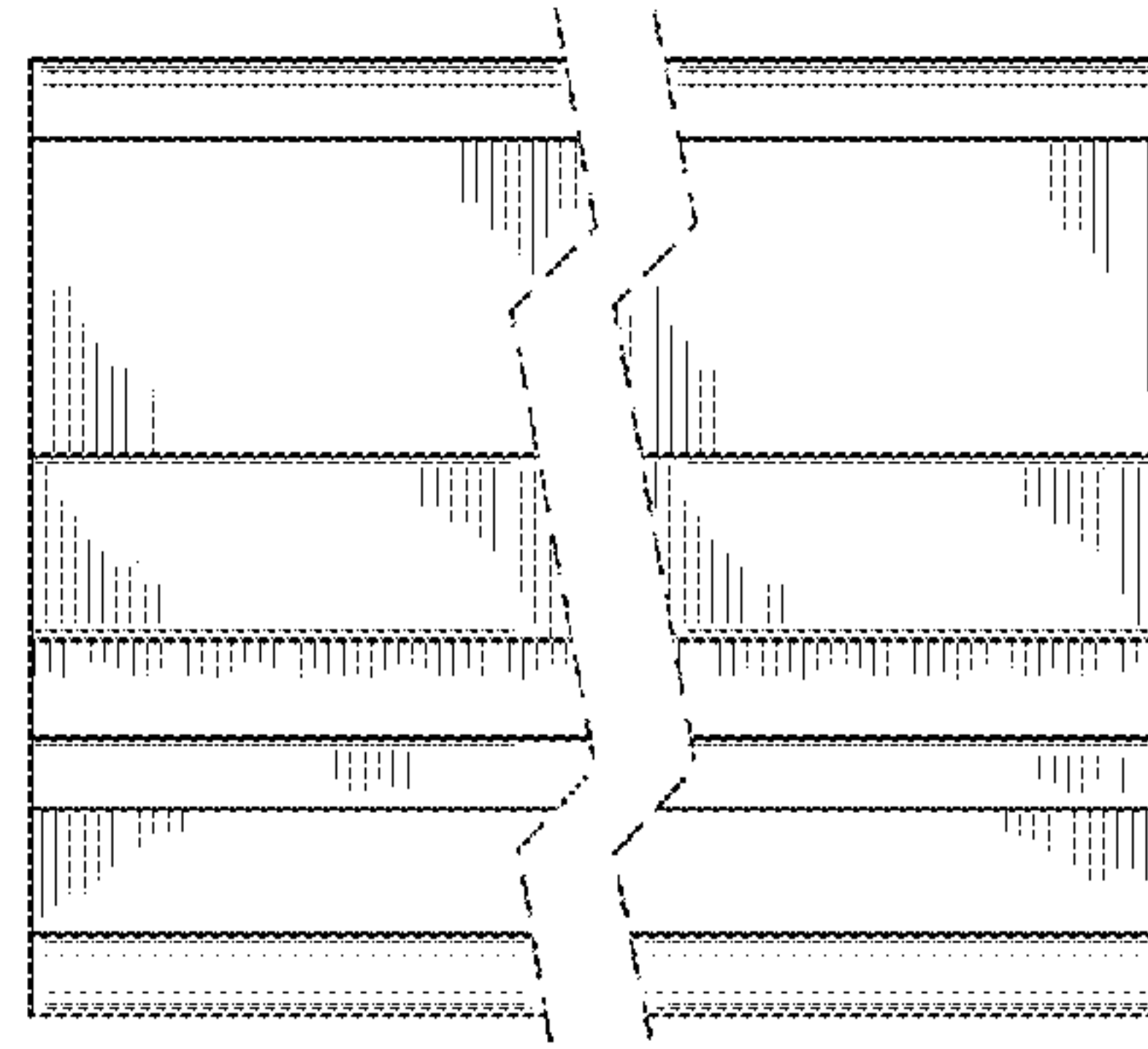


FIG. 5

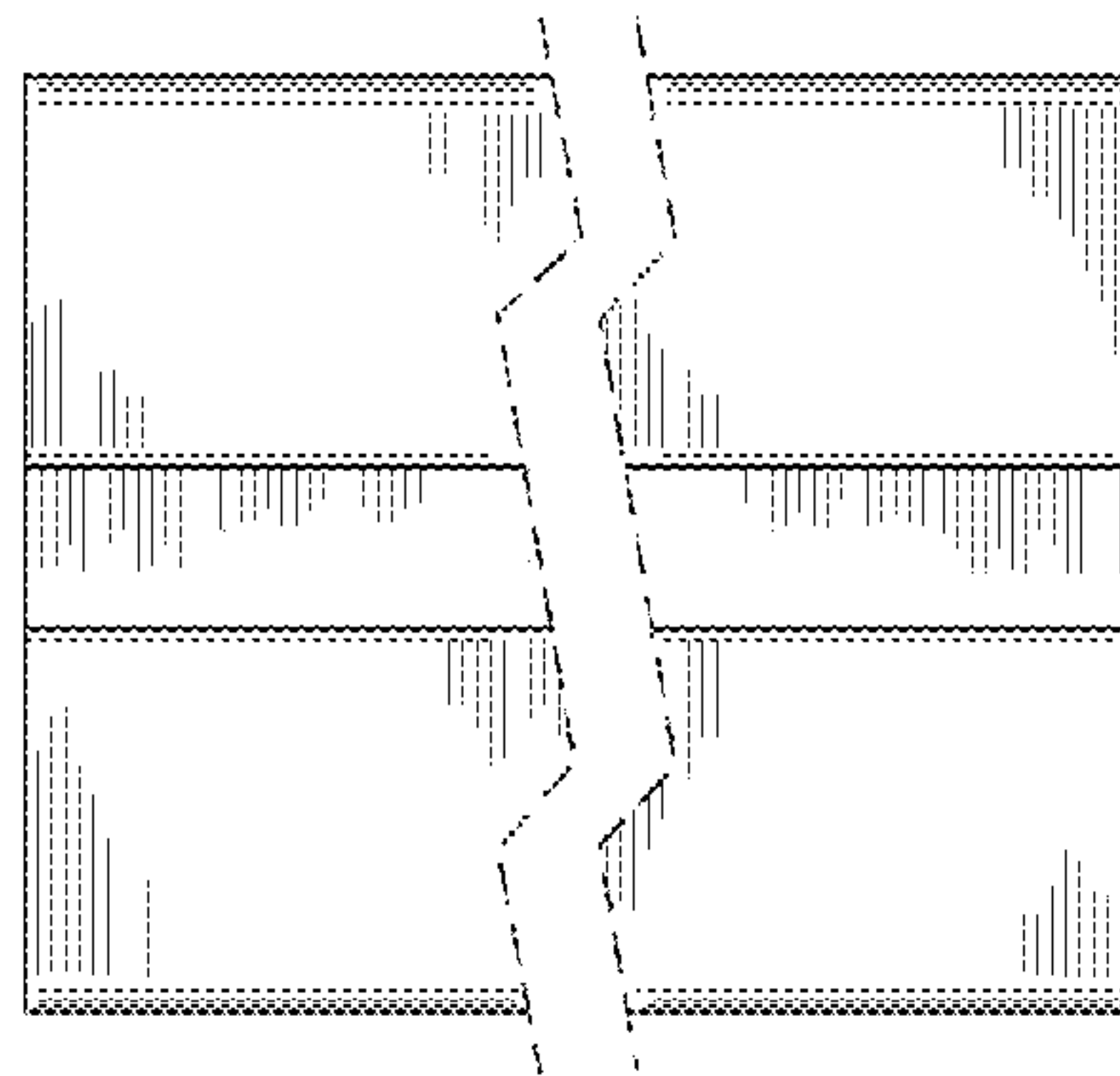


FIG. 6

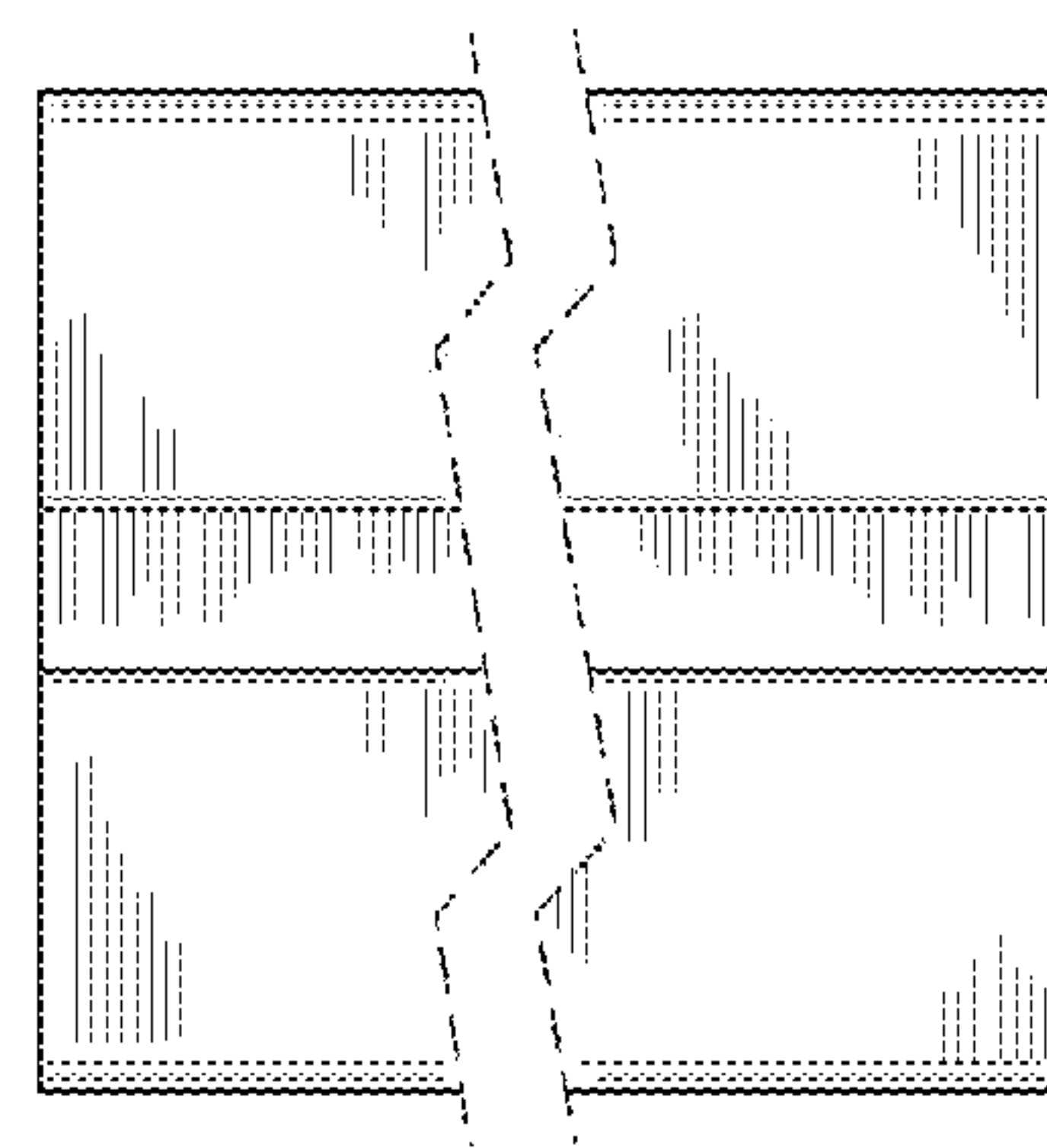


FIG. 10

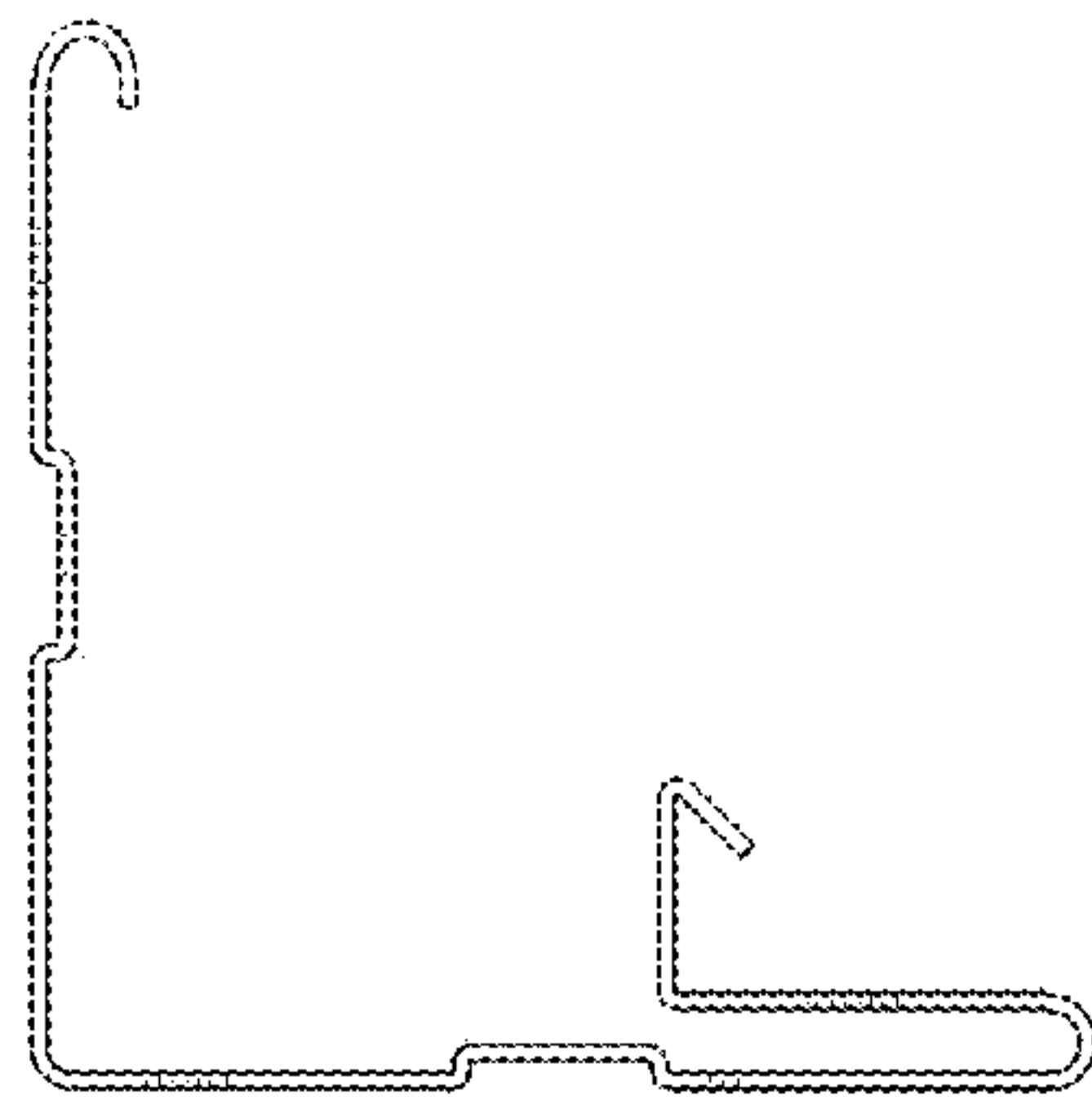


FIG. 8

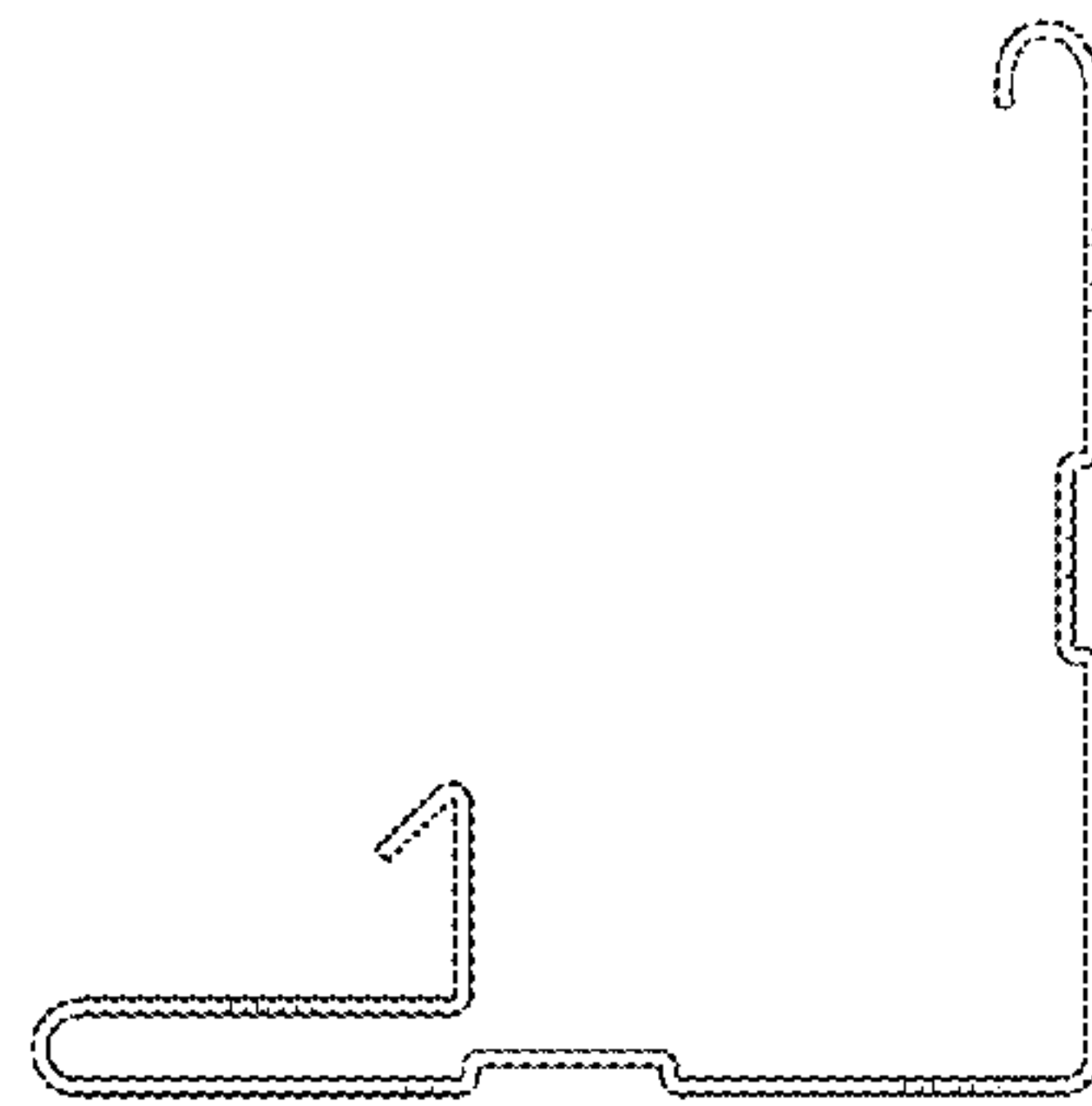


FIG. 9