



US00D740967S

(12) **United States Design Patent**
Indio da Costa et al.

(10) **Patent No.:** **US D740,967 S**
(45) **Date of Patent:** **** Oct. 13, 2015**

(54) **BUS SHELTER**

(71) Applicant: **Odebrecht Transport Participações S/A, São Paulo (BR)**

(72) Inventors: **Luiz Eduardo Indio da Costa, Rio de Janeiro (BR); Luiz Augusto de Siqueira Índio da Costa, Rio de Janeiro (BR); Till Pupak, Rio de Janeiro (BR)**

(73) Assignee: **Odebrecht Transport Participações S/A, São Paulo (BR)**

(**) Term: **14 Years**

(21) Appl. No.: **29/440,018**

(22) Filed: **Dec. 18, 2012**

(30) **Foreign Application Priority Data**

Jun. 18, 2012 (BR) 302012003723

(51) **LOC (10) Cl.** **25-02**

(52) **U.S. Cl.**
USPC **D25/56**

(58) **Field of Classification Search**
USPC D25/1-35, 56; 135/90, 97; 136/251;
52/173.3, 36.2, 73, 79.1, 28, 36.1
See application file for complete search history.

(56) **References Cited**

U.S. PATENT DOCUMENTS

3,735,536	A *	5/1973	Bellasalma	52/73
3,762,109	A *	10/1973	Cohen	52/11
4,018,016	A *	4/1977	Zale	52/79.1
D250,836	S *	1/1979	Lahaie	D25/1
D252,215	S *	6/1979	Leuthesser	D25/1
D336,136	S *	6/1993	Foster	D25/1

D403,434	S *	12/1998	Sander	D25/1
D406,352	S *	3/1999	Kleihues	D25/1
D409,759	S *	5/1999	Foster	D25/1
D433,512	S *	11/2000	Grange	D25/1
D438,635	S *	3/2001	Da Costa	D25/1
D500,143	S *	12/2004	Moncho et al.	D25/56
D529,192	S *	9/2006	Whalen	D25/56
D530,432	S *	10/2006	Gottesdiener	D25/56
D535,034	S *	1/2007	Gottesdiener	D25/56
7,237,360	B2 *	7/2007	Moncho et al.	52/28
D587,817	S *	3/2009	Giugiaro	D25/56
D592,762	S *	5/2009	King et al.	D25/56
D593,213	S *	5/2009	Grimshaw et al.	D25/56
D603,973	S *	11/2009	Jackson et al.	D25/56
D653,709	S *	2/2012	Allen	D20/39
D659,259	S *	5/2012	Duddy	D25/32
D663,779	S *	7/2012	Lueken	D20/19
D703,271	S *	4/2014	Lueken	D20/19
D717,472	S *	11/2014	Indio Da Costa et al.	D25/56

* cited by examiner

Primary Examiner — Garth Rademaker

Assistant Examiner — Samantha Q Lawrence

(74) *Attorney, Agent, or Firm* — Sughrue Mion, PLLC

(57) **CLAIM**

The ornamental design for a bus shelter, as shown and described.

DESCRIPTION

FIG. 1—is a front view of a bus shelter showing our new design;

FIG. 2—is a rear view of the bus shelter;

FIG. 3—is a right side view of the bus shelter;

FIG. 4—is a left side view of the bus shelter;

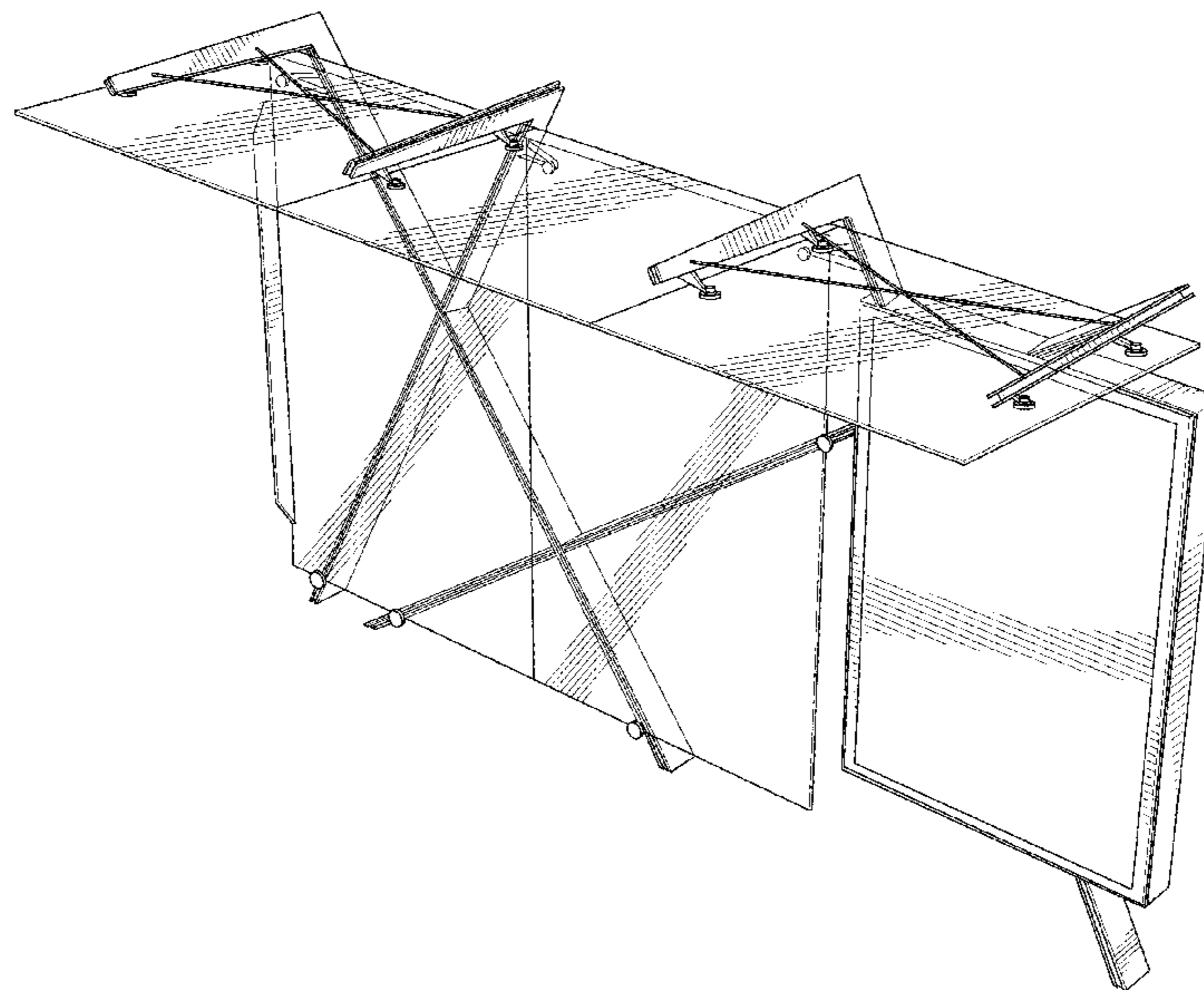
FIG. 5—is a top view of the bus shelter;

FIG. 6—is a bottom view of the bus shelter;

FIG. 7—is a rear perspective view of the bus shelter; and,

FIG. 8—is a front perspective view of the bus shelter.

1 Claim, 7 Drawing Sheets



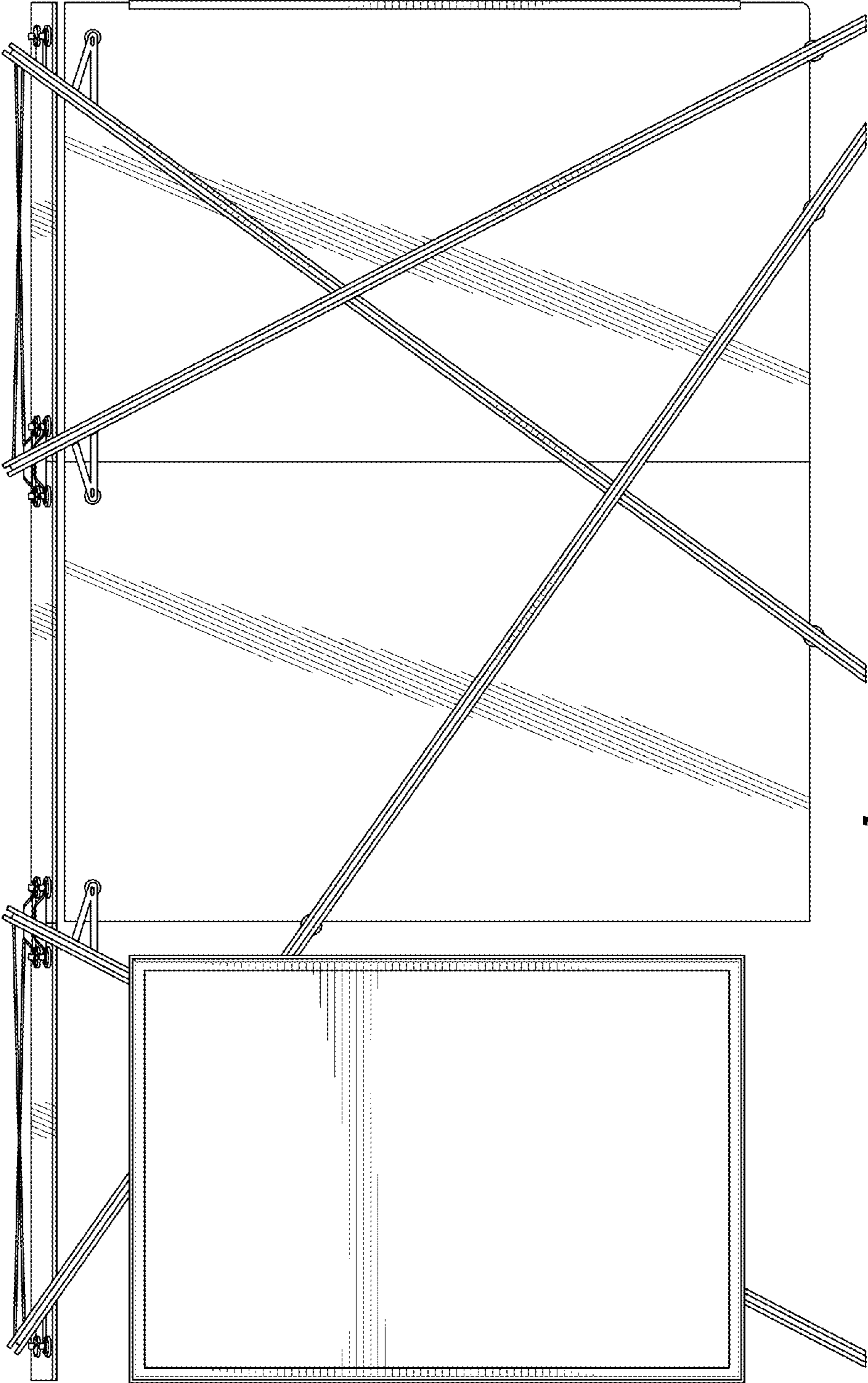


FIG. 1

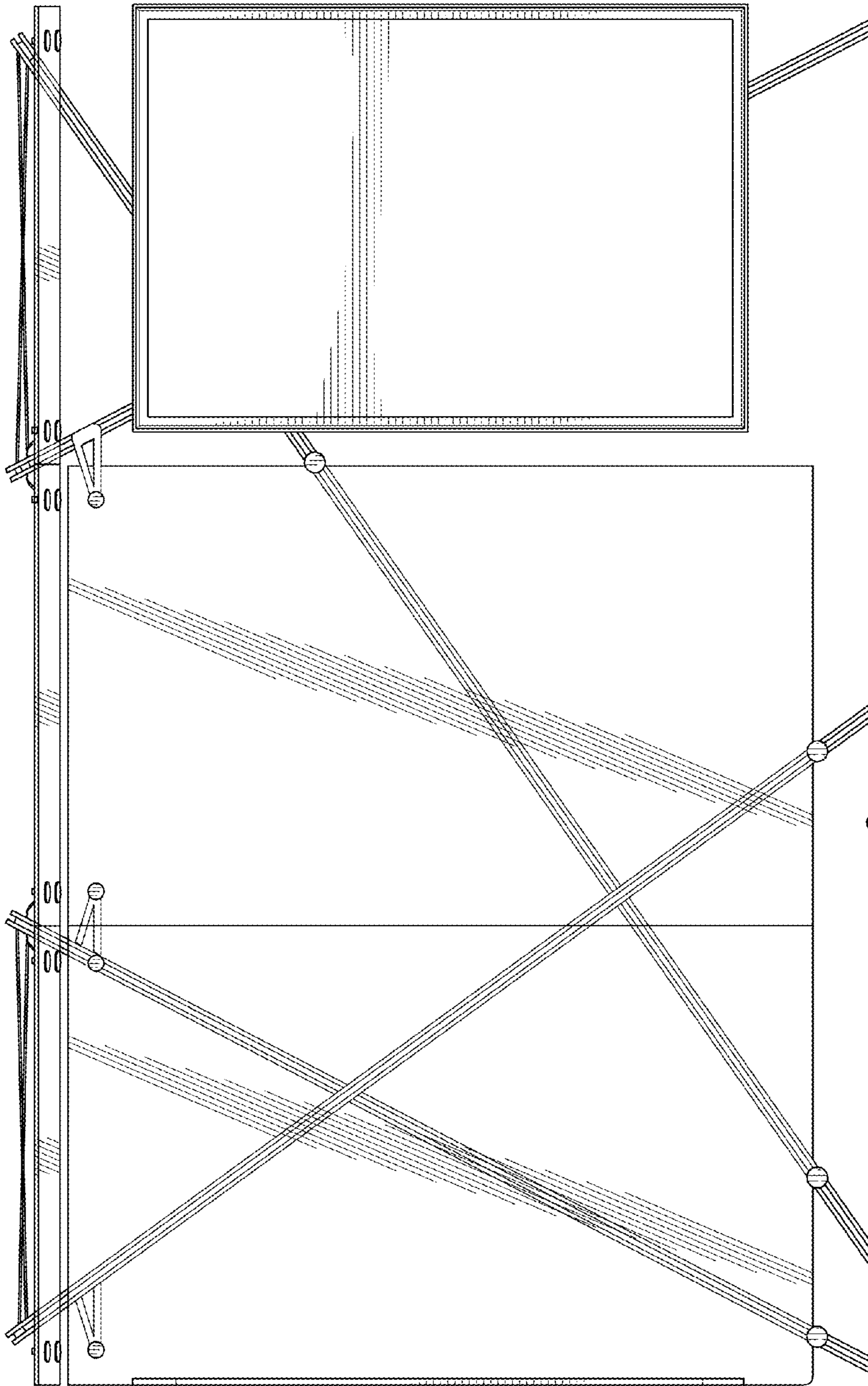


FIG. 2

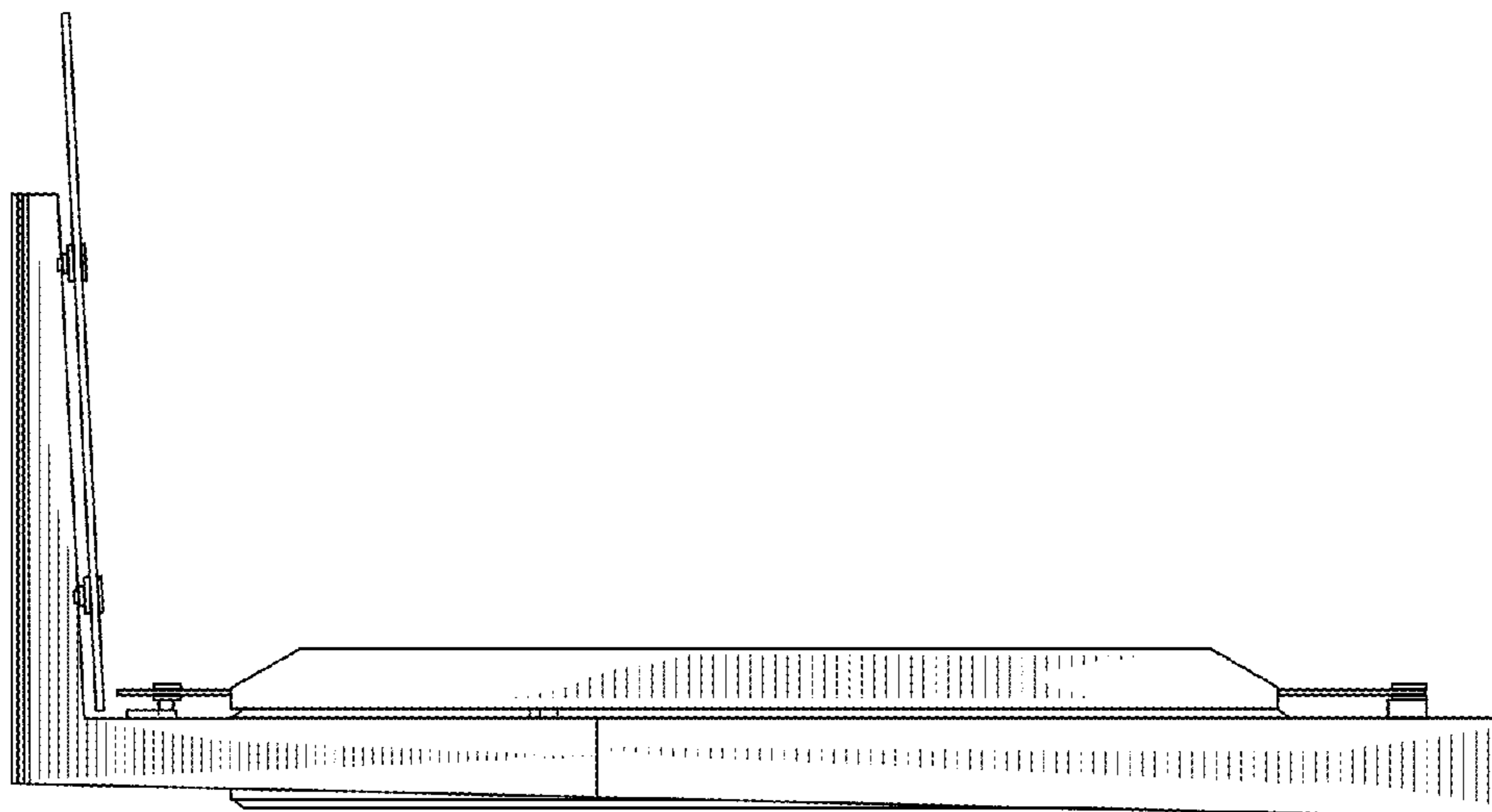


FIG. 4

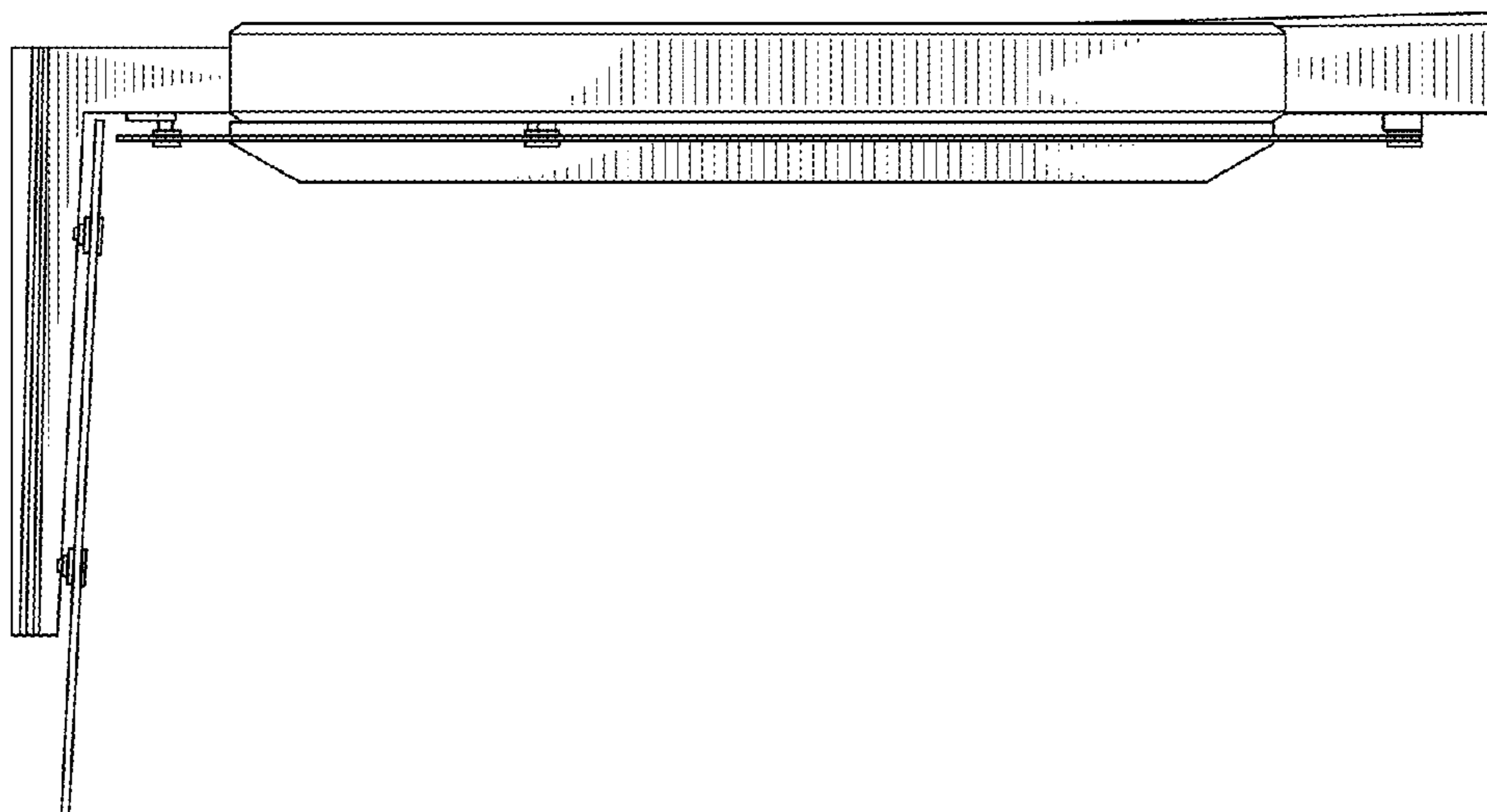


FIG. 3

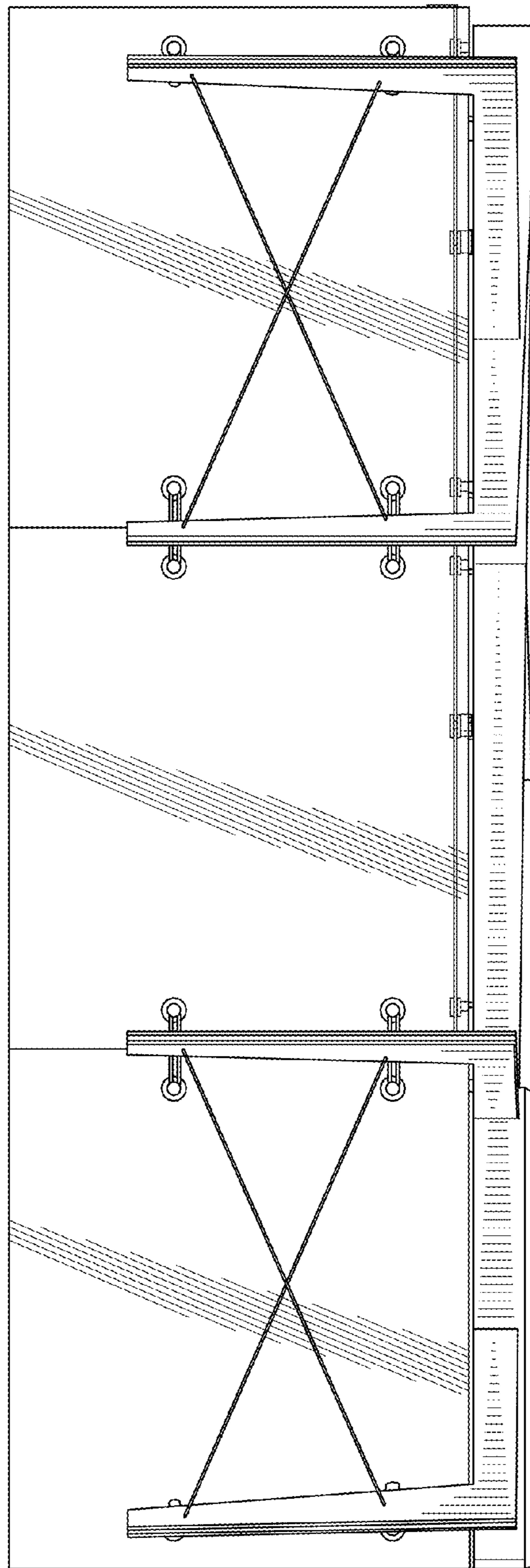


FIG. 5

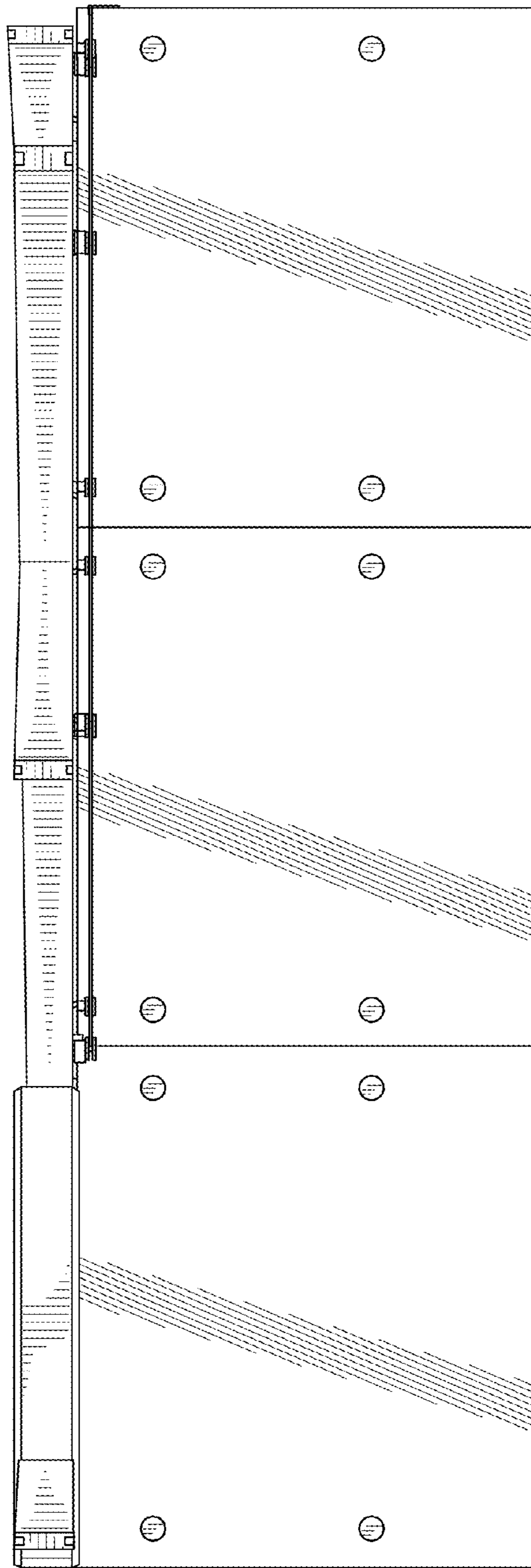


FIG. 6

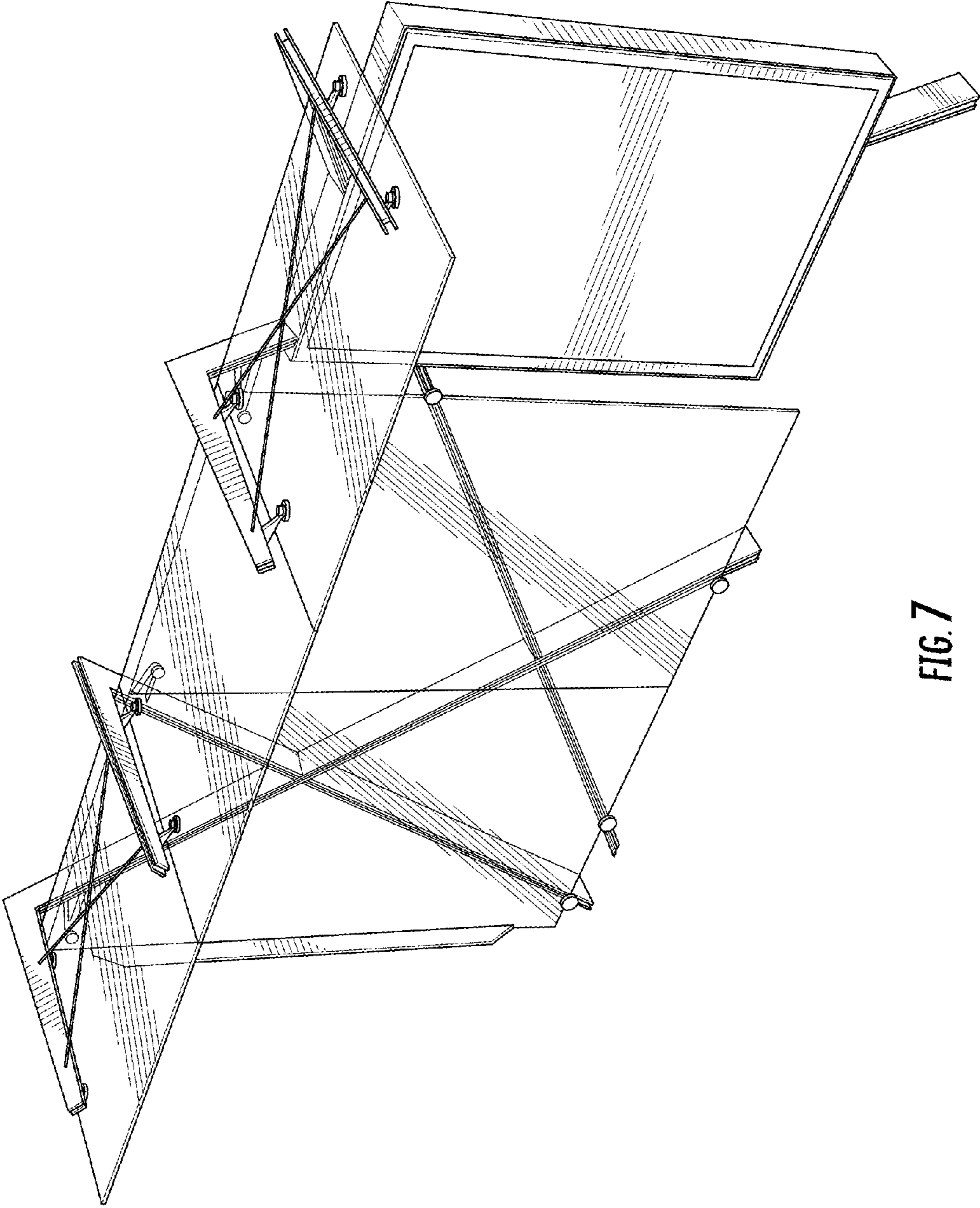


FIG. 7

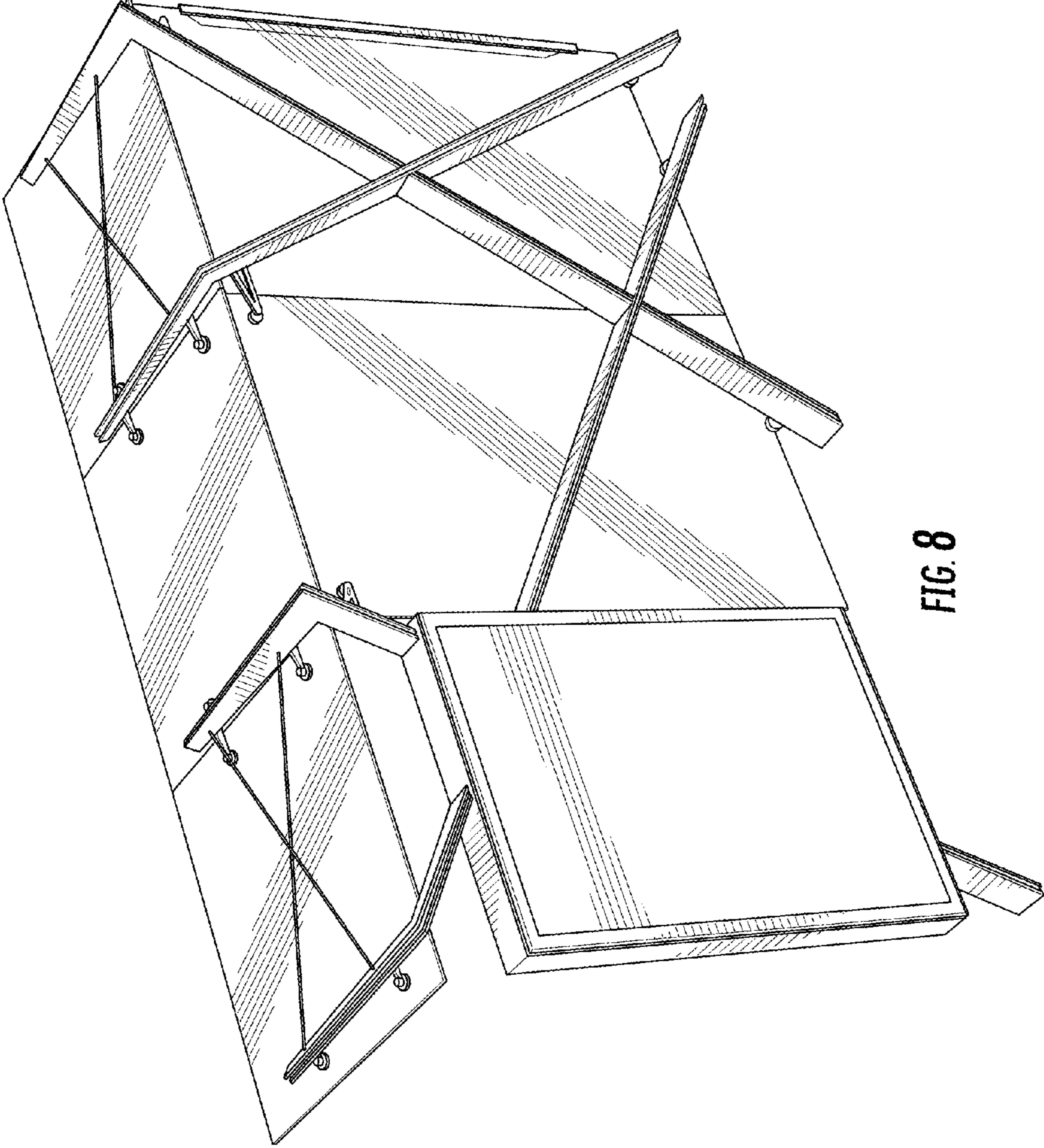


FIG. 8