



US00D740964S

(12) **United States Design Patent**
Wysock et al.

(10) **Patent No.:** **US D740,964 S**
(45) **Date of Patent:** **** Oct. 13, 2015**

(54) **DOOR FACING**

(71) Applicant: **Masonite Corporation**, Tampa, FL (US)

(72) Inventors: **Gregory J. Wysock**, Huntley, IL (US);
Timothy D. Gouge, Elgin, IL (US)

(73) Assignee: **Masonite Corporation**, Tampa, FL (US)

(**) Term: **14 Years**

(21) Appl. No.: **29/507,518**

(22) Filed: **Oct. 28, 2014**

Related U.S. Application Data

(63) Continuation of application No. 29/471,385, filed on Oct. 31, 2013, now Pat. No. Des. 716,474.

(51) **LOC (10) Cl.** **25-02**

(52) **U.S. Cl.**
USPC **D25/48.3**

(58) **Field of Classification Search**
USPC D25/48.3; 52/455, 784.13; 49/504
See application file for complete search history.

(56) **References Cited**

U.S. PATENT DOCUMENTS

4,030,246	A *	6/1977	Naylor	49/501
D530,431	S	10/2006	Walsh et al.		
D582,565	S *	12/2008	Colston et al.	D25/48.3
D607,579	S	1/2010	Walsh et al.		
D616,109	S	5/2010	Steiber et al.		
D617,005	S	6/2010	Mullet		
2011/0036036	A1	2/2011	Thompson et al.		
2011/0107703	A1	5/2011	Mullet		

* cited by examiner

Primary Examiner — Doris Clark

(74) *Attorney, Agent, or Firm* — Berenato & White, LLC

(57) **CLAIM**

The ornamental design for a door facing, as shown and described.

DESCRIPTION

FIG. 1 is a front perspective view of our design;
 FIG. 2 is a front elevational view;
 FIG. 3 is an enlarged fragmentary elevational view of a portion of FIG. 2;
 FIG. 4 is a rear elevational view;
 FIG. 5 is a top plan view;
 FIG. 6 is a bottom plan view;
 FIG. 7 is a cross sectional view taken along the line 7-7 of FIG. 2;
 FIG. 8 is an enlarged fragmentary cross sectional view of a portion of FIG. 7;
 FIG. 9 is a left side elevational view;
 FIG. 10 is a right side elevational view;
 FIG. 11 is a cross sectional view taken along the line 11-11 of FIG. 2;
 FIG. 12 is an enlarged fragmentary cross sectional view of a portion of FIG. 11;
 FIG. 13 is a front perspective view of a second embodiment of our design;
 FIG. 14 is a front elevational view of FIG. 13;
 FIG. 15 is an enlarged fragmentary elevational view of a portion of FIG. 14;
 FIG. 16 is a rear elevational view of FIG. 13;
 FIG. 17 is a top plan view of FIG. 14;
 FIG. 18 is a bottom plan view of FIG. 14;
 FIG. 19 is a cross sectional view taken along the line 19-19 of FIG. 14;
 FIG. 20 is an enlarged fragmentary cross sectional view of a portion of FIG. 19;
 FIG. 21 is a left side elevational view of FIG. 14;
 FIG. 22 is a right side elevational view of FIG. 14;
 FIG. 23 is a cross sectional view taken along the line 23-23 of FIG. 14; and,
 FIG. 24 is an enlarged fragmentary cross sectional view of a portion of FIG. 23.

1 Claim, 14 Drawing Sheets

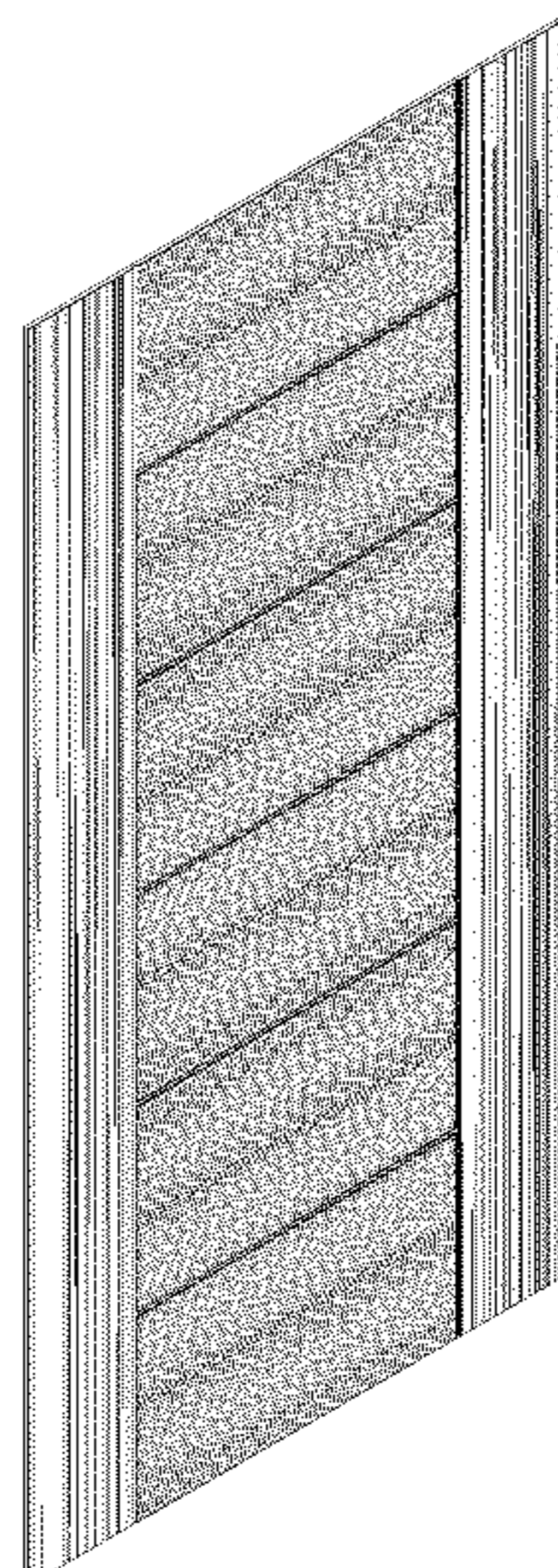


Fig. 1



Fig. 2

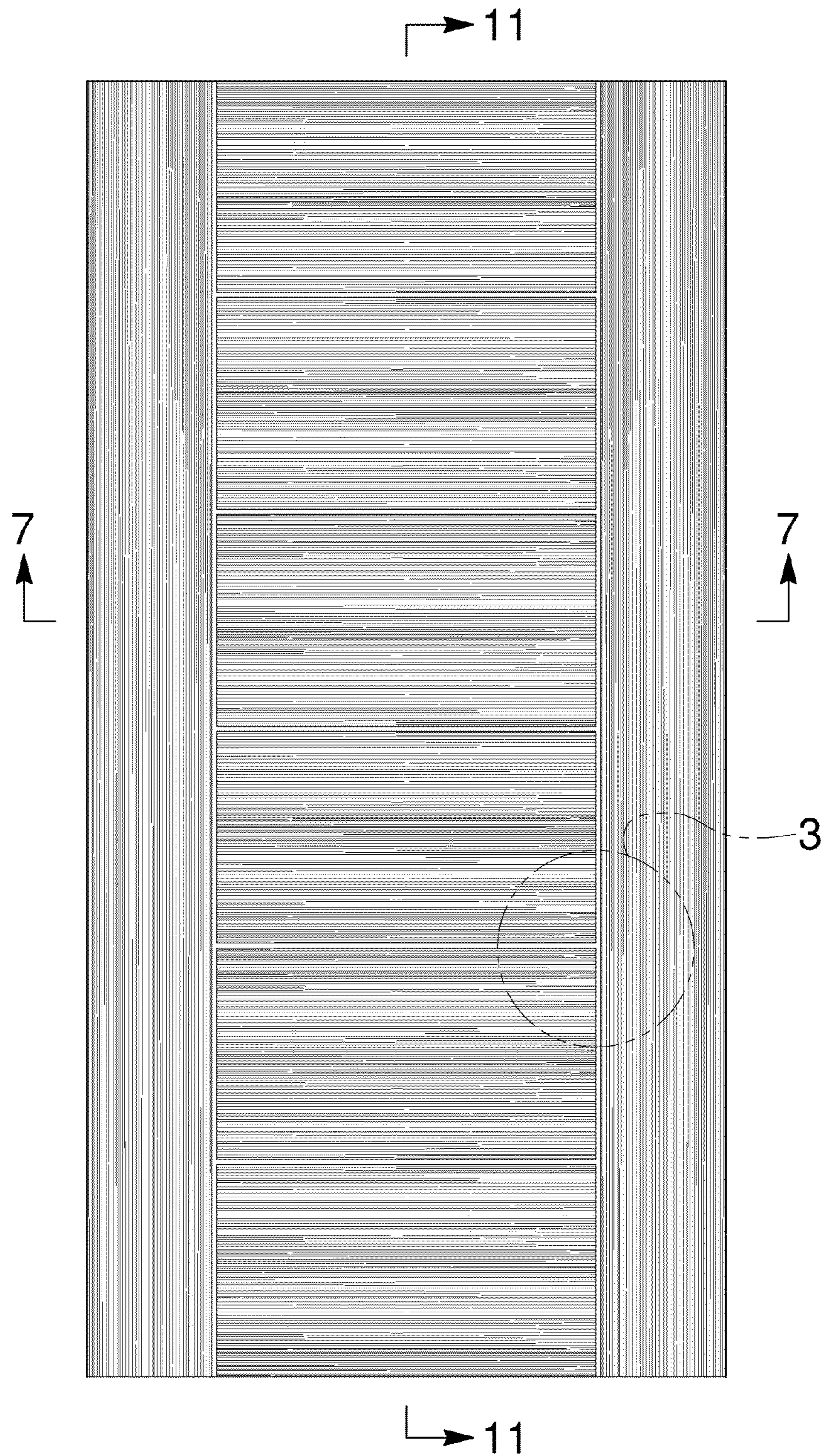


Fig. 3

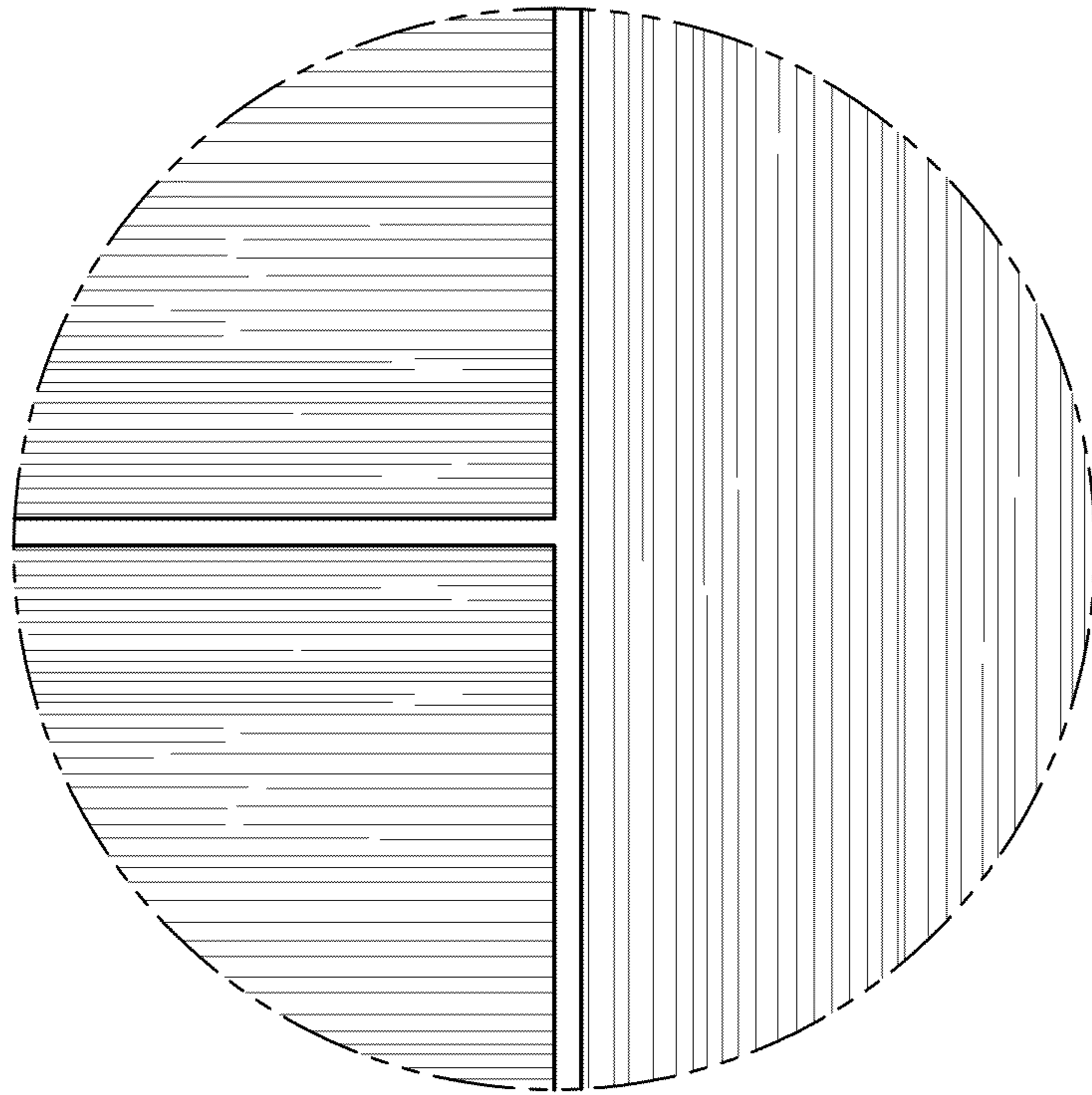


Fig. 4

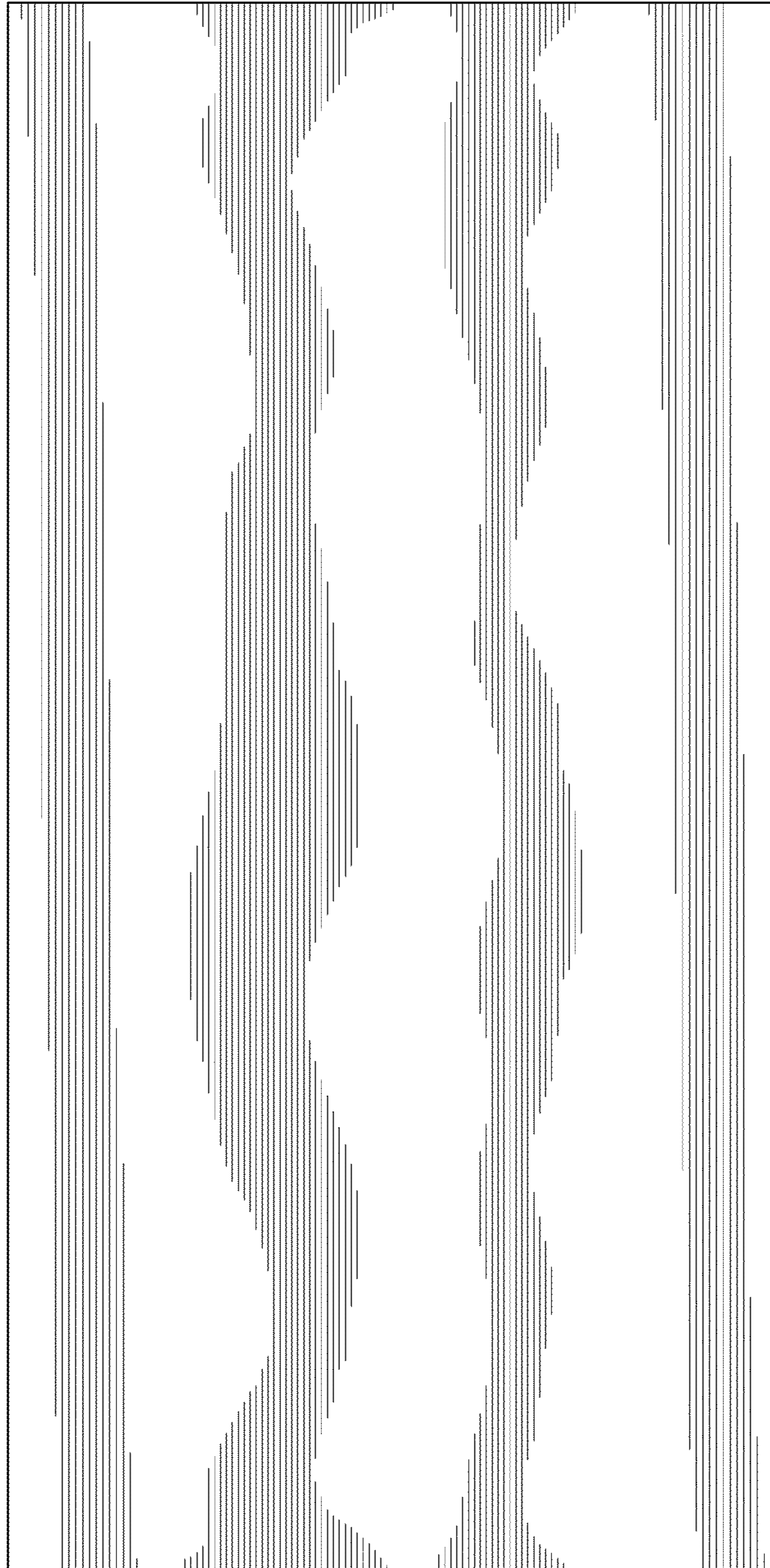


Fig. 5

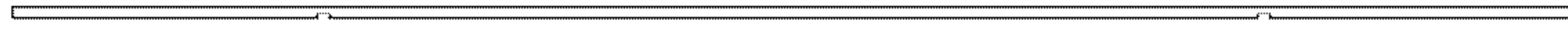


Fig. 6

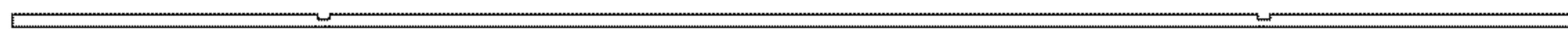


Fig. 7

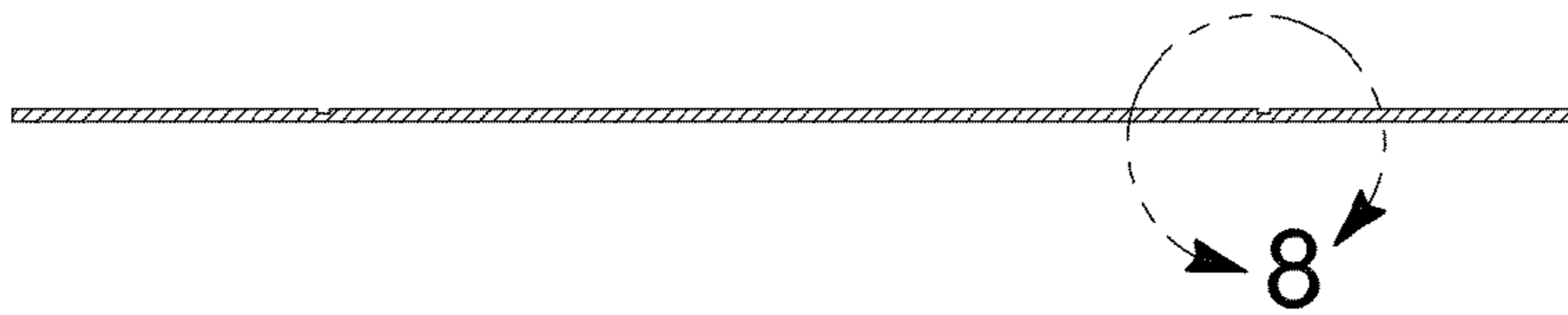


Fig. 8

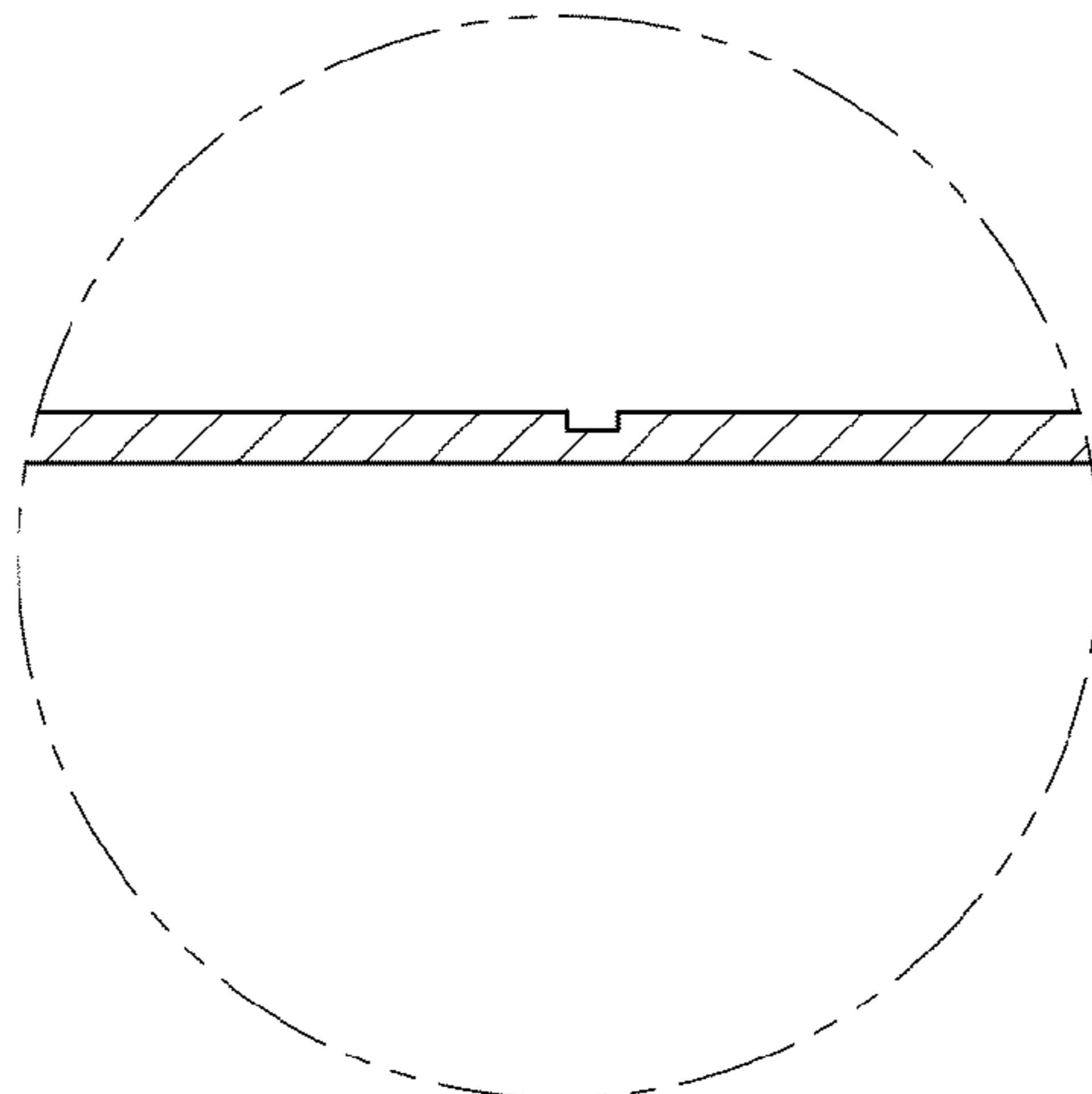


Fig. 9



Fig. 10

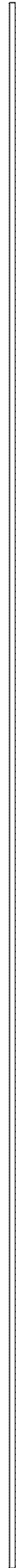


Fig. 11

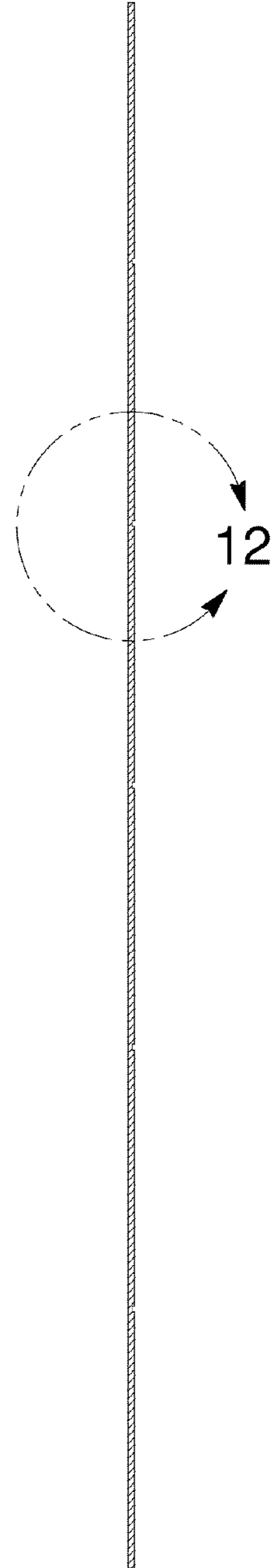


Fig. 12

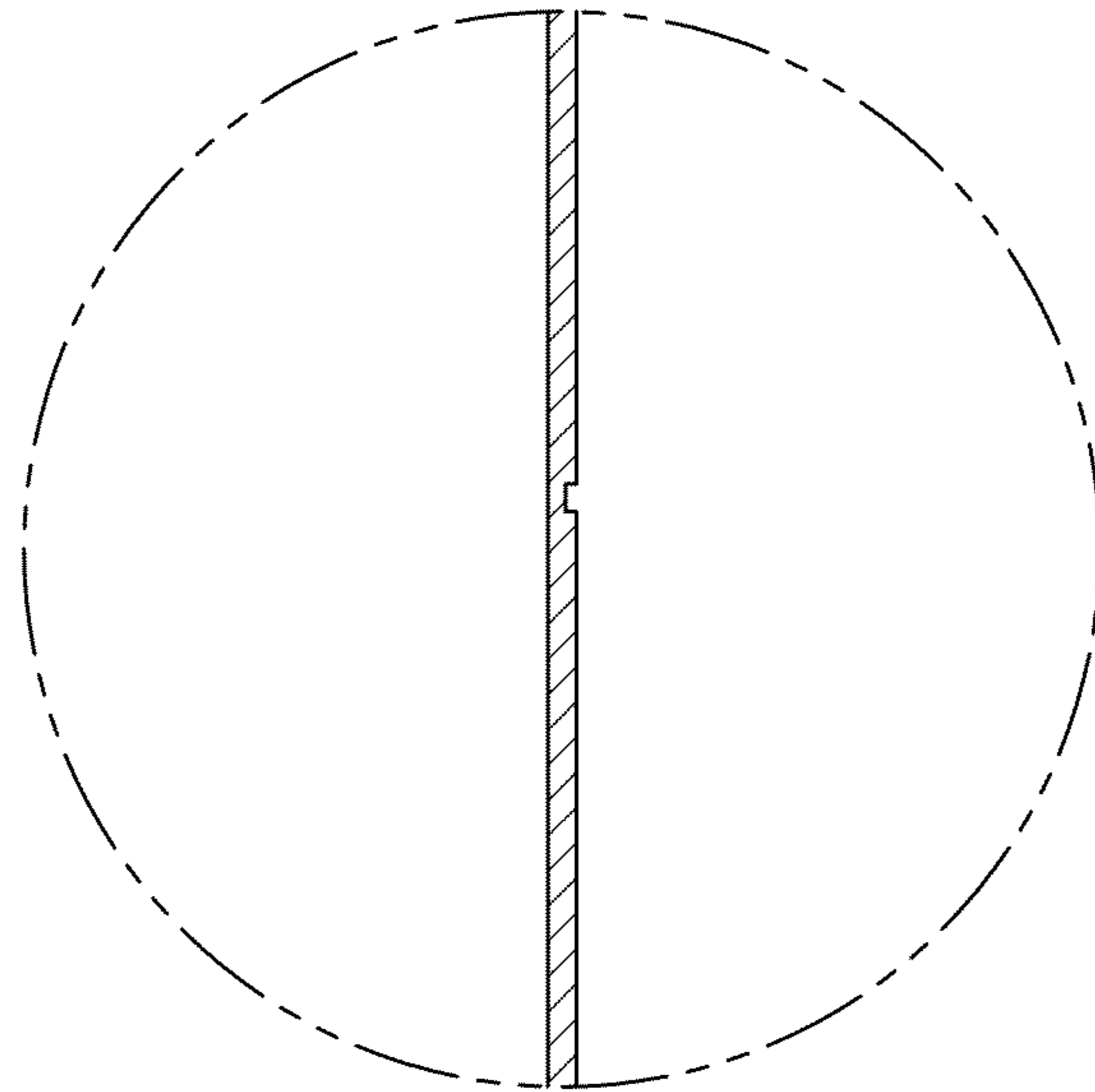


Fig. 13

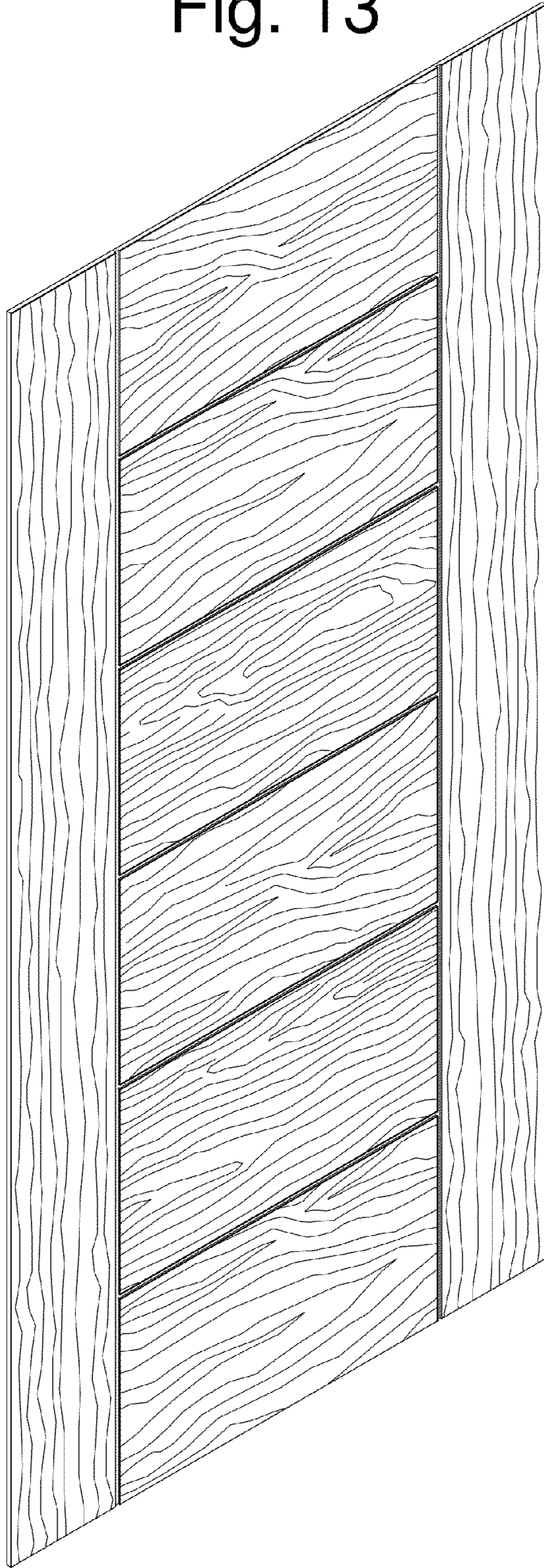


Fig. 14

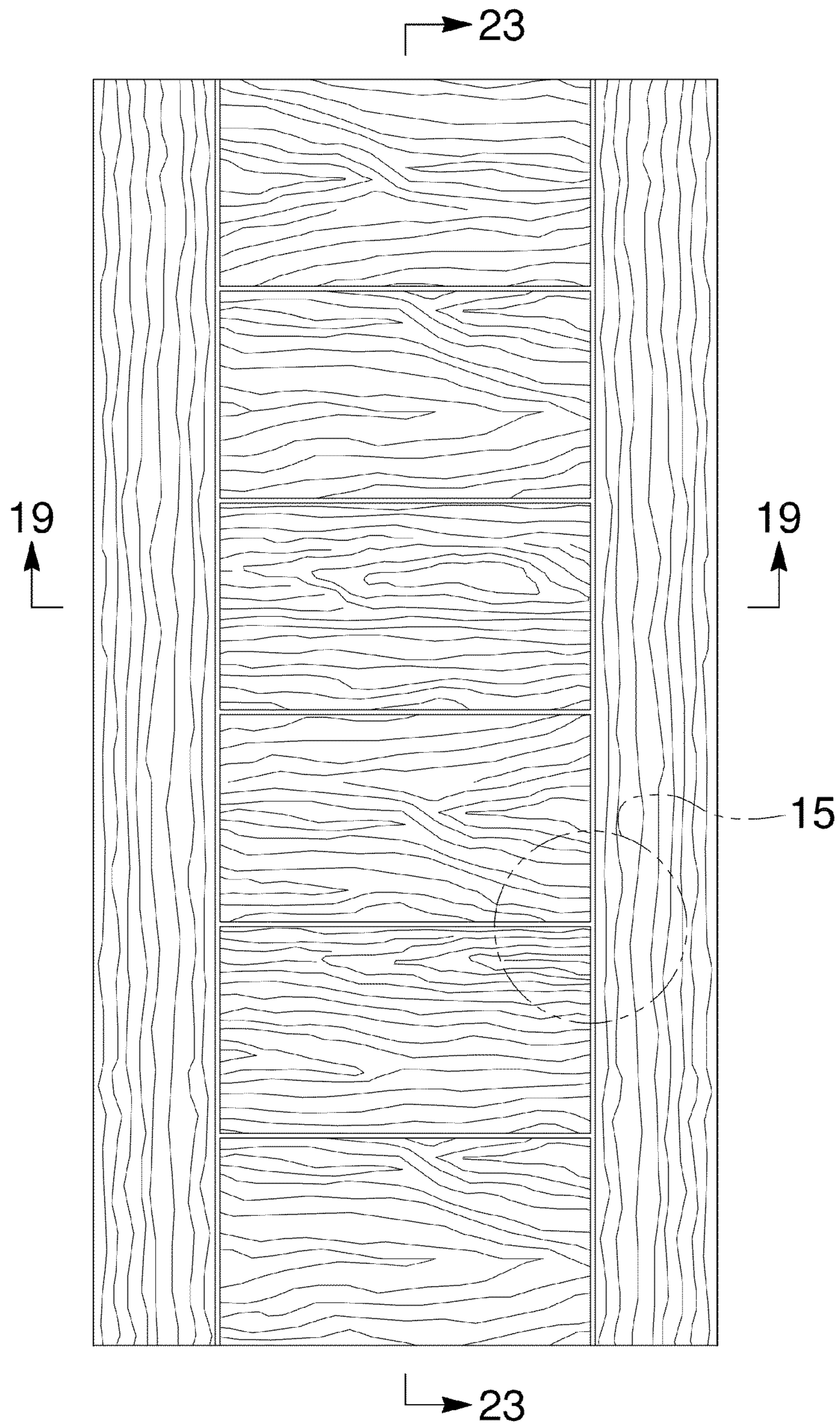


Fig. 15

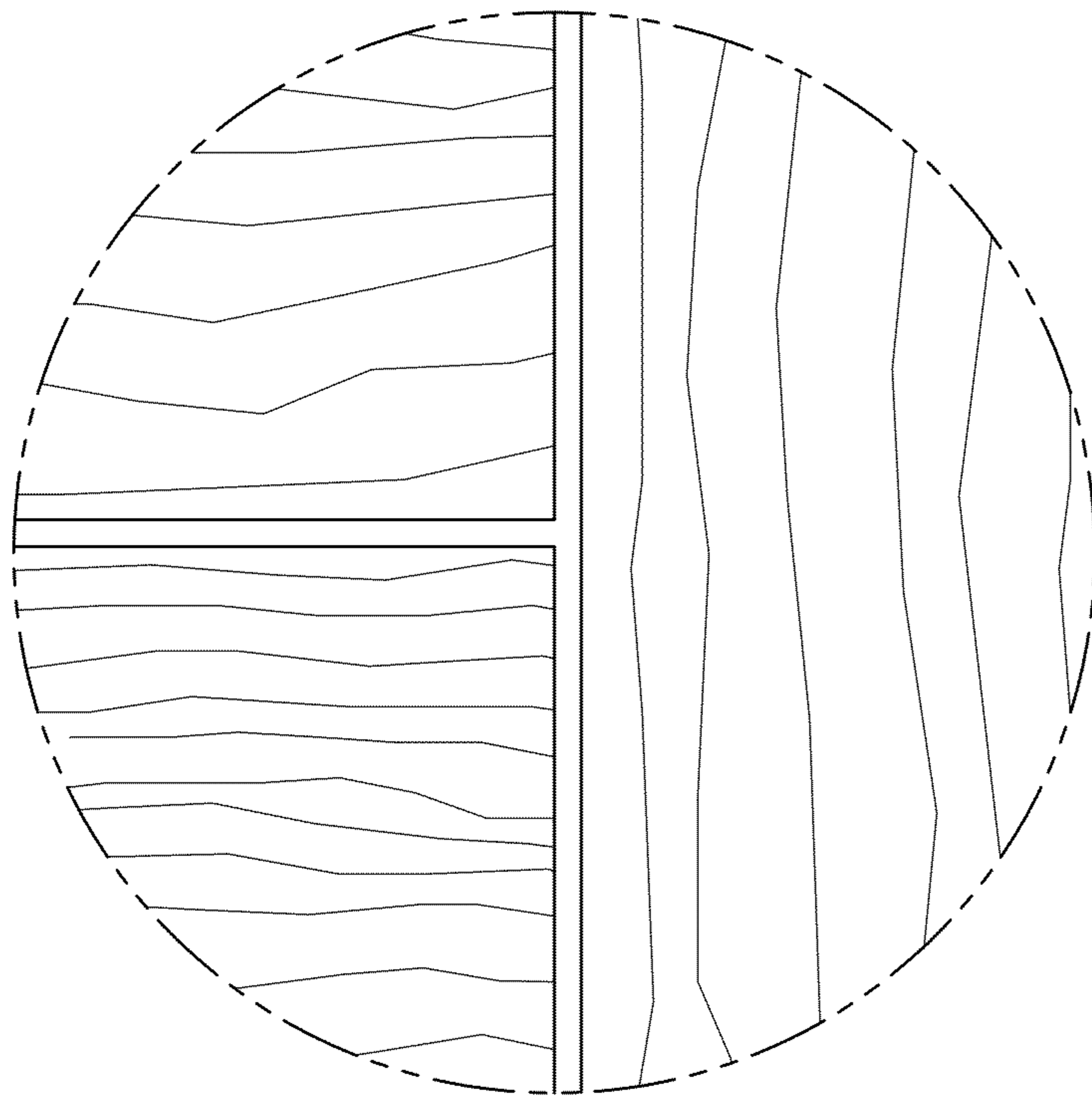


Fig. 16

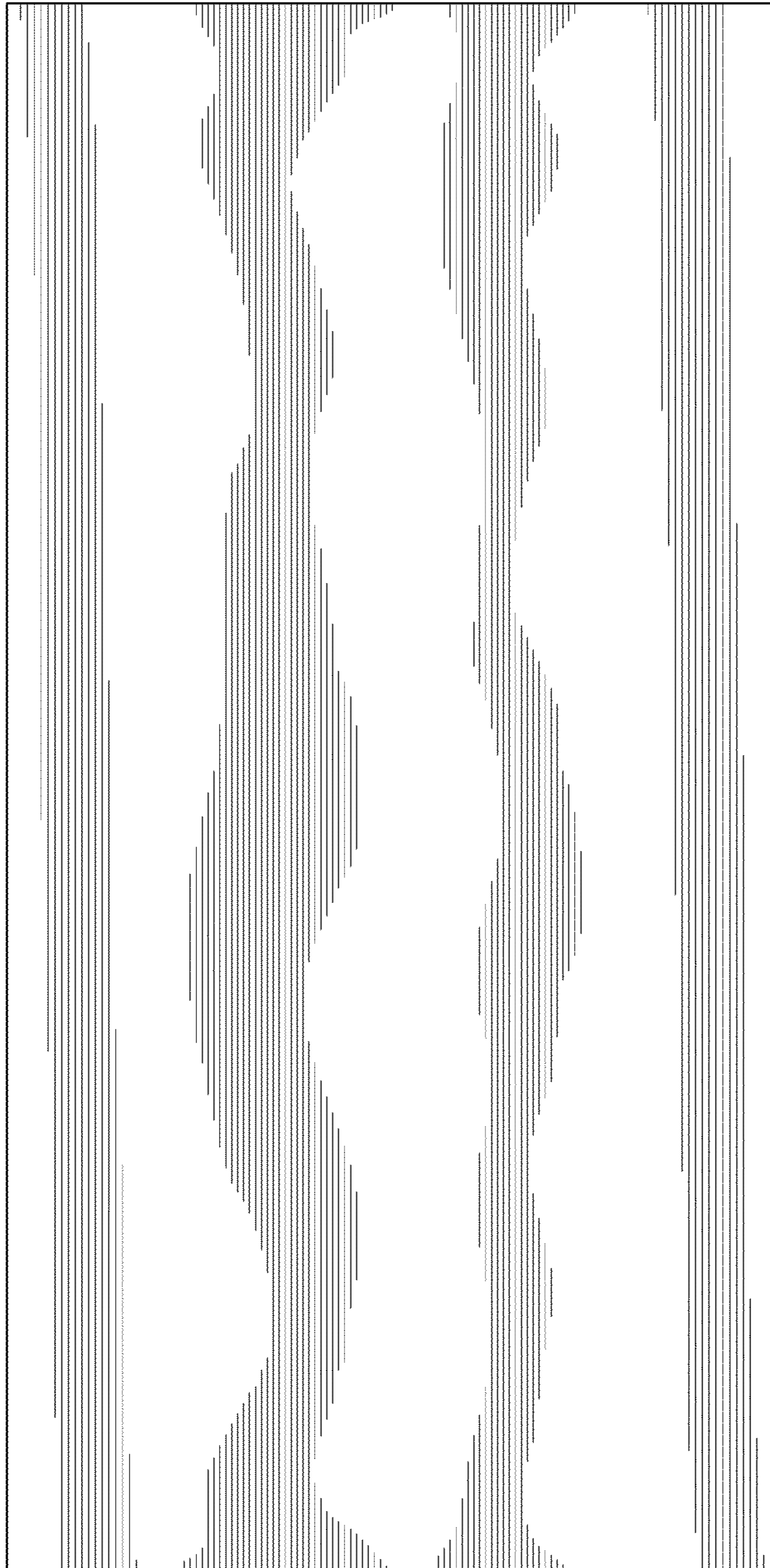


Fig. 17



Fig. 18

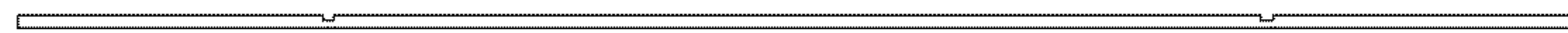


Fig. 19

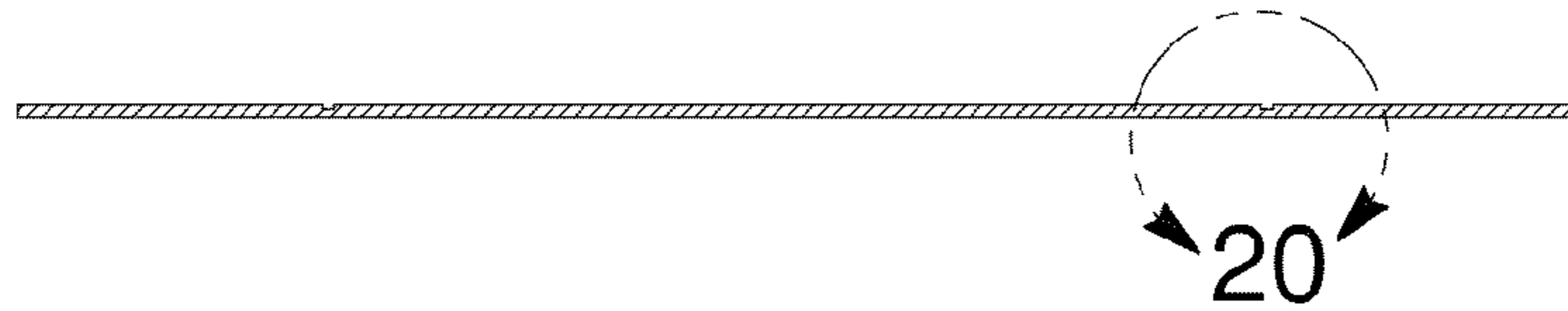


Fig. 20

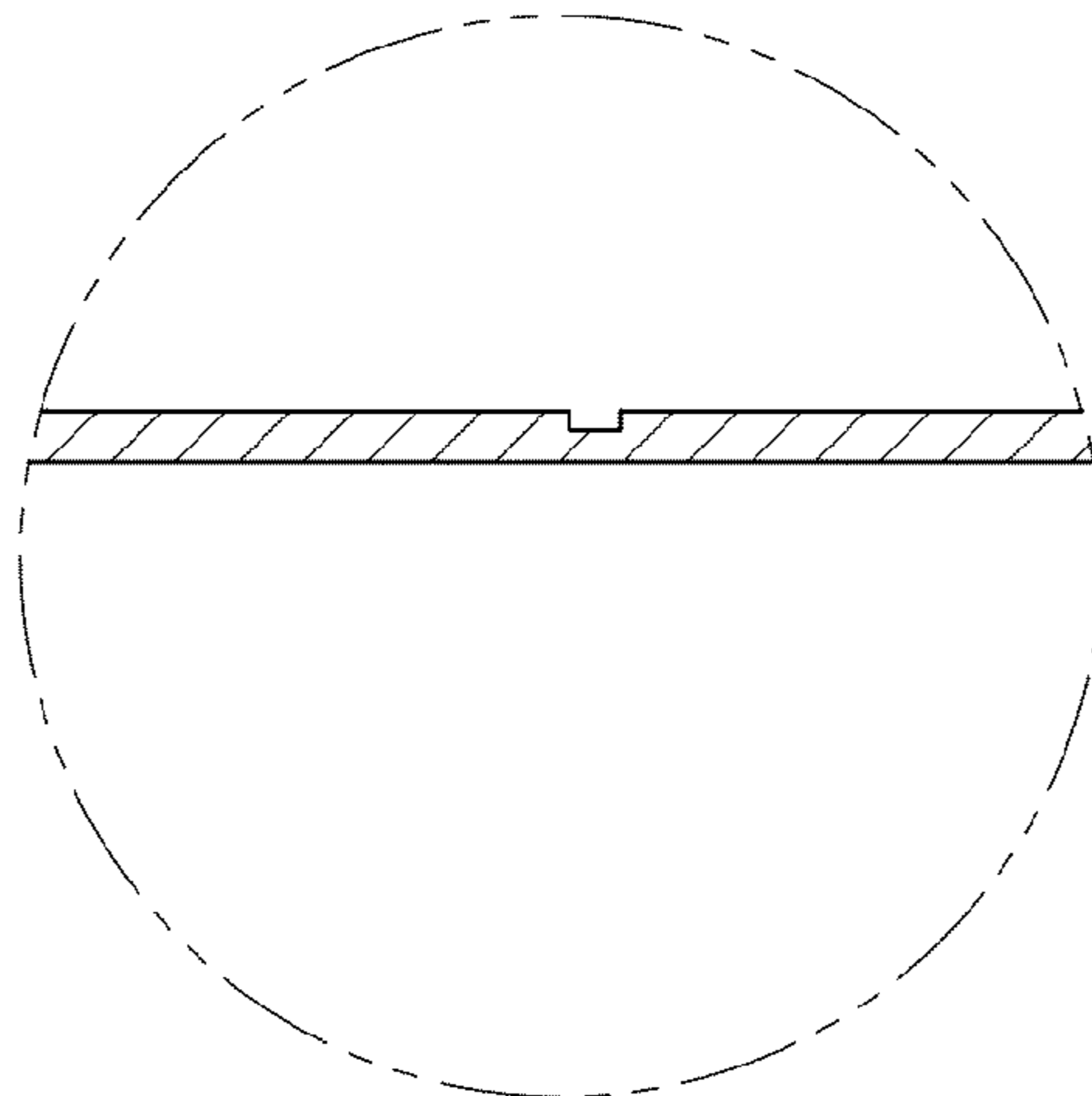


Fig. 21

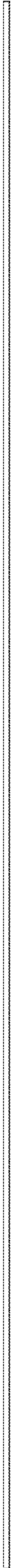


Fig. 22



Fig. 23

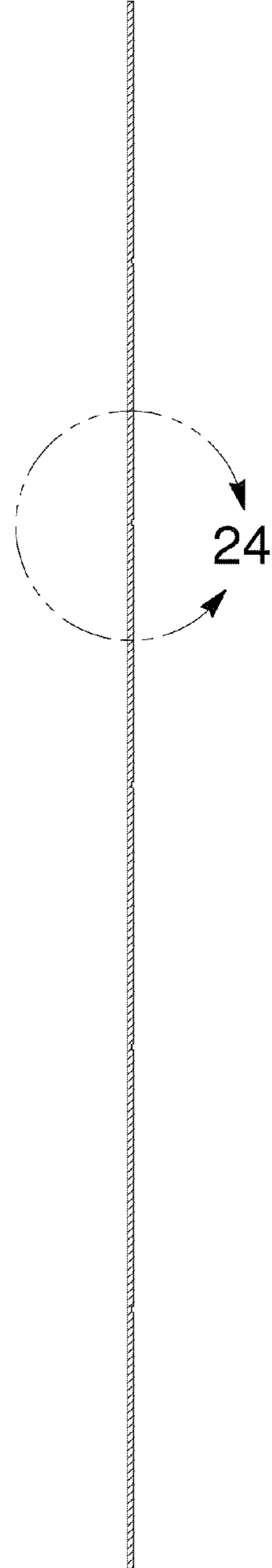


Fig. 24

