



US00D740961S

(12) **United States Design Patent**
Hart

(10) **Patent No.:** **US D740,961 S**
(45) **Date of Patent:** **** Oct. 13, 2015**

(54) **SKID MOUNTED PORTABLE WASHROOM FACILITY**

7,373,757 B2 * 5/2008 Hampel 52/79.1
D575,878 S * 8/2008 Bartlett D25/33
8,584,405 B2 * 11/2013 Broden 52/79.9

(71) Applicant: **HART OILFIELD RENTALS LTD.**,
Rocky Mountain House (CA)

* cited by examiner

(72) Inventor: **Gordon Hart**, Rocky Mountain House
(CA)

Primary Examiner — Robert Delehanty

(74) *Attorney, Agent, or Firm* — Sander R. Gelsing

(**) Term: **14 Years**

(57) **CLAIM**

The ornamental design for a skid mounted portable wash-
room facility, as shown and described.

(21) Appl. No.: **29/483,215**

DESCRIPTION

(22) Filed: **Feb. 26, 2014**

(51) **LOC (10) Cl.** **25-03**

(52) **U.S. Cl.**
USPC **D25/16**

(58) **Field of Classification Search**
USPC D25/1, 3-4, 32-336
CPC E04H 1/1216; A47K 11/02
See application file for complete search history.

FIG. 1 is a front perspective view of the embodiment of the skid mounted portable washroom facility, showing the walkway grates in a downward extended position;
FIG. 2 is a rear perspective view of the skid mounted portable washroom facility of the embodiment of FIG. 1;
FIG. 3 is a front view of the skid mounted portable washroom facility of the embodiment of FIG. 1;
FIG. 4 is a left side view of the skid mounted portable washroom facility of the embodiment of FIG. 1;
FIG. 5 is a rear view of the skid mounted portable washroom facility of the embodiment of FIG. 1;
FIG. 6 is a right side view of the skid mounted portable washroom facility of the embodiment of FIG. 1;
FIG. 7 is a top view of the skid mounted portable washroom facility of the embodiment of FIG. 1; and,
FIG. 8 is a bottom view of the skid mounted portable washroom facility of the embodiment of FIG. 1.

(56) **References Cited**

U.S. PATENT DOCUMENTS

3,517,468	A *	6/1970	John	D25/16
3,601,821	A *	8/1971	Corsiglia	D25/16
D262,997	S *	2/1982	Reynolds	D25/16
4,843,788	A *	7/1989	Gavin et al.	D25/33
D304,082	S *	10/1989	Harding	D25/16
6,115,971	A *	9/2000	Loebertmann et al.	52/79.1
7,021,010	B2 *	4/2006	Smith et al.	52/169.12
7,137,156	B2 *	11/2006	Yang	4/664

1 Claim, 4 Drawing Sheets

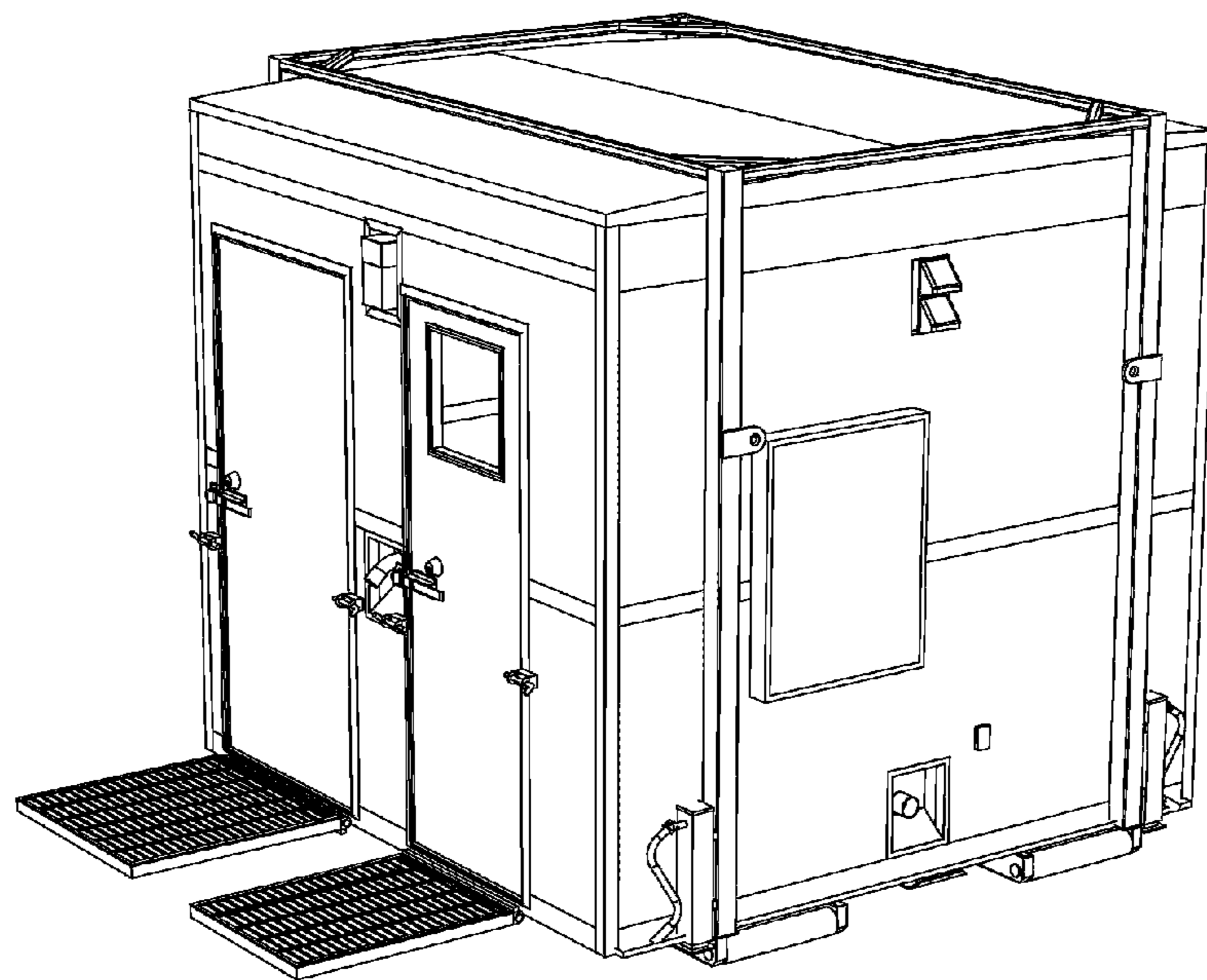


Figure 1

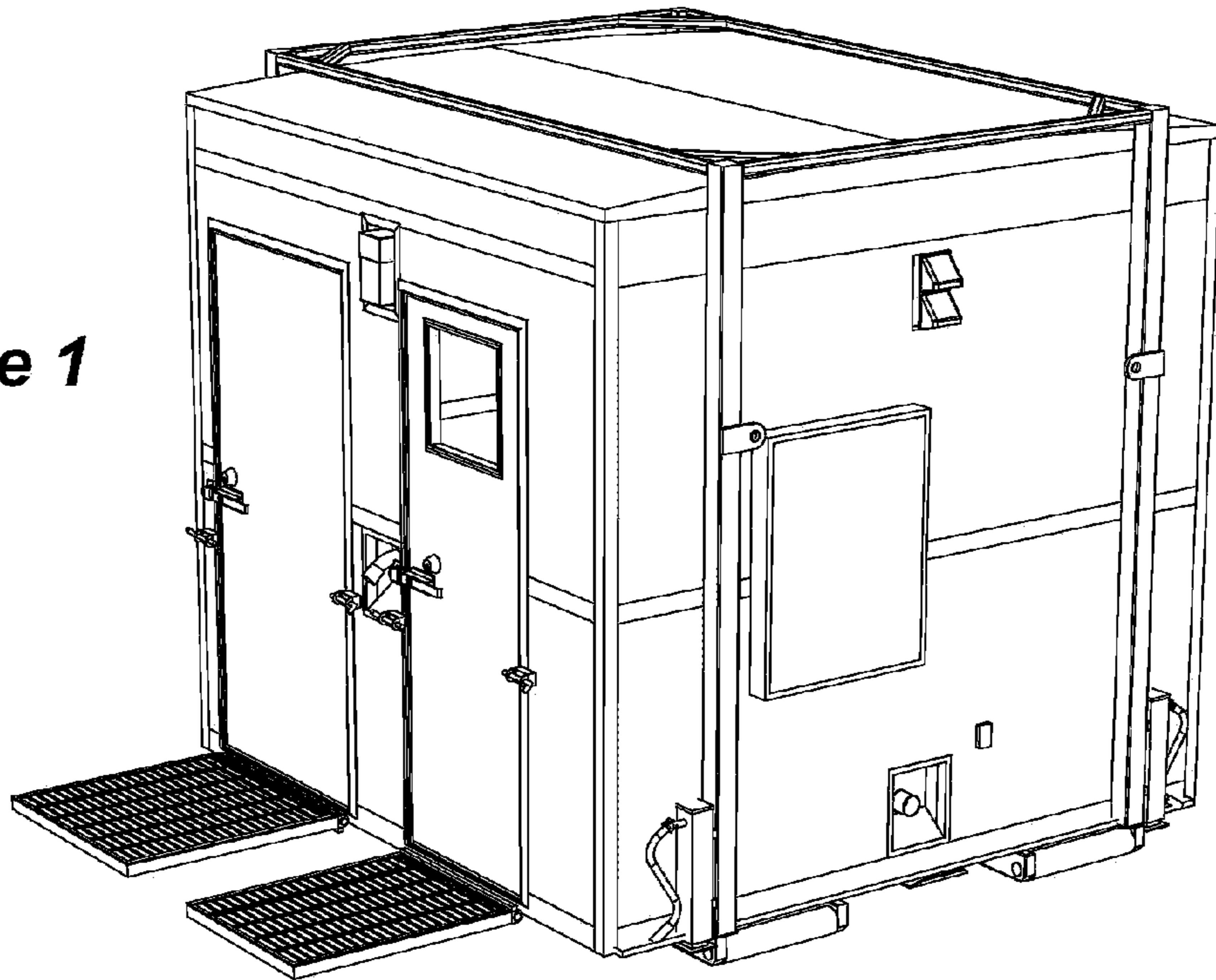


Figure 2

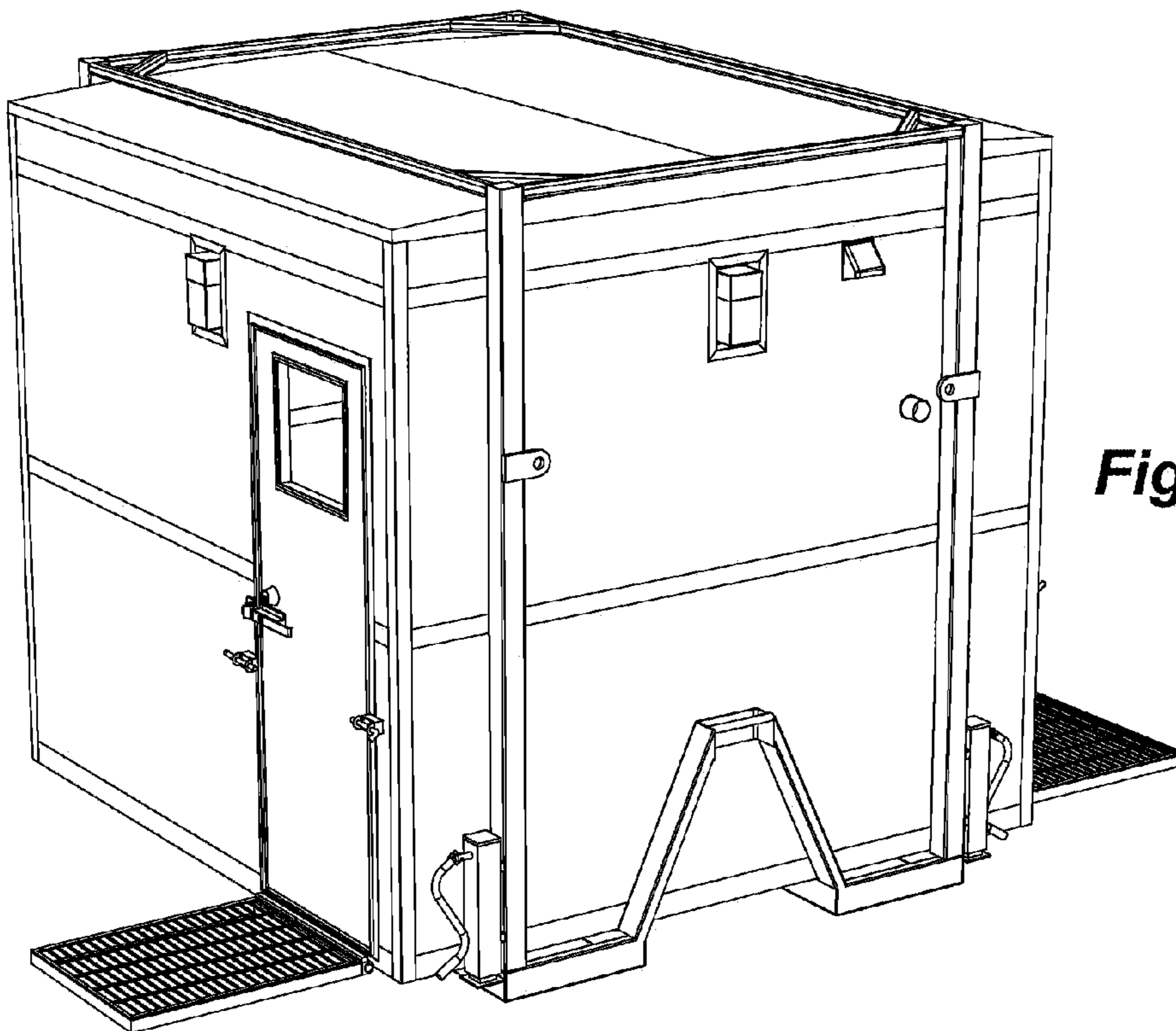


Figure 3

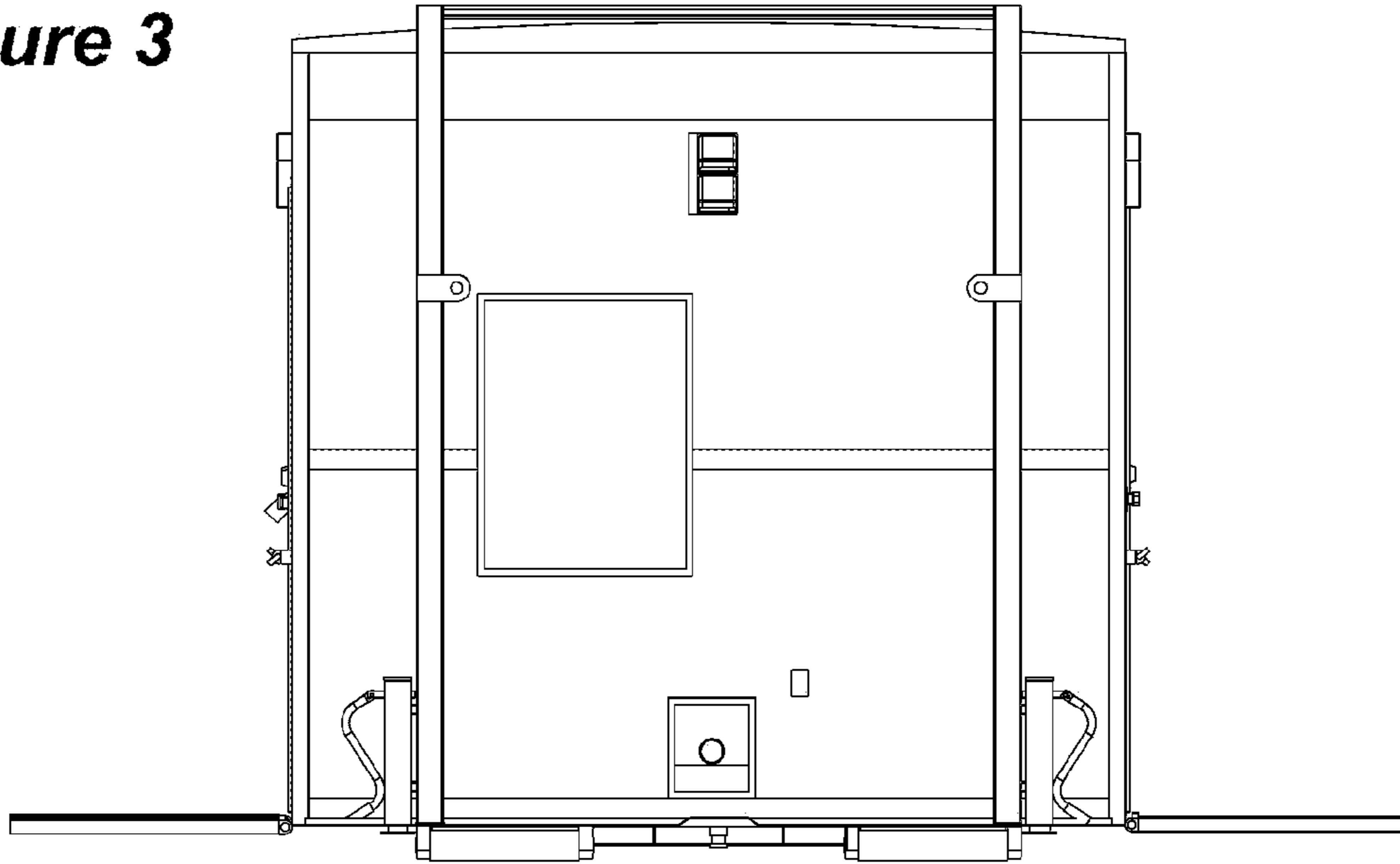


Figure 4

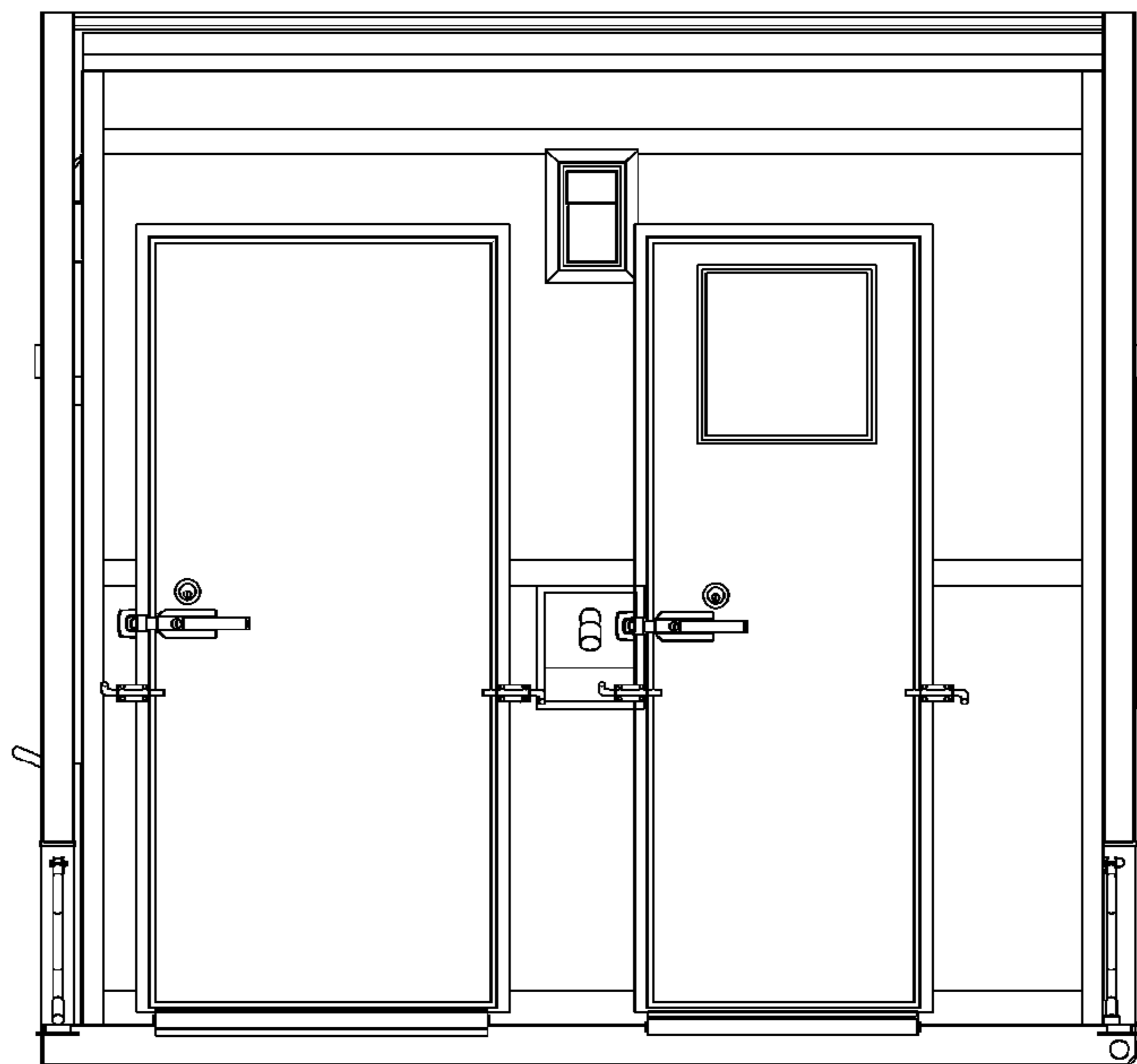


Figure 5

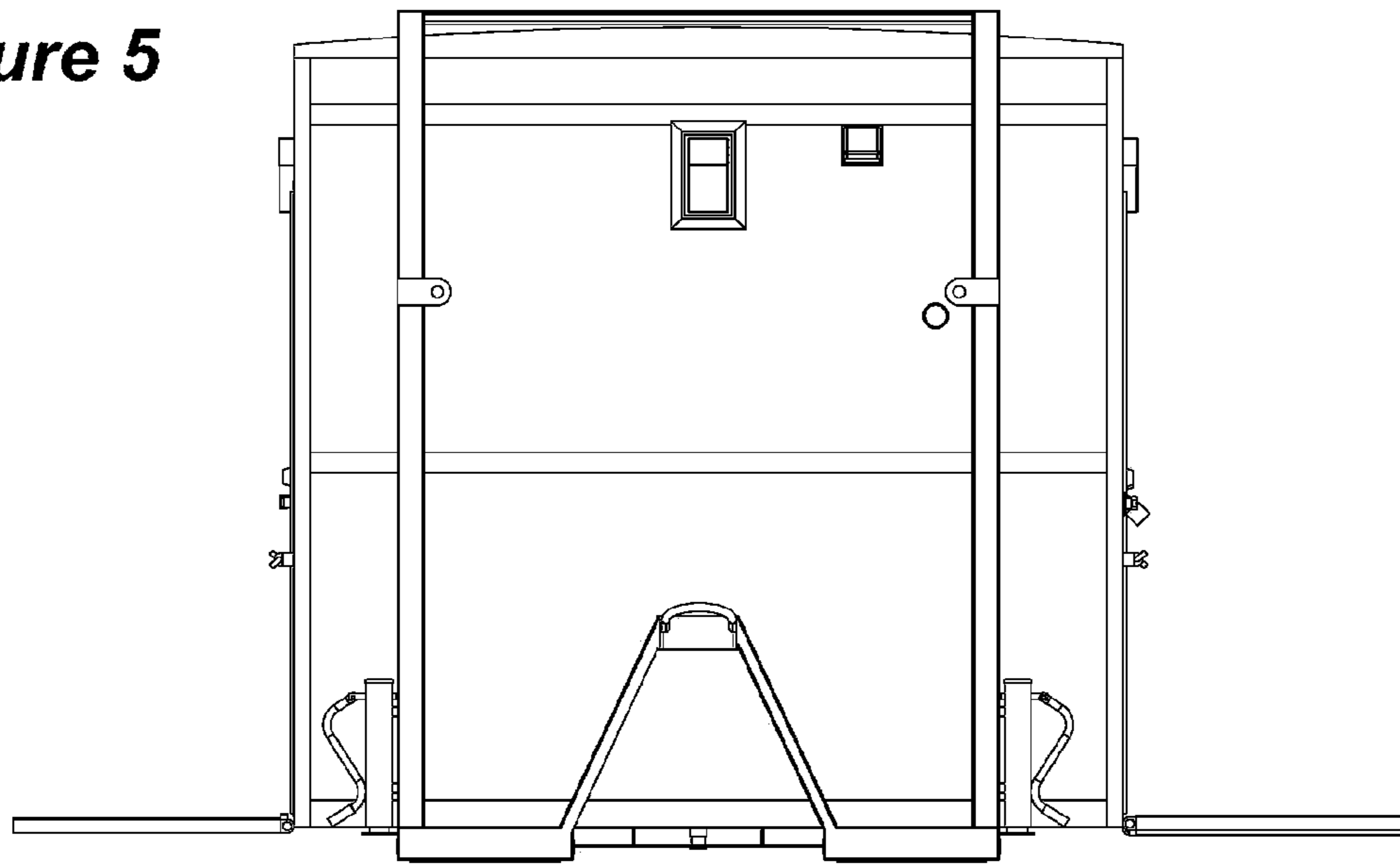


Figure 6

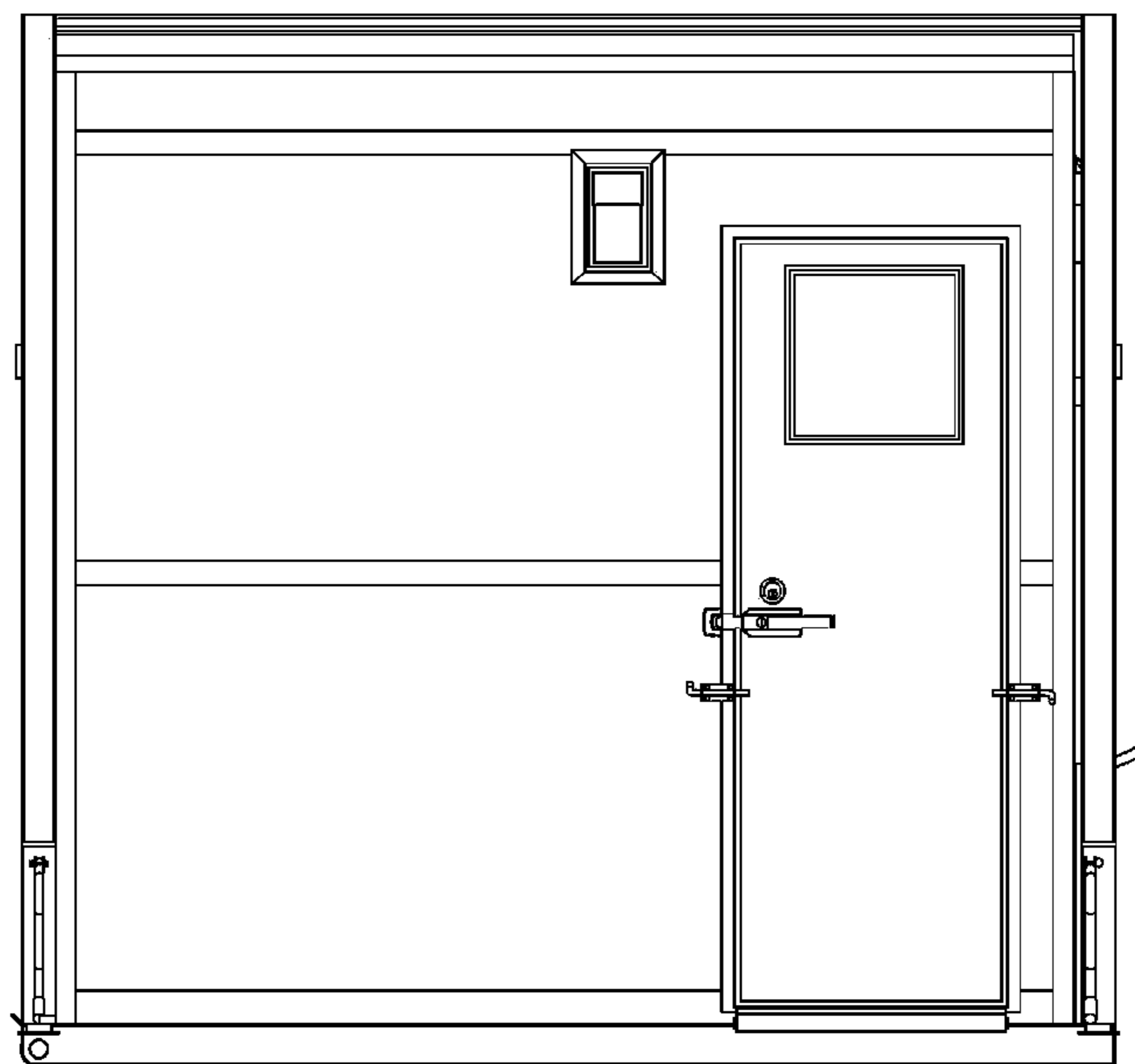


Figure 7

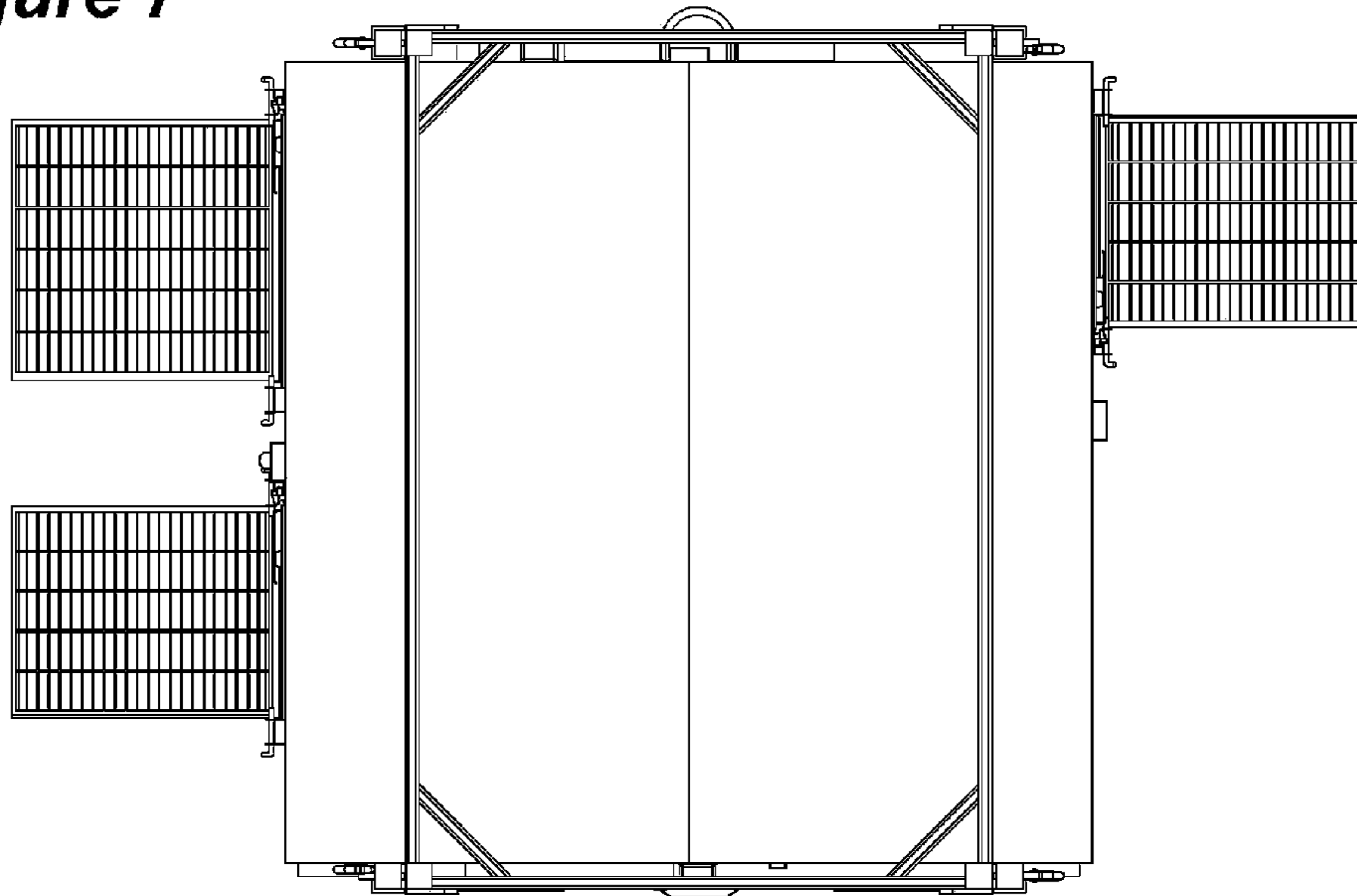


Figure 8

