



US00D740958S

(12) **United States Design Patent**  
**Ellingboe et al.**

(10) **Patent No.:** **US D740,958 S**

(45) **Date of Patent:** **\*\* Oct. 13, 2015**

(54) **CENTRIFUGE COUNTER BALANCE BAG**

(71) Applicant: **Terumo BCT, Inc.**, Lakewoods, CO (US)

(72) Inventors: **Bruce Ellingboe**, Littleton, CO (US);  
**Richard Alan Edrich**, Denver, CO (US);  
**Jaime Estrada**, Denver, CO (US);  
**Thomas Pearce**, Littleton, CO (US)

(73) Assignee: **Terumo BCT, Inc.**, Lakewood, CO (US)

(\*\*) Term: **14 Years**

(21) Appl. No.: **29/504,926**

(22) Filed: **Oct. 10, 2014**

(51) **LOC (10) Cl.** ..... **24-01**

(52) **U.S. Cl.**  
USPC ..... **D24/219**

(58) **Field of Classification Search**  
USPC ..... D24/216, 219, 186, 231, 232, 224, 227,  
D24/121, 129, 118; D10/81; 422/72, 538,  
422/548, 551, 555; 494/20, 21, 45, 60;  
210/787

See application file for complete search history.

(56) **References Cited**

**U.S. PATENT DOCUMENTS**

3,987,961	A	*	10/1976	Sinn et al.	.....	494/45
D312,128	S	*	11/1990	Headley	.....	D24/219
D341,157	S	*	11/1993	Kitahara et al.	.....	D24/118
D351,228	S	*	10/1994	Weiler et al.	.....	D24/118
D374,616	S	*	10/1996	Smith	.....	D24/224
D375,160	S	*	10/1996	Sampson et al.	.....	D24/129
5,632,906	A	*	5/1997	Ishida et al.	.....	210/787
6,019,716	A	*	2/2000	Forestell et al.	.....	494/21

D435,291	S	*	12/2000	Asfora	.....	D24/129
D435,653	S	*	12/2000	Niedospial et al.	.....	D24/129
D483,869	S	*	12/2003	Tran et al.	.....	D24/129
7,094,197	B2		8/2006	Hlavinka et al.		
D577,443	S	*	9/2008	Parmer et al.	.....	D24/224
7,674,221	B2		3/2010	Hudock et al.		
7,819,793	B2		10/2010	Lindell et al.		
D640,372	S	*	6/2011	Grant et al.	.....	D24/129
8,136,779	B2	*	3/2012	Wilson et al.	.....	222/105
D662,202	S	*	6/2012	O'Donnell et al.	.....	D24/118
D699,343	S	*	2/2014	Clements et al.	.....	D24/118
D712,536	S	*	9/2014	Kuhlow	.....	D24/118
2011/0294641	A1		12/2011	Dolecek et al.		

**OTHER PUBLICATIONS**

Design U.S. Appl. No. 29/480,203, filed Jan. 24, 2014.  
Design U.S. Appl. No. 29/480,206, filed Jan. 24, 2014.

\* cited by examiner

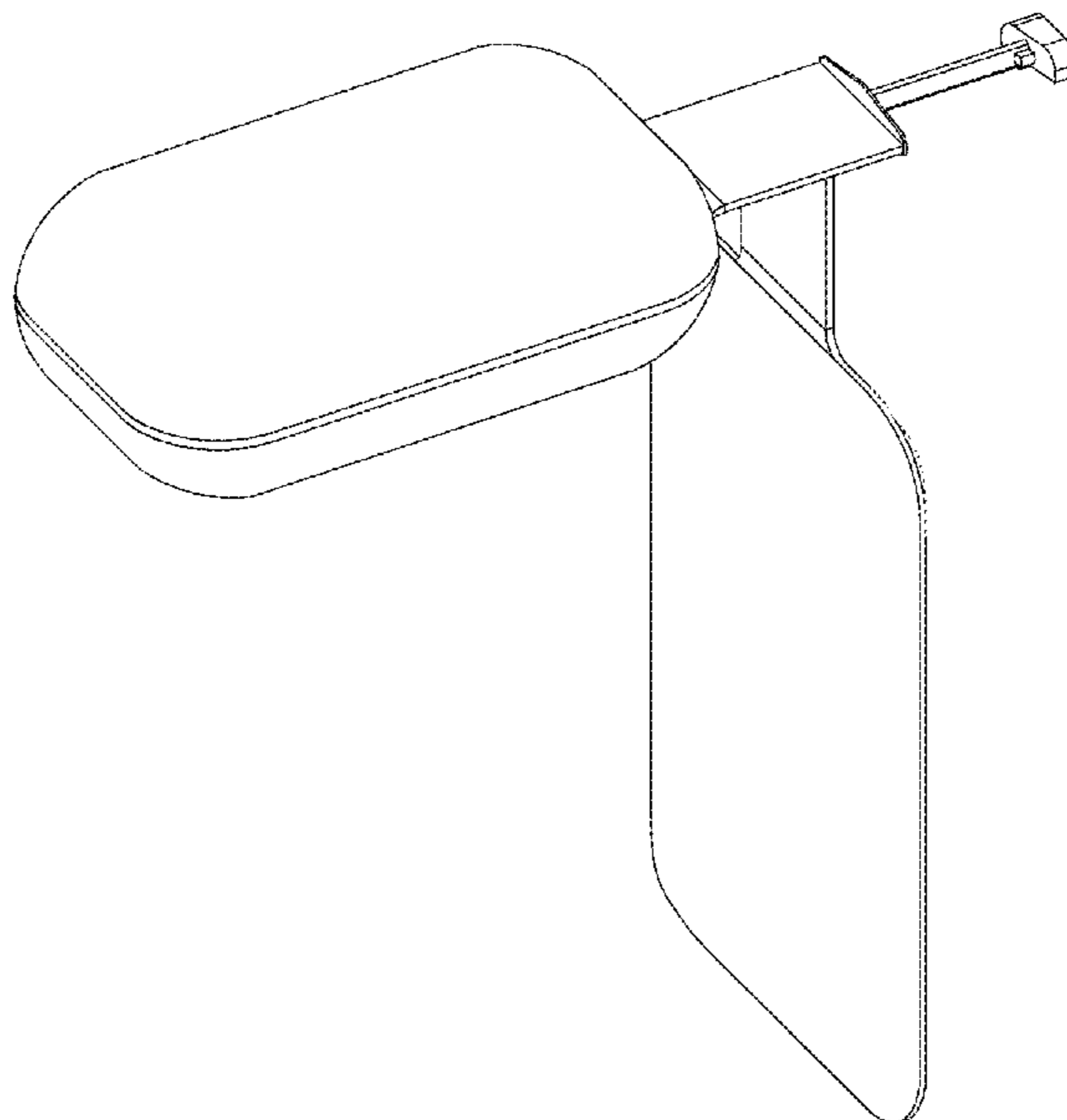
*Primary Examiner* — Anhdao Doan  
(74) *Attorney, Agent, or Firm* — René A. Pereyra

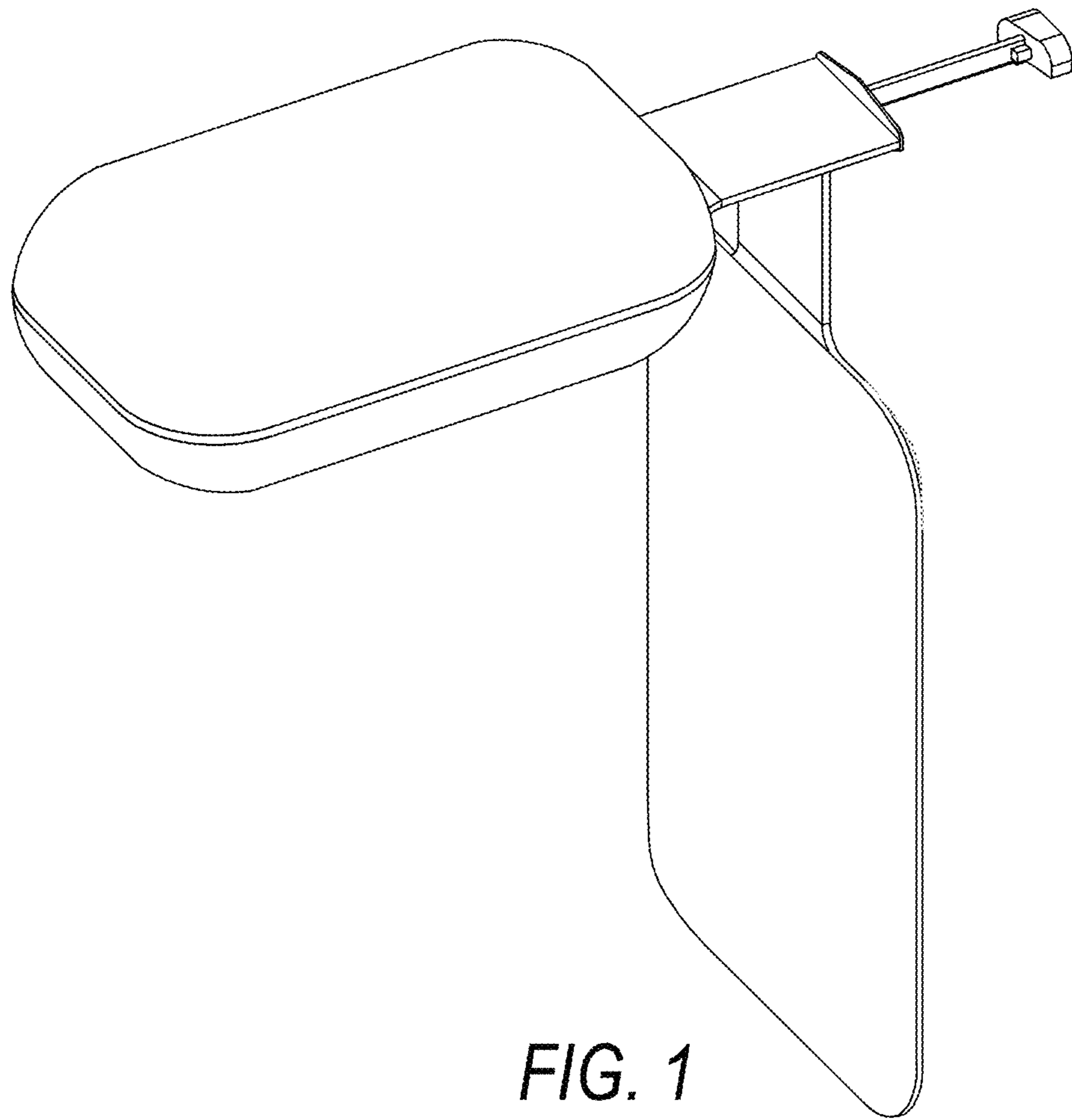
(57) **CLAIM**  
The ornamental design for a centrifuge counter balance device, as shown and described.

**DESCRIPTION**

FIG. 1 is a perspective view of the centrifuge counter balance device showing the new design;  
FIG. 2 is a front elevational view thereof;  
FIG. 3 is a back elevational view thereof;  
FIG. 4 is a top plan view thereof;  
FIG. 5 is a bottom plan view thereof;  
FIG. 6 is a side elevational view thereof; and,  
FIG. 7 is another side elevational view thereof.

**1 Claim, 7 Drawing Sheets**





*FIG. 1*

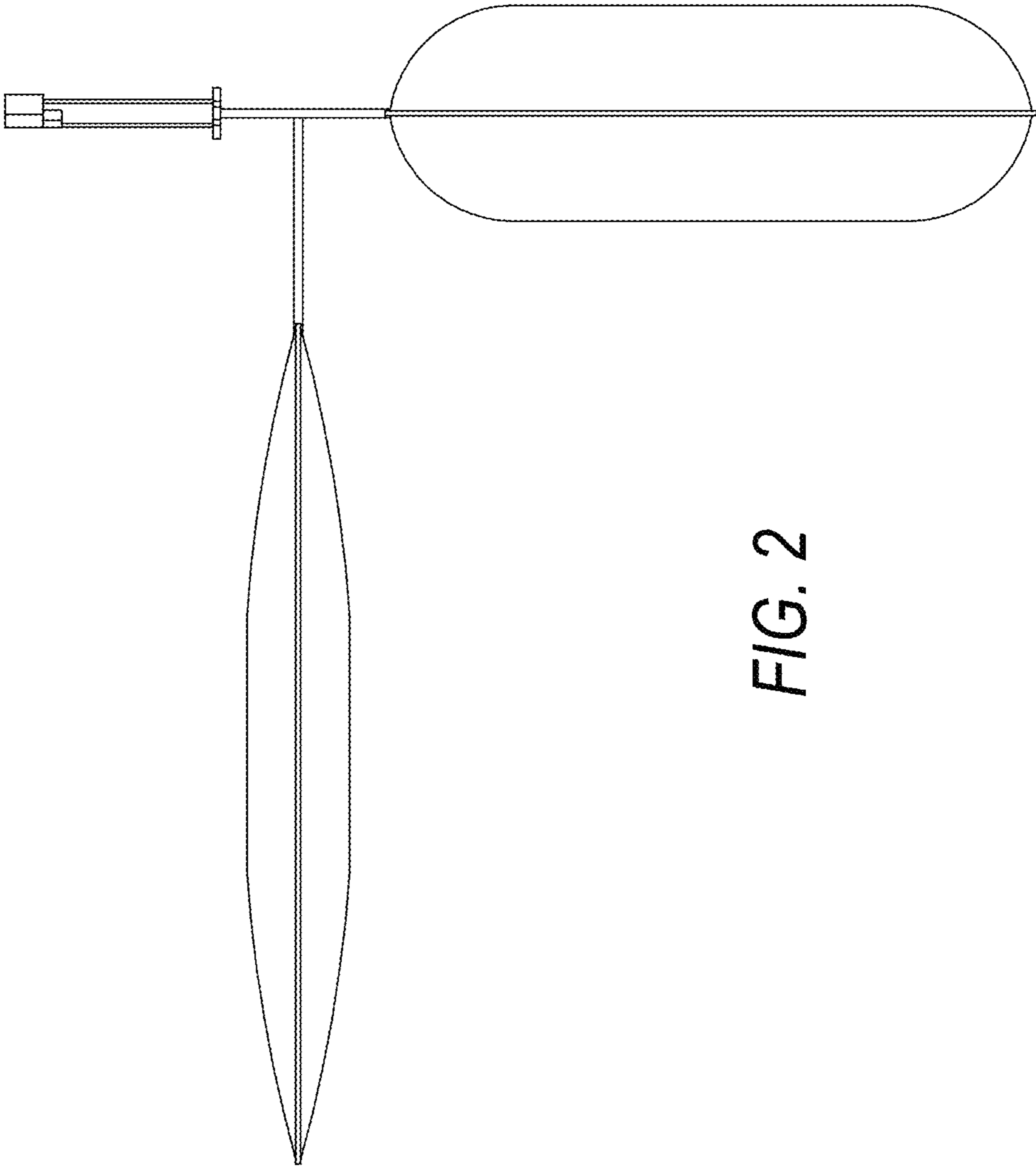


FIG. 2

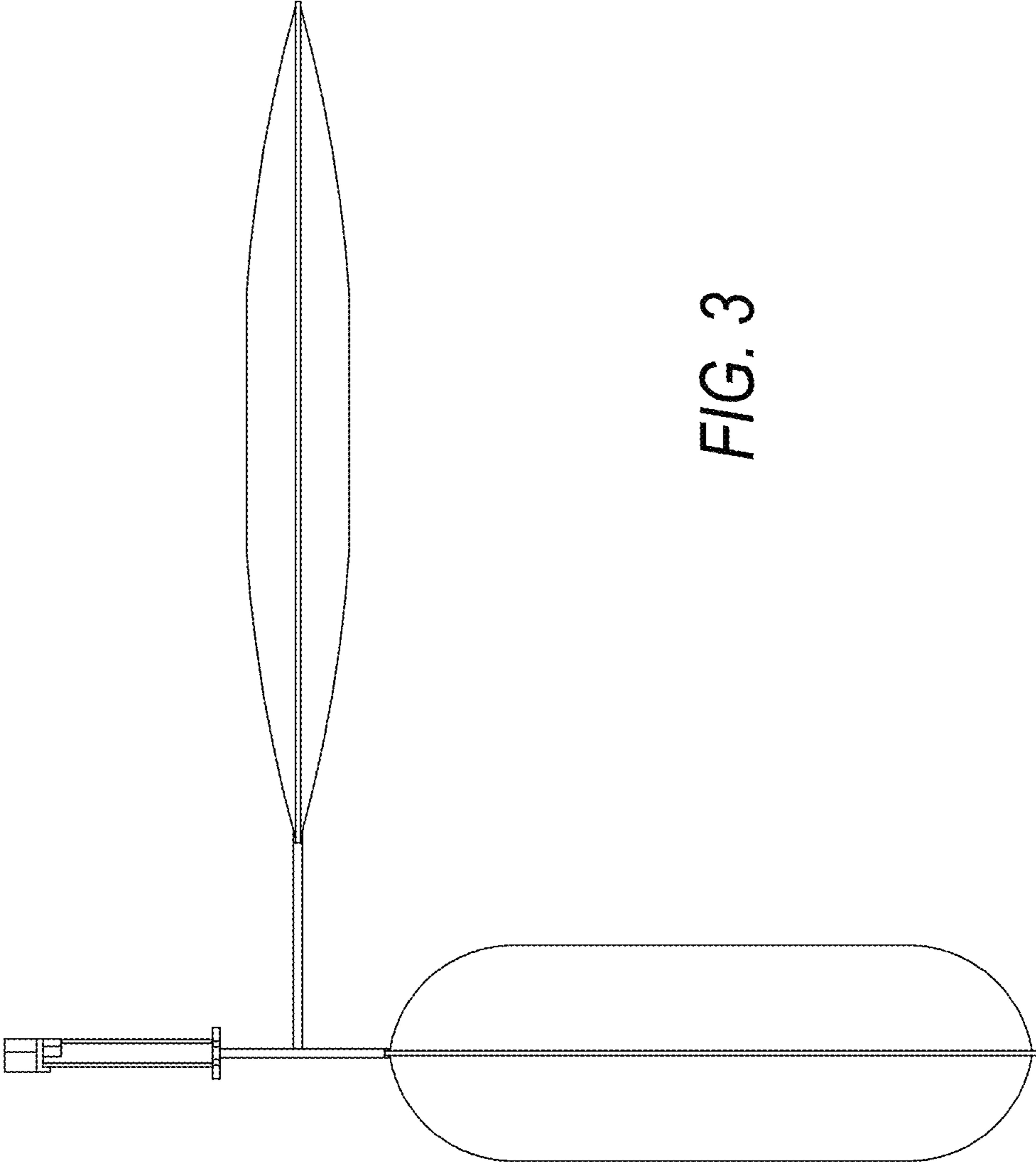
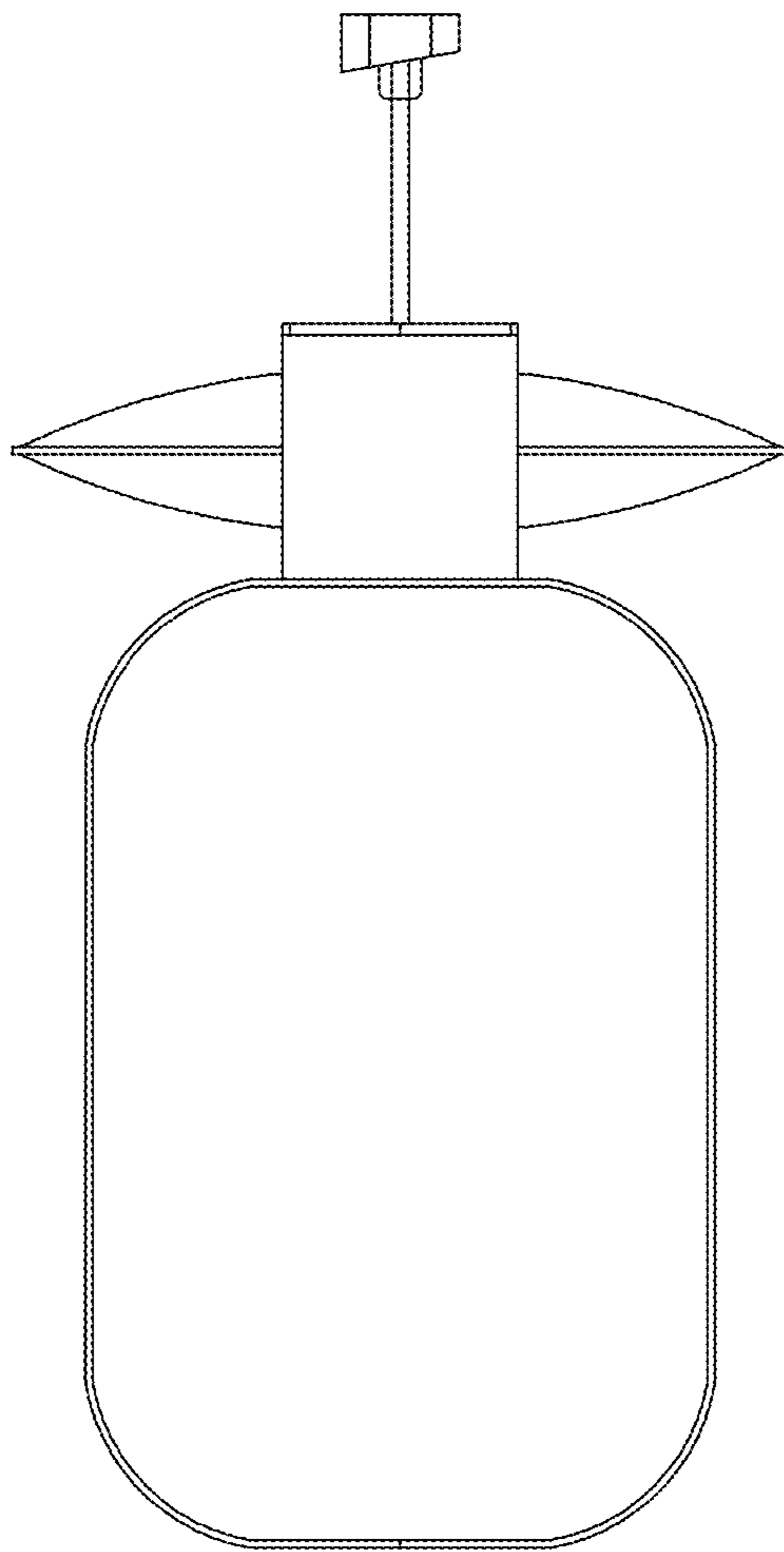
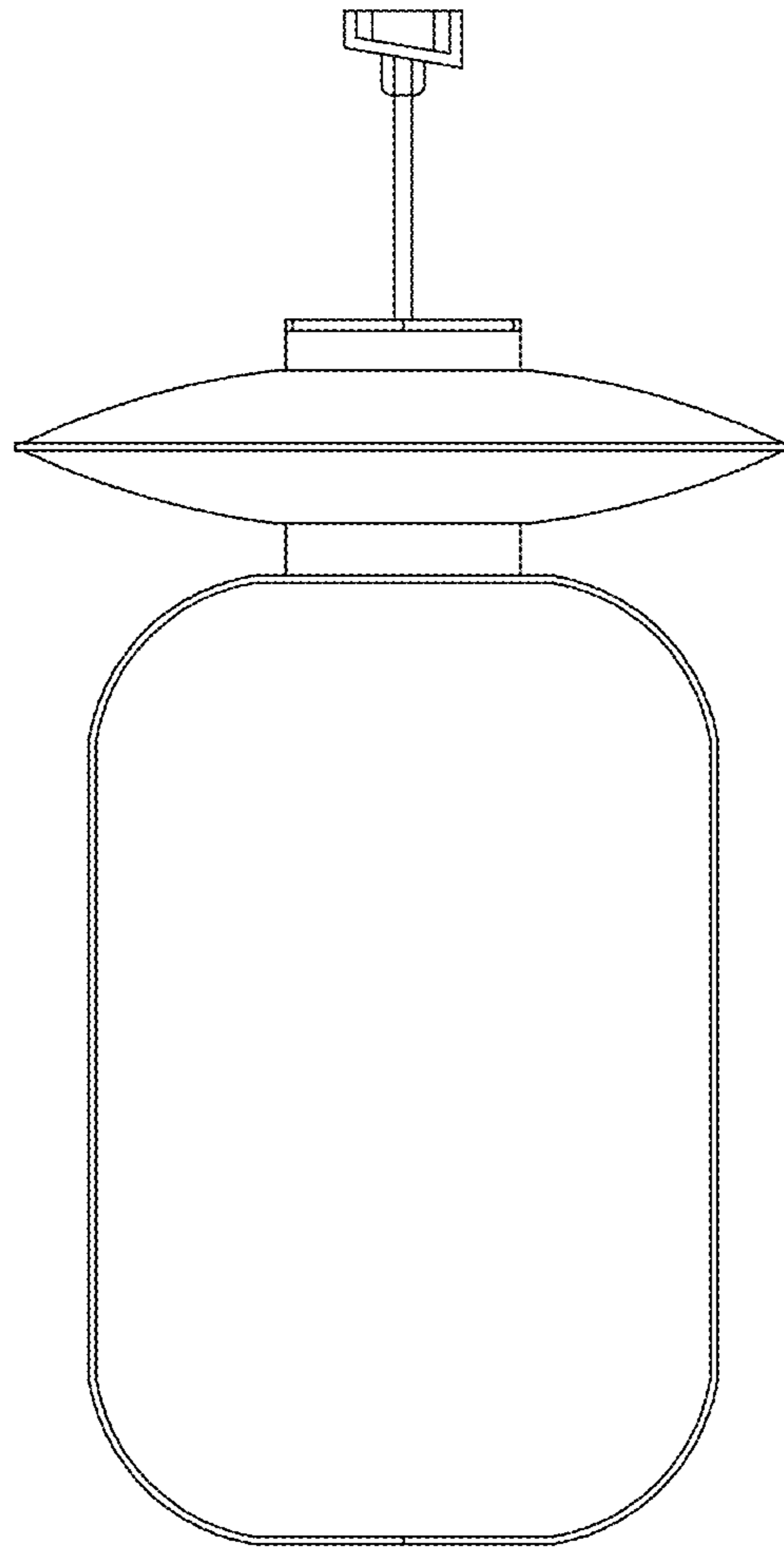


FIG. 3



*FIG. 4*



*FIG.5*

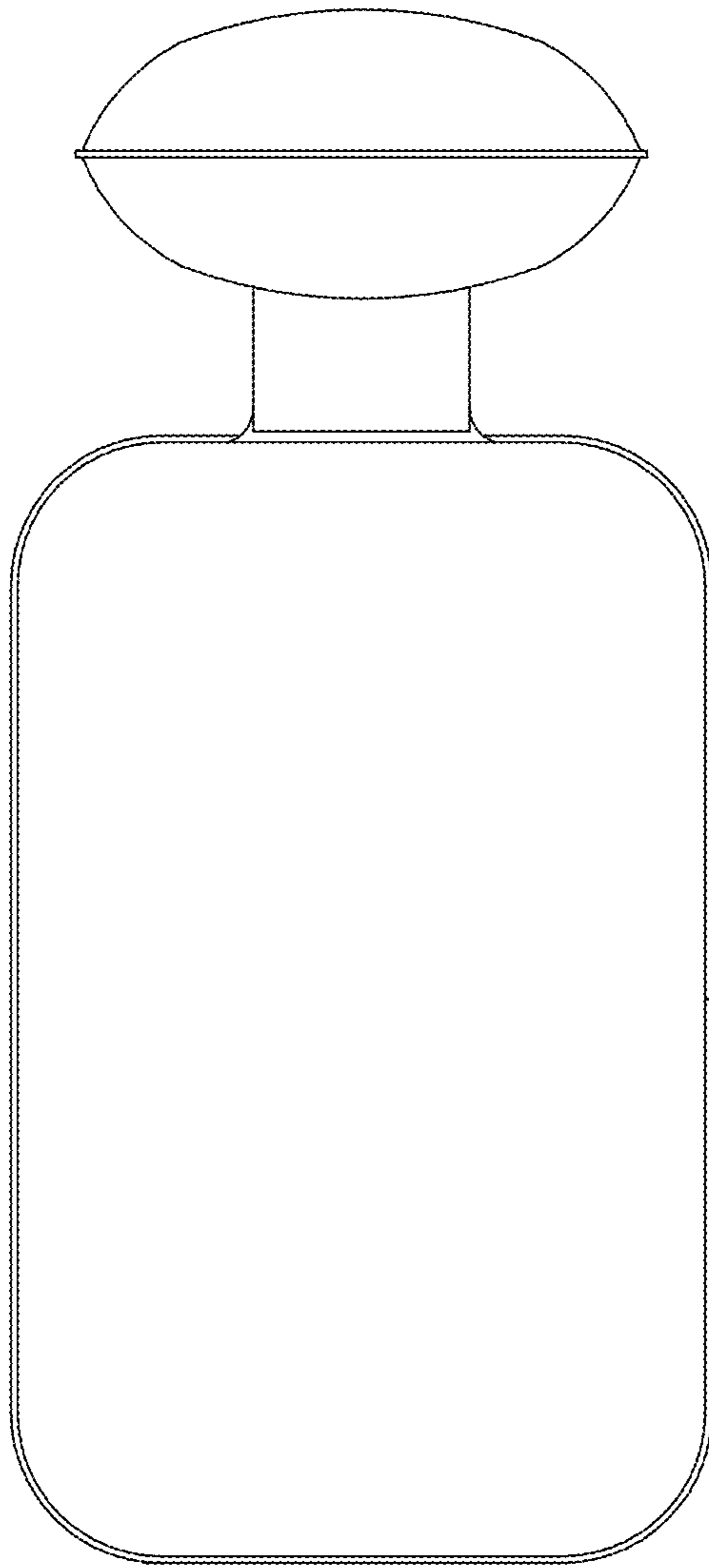


FIG. 6

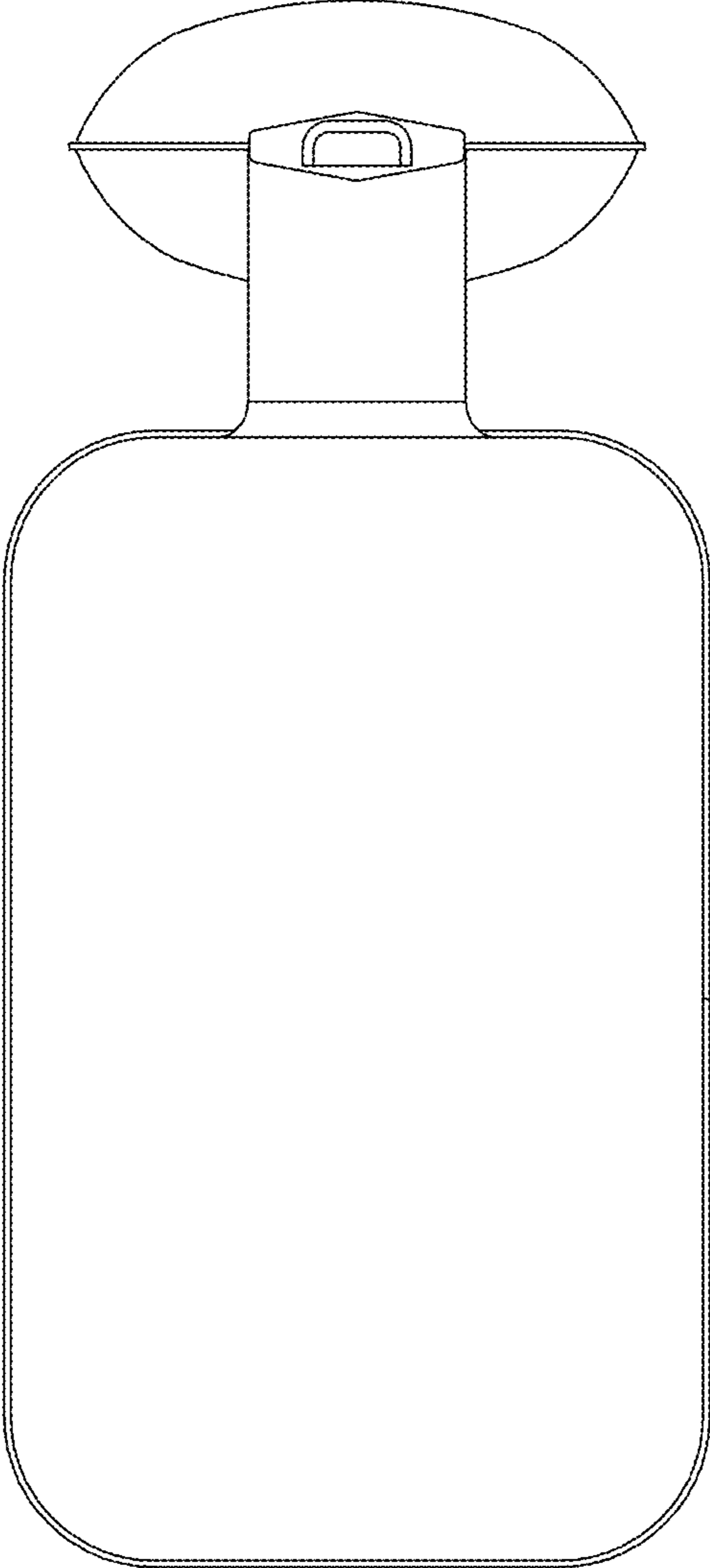


FIG. 7