



US00D740957S

(12) **United States Design Patent**
Oonuma et al.

(10) **Patent No.:** **US D740,957 S**

(45) **Date of Patent:** **** Oct. 13, 2015**

(54) **COVER FOR CLINICAL ANALYZER**

(56) **References Cited**

(71) Applicant: **Hitachi High-Technologies Corporation**, Minato-ku, Tokyo (JP)

U.S. PATENT DOCUMENTS

(72) Inventors: **Mitsuru Oonuma**, Tokyo (JP); **Hiroyuki Noda**, Tokyo (JP); **Katsuhiko Kambara**, Tokyo (JP); **Hiroaki Sakai**, Tokyo (JP)

D623,211 S *	9/2010	Oonuma et al.	D16/131
D676,143 S *	2/2013	Liu et al.	D24/216
D681,227 S *	4/2013	Oonuma et al.	D24/216
D720,079 S *	12/2014	Oonuma et al.	D24/216
D727,528 S *	4/2015	Oonuma et al.	D24/216

* cited by examiner

(73) Assignee: **Hitachi High-Technologies Corporation**, Tokyo (JP)

Primary Examiner — Anhdao Doan

(**) Term: **14 Years**

(74) *Attorney, Agent, or Firm* — Crowell & Moring LLP

(21) Appl. No.: **29/516,041**

(57) **CLAIM**

We claim the ornamental design for a cover for clinical analyzer, as shown.

(22) Filed: **Jan. 29, 2015**

(30) **Foreign Application Priority Data**

DESCRIPTION

Sep. 26, 2014 (JP) 2014-021288

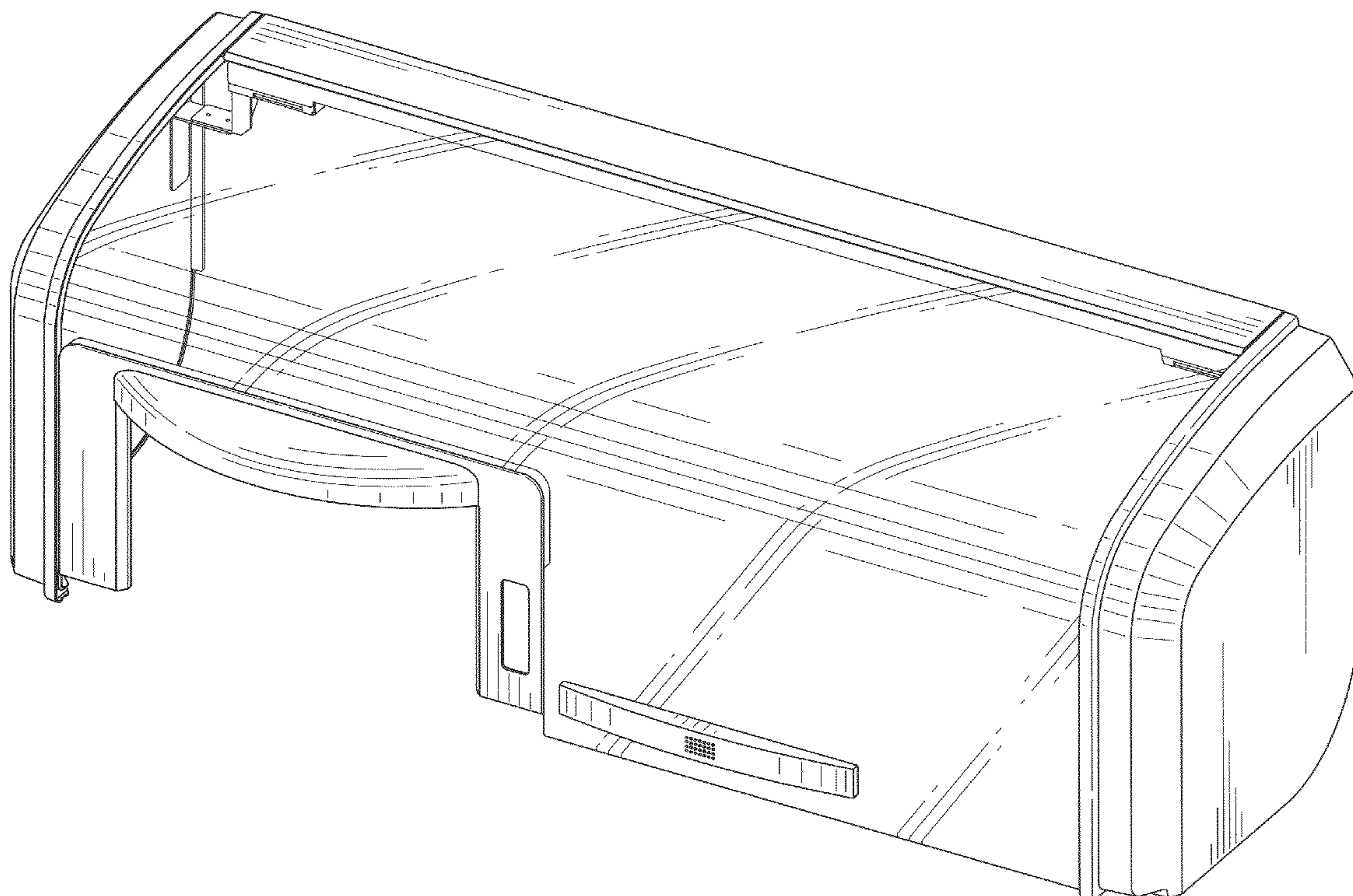
(51) **LOC (10) Cl.** **24-01**

(52) **U.S. Cl.**
USPC **D24/216**

(58) **Field of Classification Search**
USPC D24/216, 223–225, 231, 232, 186, 107;
D10/81; 436/43, 45, 47; 422/500, 547,
422/62–65, 67; 435/287.1, 287.3
CPC G01N 1/28; G01N 33/50; G01N 35/025
See application file for complete search history.

FIG. 1 is a front, top and right side perspective view of a cover for clinical analyzer showing our new design; FIG. 2 is a front elevational view thereof; FIG. 3 is a rear elevational view thereof; FIG. 4 is a left side elevational view thereof; FIG. 5 is a right side elevational view thereof; FIG. 6 is a top plan view thereof; and, FIG. 7 is a bottom plan view thereof.

1 Claim, 6 Drawing Sheets



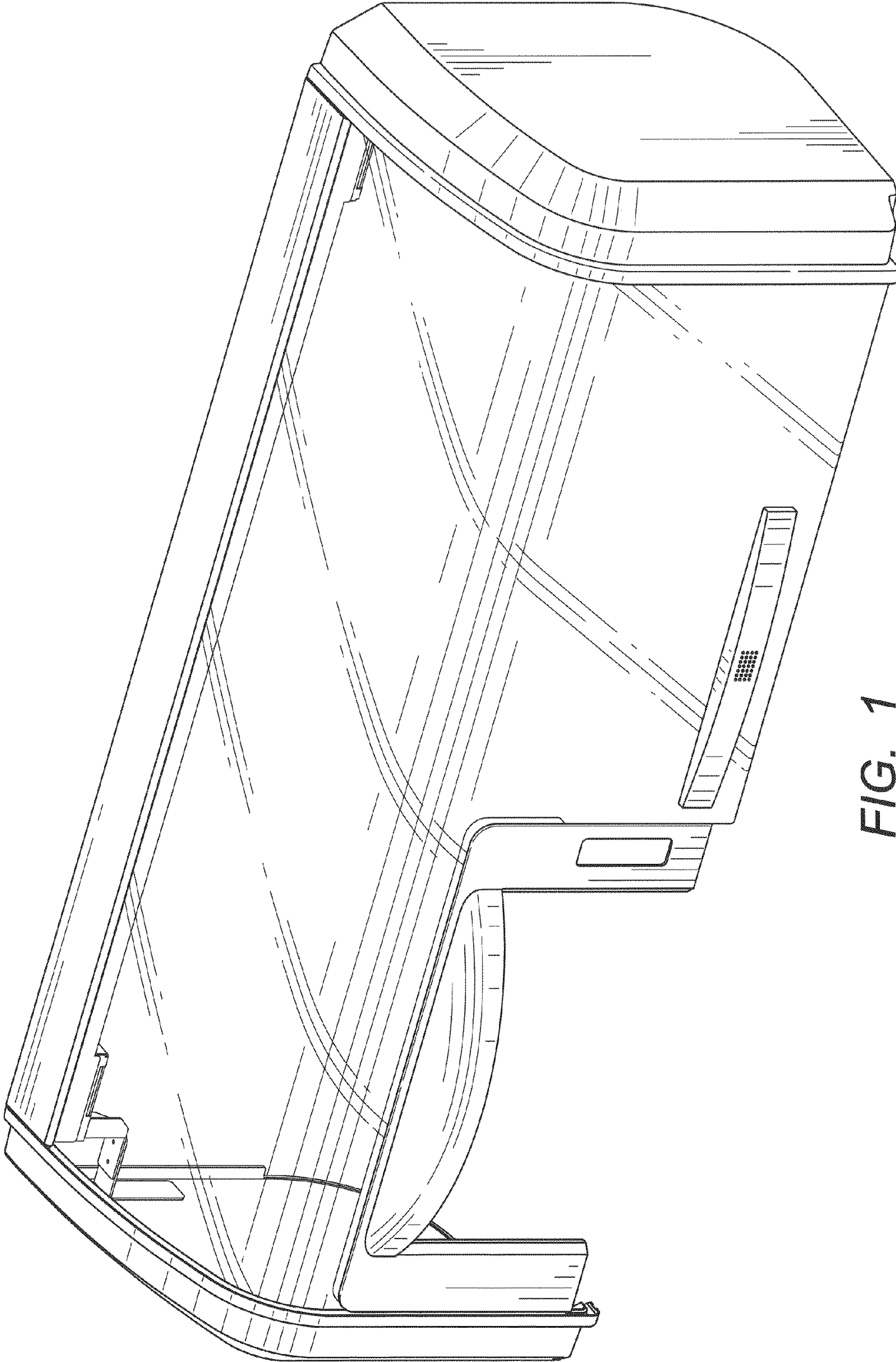


FIG. 1

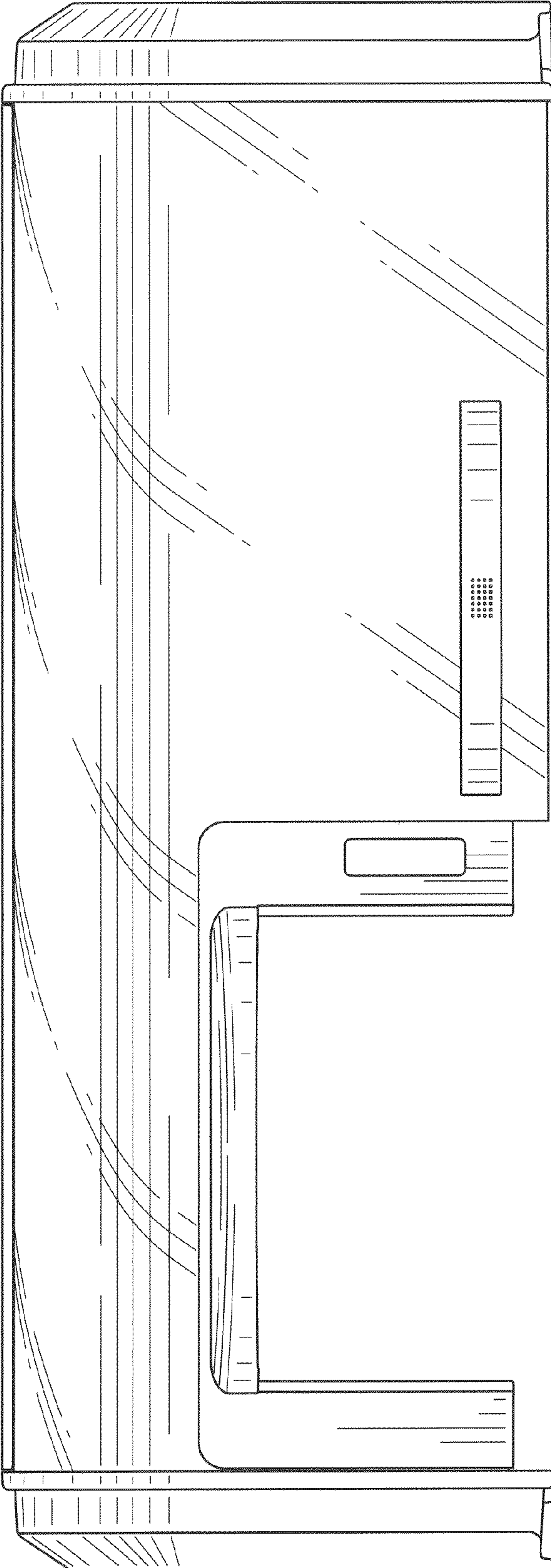


FIG. 2

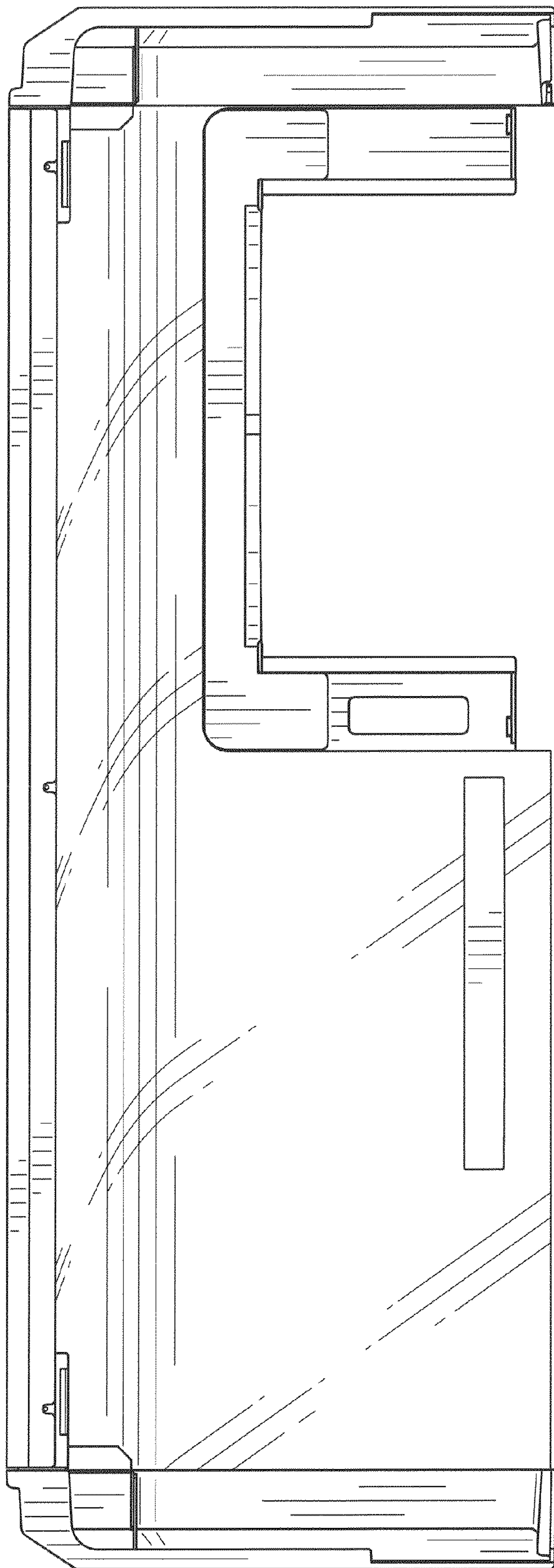


FIG. 3

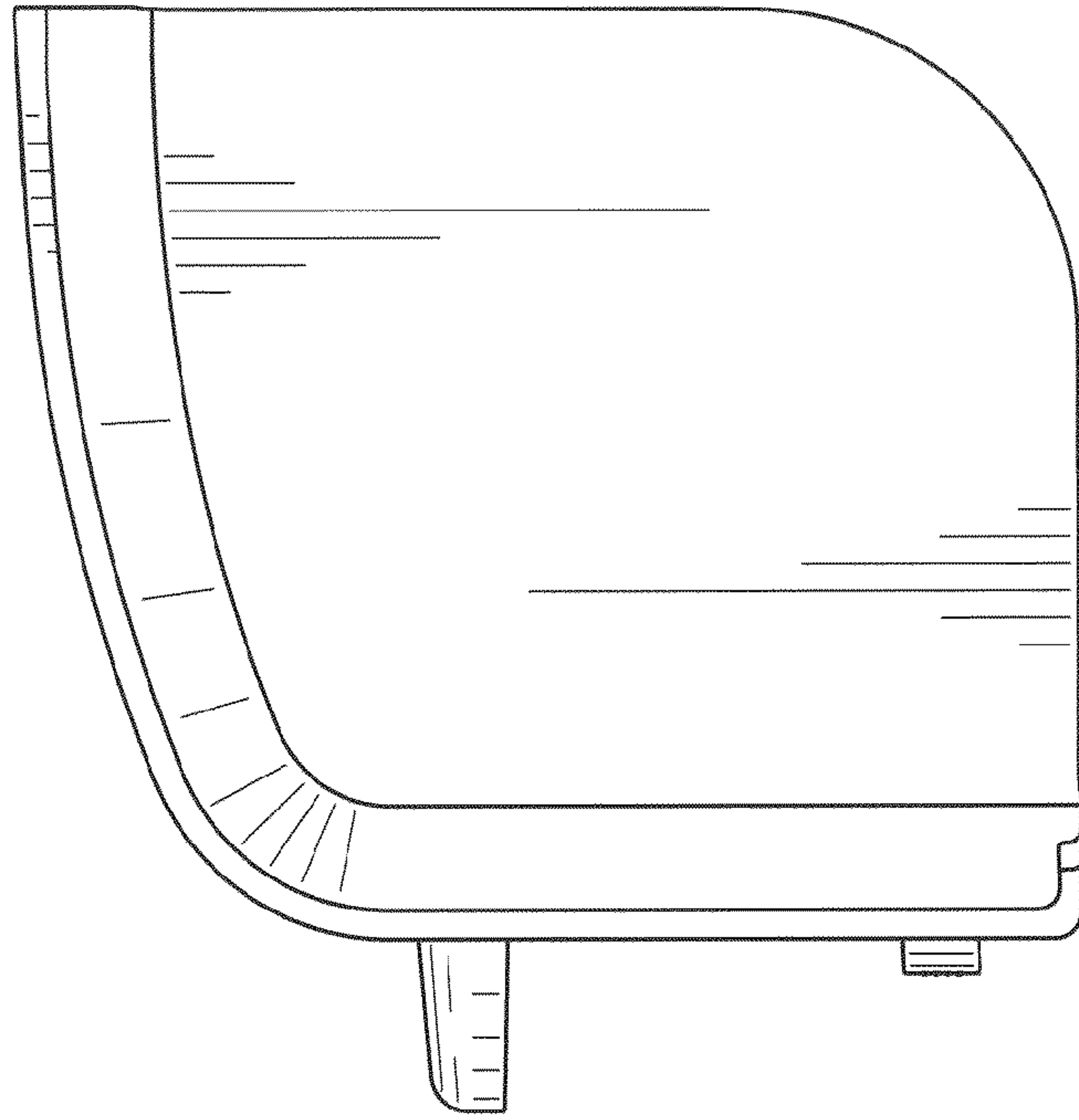


FIG. 5

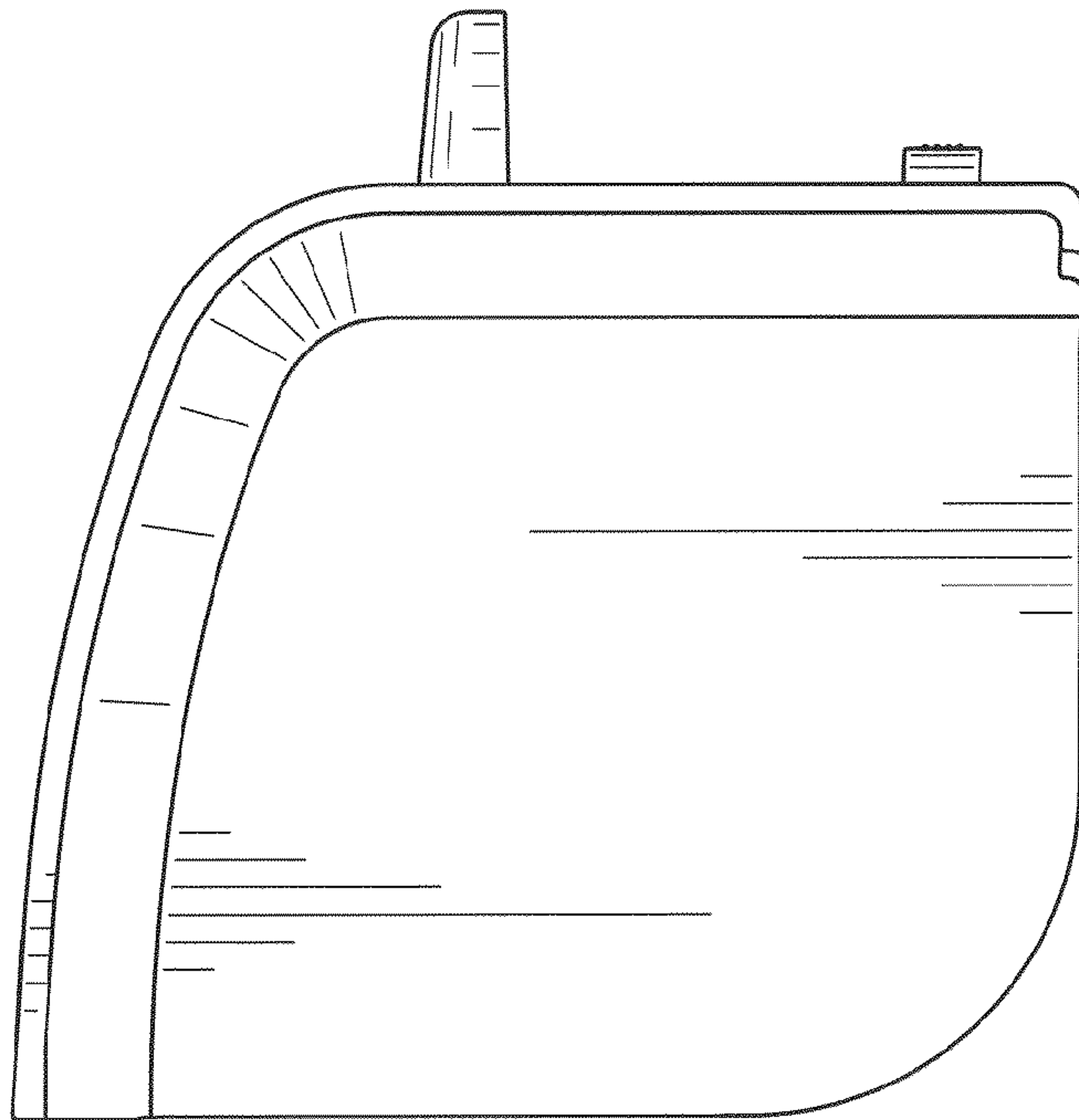


FIG. 4

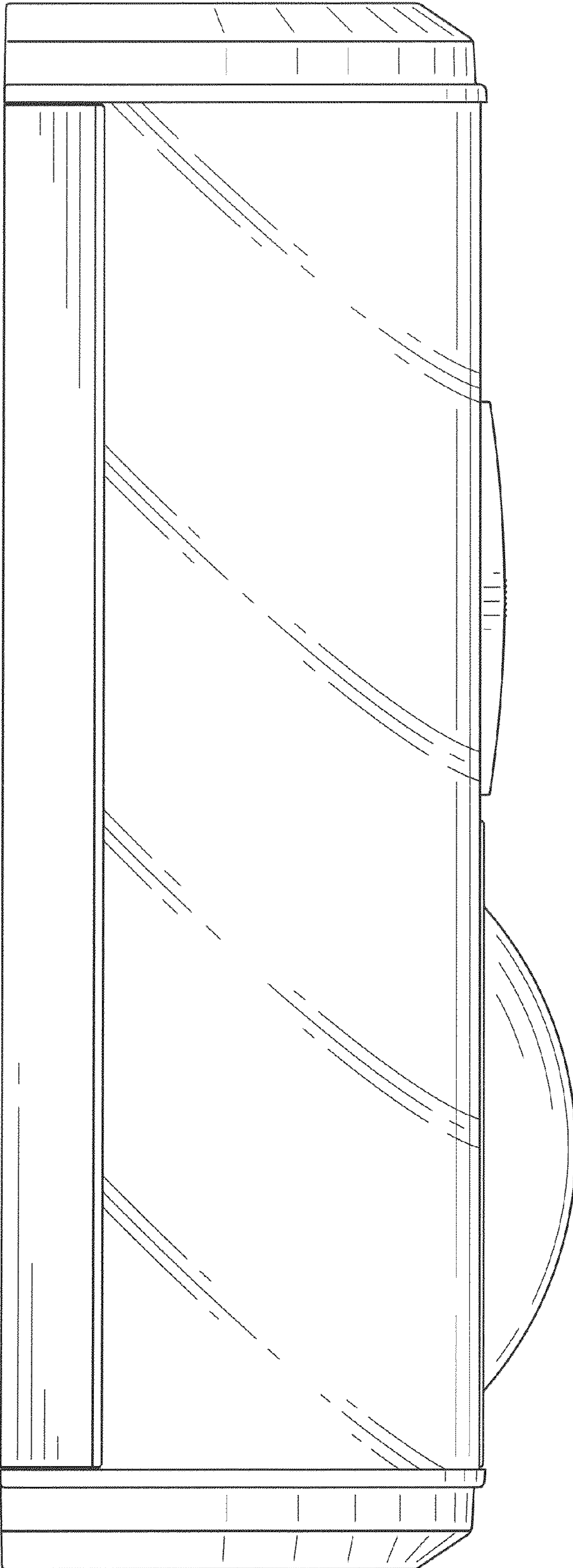


FIG. 6

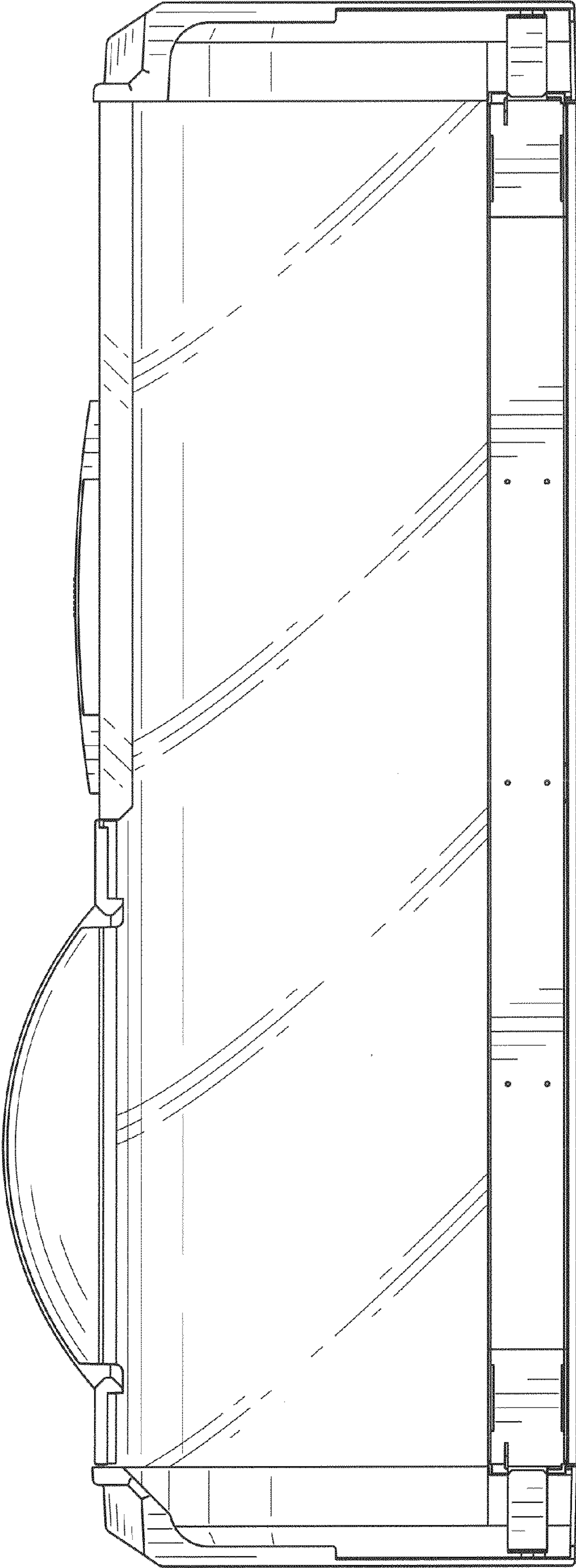


FIG. 7