



US00D740956S

(12) **United States Design Patent**
Oonuma et al.

(10) **Patent No.:** **US D740,956 S**

(45) **Date of Patent:** **** Oct. 13, 2015**

(54) **CLINICAL ANALYZER**

(71) Applicant: **Hitachi High-Technologies Corporation**, Minato-ku, Tokyo (JP)

(72) Inventors: **Mitsuru Oonuma**, Tokyo (JP); **Hiroyuki Noda**, Tokyo (JP); **Katsuhiko Kambara**, Tokyo (JP); **Hiroaki Sakai**, Tokyo (JP)

(73) Assignee: **Hitachi High-Technologies Corporation**, Tokyo (JP)

(**) Term: **14 Years**

(21) Appl. No.: **29/516,037**

(22) Filed: **Jan. 29, 2015**

(30) **Foreign Application Priority Data**

Sep. 26, 2014 (JP) 2014-021286

(51) **LOC (10) Cl.** **24-01**

(52) **U.S. Cl.**
USPC **D24/216; D24/232**

(58) **Field of Classification Search**

USPC D24/216, 223-225, 231, 232, 186, 107;
D10/81; 436/43, 45, 47; 422/500, 547,
422/62-65, 67; 435/287.1, 287.3
CPC G01N 1/28; G01N 33/50; G01N 35/025
See application file for complete search history.

(56) **References Cited**

U.S. PATENT DOCUMENTS

D474,416 S *	5/2003	Oonuma et al.	D10/81
D655,822 S *	3/2012	Oonuma et al.	D24/216
D663,040 S *	7/2012	Oonuma et al.	D24/216
D681,226 S *	4/2013	Oonuma et al.	D24/216
D681,227 S *	4/2013	Oonuma et al.	D24/216

* cited by examiner

Primary Examiner — Anhdao Doan

(74) *Attorney, Agent, or Firm* — Crowell & Moring LLP

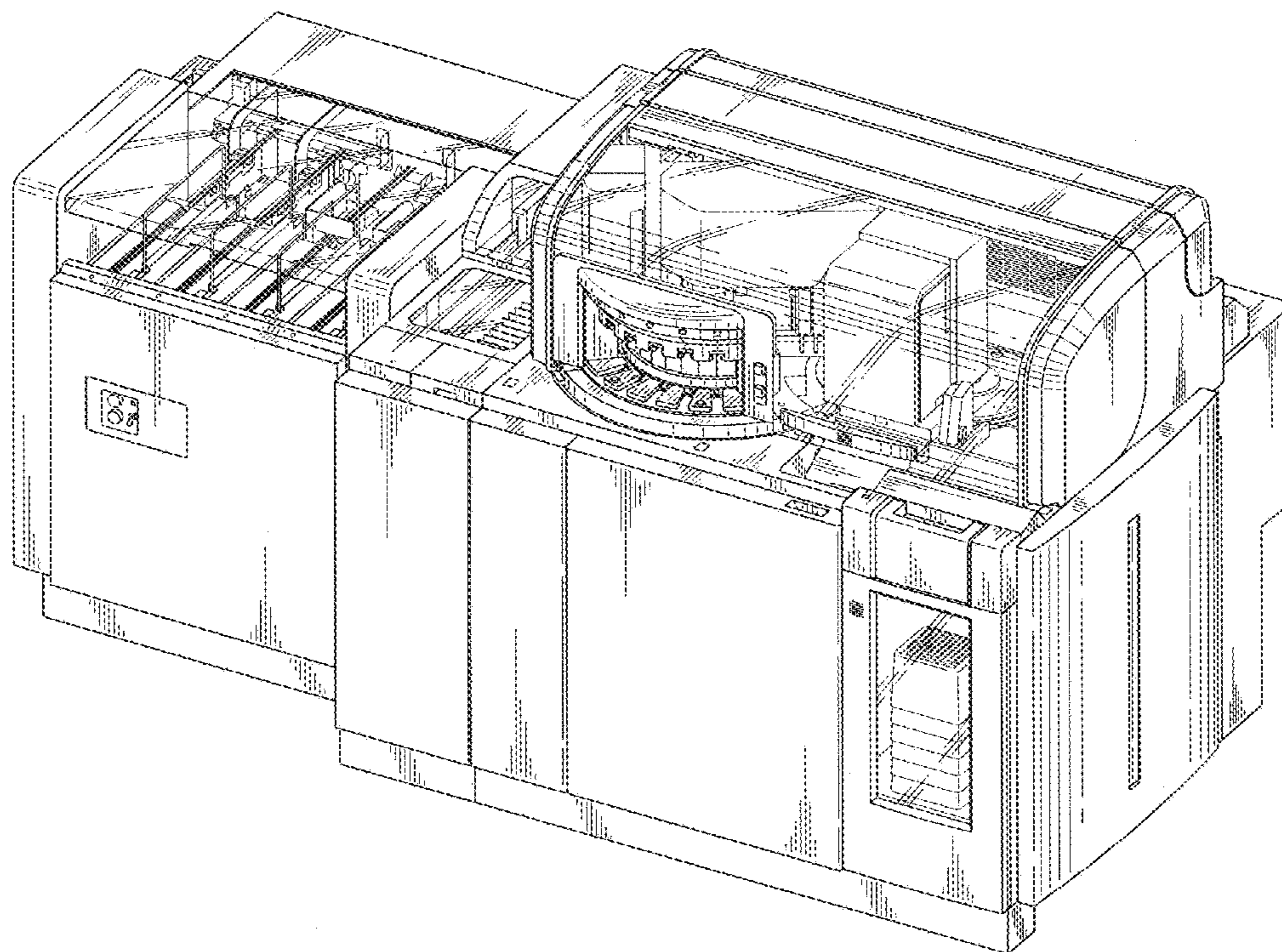
(57) **CLAIM**

We claim the ornamental design for a clinical analyzer, as shown and described.

DESCRIPTION

FIG. 1 is a front, top and right side perspective view of a clinical analyzer showing our new design; FIG. 2 is a front elevational view thereof; FIG. 3 is a rear elevational view thereof; FIG. 4 is a left side elevational view thereof; FIG. 5 is a right side elevational view thereof; FIG. 6 is a top plan view thereof; and FIG. 7 is a bottom plan view thereof; and, FIG. 8 is a reference front, top and right side perspective view thereof shown in an opened position. The broken lines in FIG. 3 are included for the purpose of illustrating portions of the clinical analyzer that form no part of the claimed design.

1 Claim, 7 Drawing Sheets



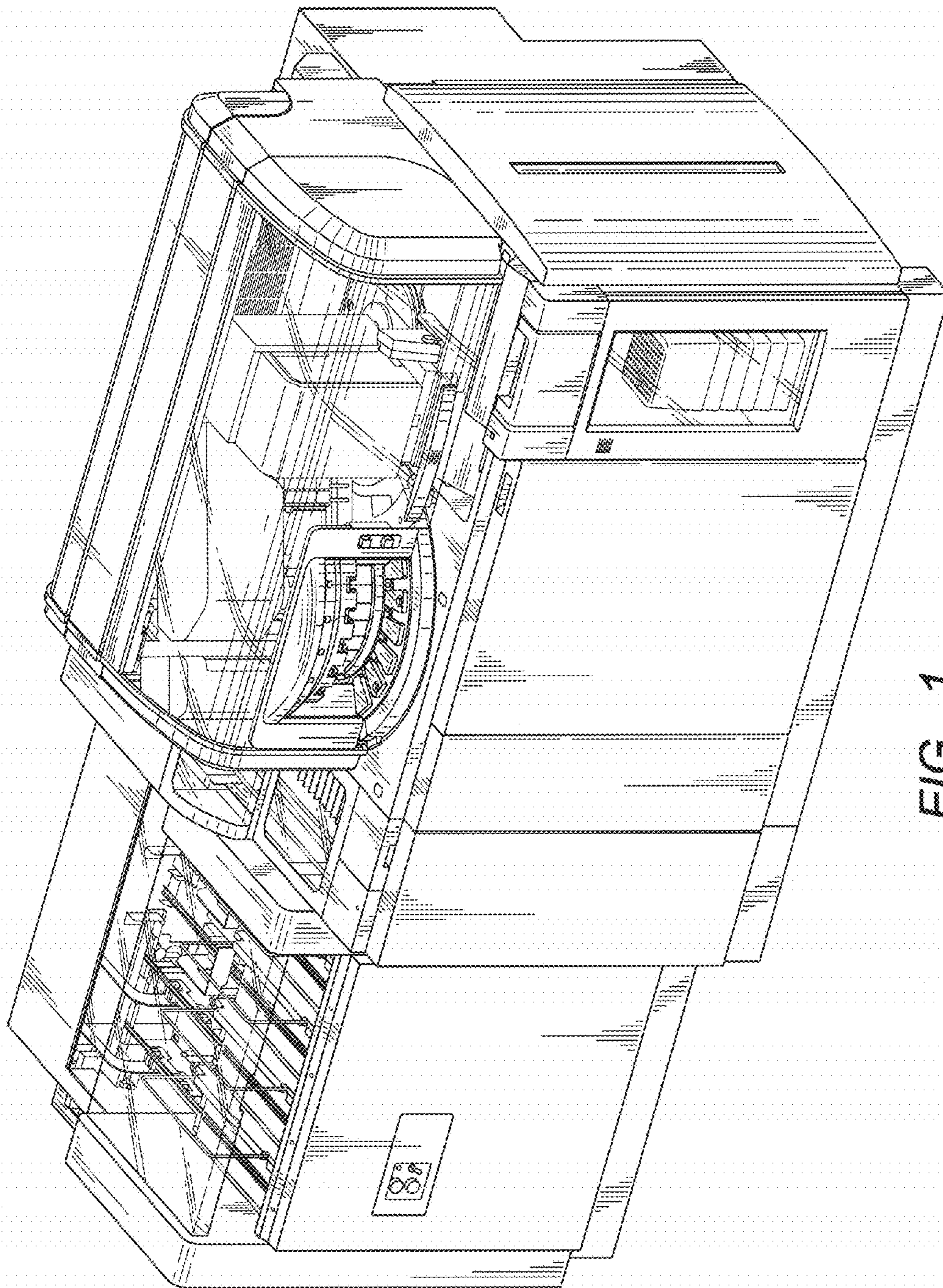


FIG. 1

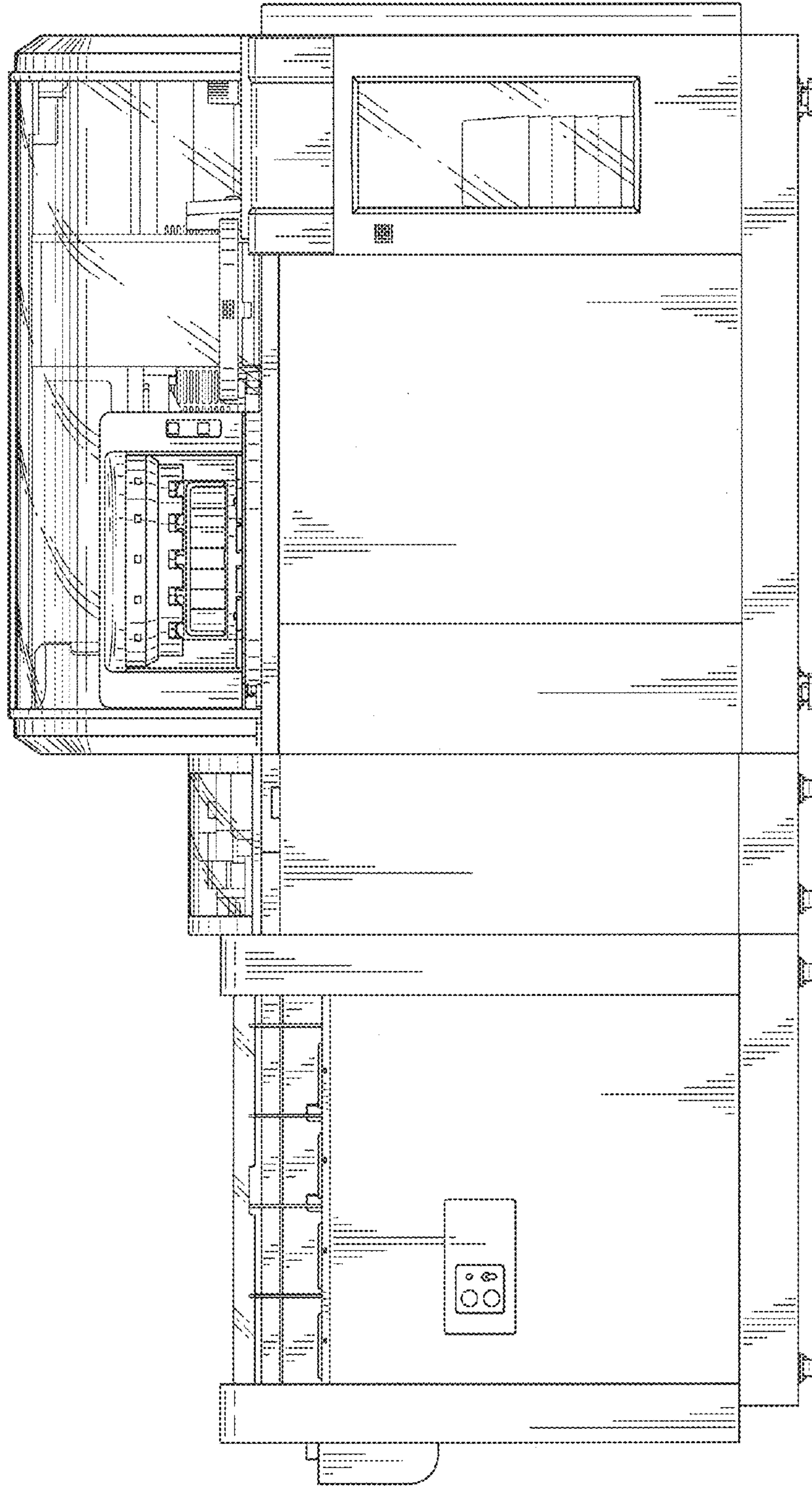


FIG. 2

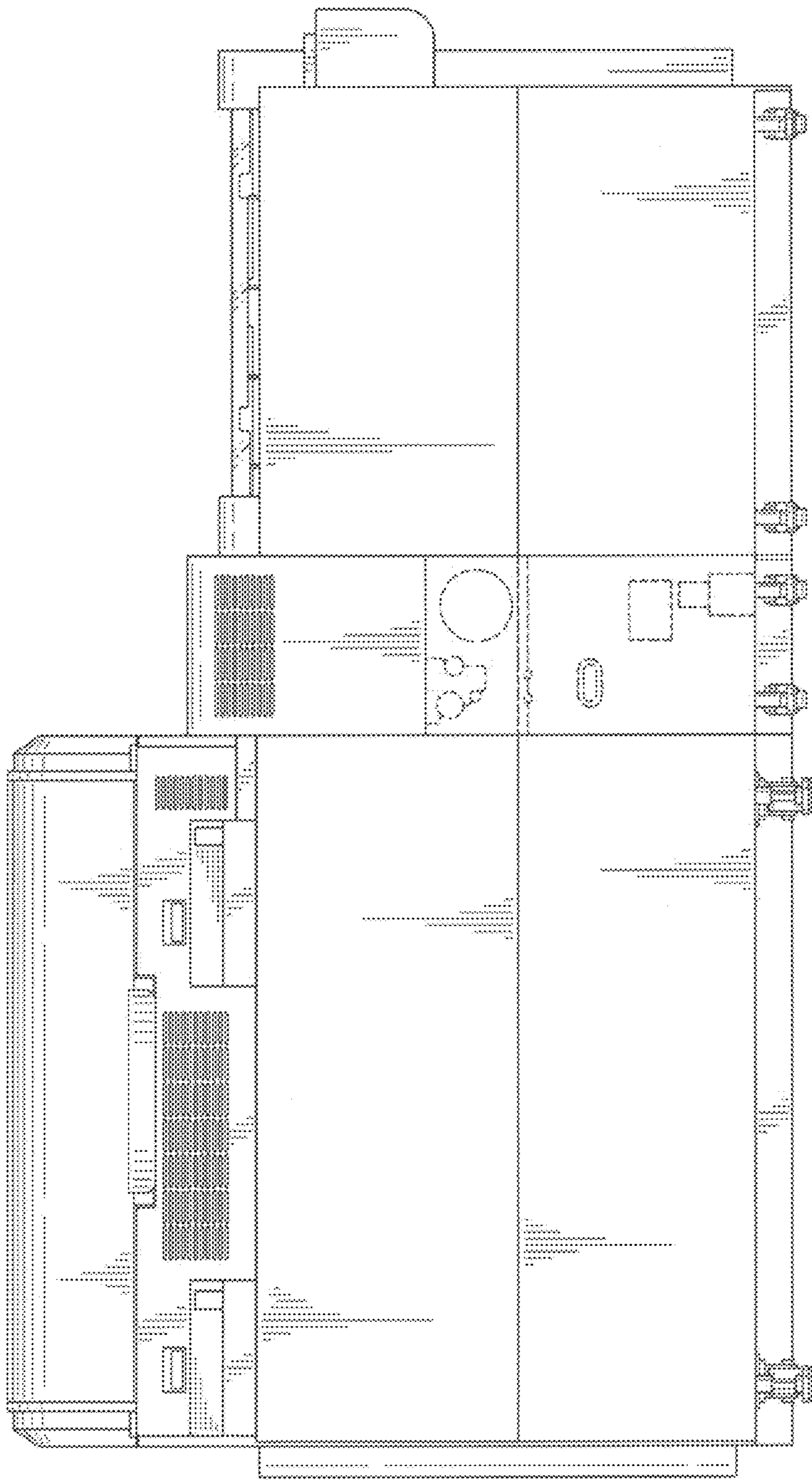


FIG. 3

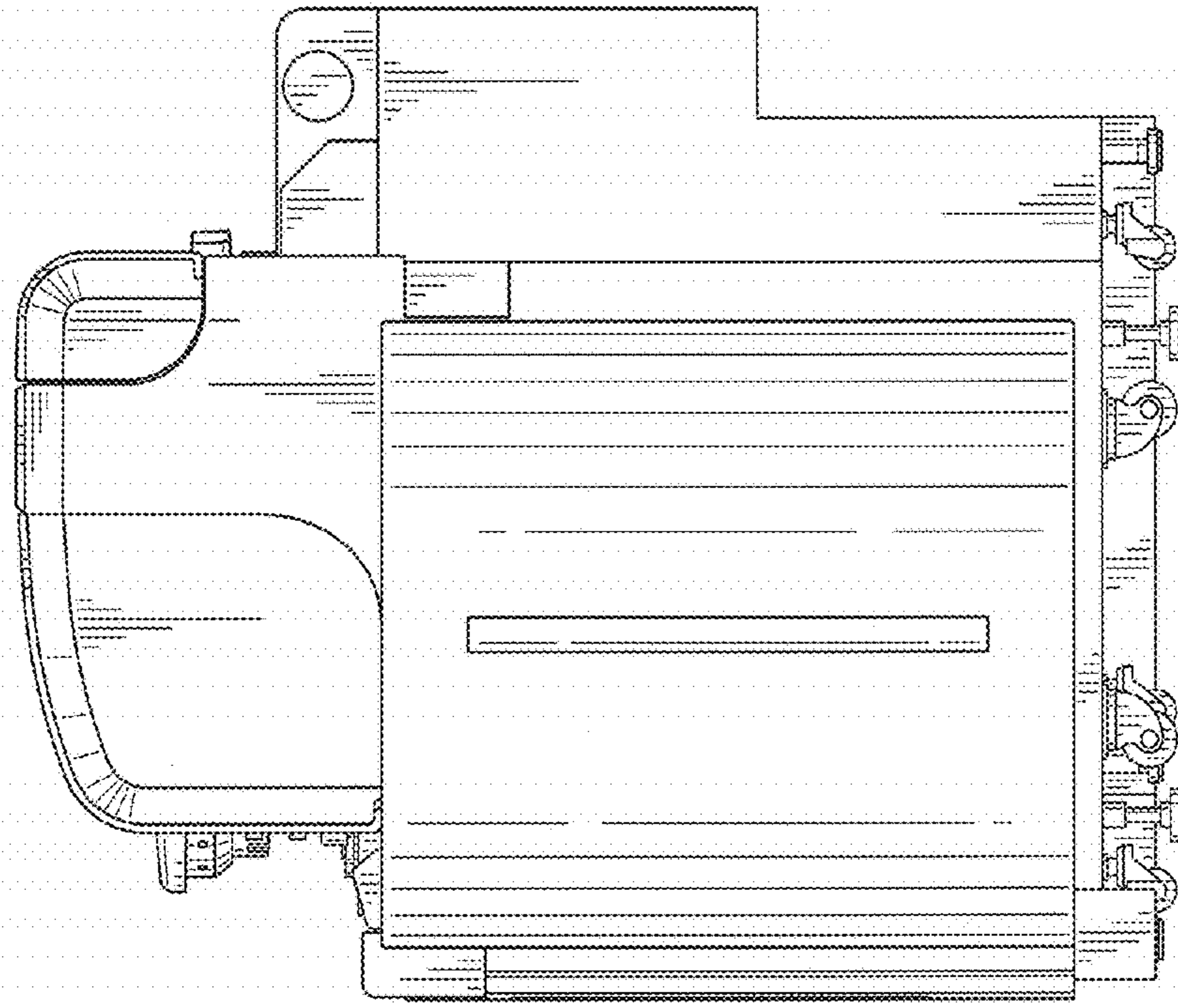


FIG. 5

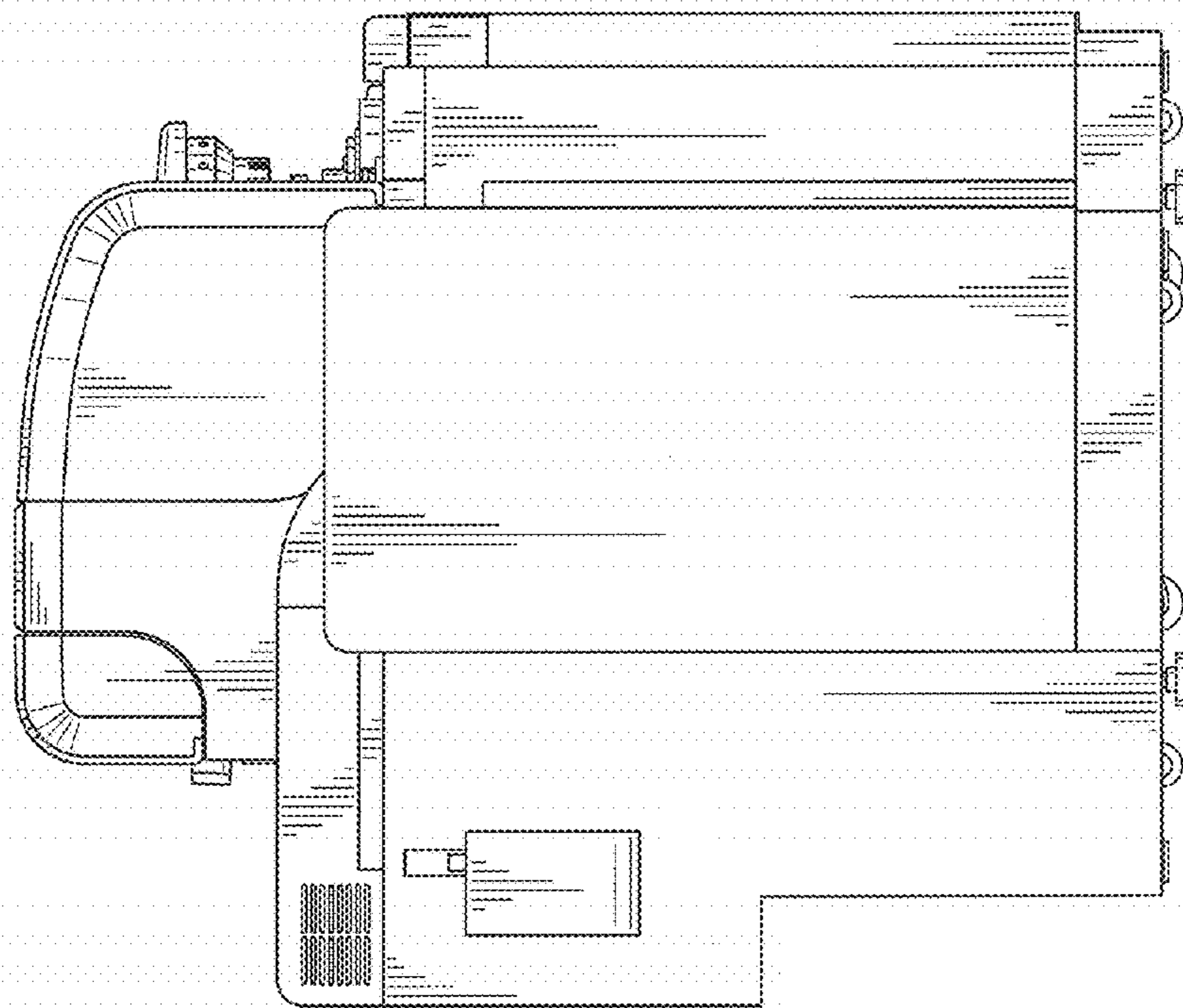


FIG. 4

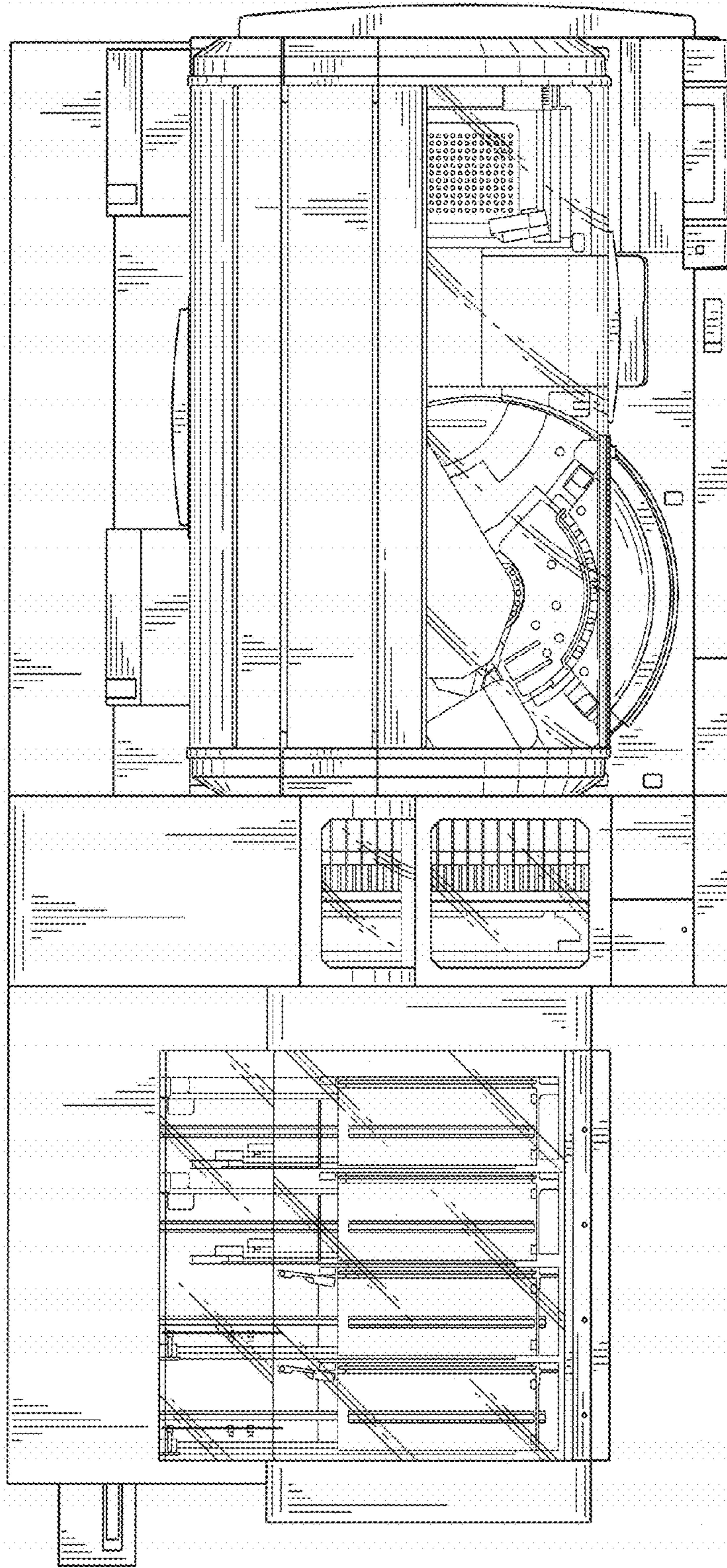


FIG. 6

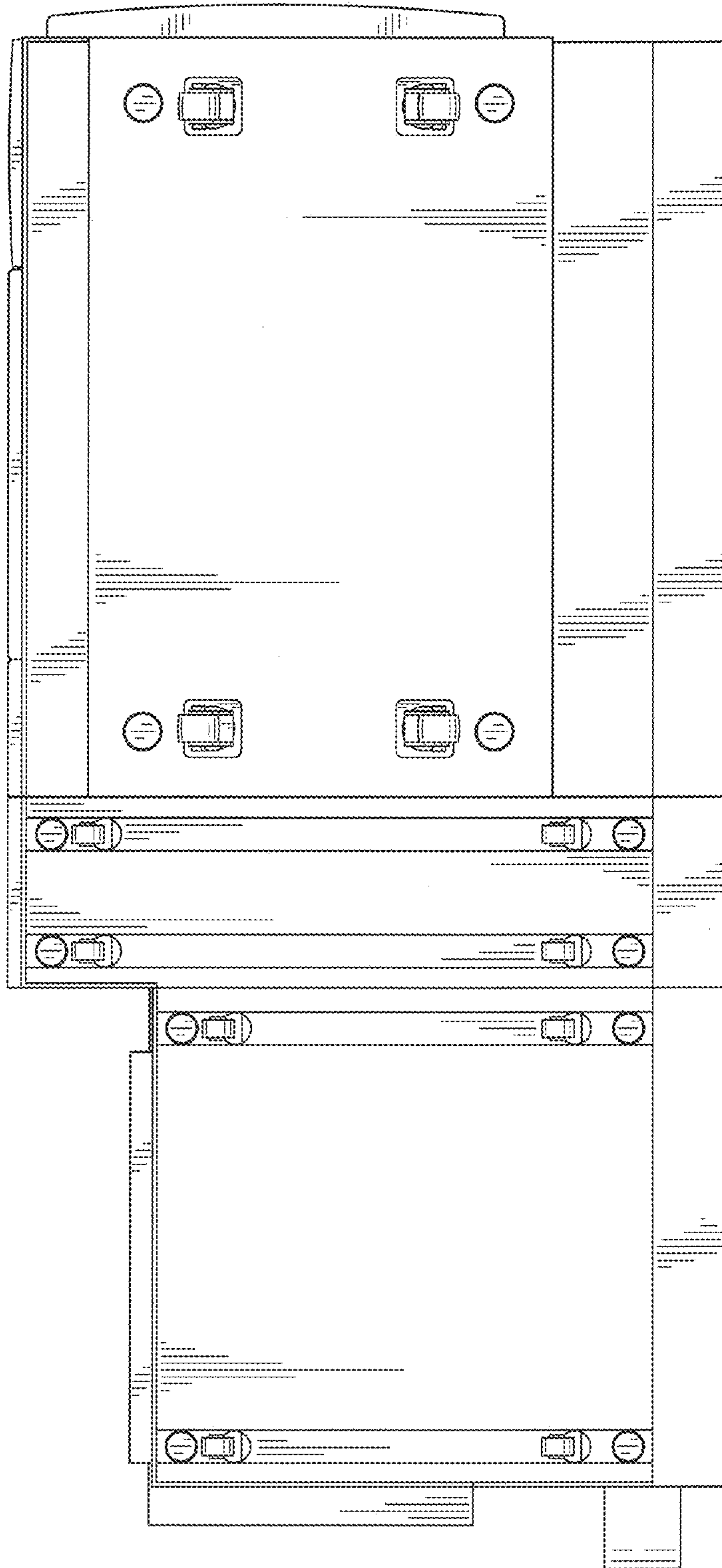


FIG. 7

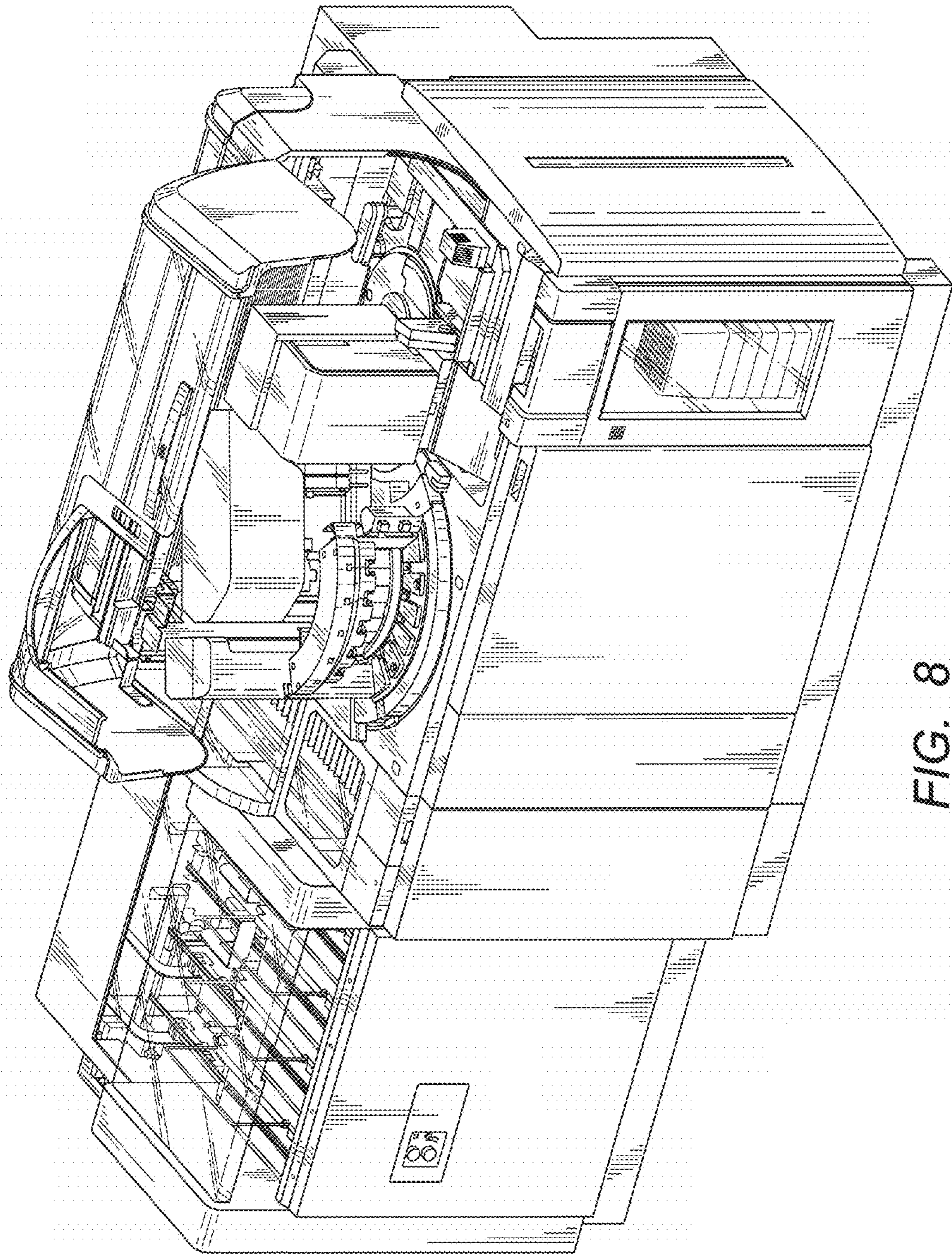


FIG. 8