



US00D740953S

(12) **United States Design Patent**  
**Spears et al.**

(10) **Patent No.:** **US D740,953 S**  
(45) **Date of Patent:** **\*\* Oct. 13, 2015**

- (54) **HYDROTHERAPY JET ESCUTCHEON**
- (71) Applicant: **Waterway Plastics**, Oxnard, CA (US)
- (72) Inventors: **William Spears**, Oxnard, CA (US); **Luis E. Fuentes**, Oxnard, CA (US)
- (\*\*) Term: **14 Years**
- (21) Appl. No.: **29/510,606**
- (22) Filed: **Dec. 1, 2014**
- (51) **LOC (10) Cl.** ..... **24-04**
- (52) **U.S. Cl.**  
USPC ..... **D24/201**
- (58) **Field of Classification Search**  
USPC ..... D24/201, 204, 205; D23/269, 262, 266,  
D23/386, 393; 55/502, 506, DIG. 26;  
277/602; 248/62-64; 204/298.11,  
204/298.02; 601/154-158; 4/541.1-541.6,  
4/547, 578.1, 579; D22/114  
See application file for complete search history.

D608,009	S	*	1/2010	Vogtner et al.	.....	D24/204
D655,820	S	*	3/2012	Thomas	.....	D24/204
8,175,318	B2	*	5/2012	Pieklik et al.	.....	381/387
8,250,682	B2	*	8/2012	Mjelde et al.	.....	4/492
D689,192	S	*	9/2013	Loyd	.....	D24/201
D689,619	S	*	9/2013	Sears	.....	D24/201
D690,429	S	*	9/2013	Harder	.....	D24/204

\* cited by examiner

*Primary Examiner* — David Muller  
(74) *Attorney, Agent, or Firm* — Sandy Lipkin

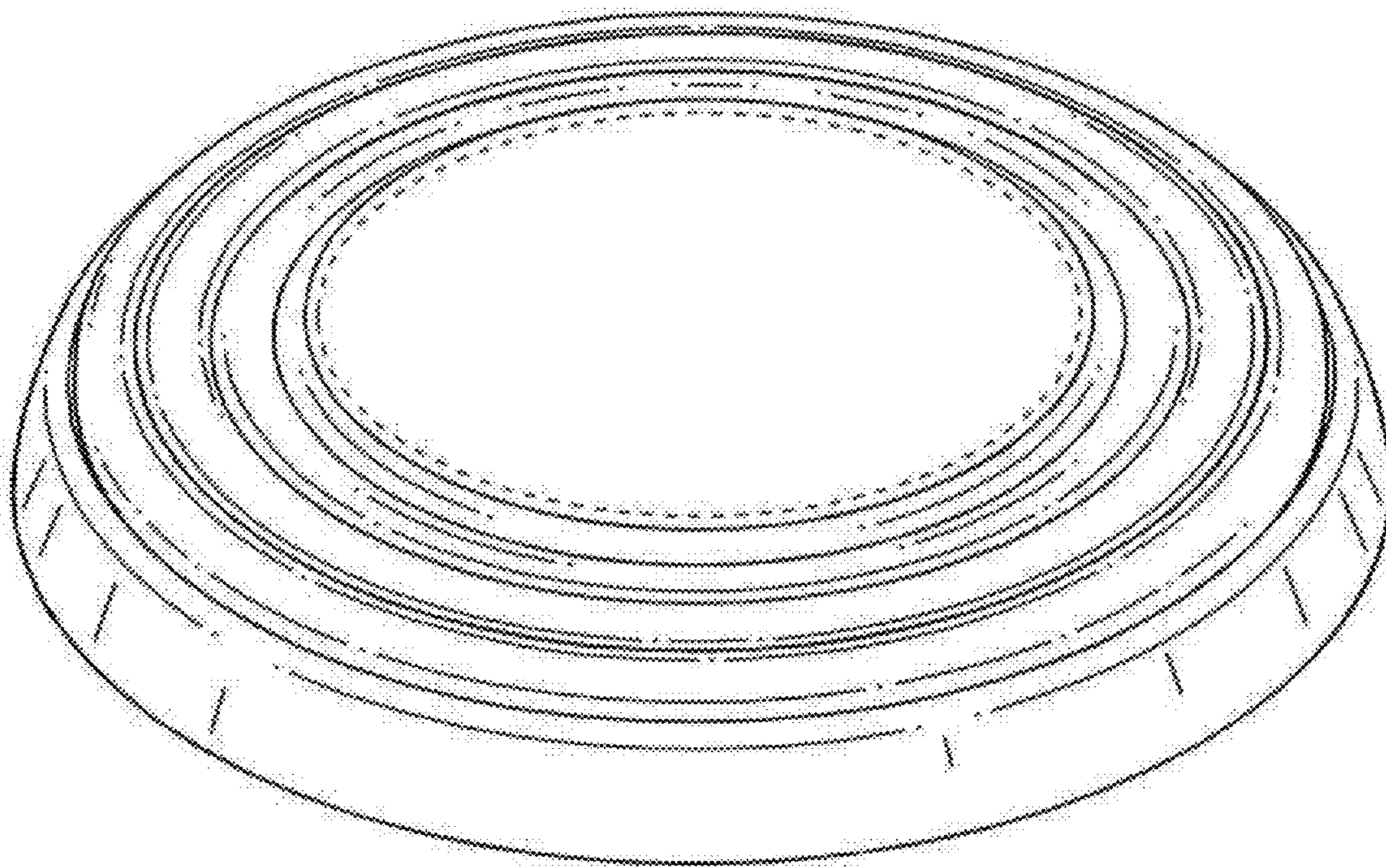
(57) **CLAIM**  
The ornamental design for hydrotherapy jet escutcheon, as shown and described.

**DESCRIPTION**

FIG. 1 is a perspective view of the hydrotherapy jet escutcheon.  
FIG. 2 is a top view of the hydrotherapy jet escutcheon.  
FIG. 3 is a first side view of the hydrotherapy jet escutcheon; and,  
FIG. 4 is a section view of FIG. 2 of the hydrotherapy jet escutcheon.  
The dashed line immediately adjacent the claimed areas in FIG. 4 represent the boundaries of the claimed design. None of the broken lines form any part of the claimed design.

**1 Claim, 2 Drawing Sheets**

- (56) **References Cited**  
U.S. PATENT DOCUMENTS  
D355,695 S \* 2/1995 Moore ..... D22/113  
D389,245 S \* 1/1998 Lopez ..... D24/204  
D395,483 S \* 6/1998 Maryska ..... D22/114  
D450,804 S \* 11/2001 Srinath et al. .... D23/213  
7,108,202 B1 \* 9/2006 Chang ..... 239/380  
D531,730 S \* 11/2006 Loyd ..... D24/201





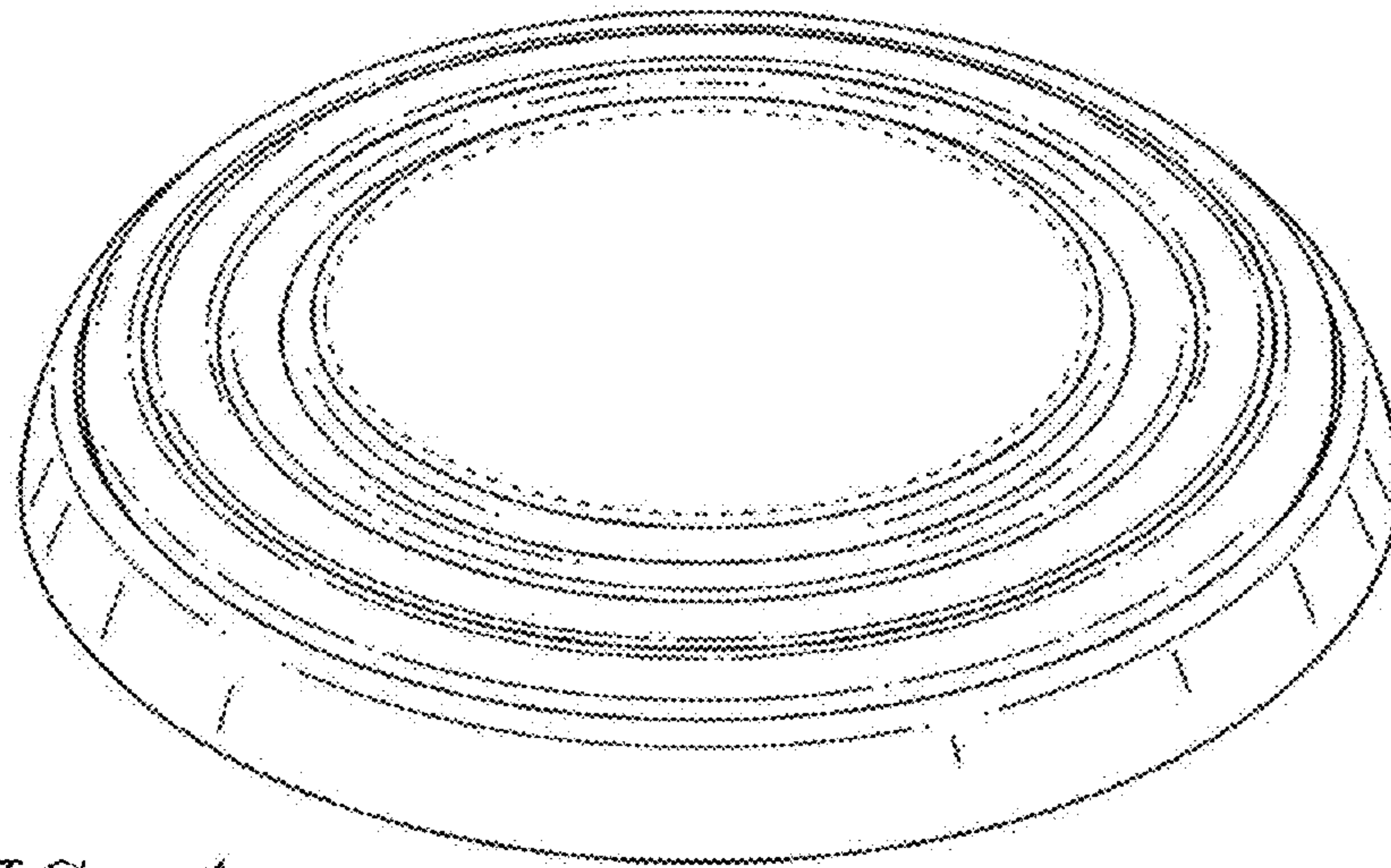


FIG. 1

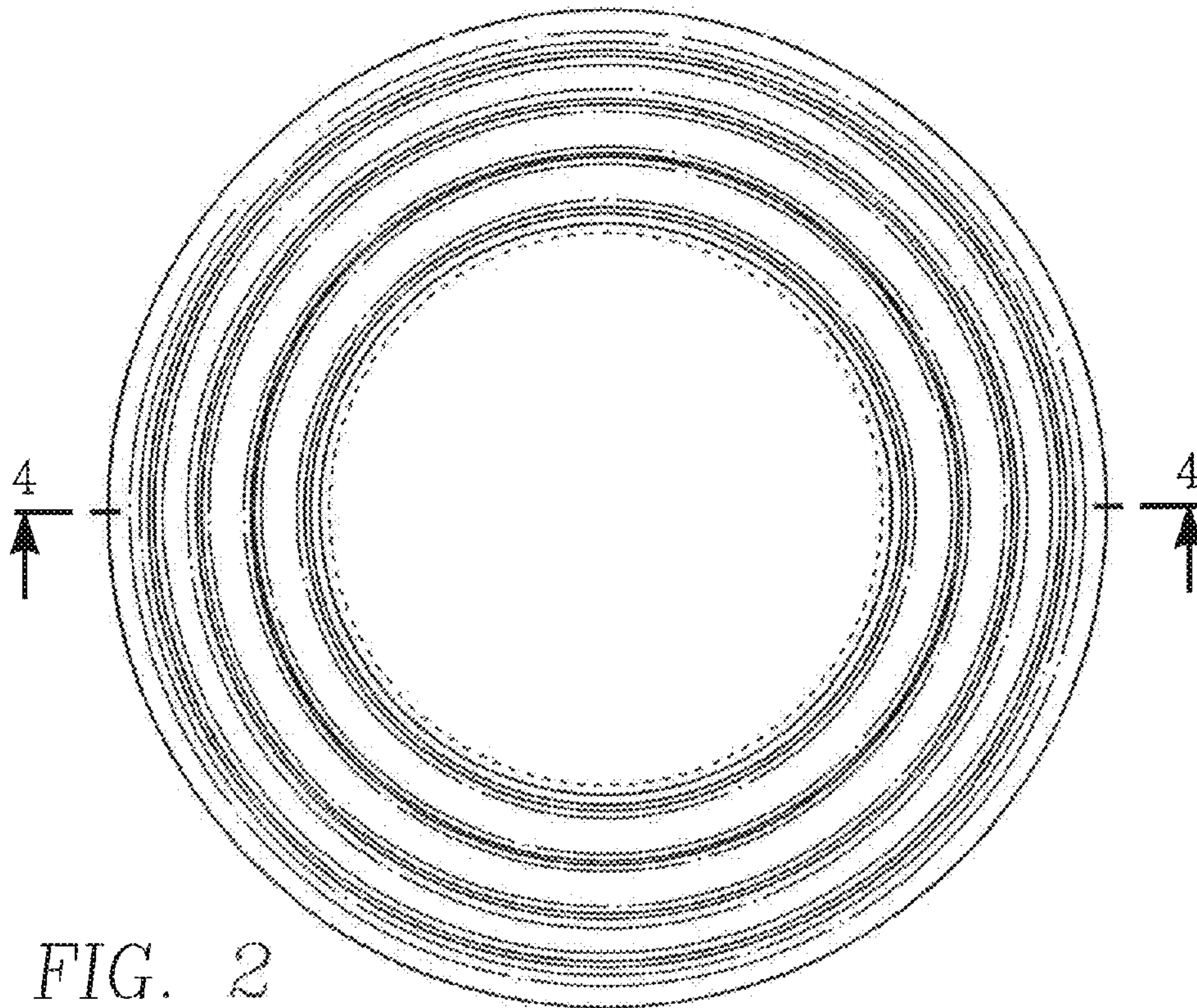


FIG. 2

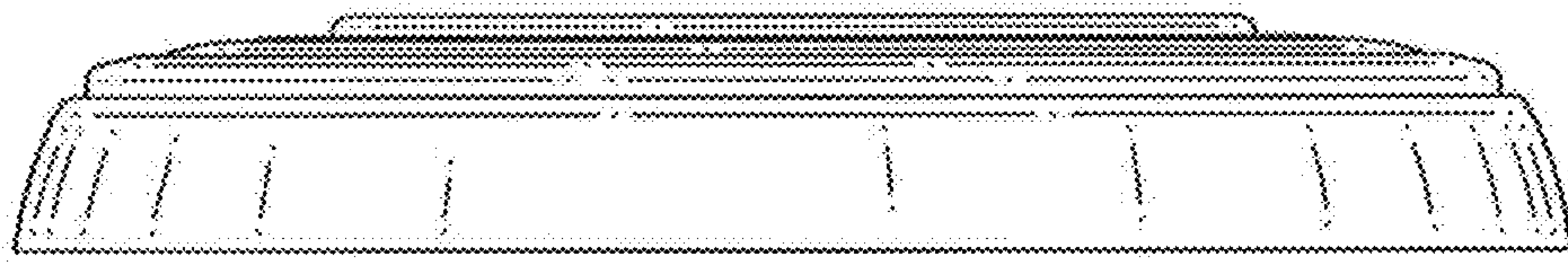


FIG. 3



FIG. 4