



US00D740949S

(12) **United States Design Patent**  
**Billard et al.**

(10) **Patent No.:** **US D740,949 S**  
(45) **Date of Patent:** **\*\* Oct. 13, 2015**

- (54) **OPHTHALMIC LENS EDGER**
- (71) Applicant: **Essilor International (Compagnie Generale d'Optique)**, Paris (FR)
- (72) Inventors: **Armand Billard**, Paris (FR); **Sebastien Corre**, Chessy (FR)
- (73) Assignee: **Essilor International (Compagnie Générale d'Optique)**, Charenton-le-Pont (FR)

D369,112	S *	4/1996	Luce et al.	.....	D10/46
5,549,503	A *	8/1996	Nauche et al.	.....	451/11
5,605,498	A *	2/1997	Nauche	.....	451/240
D381,343	S *	7/1997	Elie	.....	D15/124
D383,144	S *	9/1997	Elie	.....	D16/130
D435,053	S *	12/2000	Andrews et al.	.....	D15/124
D467,948	S *	12/2002	Powers	.....	D15/124
D493,889	S *	8/2004	Koo	.....	D24/146
7,201,631	B2 *	4/2007	Thepot et al.	.....	451/5
D581,295	S *	11/2008	Elie	.....	D10/64
D581,957	S *	12/2008	Elie	.....	D15/124
D606,101	S *	12/2009	Tingen et al.	.....	D15/125
7,975,355	B2 *	7/2011	Nauche et al.	.....	29/26 A
8,380,456	B2 *	2/2013	Igarashi et al.	.....	702/95

(\*\*) Term: **14 Years**

(Continued)

(21) Appl. No.: **29/484,217**

*Primary Examiner* — Holly Baynham

(22) Filed: **Mar. 7, 2014**

*Assistant Examiner* — Rhea Shields

(30) **Foreign Application Priority Data**

(74) *Attorney, Agent, or Firm* — Gardere Wynne Sewell LLP

Sep. 9, 2013 (EM) ..... 002305136

(51) **LOC (10) Cl.** ..... **24-00**

(52) **U.S. Cl.**  
USPC ..... **D24/172**

(58) **Field of Classification Search**  
USPC ..... D24/172, 146; D15/124, 125, 131;  
451/323, 240, 11, 5, 43; D10/46, 64;  
D16/130; 356/124; 29/26 A; 702/95  
CPC ..... B24B 13/02; B24B 9/14; B24B 49/16;  
G03F 7/706; G01B 21/042  
See application file for complete search history.

(57) **CLAIM**

The ornamental design for an ophthalmic lens edger, as shown and described.

**DESCRIPTION**

FIG. 1 is a front perspective view of an ophthalmic lens edger in accordance with the invention;  
FIG. 2 is a front view of the ophthalmic lens edger shown in FIG. 1;  
FIG. 3 is a rear view of the ophthalmic lens edger shown in FIG. 1;  
FIG. 4 is a right side view of the ophthalmic lens edger shown in FIG. 1;  
FIG. 5 is a left side view of the ophthalmic lens edger shown in FIG. 1;  
FIG. 6 is a top view of the ophthalmic lens edger shown in FIG. 1; and,  
FIG. 7 is a bottom view of the ophthalmic lens edger shown in FIG. 1.

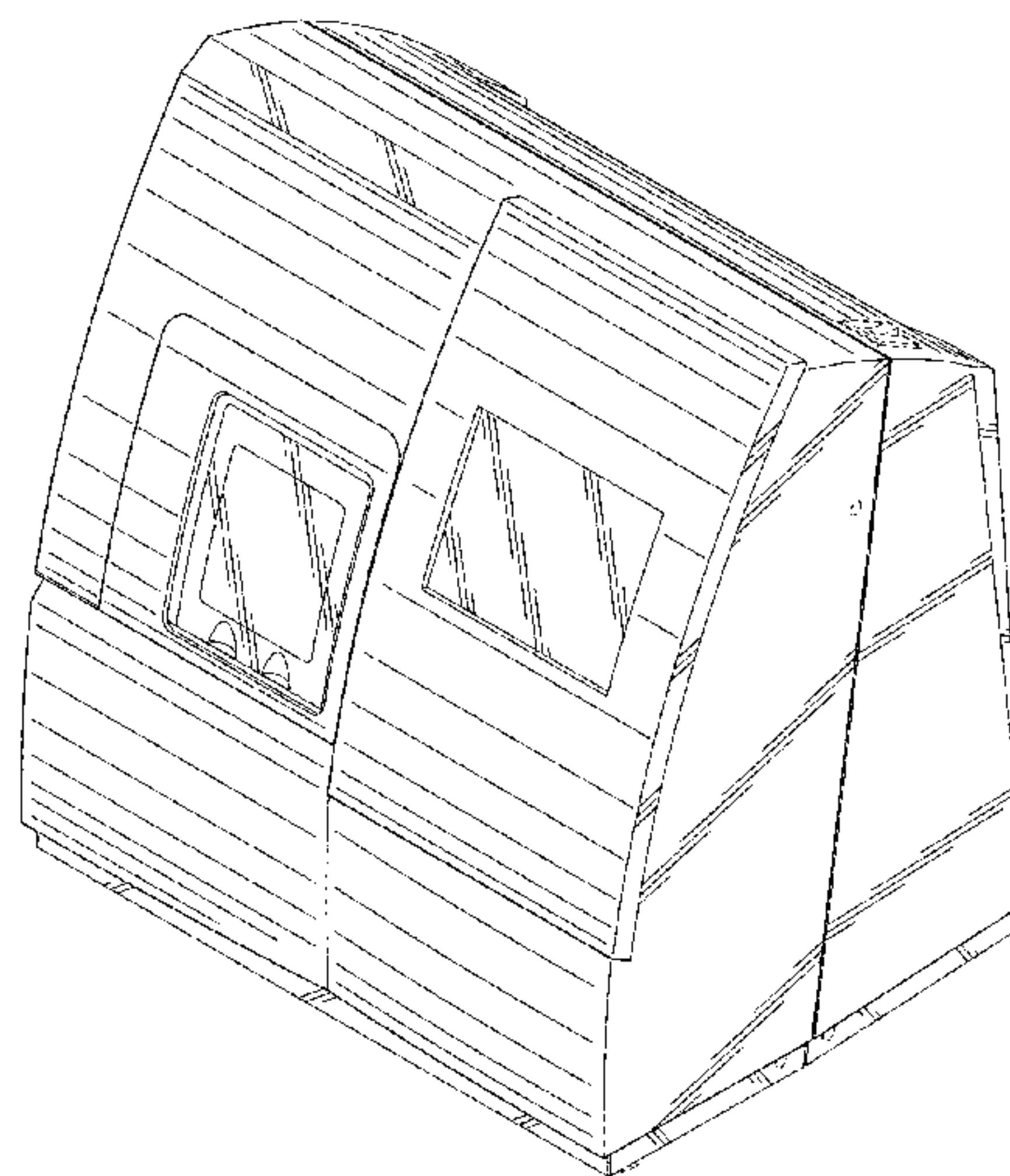
In the drawings, the broken lines are for the purpose of illustrating environment only and form no part of the claimed design.

**1 Claim, 7 Drawing Sheets**

(56) **References Cited**

**U.S. PATENT DOCUMENTS**

3,213,569	A *	10/1965	Haugen et al.	.....	451/323
D214,847	S *	8/1969	Urbach	.....	D15/124
D215,465	S *	10/1969	Ball et al.	.....	D15/124
D246,987	S *	1/1978	Hawkins	.....	D24/172
4,612,732	A *	9/1986	Delattre et al.	.....	451/240
5,027,561	A *	7/1991	Brule et al.	.....	451/11
5,217,335	A *	6/1993	Houchens et al.	.....	409/80
D341,541	S *	11/1993	Ichiyoshi	.....	D10/46



# US D740,949 S

Page 2

---

(56)

## References Cited

### U.S. PATENT DOCUMENTS

D706,320 S \* 6/2014 Hynek et al. .... D15/131  
D719,989 S \* 12/2014 St. Laurent et al. .... D15/124

D724,634 S \* 3/2015 St. Laurent et al. .... D15/124  
2007/0146687 A1 \* 6/2007 Divo et al. .... 356/124  
2008/0055542 A1 \* 3/2008 Haddadi ..... 351/177  
2009/0068932 A1 \* 3/2009 Lemaire et al. .... 451/43

\* cited by examiner

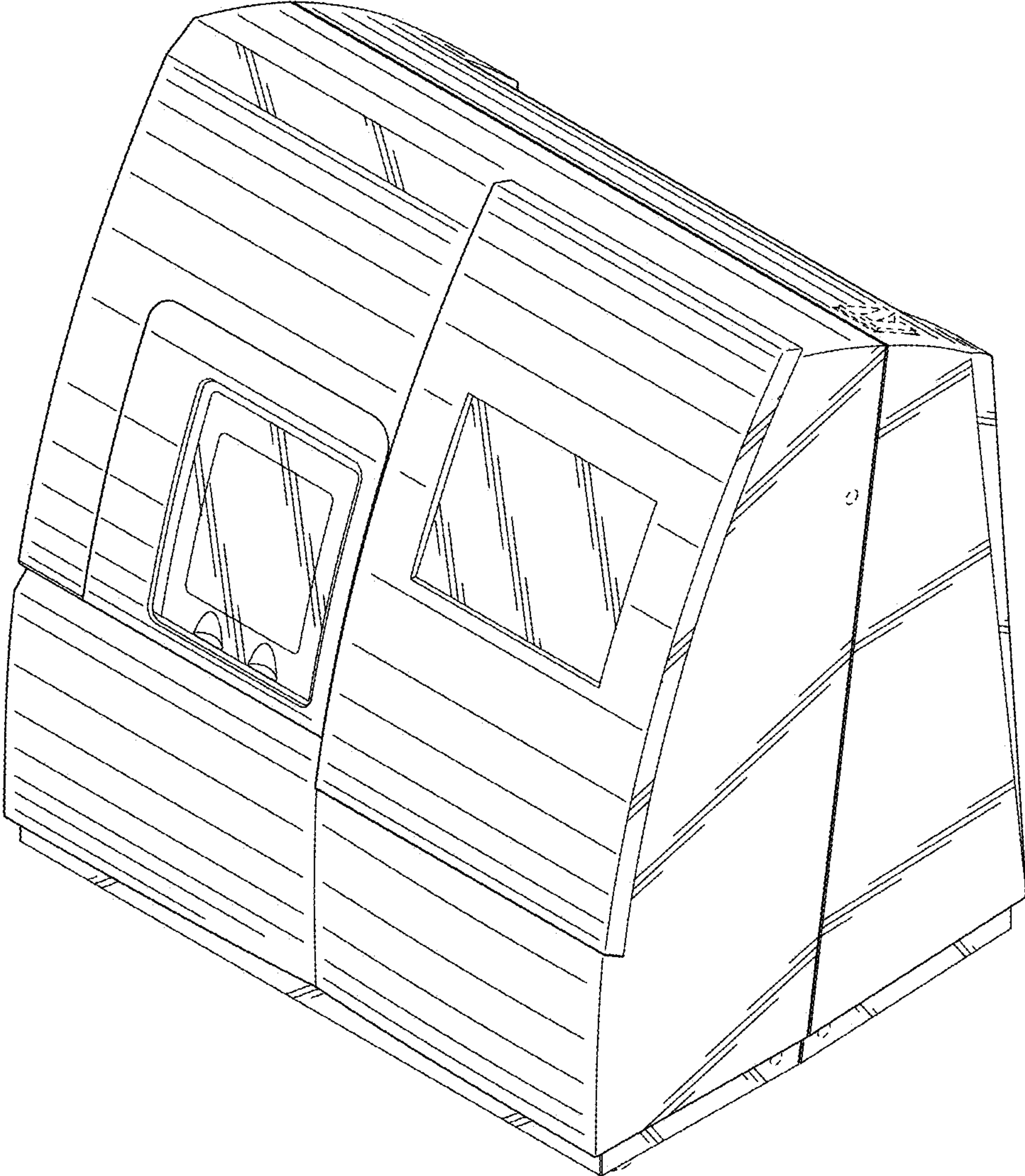


FIG. 1

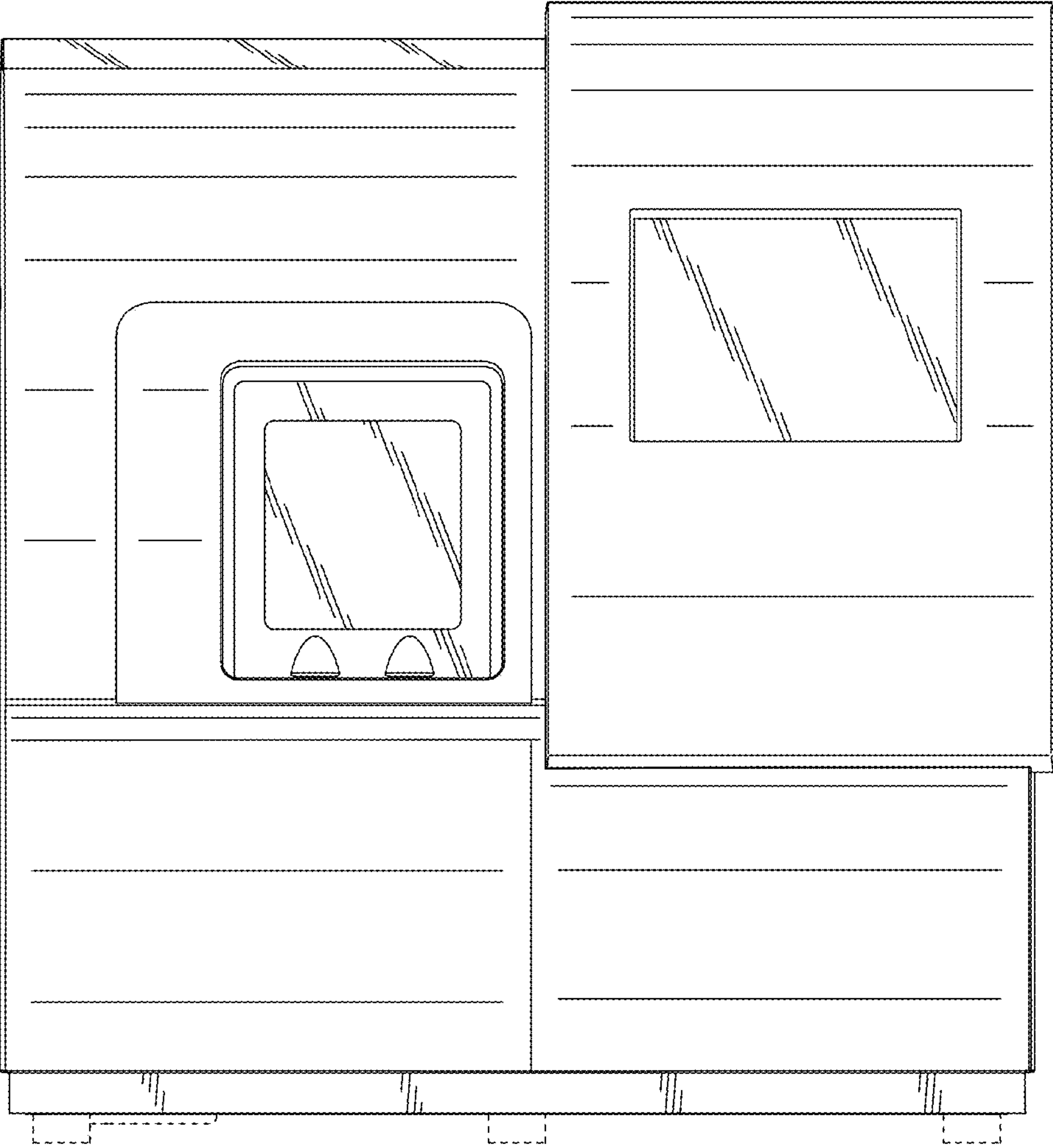


FIG. 2



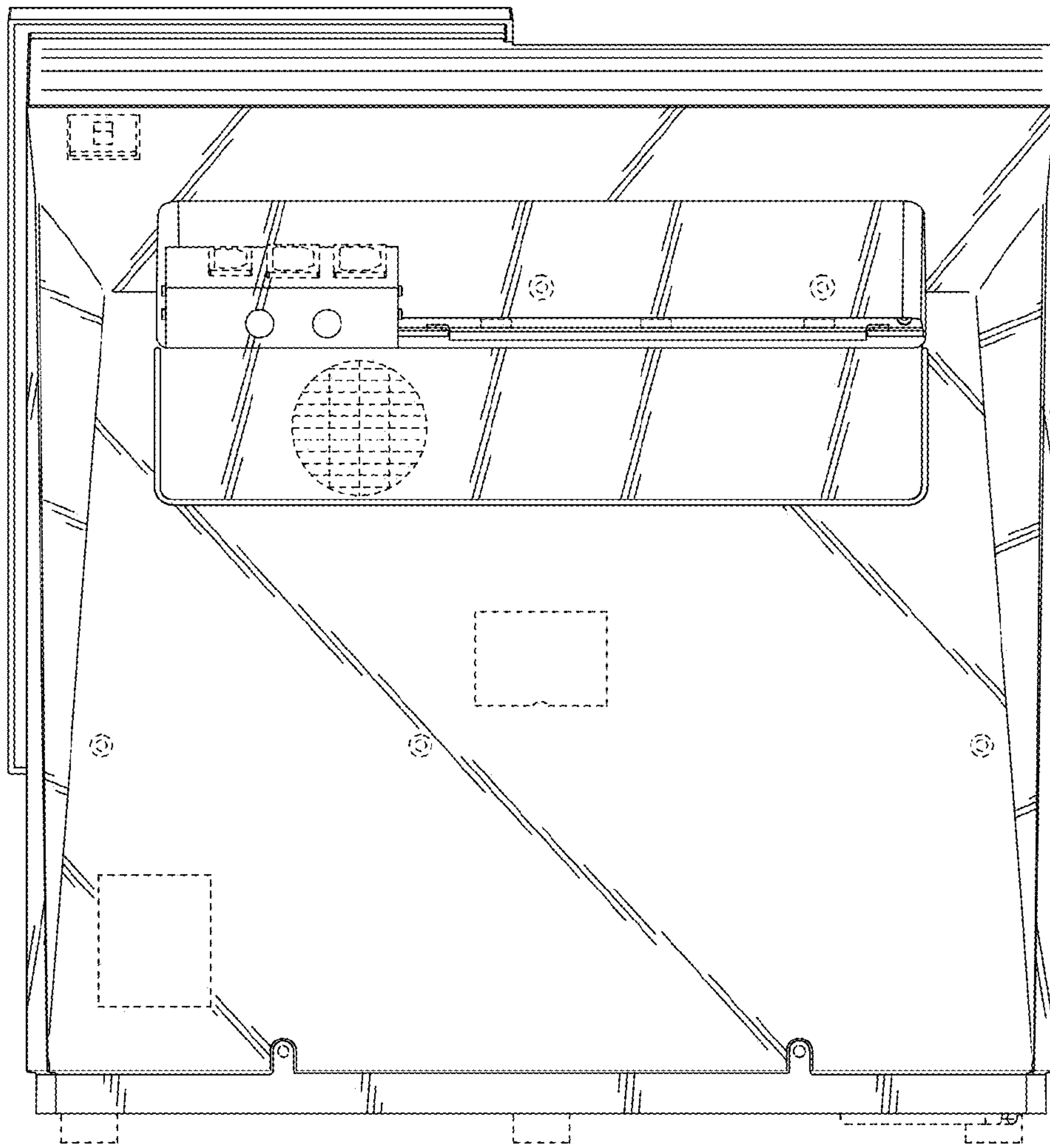


FIG. 3

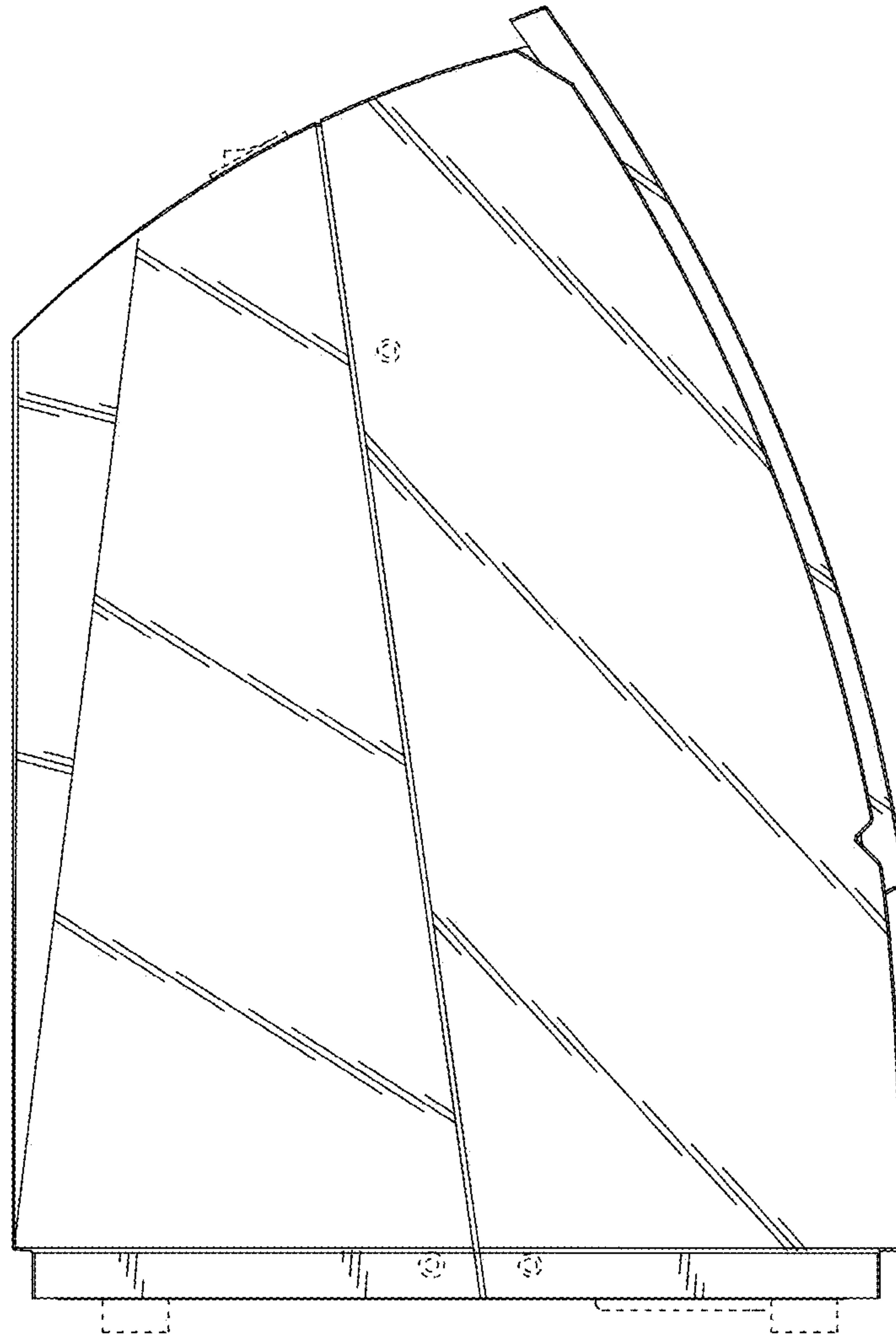


FIG. 4

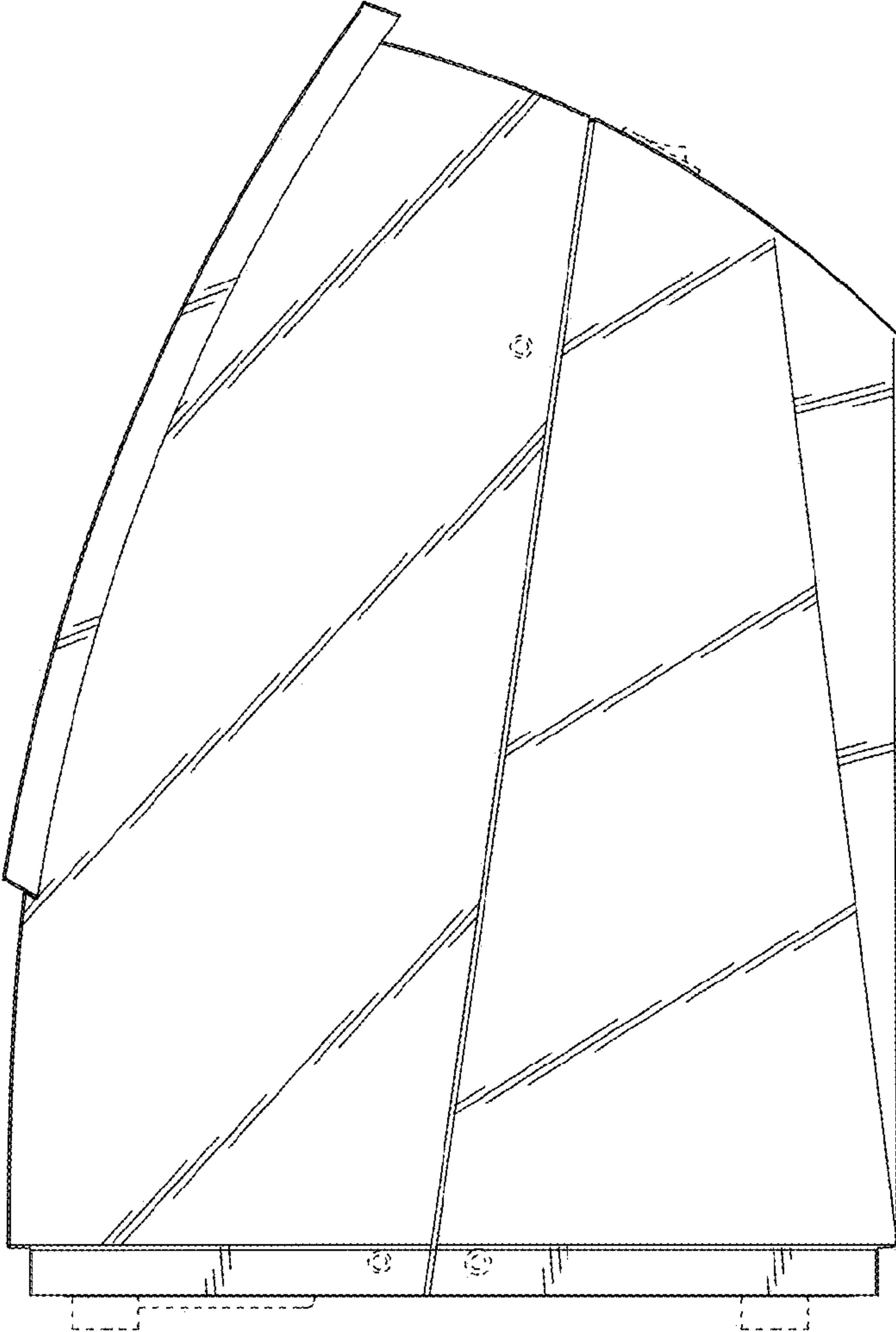


FIG. 5

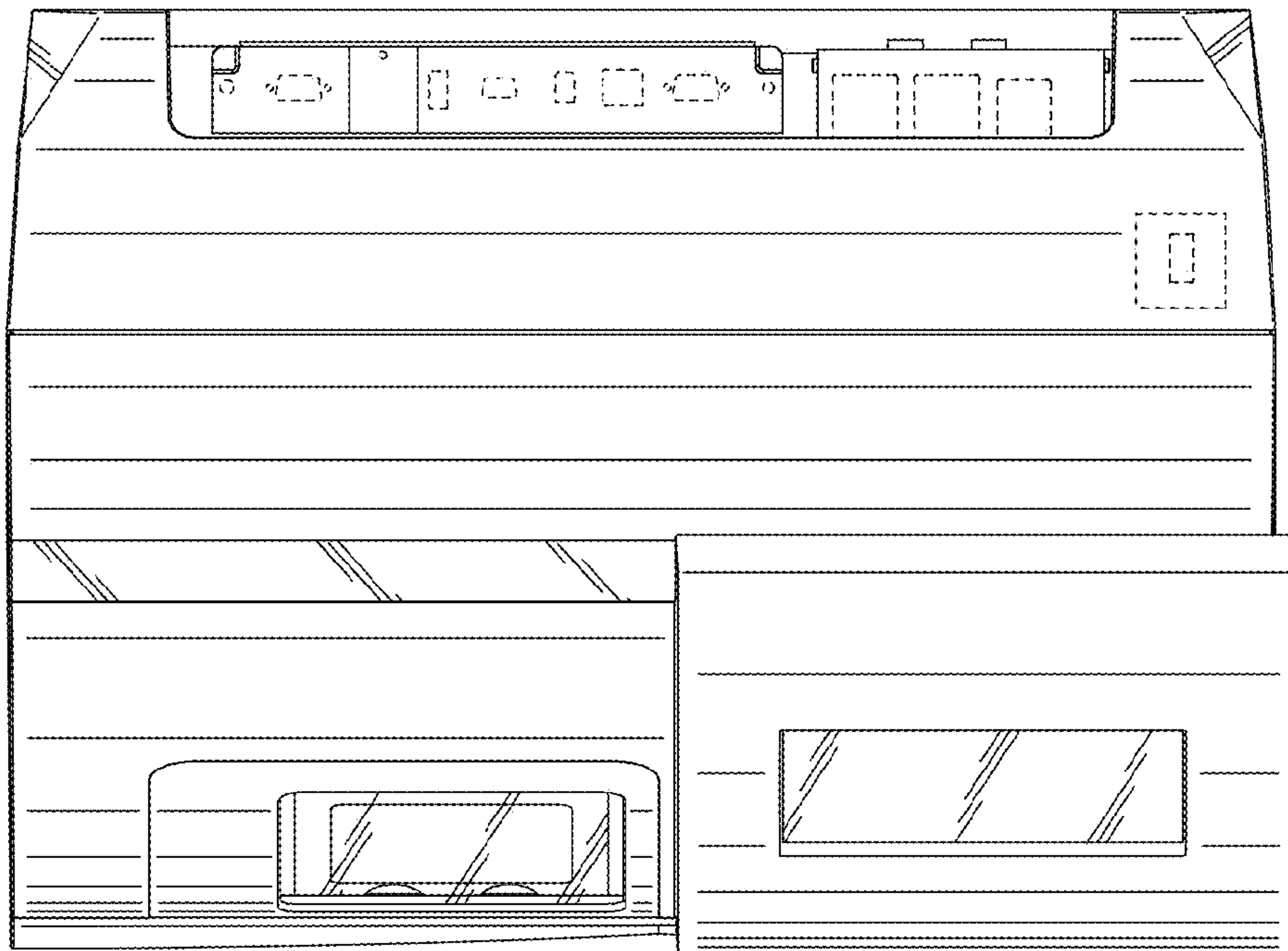


FIG. 6



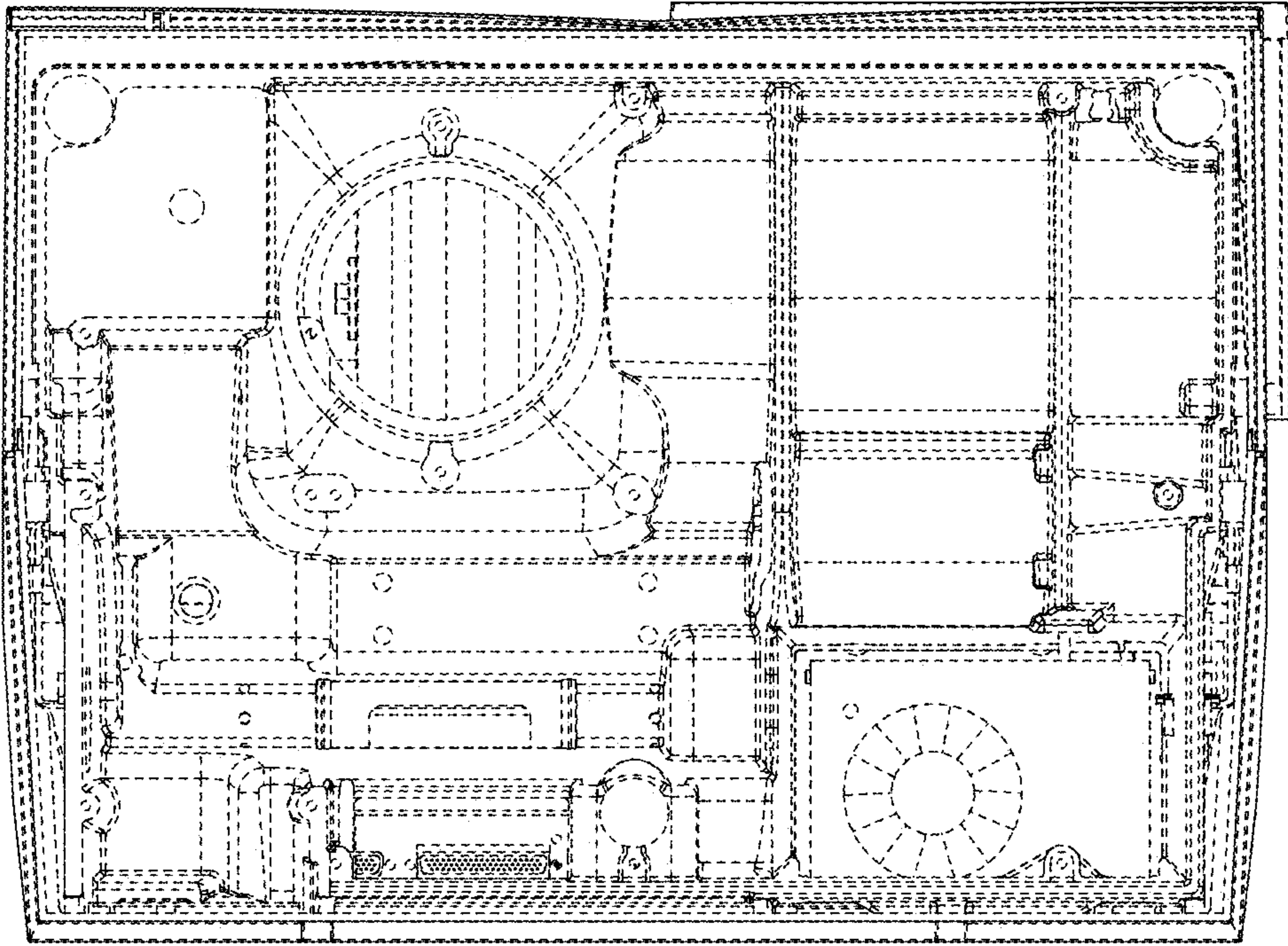


FIG. 7