



US00D740948S

(12) **United States Design Patent**
Hamilton

(10) **Patent No.:** **US D740,948 S**

(45) **Date of Patent:** **** Oct. 13, 2015**

(54) **BREATH TEST VENTILATION APPARATUS**

(71) Applicant: **QuinTron Instrument Company, Inc.**,
Milwaukee, WI (US)

(72) Inventor: **Steven D. Hamilton**, Greenfield, WI
(US)

(73) Assignee: **QuinTron Instrument Company, Inc.**,
Milwaukee, WI (US)

(**) Term: **14 Years**

(21) Appl. No.: **29/487,641**

(22) Filed: **Apr. 10, 2014**

(51) **LOC (10) Cl.** **24-00**

(52) **U.S. Cl.**
USPC **D24/164**

(58) **Field of Classification Search**
USPC D24/164, 184, 162, 110, 129, 110.5,
D24/158, 169; 128/200.18; 600/529, 538,
600/539, 540-543, 532, 533; 482/13
See application file for complete search history.

(56) **References Cited**

U.S. PATENT DOCUMENTS

D266,695	S	*	10/1982	Trammll et al.	D24/110
D281,011	S	*	10/1985	Helfer	D24/110
D335,343	S	*	5/1993	Jones et al.	D24/110
5,360,009	A	*	11/1994	Herskovitz	600/538
D398,060	S	*	9/1998	Brown	D24/164
6,010,458	A	*	1/2000	Roberts	600/529
D423,101	S	*	4/2000	Durst et al.	D24/164
6,090,049	A	*	7/2000	Cha	600/538
D473,941	S	*	4/2003	Cise et al.	D24/129
D528,655	S	*	9/2006	Clawson	D24/110.5
D535,750	S	*	1/2007	Clawson	D24/162

D548,343	S	*	8/2007	Patzer	D24/158
D585,555	S	*	1/2009	Miller	D24/169
D638,933	S	*	5/2011	Hill et al.	D24/129
D652,917	S	*	1/2012	Hill et al.	D24/129
D662,586	S	*	6/2012	Coath	D24/110
D671,209	S	*	11/2012	Row et al.	D24/129
D680,642	S	*	4/2013	Guerra et al.	D24/110.5
D692,140	S	*	10/2013	Alvino	D24/164
D692,555	S	*	10/2013	Maksym et al.	D24/110.5
D693,004	S	*	11/2013	Larsen et al.	D24/164
D708,733	S	*	7/2014	Ng et al.	D24/110
2008/0119756	A1	*	5/2008	Wada	600/538

* cited by examiner

Primary Examiner — Holly Baynham

Assistant Examiner — Rhea Shields

(74) *Attorney, Agent, or Firm* — Ryan Kromholz & Manion,
S.C.

(57) **CLAIM**

The ornamental design for a breath test ventilation apparatus,
as shown and described.

DESCRIPTION

FIG. 1 is a perspective view of a breath test ventilation appa-
ratus of the present invention;

FIG. 2 is an in use view of a breath test apparatus of the
present invention, carried by a breath testing apparatus (not
claimed);

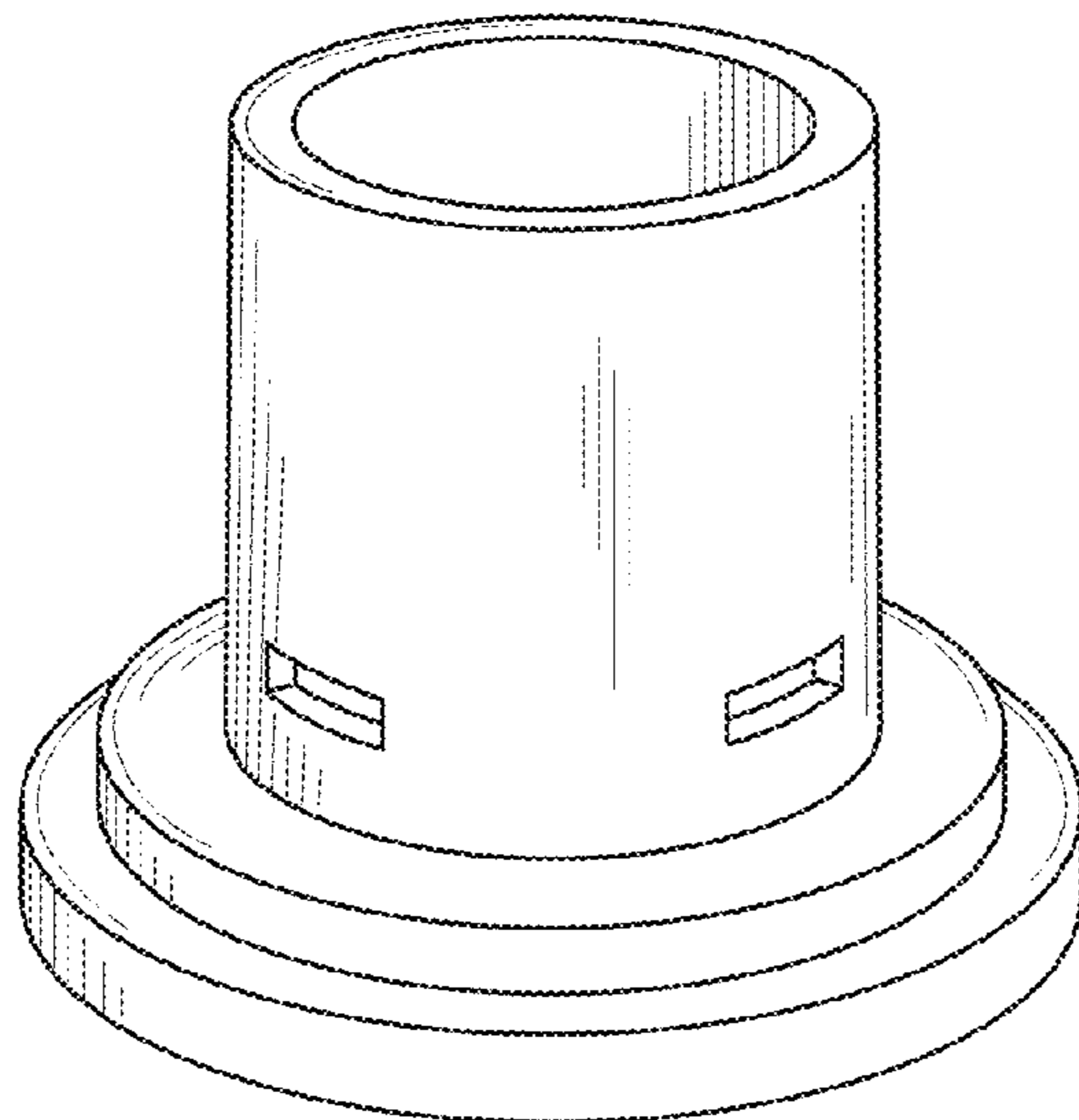
FIG. 3 is a bottom perspective view of a breath test apparatus
of the present invention;

FIG. 4 is a side view of a breath test apparatus of the present
invention; and,

FIG. 5 is a top view of a breath test apparatus of the present
invention.

In the drawings, the broken lines depict unclaimed subject
matter only and form no part of the claimed design.

1 Claim, 2 Drawing Sheets



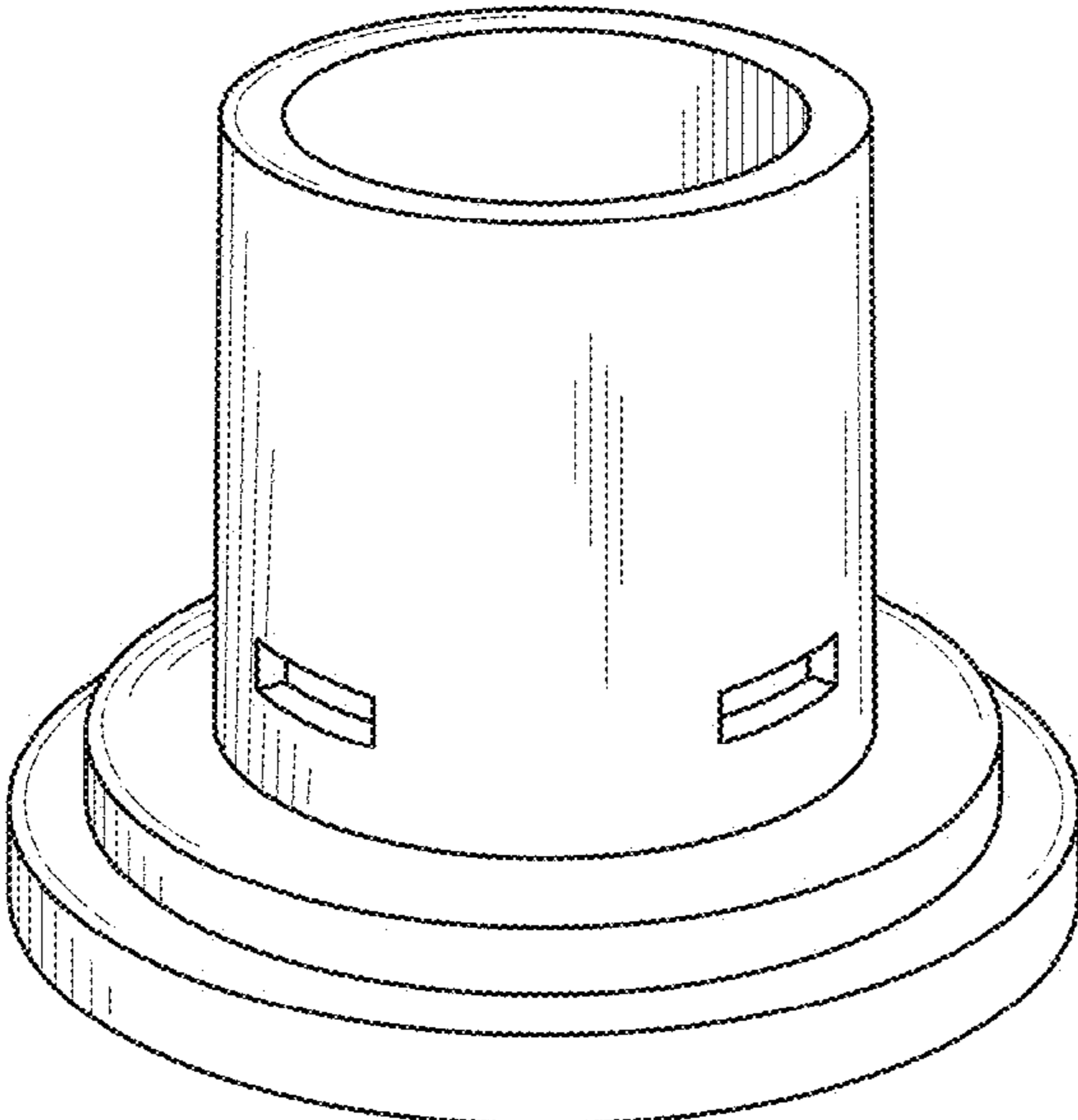


Fig. 1

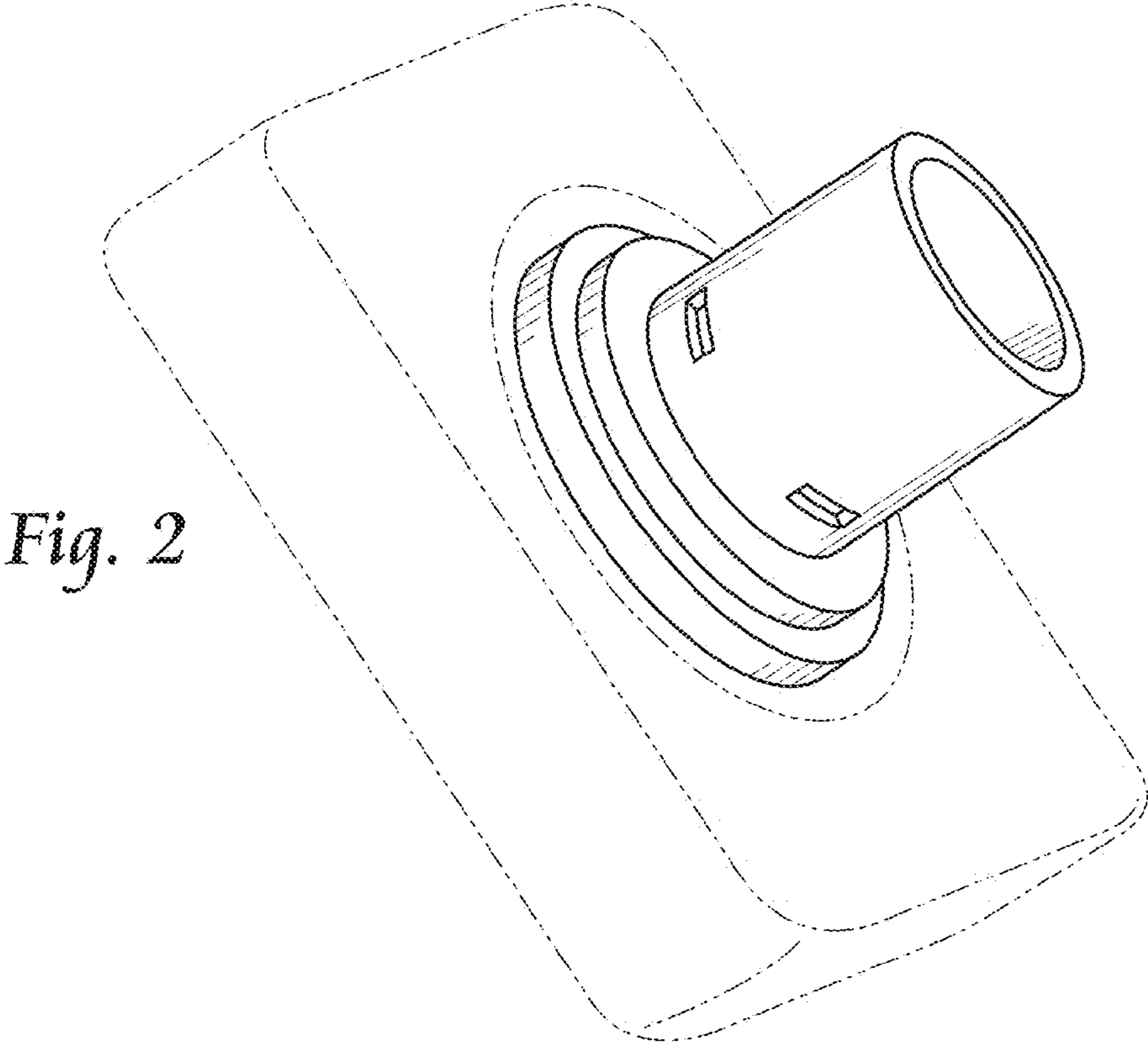


Fig. 2

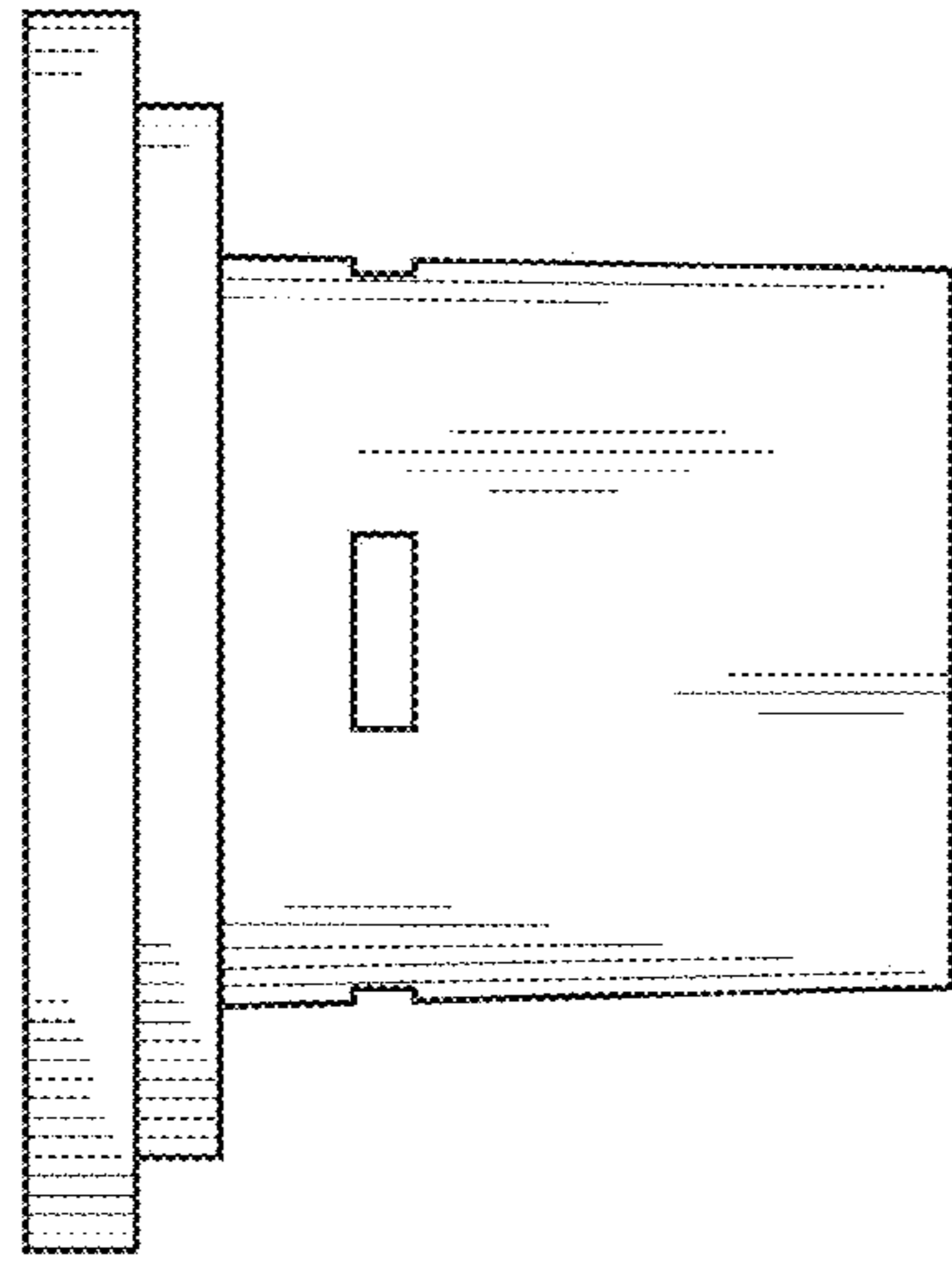


Fig. 3

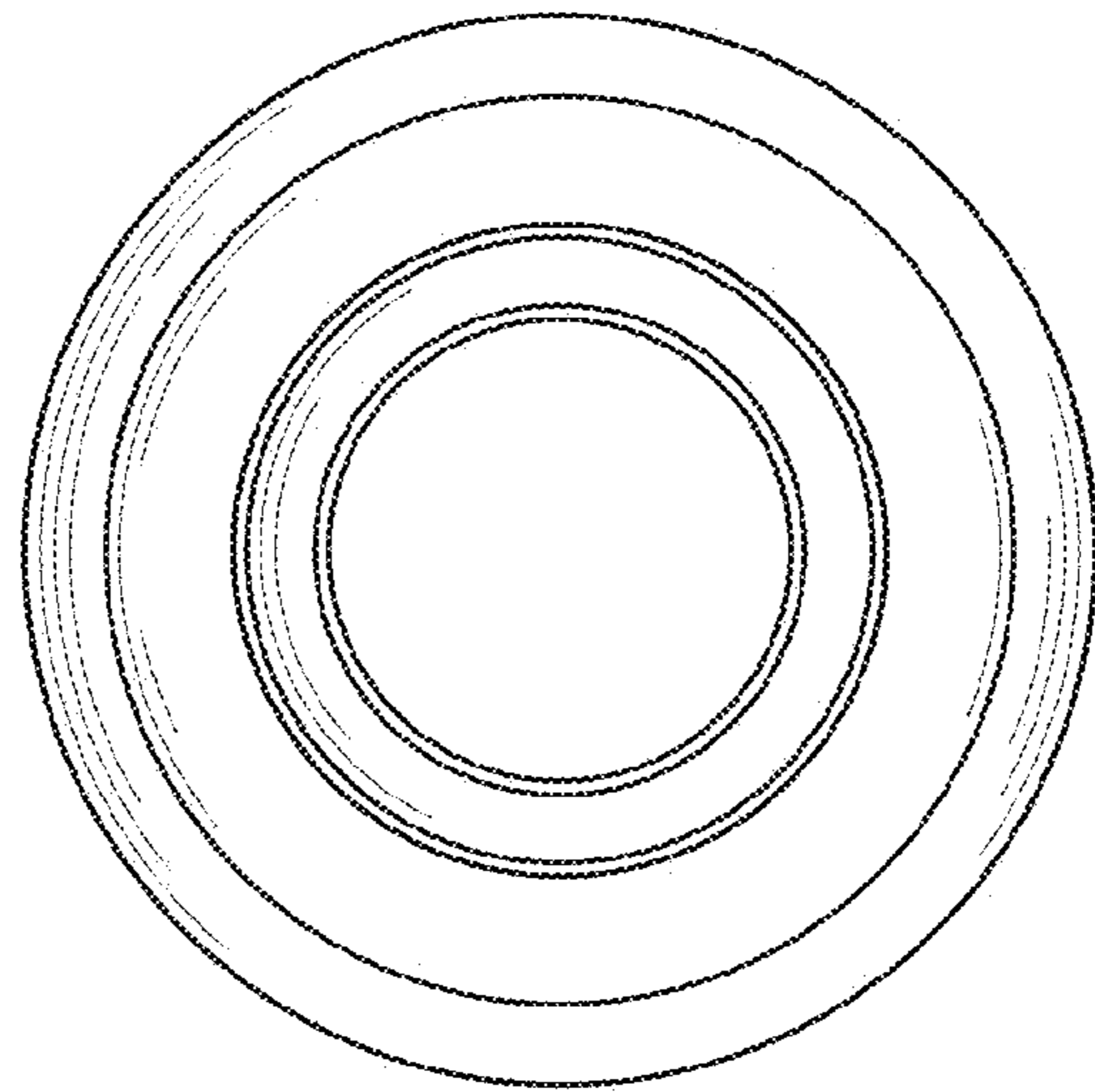


Fig. 4

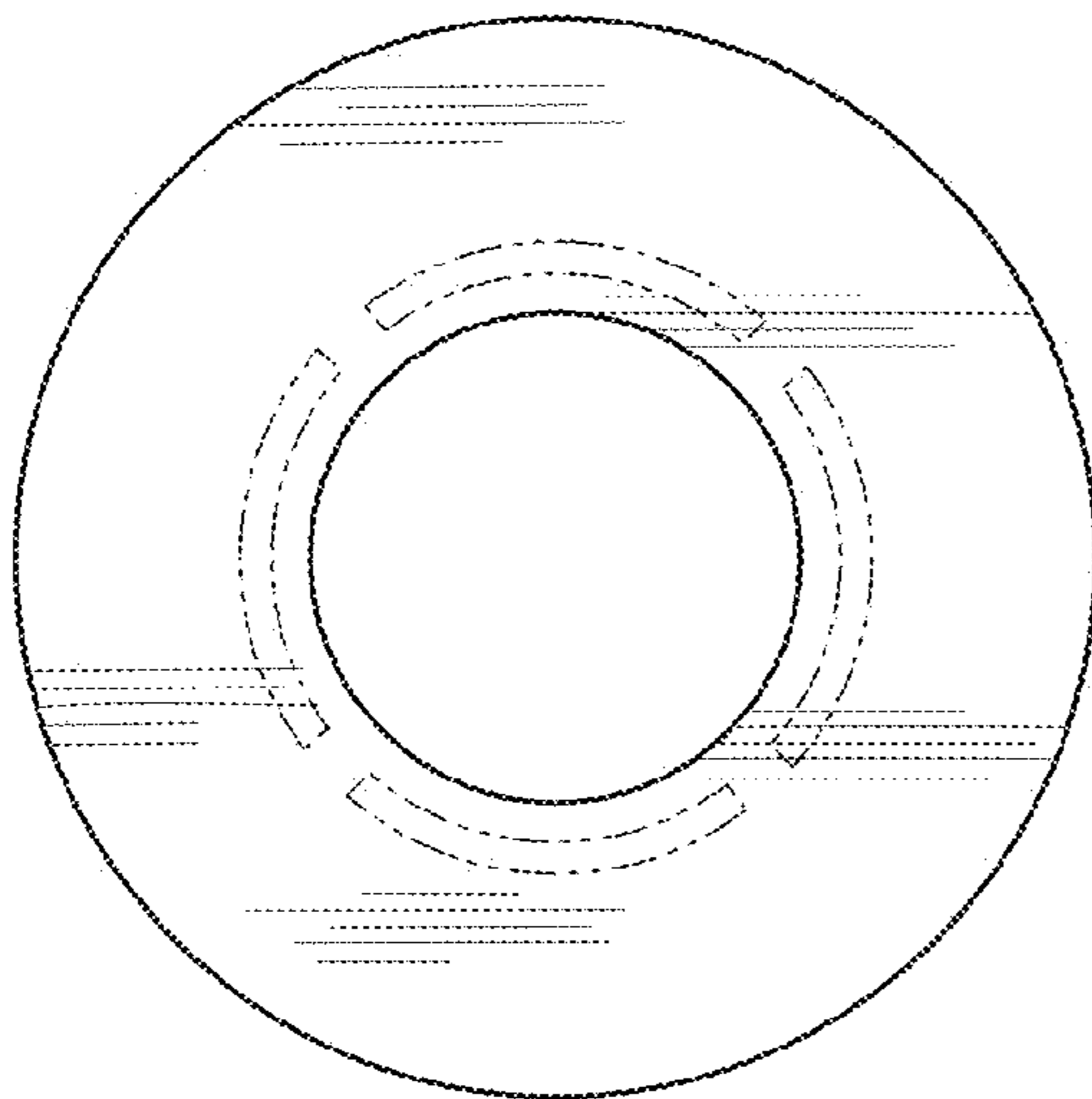


Fig. 5