



US00D740947S

(12) **United States Design Patent**
Tam et al.

(10) **Patent No.:** **US D740,947 S**
(45) **Date of Patent:** **** Oct. 13, 2015**

(54) **MICROSCOPE STAGE-TOP INCUBATOR SYSTEM**

(71) Applicant: **LIFE TECHNOLOGIES CORPORATION**, Carlsbad, CA (US)

(72) Inventors: **Terence Tam**, Redmond, WA (US); **Paul Boeschoten**, Redmond, WA (US); **Andrew Gunderson**, Bothell, WA (US)

(73) Assignee: **Life Technologies Corporation**, Carlsbad, CA (US)

(**) Term: **14 Years**

(21) Appl. No.: **29/454,759**

(22) Filed: **May 14, 2013**

(51) **LOC (10) Cl.** **24-01**

(52) **U.S. Cl.**
USPC **D24/163**

(58) **Field of Classification Search**
USPC D24/163, 216, 223–225, 231, 232;
D10/81; D16/130, 131; 422/500, 547,
422/62–65, 67; 435/287.1, 287.3, 303.1;
436/43, 45, 47; 359/391, 395
See application file for complete search history.

(56) **References Cited**

U.S. PATENT DOCUMENTS

2,440,472	A	*	4/1948	Horner et al.	435/303.1
D297,564	S	*	9/1988	Yamamoto et al.	D24/232
D333,187	S	*	2/1993	Omi	D24/225
D342,792	S	*	12/1993	Charm et al.	D24/232
D473,318	S	*	4/2003	Barbera-Guillem	D24/216
D653,274	S	*	1/2012	Brooker et al.	D16/131

D672,800	S	*	12/2012	Muraki et al.	D16/131
D681,843	S	*	5/2013	Nemeth	D24/224
D684,274	S	*	6/2013	Hosoya et al.	D24/224
D697,118	S	*	1/2014	Okuyama et al.	D16/131
D698,938	S	*	2/2014	Fonseca	D24/224
D704,854	S	*	5/2014	Wainwright et al.	D24/216
8,822,204	B2	*	9/2014	Tsuchiya	359/395
2005/0248836	A1	*	11/2005	Tsuchiya	359/368

OTHER PUBLICATIONS

Okolab, “Bold line stage incubator data sheet”, 2012, pp. 1-4.
Tokai Hit®, “Stage Top Incubator® Brochure”, 2011, pp. 1-16.

* cited by examiner

Primary Examiner — Anhdao Doan

(74) *Attorney, Agent, or Firm* — Life Technologies Corporation

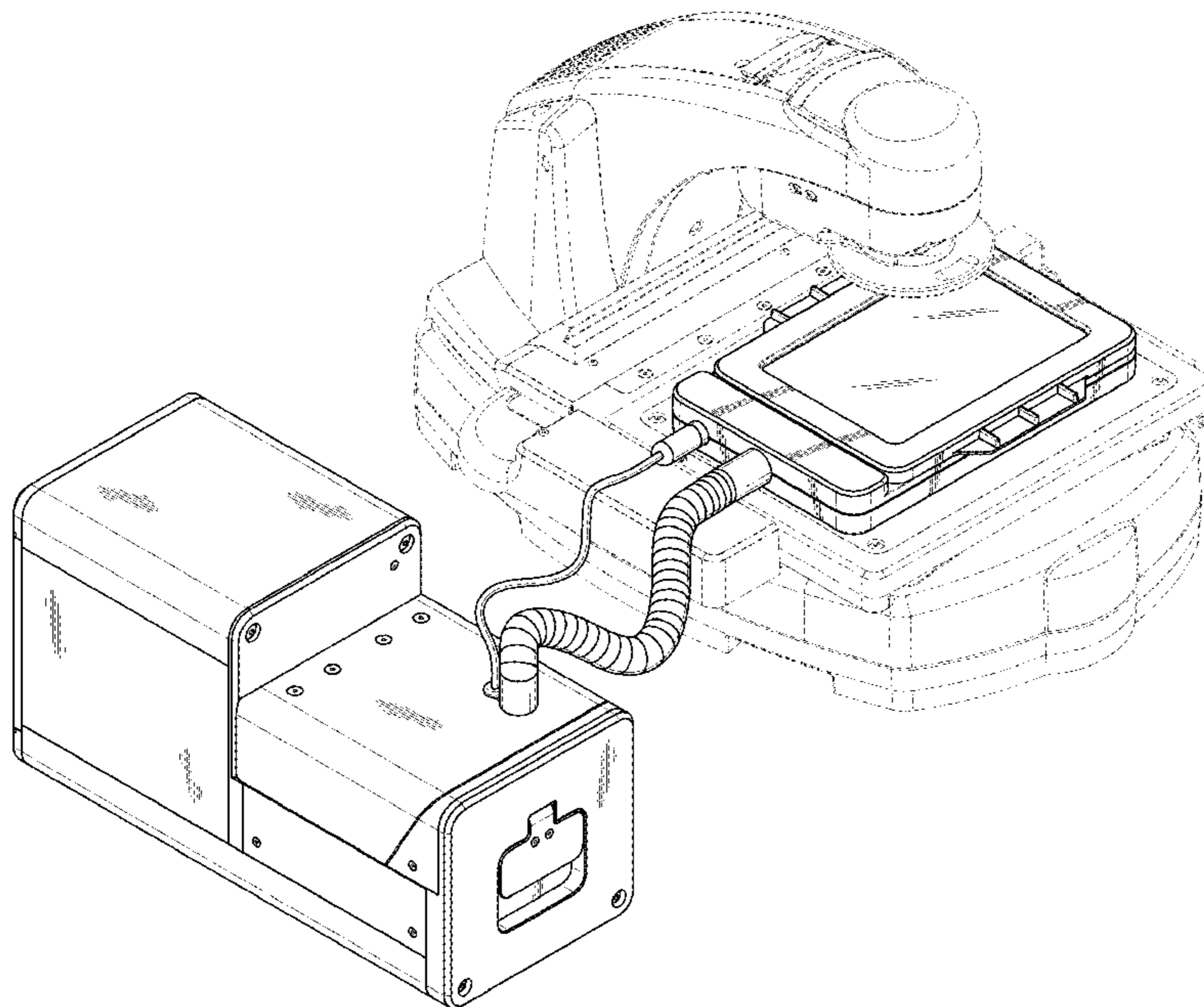
(57) **CLAIM**

The ornamental design for a microscope stage-top incubator system, as shown and described.

DESCRIPTION

FIG. 1 is a front, top perspective view of a first embodiment of a microscope stage-top incubator system of our new design; FIG. 2 is a front view thereof; FIG. 3 is a left side view thereof; FIG. 4 is a front, top perspective view of a second embodiment of a microscope stage top incubator system of our new design; FIG. 5 is a front view thereof; and, FIG. 6 is a left side view thereof.
The broken lines represent unclaimed portions of the microscope stage-top incubator system and form no part of the claimed design.

1 Claim, 6 Drawing Sheets



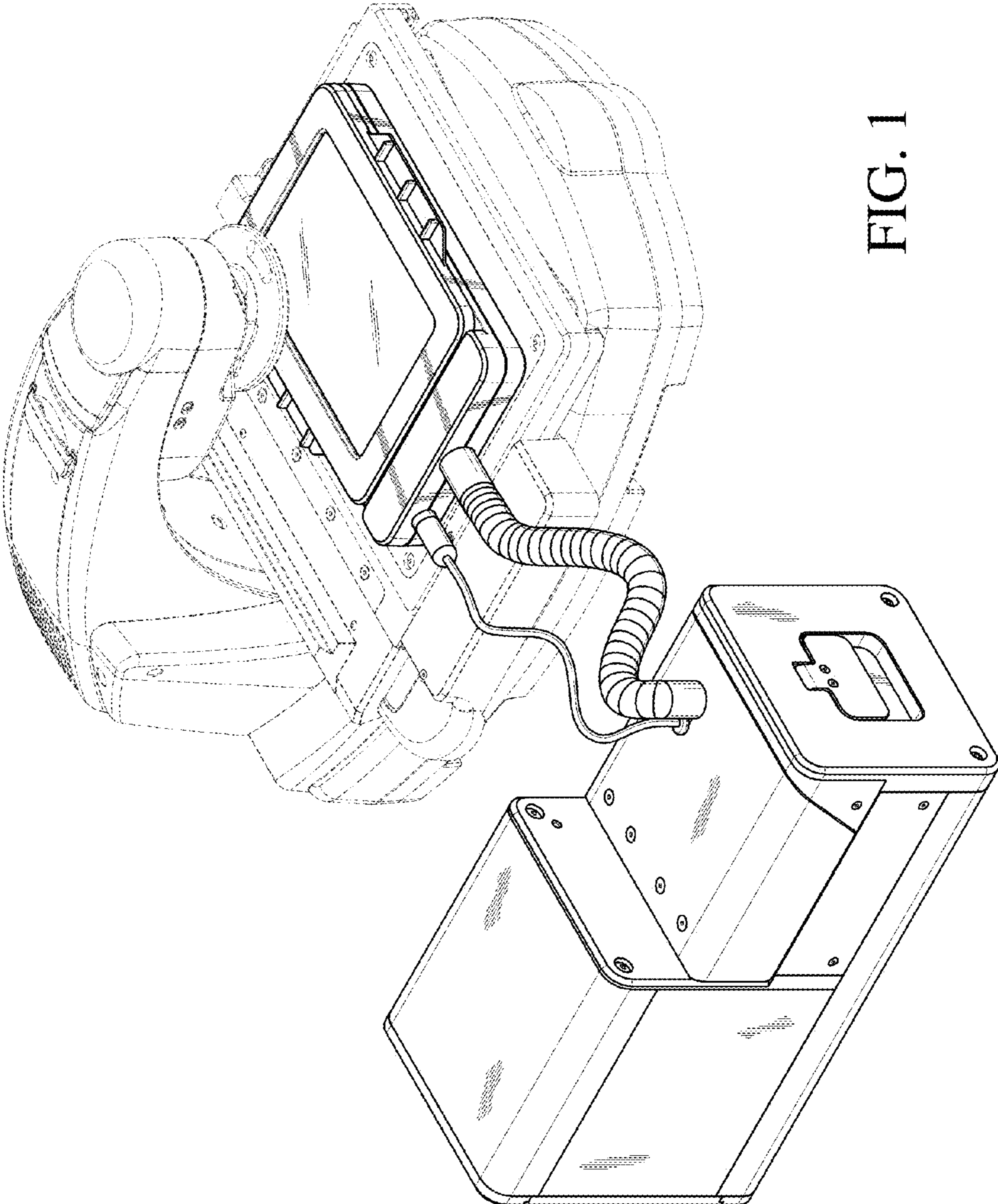


FIG. 1

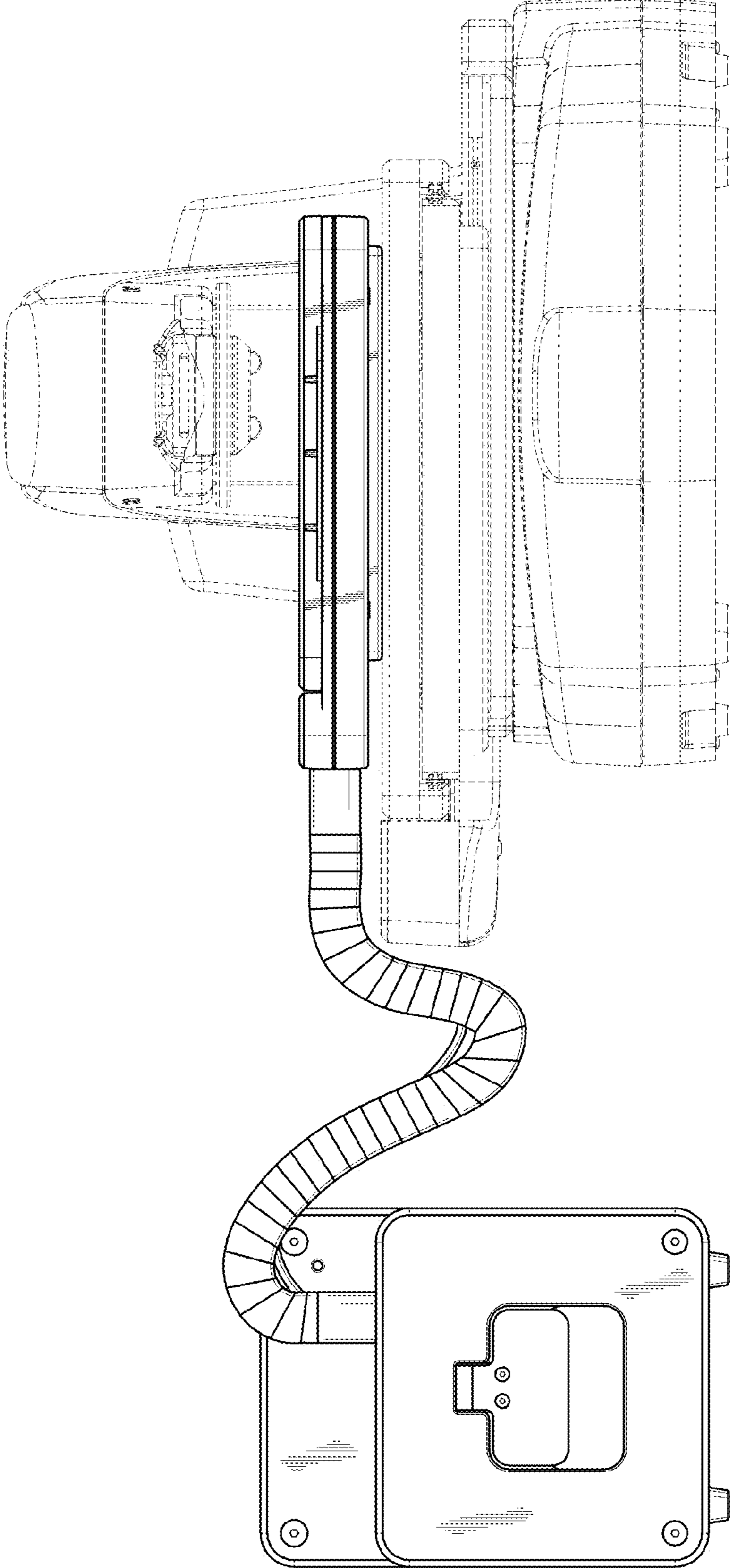


FIG. 2

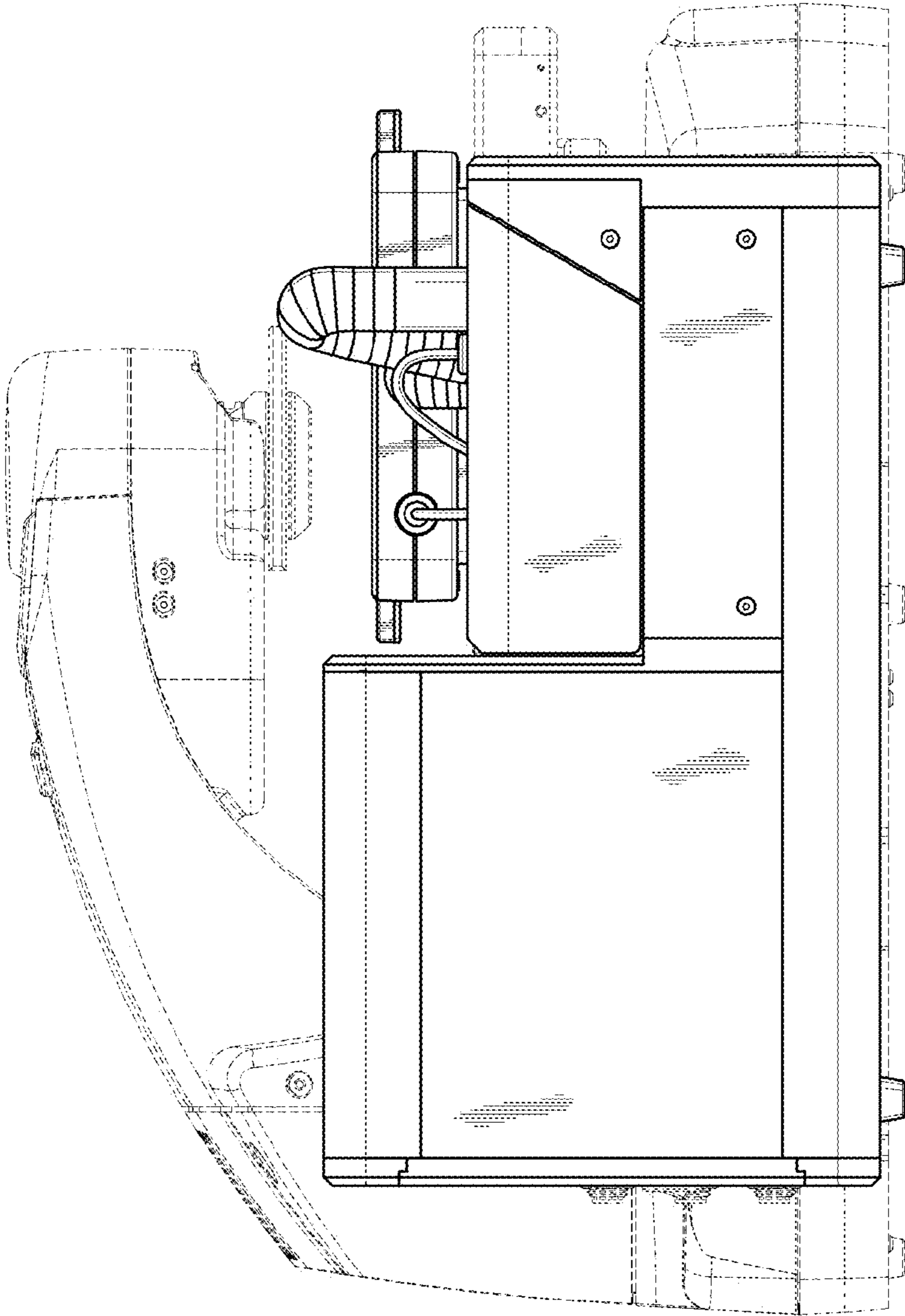


FIG. 3

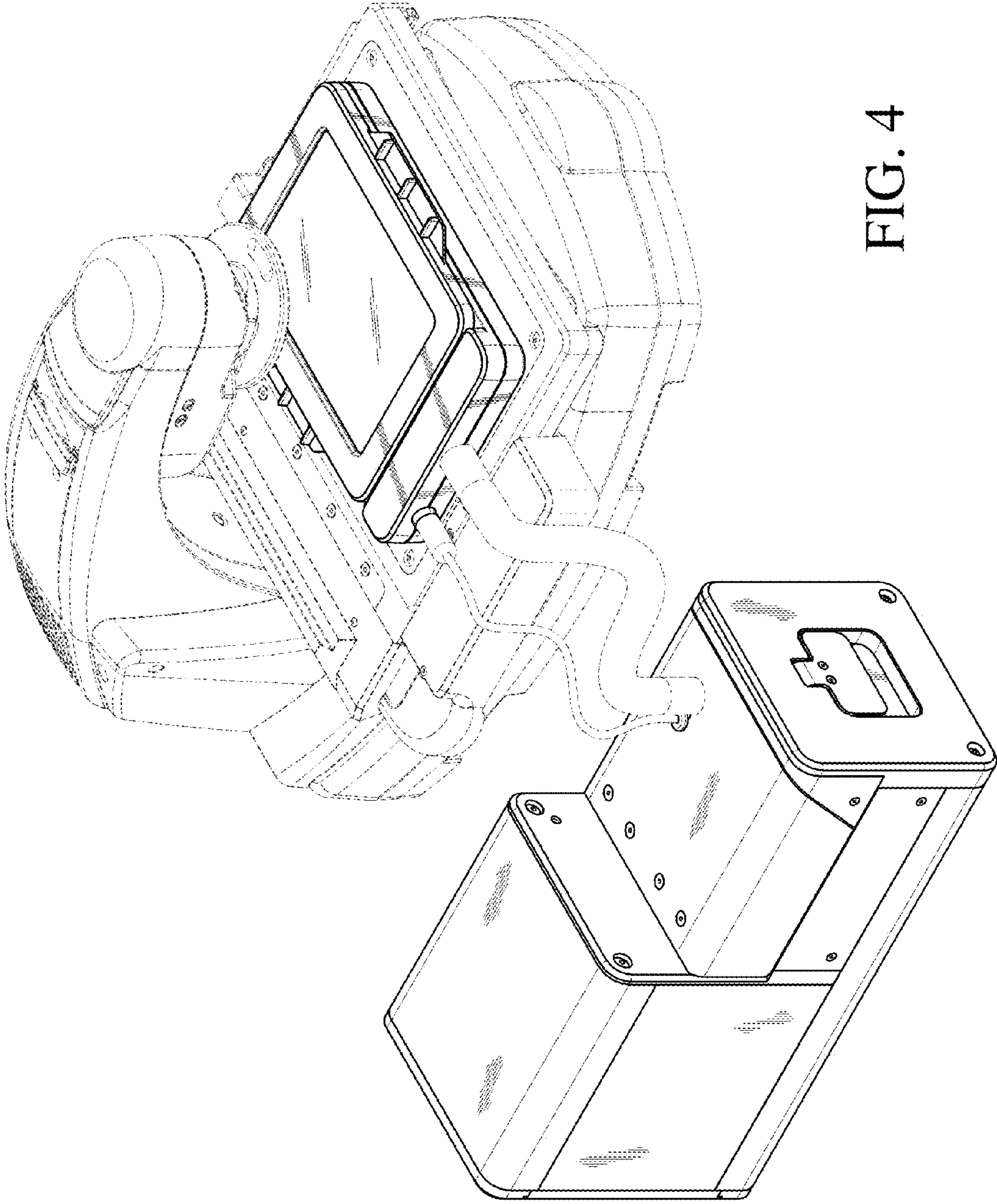


FIG. 4

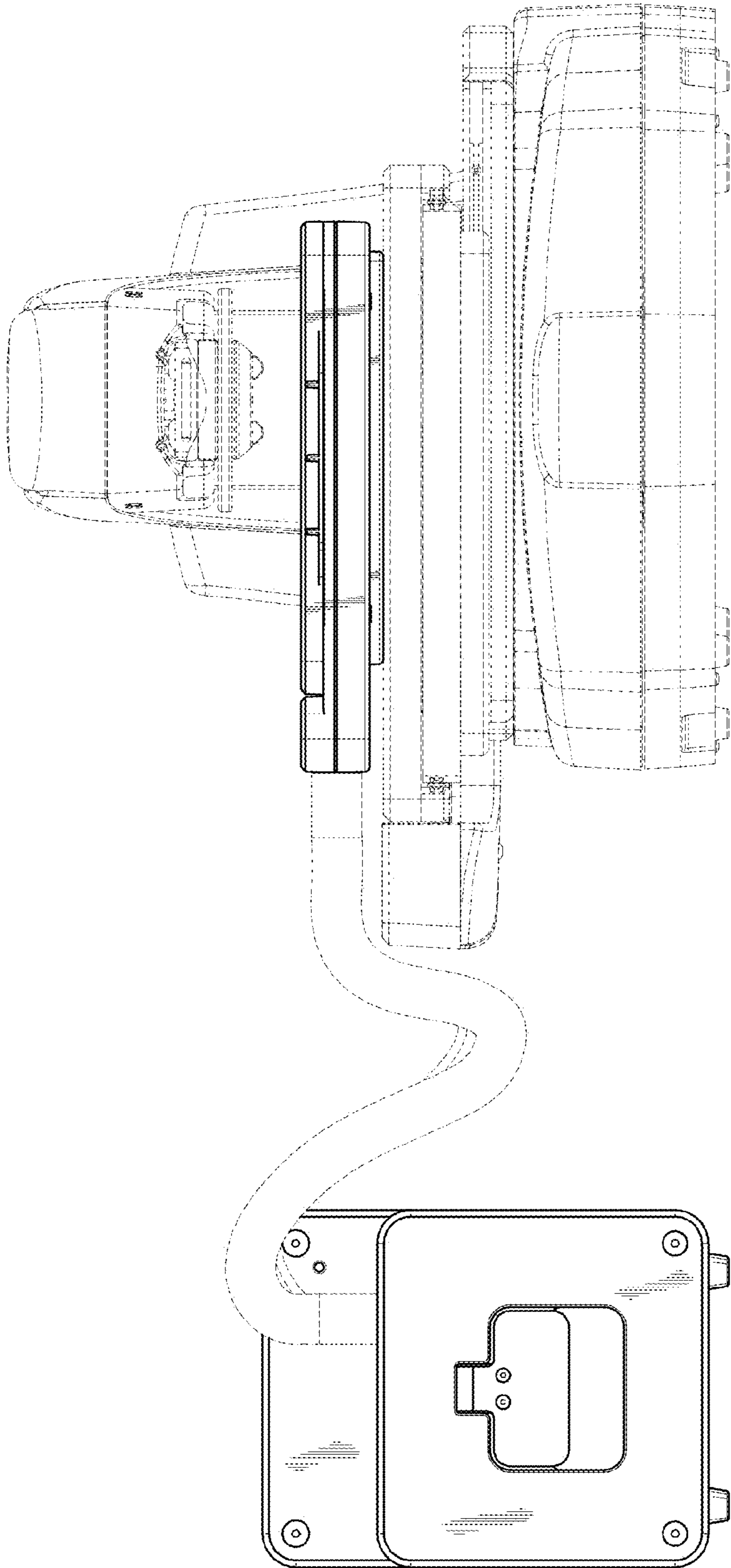


FIG. 5

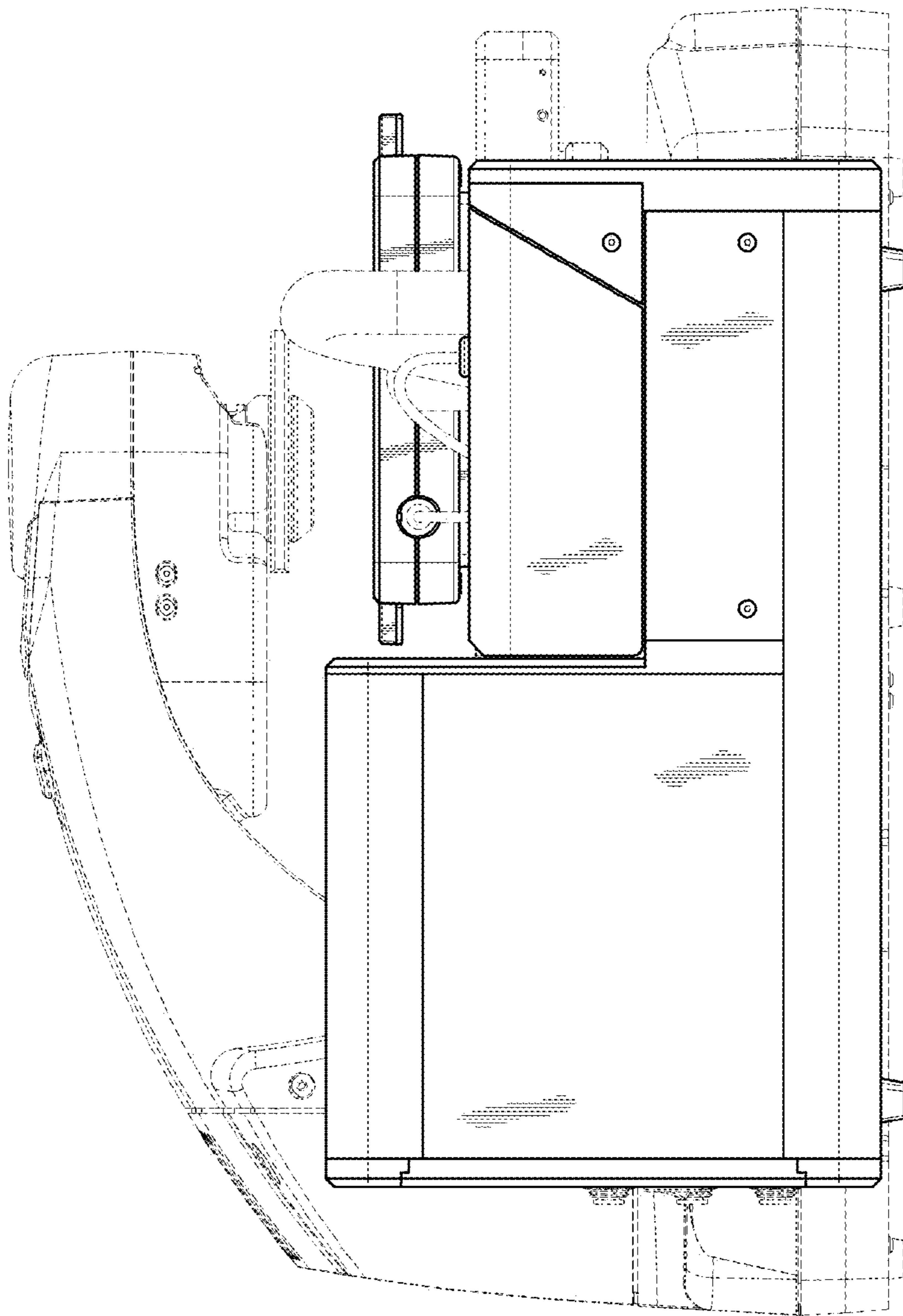


FIG. 6