



US00D740945S

(12) **United States Design Patent**  
**Booth et al.**

(10) **Patent No.:** **US D740,945 S**

(45) **Date of Patent:** **\*\* Oct. 13, 2015**

(54) **HANDHELD SCANNER**

(56) **References Cited**

(71) Applicants: **Jamie Stewart Booth**, Auckland (NZ);  
**Michael David John Bryce**, Kaiapoi  
(NZ); **Bruce Leslie Keith Davey**,  
Christchurch (NZ); **Mark Arthur**  
**Nixon**, Christchurch (NZ)

U.S. PATENT DOCUMENTS

D315,901	S	*	4/1991	Knowles	.....	D14/428
D393,068	S	*	3/1998	Isshiki	.....	D24/158
D394,316	S	*	5/1998	Kodama et al.	.....	D24/158
D533,555	S	*	12/2006	Odhe et al.	.....	D14/420
7,916,834	B2	*	3/2011	Piorek et al.	.....	378/102
D697,210	S	*	1/2014	Delaney et al.	.....	D24/158
D714,940	S	*	10/2014	Kim	.....	D24/158
D724,216	S	*	3/2015	Gant et al.	.....	D24/158
2010/0278312	A1	*	11/2010	Ortiz	.....	378/195
2014/0048687	A1	*	2/2014	Drzymala et al.	.....	250/208.1

(72) Inventors: **Jamie Stewart Booth**, Auckland (NZ);  
**Michael David John Bryce**, Kaiapoi  
(NZ); **Bruce Leslie Keith Davey**,  
Christchurch (NZ); **Mark Arthur**  
**Nixon**, Christchurch (NZ)

\* cited by examiner

(73) Assignee: **ARANZ HEALTHCARE LIMITED**,  
Christchurch (NZ)

*Primary Examiner* — Anhdao Doan

(74) *Attorney, Agent, or Firm* — Blakely Sokoloff Taylor &  
Zafman

(\*\*) Term: **14 Years**

(57) **CLAIM**

The ornamental design for a handheld scanner, as shown and  
described.

(21) Appl. No.: **29/507,936**

**DESCRIPTION**

(22) Filed: **Oct. 31, 2014**

(51) **LOC (10) Cl.** ..... **24-01**

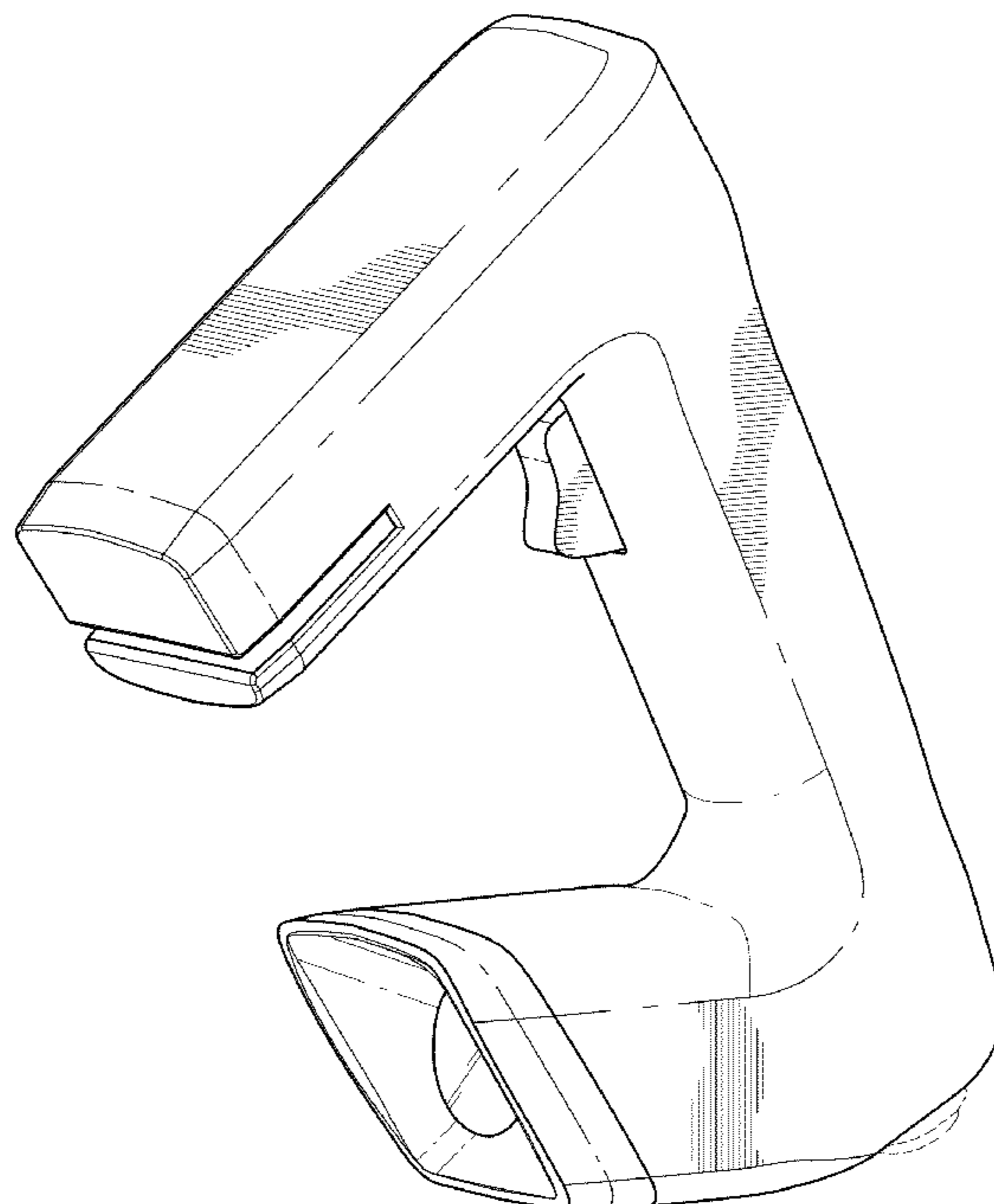
(52) **U.S. Cl.**  
USPC ..... **D24/158**

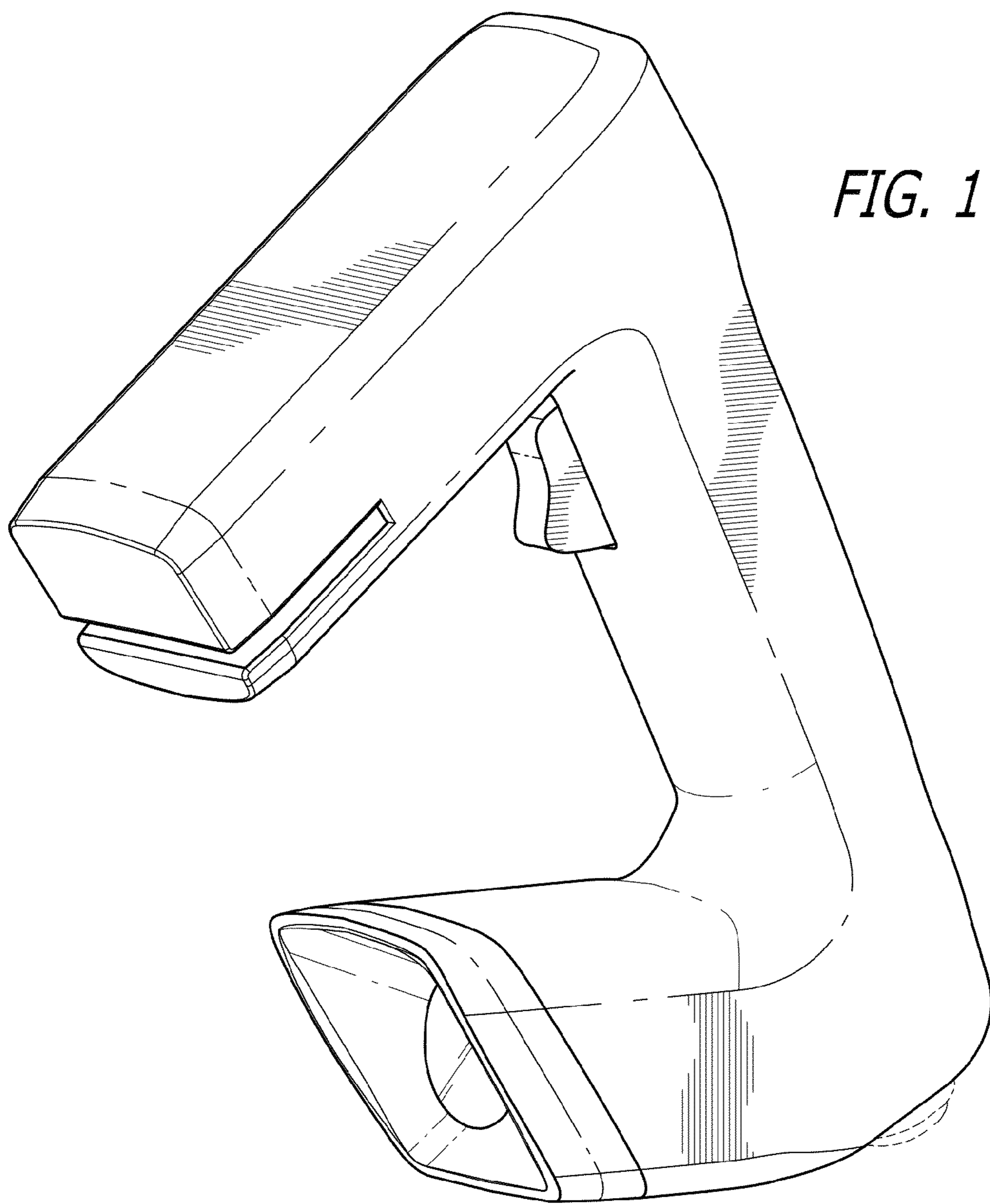
(58) **Field of Classification Search**  
USPC ..... D24/158-161, 185, 186; D14/426, 428,  
D14/430; D16/232; 378/86-89, 102;  
235/462.45, 472.01

FIG. 1 is a first perspective view of a handheld scanner.  
FIG. 2 is a second perspective view of the handheld scanner.  
FIG. 3 is a left side view of the handheld scanner.  
FIG. 4 is a right side view of the handheld scanner.  
FIG. 5 is a front view of the handheld scanner.  
FIG. 6 is a rear view of the handheld scanner.  
FIG. 7 is a top view of the handheld scanner; and,  
FIG. 8 is a bottom view of the handheld scanner.

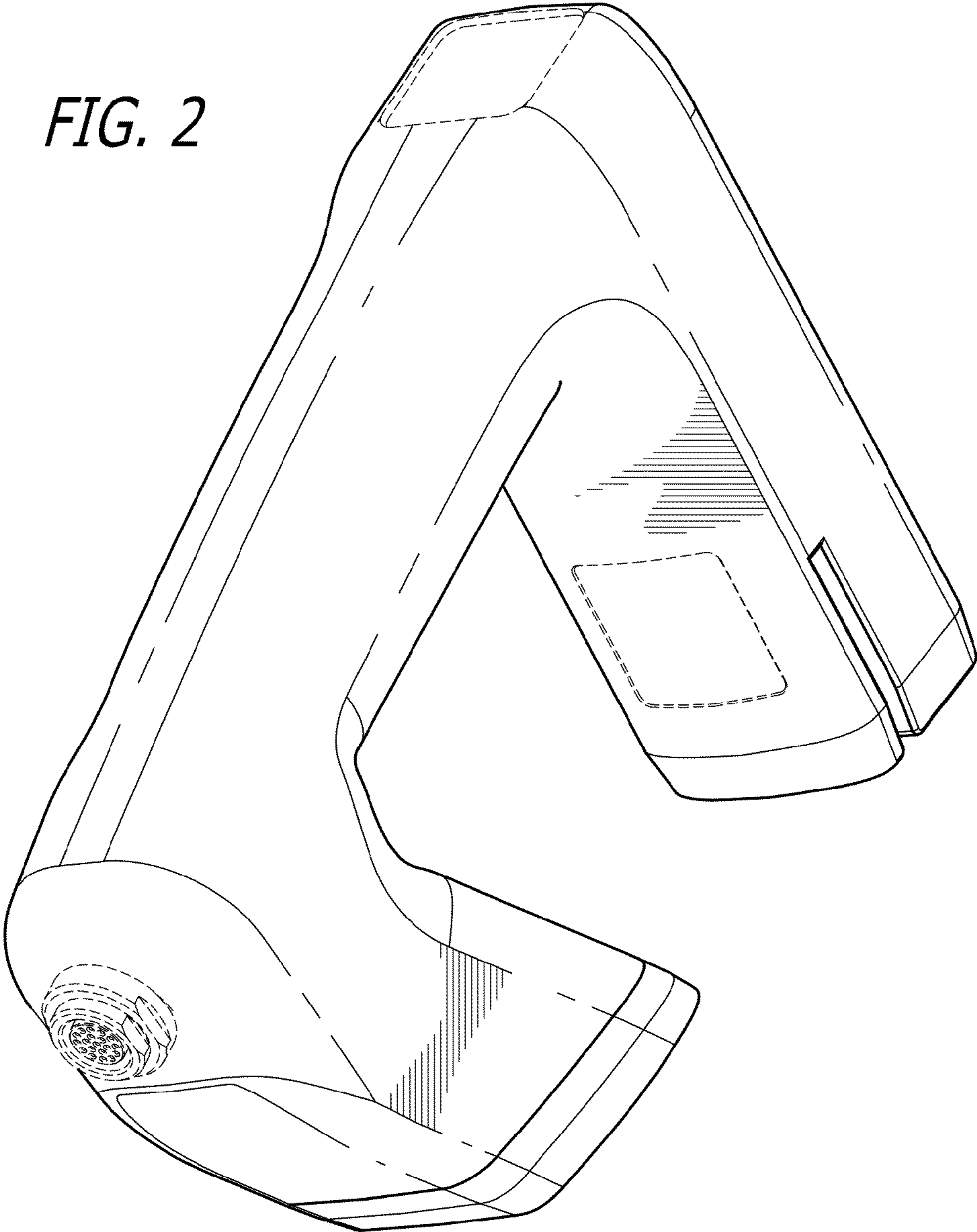
CPC ..... G06K 2007/10524; G06K 7/10881  
See application file for complete search history.

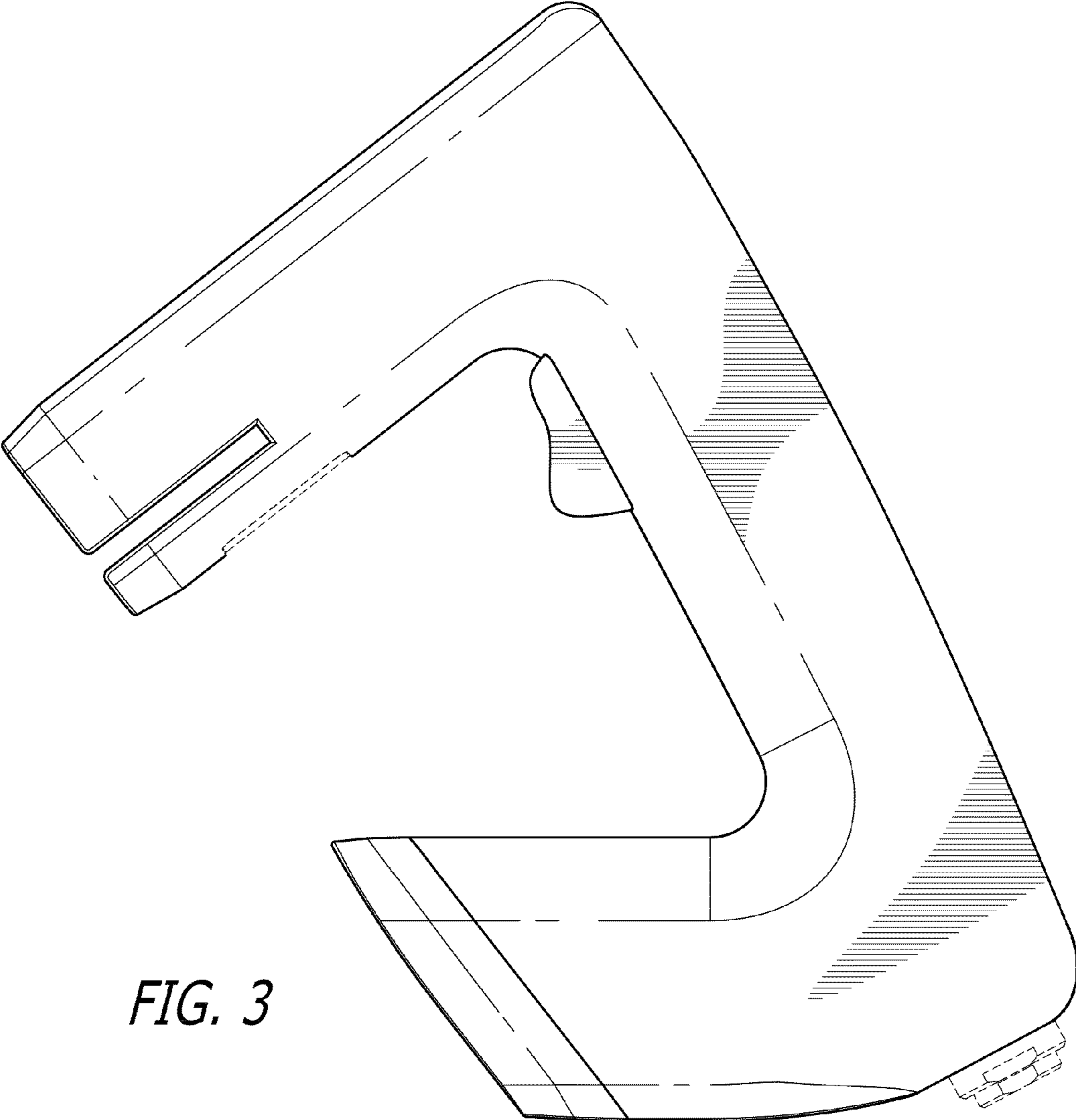
**1 Claim, 6 Drawing Sheets**





*FIG. 2*





*FIG. 3*

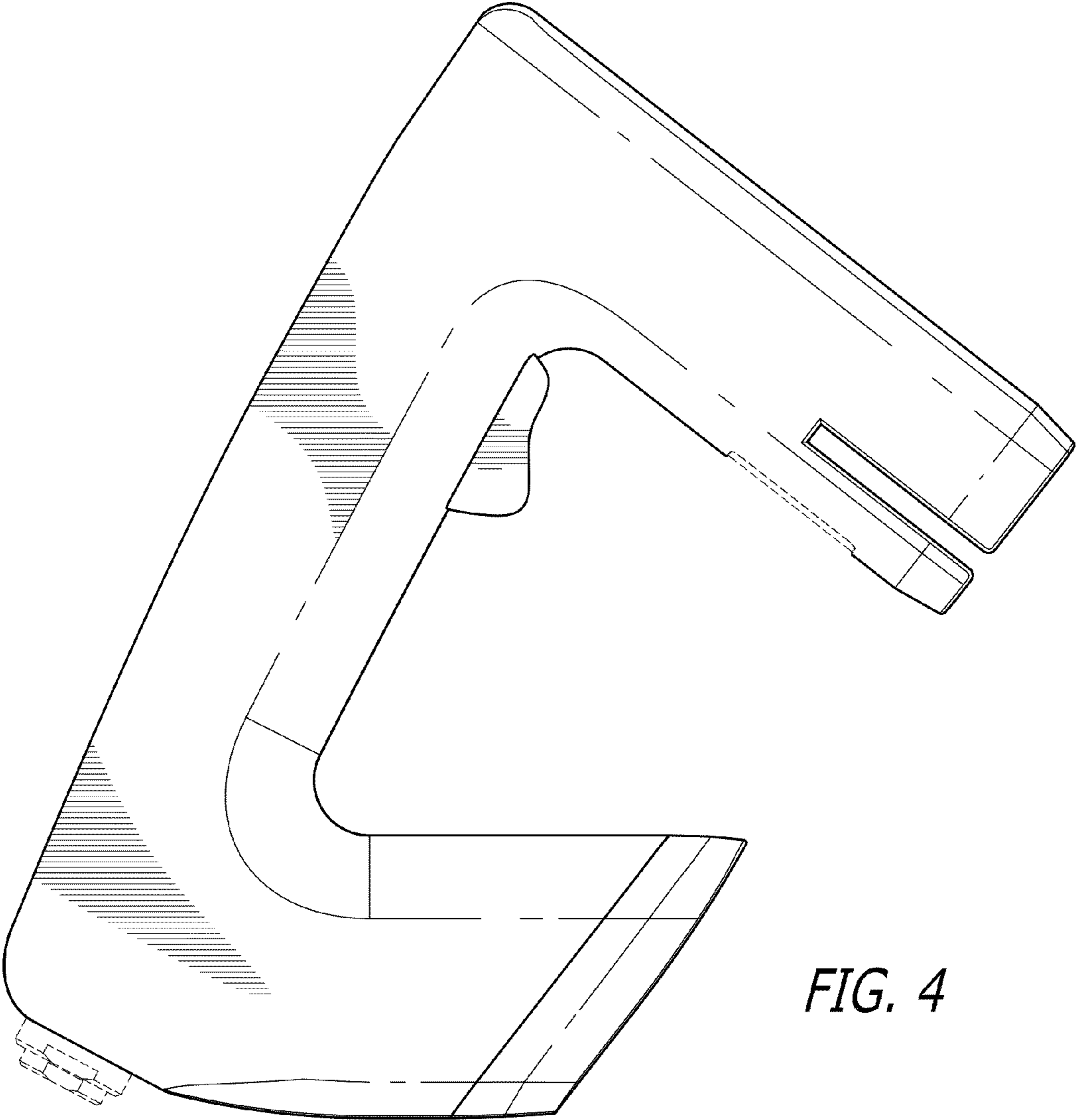
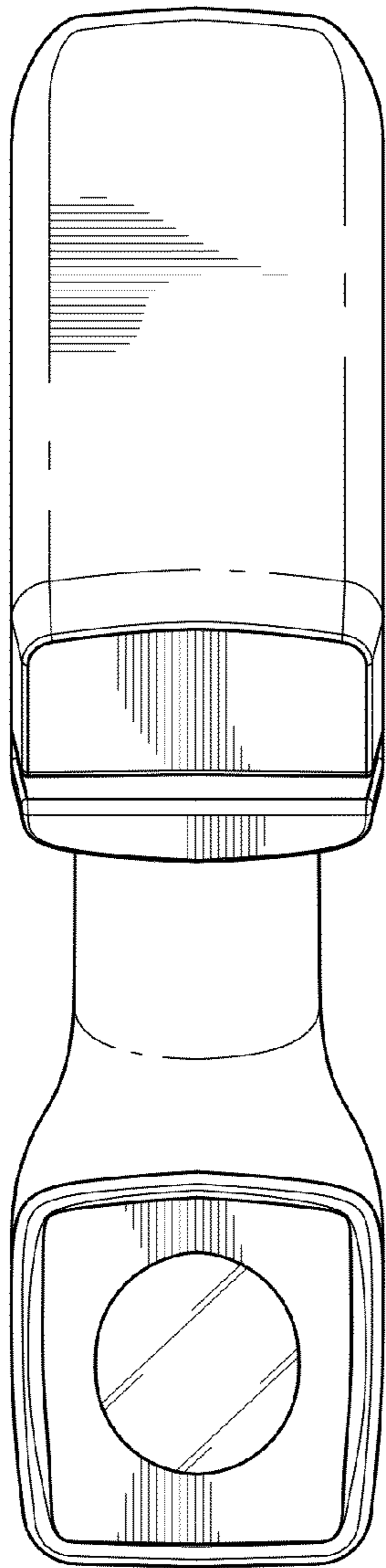
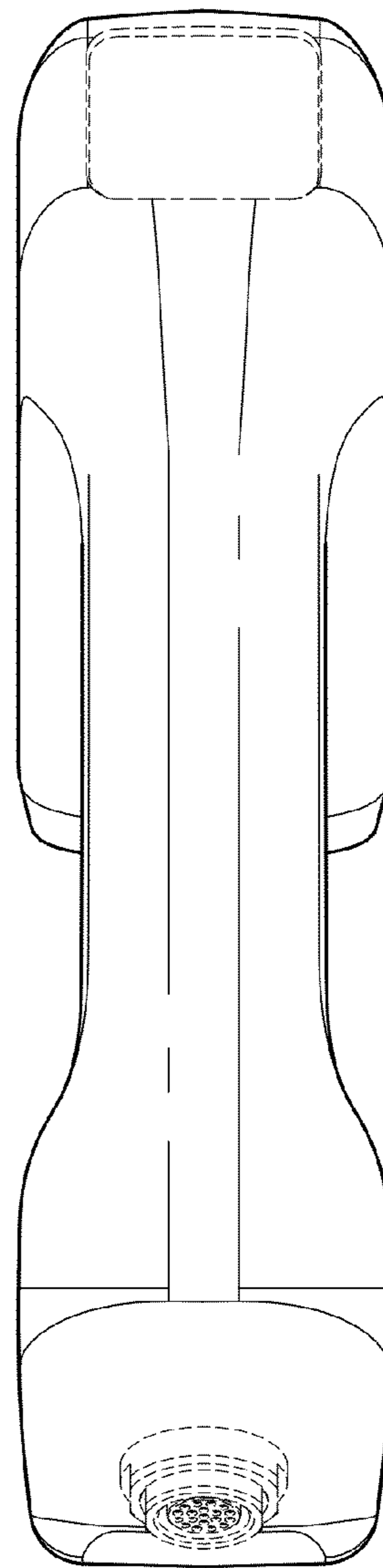


FIG. 4



*FIG. 5*



*FIG. 6*

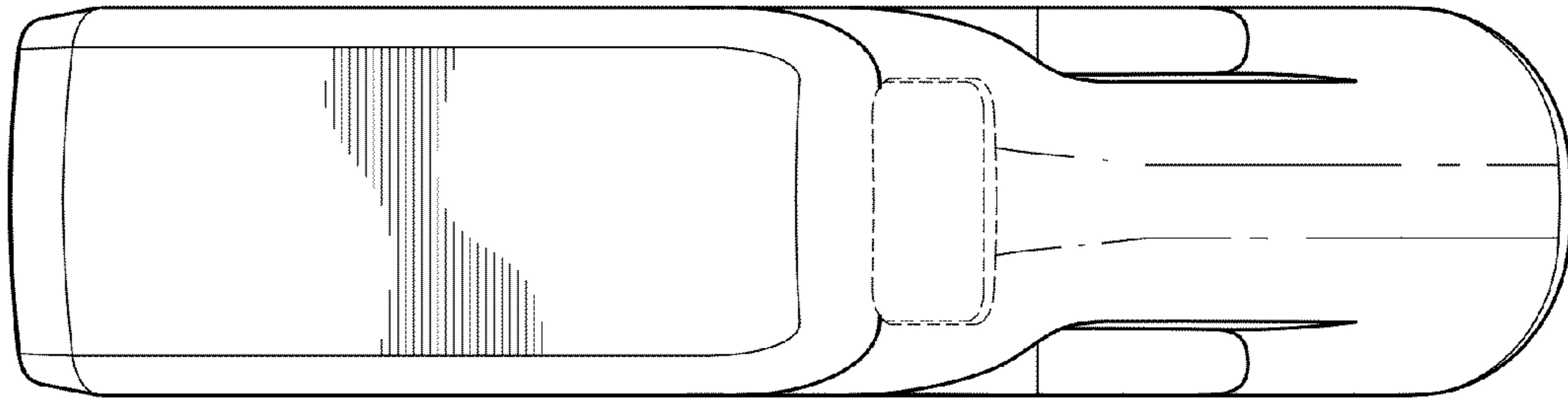


FIG. 7

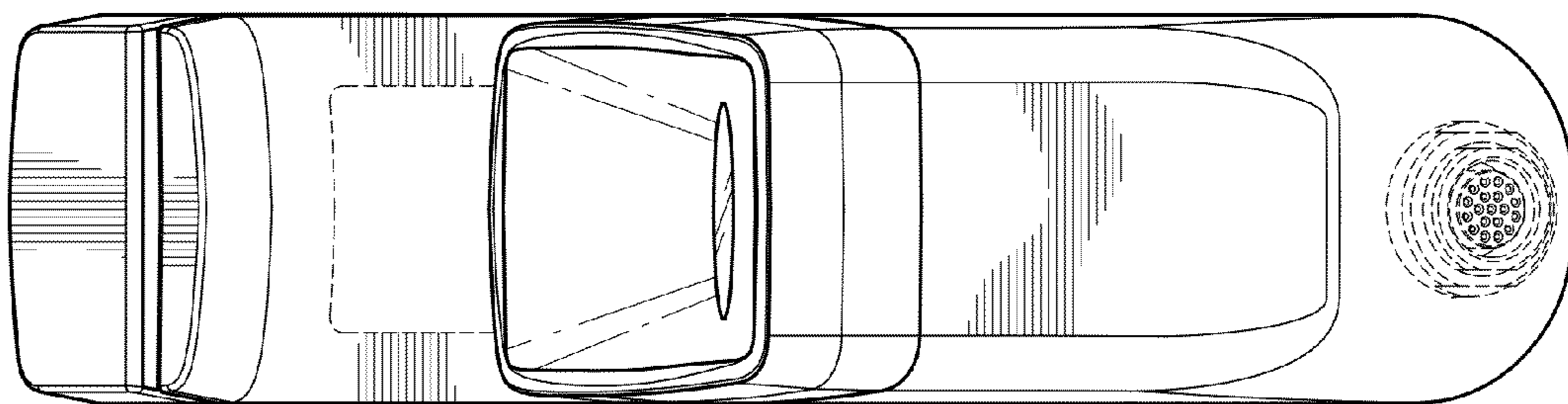


FIG. 8