



US00D740944S

(12) **United States Design Patent**
Zhao

(10) **Patent No.:** **US D740,944 S**

(45) **Date of Patent:** **** Oct. 13, 2015**

(54) **NUCLEAR MAGNETIC RESONANCE SYSTEM**

(71) Applicant: **JIANGSU MAGSPIN INSTRUMENT CO., LTD**, Yushan Town, Kunshan Jiangsu Province (CN)

(72) Inventor: **Huawei Zhao**, Yushan (CN)

(73) Assignee: **Jiangsu Magspin Instrument Co., Ltd.**, Jiangsu Province (CN)

(**) Term: **14 Years**

(21) Appl. No.: **29/476,456**

(22) Filed: **Dec. 13, 2013**

(30) **Foreign Application Priority Data**

Nov. 14, 2013 (CN) 2013 3 0544980

(51) **LOC (10) Cl.** **24-01**

(52) **U.S. Cl.**
USPC **D24/158**

(58) **Field of Classification Search**
USPC D24/158-161, 185, 186; 378/4, 21-27, 378/38, 40, 102, 196-198; 600/410, 422
CPC A61B 5/05; A61B 5/055
See application file for complete search history.

(56) **References Cited**

U.S. PATENT DOCUMENTS

4,852,134 A *	7/1989	Kinanen et al.	378/21
D474,277 S *	5/2003	Juni	D24/158
D492,998 S *	7/2004	Juni	D24/158
D549,340 S *	8/2007	Wang et al.	D24/158
D614,774 S *	4/2010	Gausmann et al.	D24/160
D667,120 S *	9/2012	Personnelli	D24/159

* cited by examiner

Primary Examiner — Anhdao Doan

(74) *Attorney, Agent, or Firm* — Muncy, Geissler, Olds & Lowe, P.C.

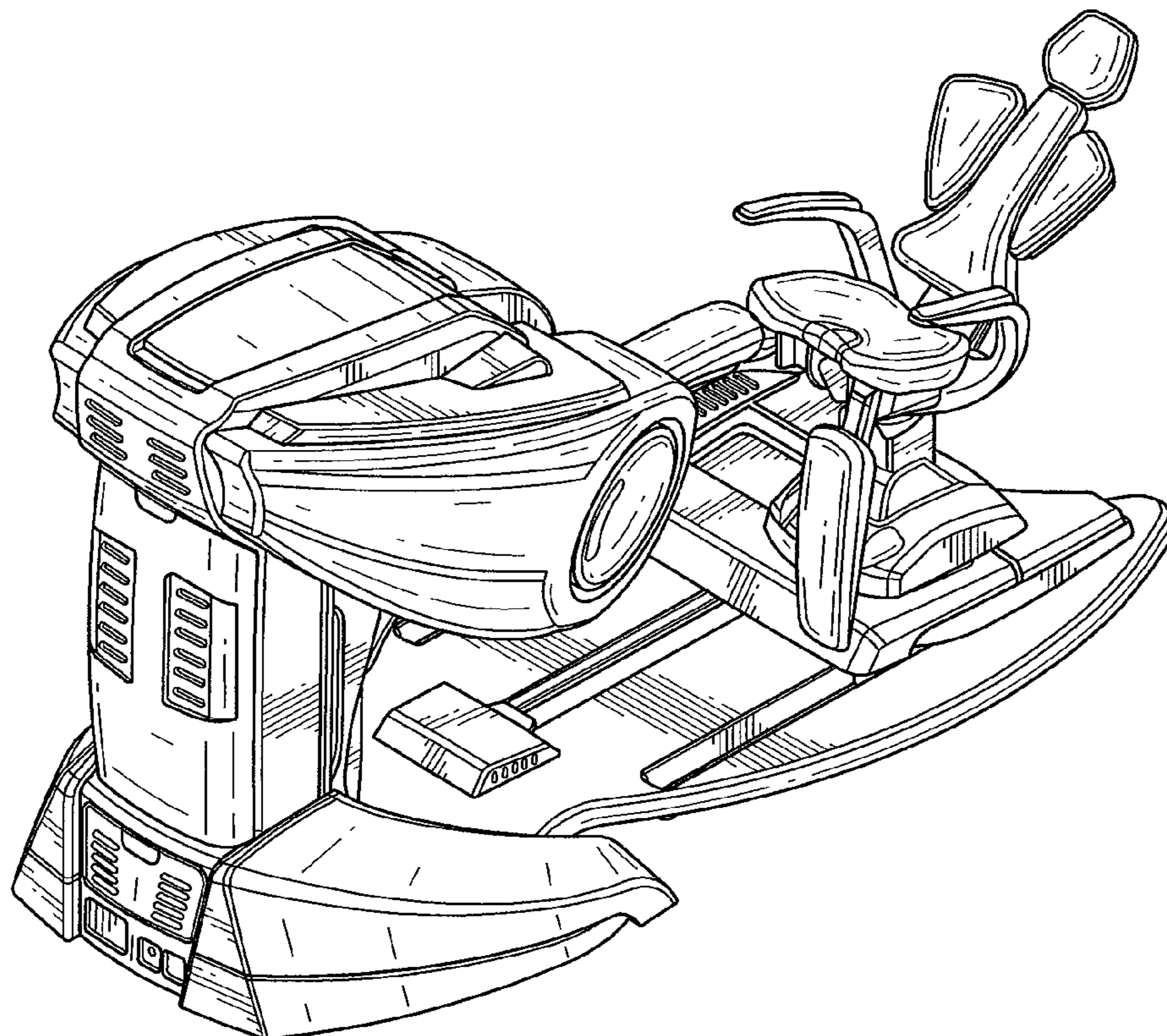
(57) **CLAIM**

The ornamental design for a nuclear magnetic resonance system, as shown and described.

DESCRIPTION

FIG. 1 is a front perspective view of a nuclear magnetic resonance system showing my new design; FIG. 2 is a rear perspective view thereof; FIG. 3 is a front elevational view thereof; FIG. 4 is a rear elevational view thereof; FIG. 5 is a left side view thereof; FIG. 6 is a right side view thereof; FIG. 7 is a top plan view thereof; FIG. 8 is bottom plan view thereof; and, FIG. 9 is a second front perspective view thereof, showing the chair portion in an alternative position.

1 Claim, 7 Drawing Sheets



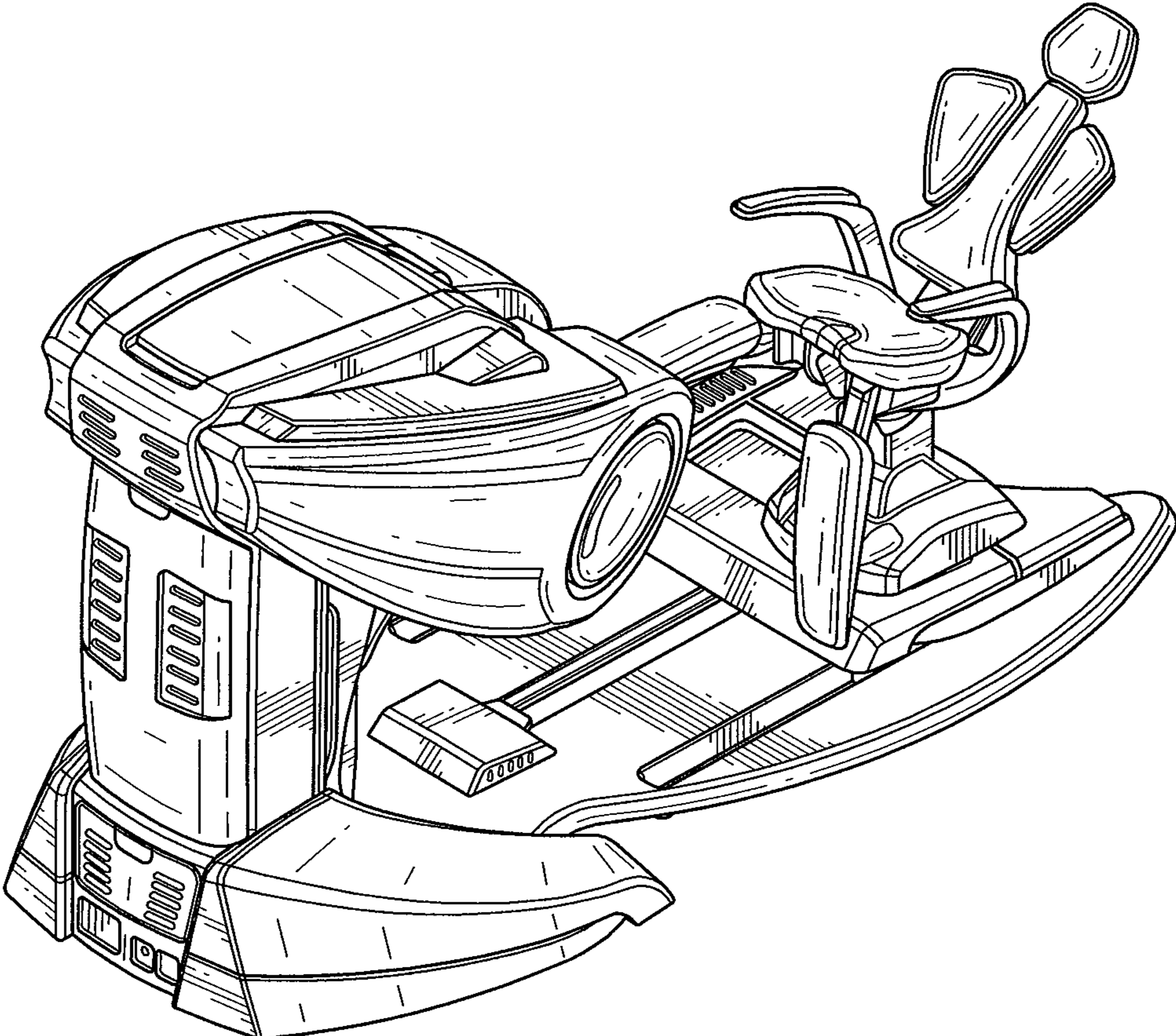


FIG.1

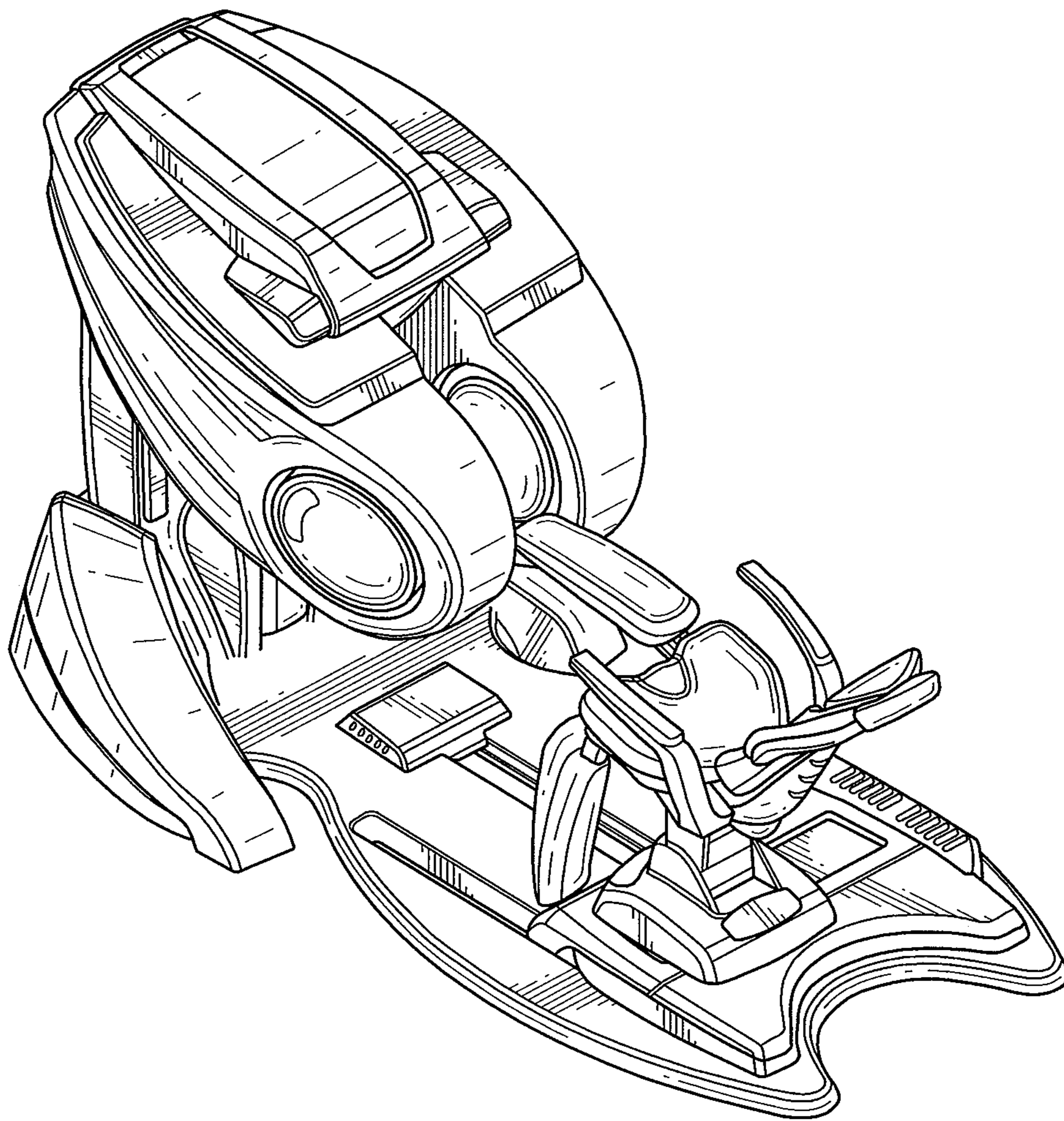


FIG.2

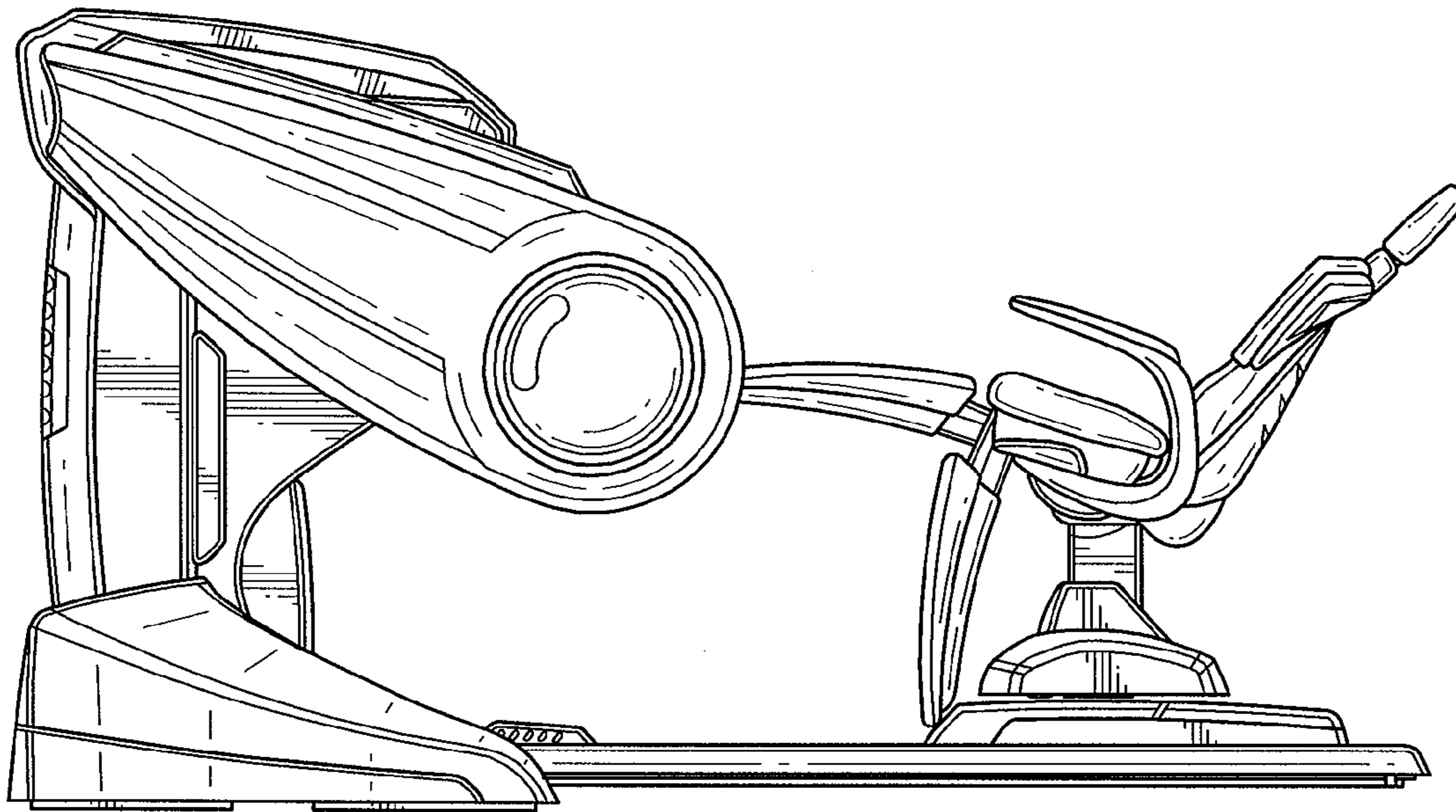


FIG.3

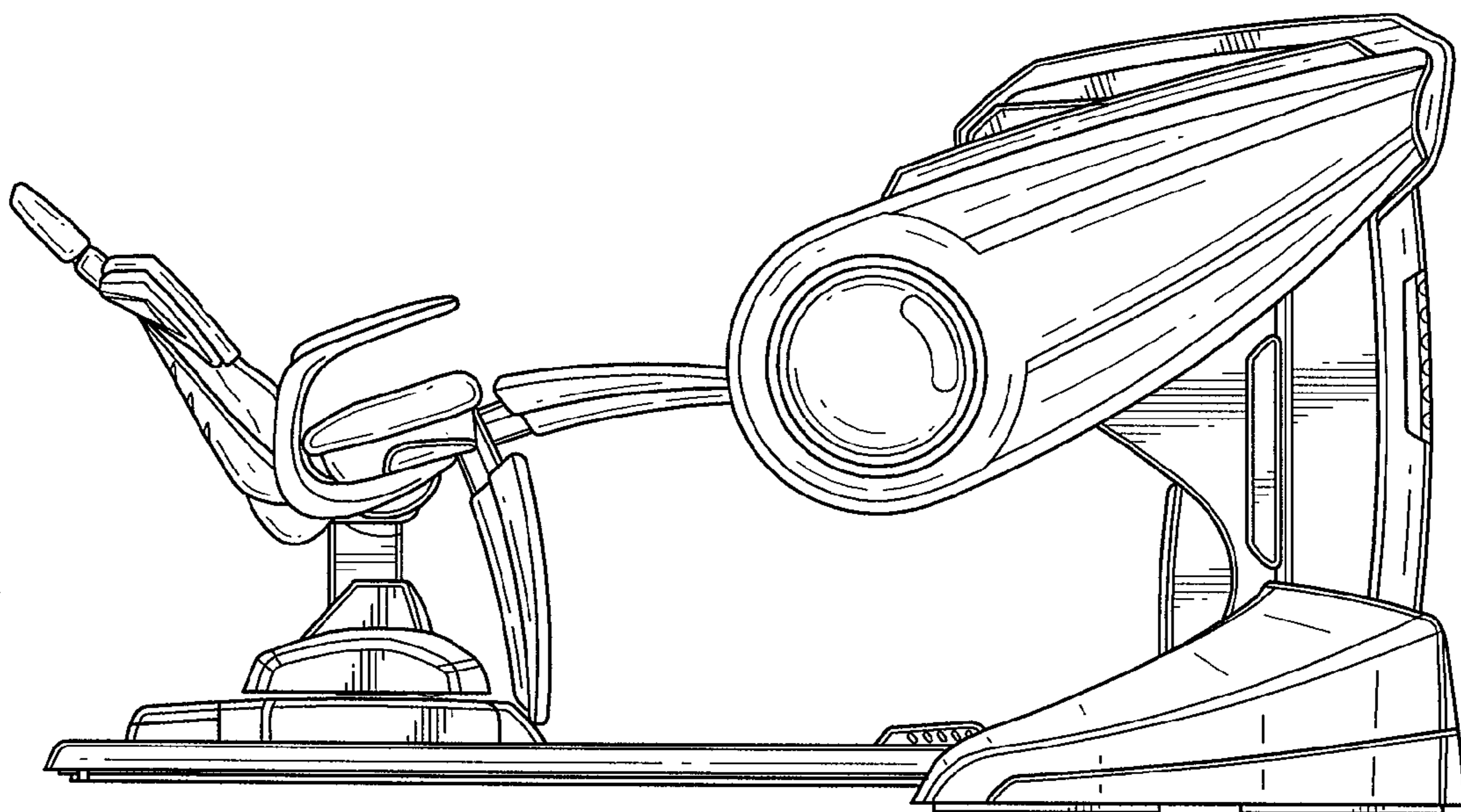


FIG.4

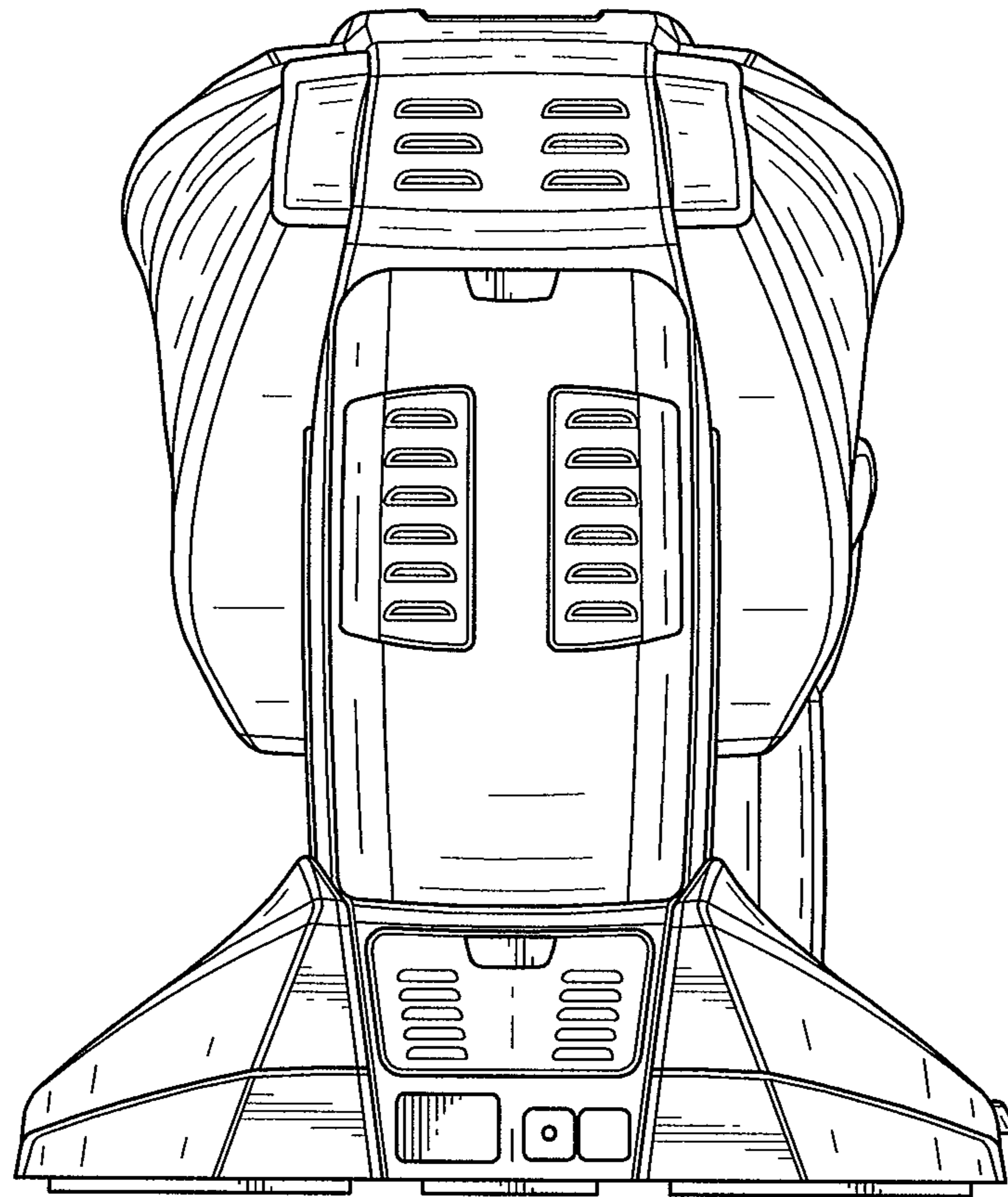


FIG.5

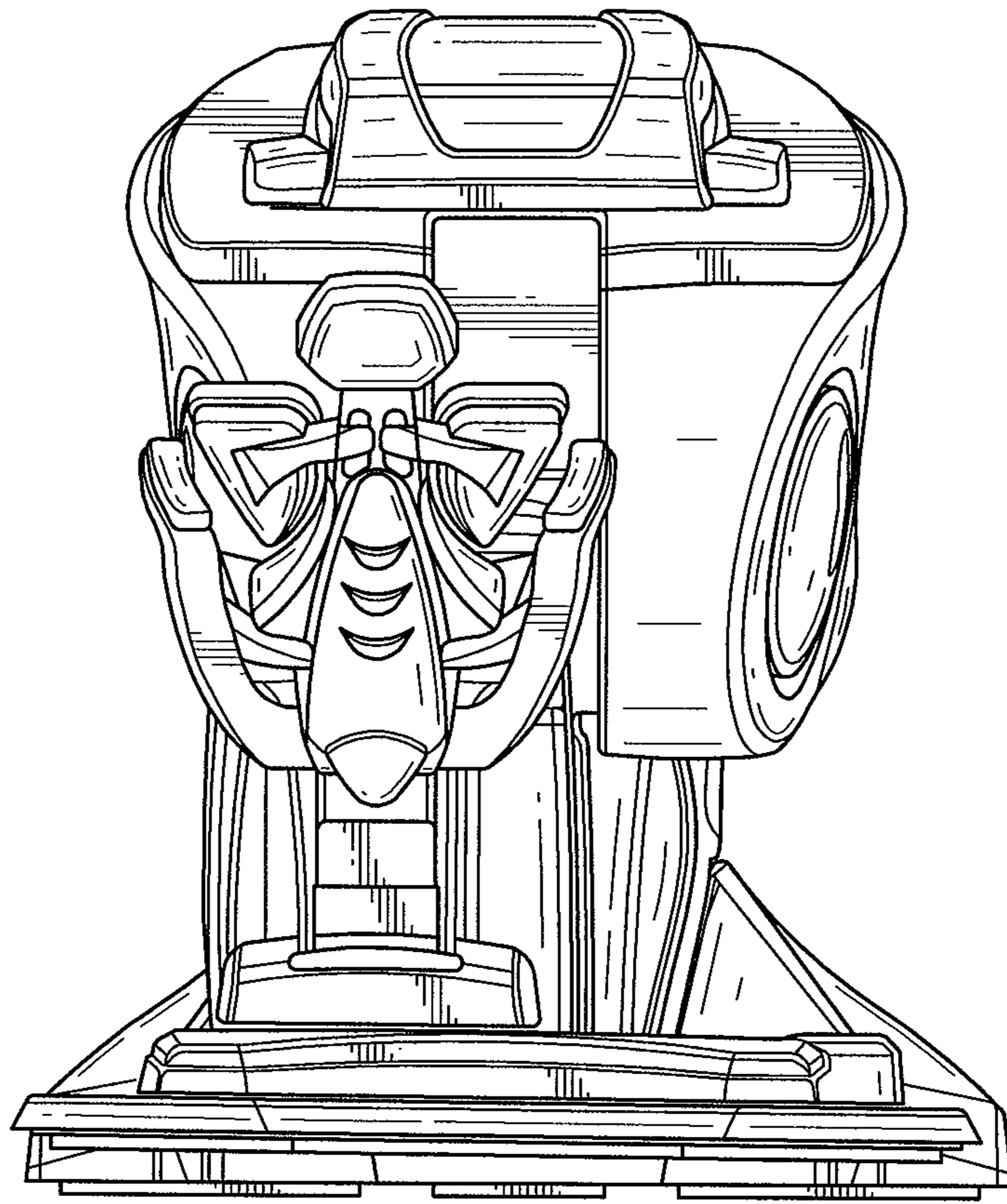


FIG.6

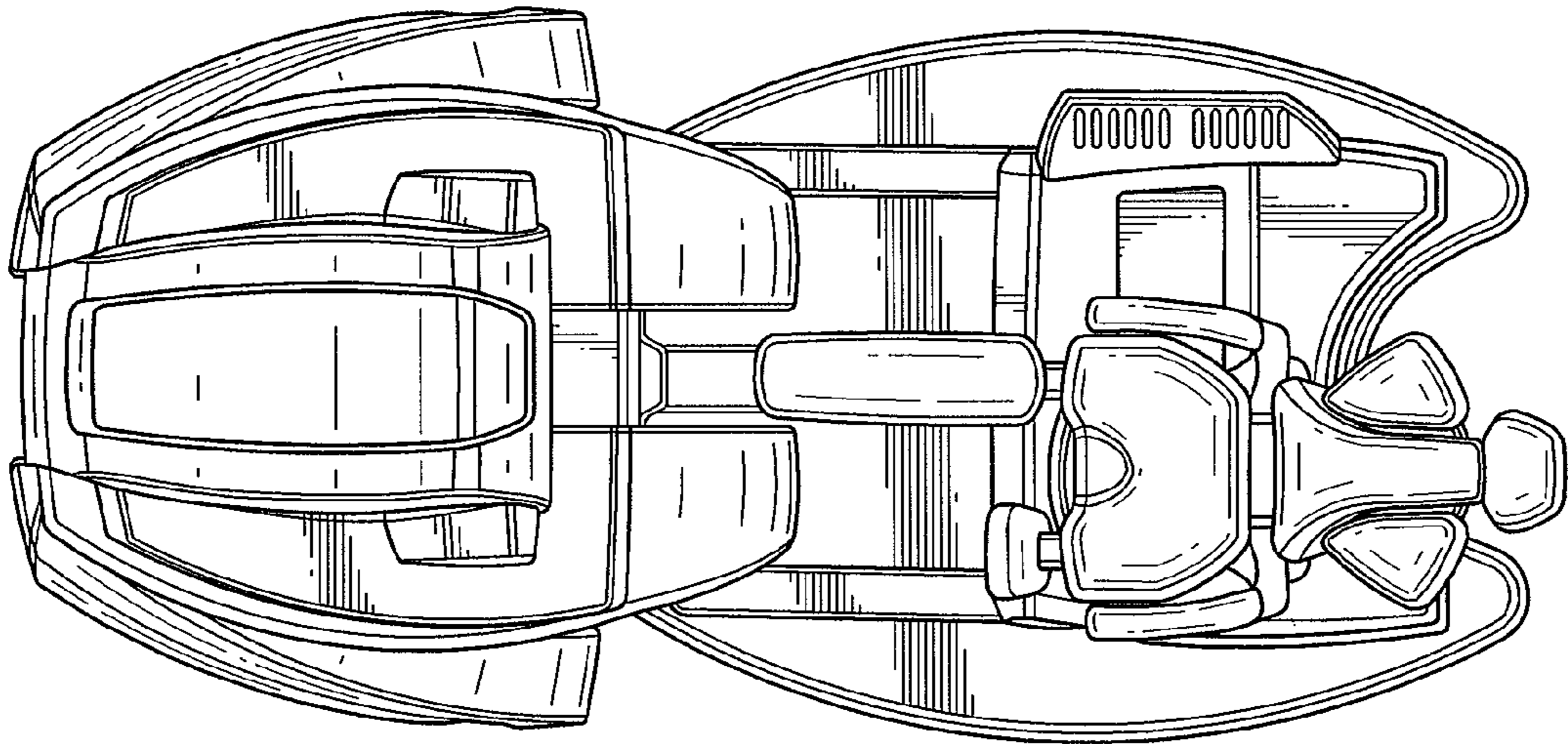


FIG. 7

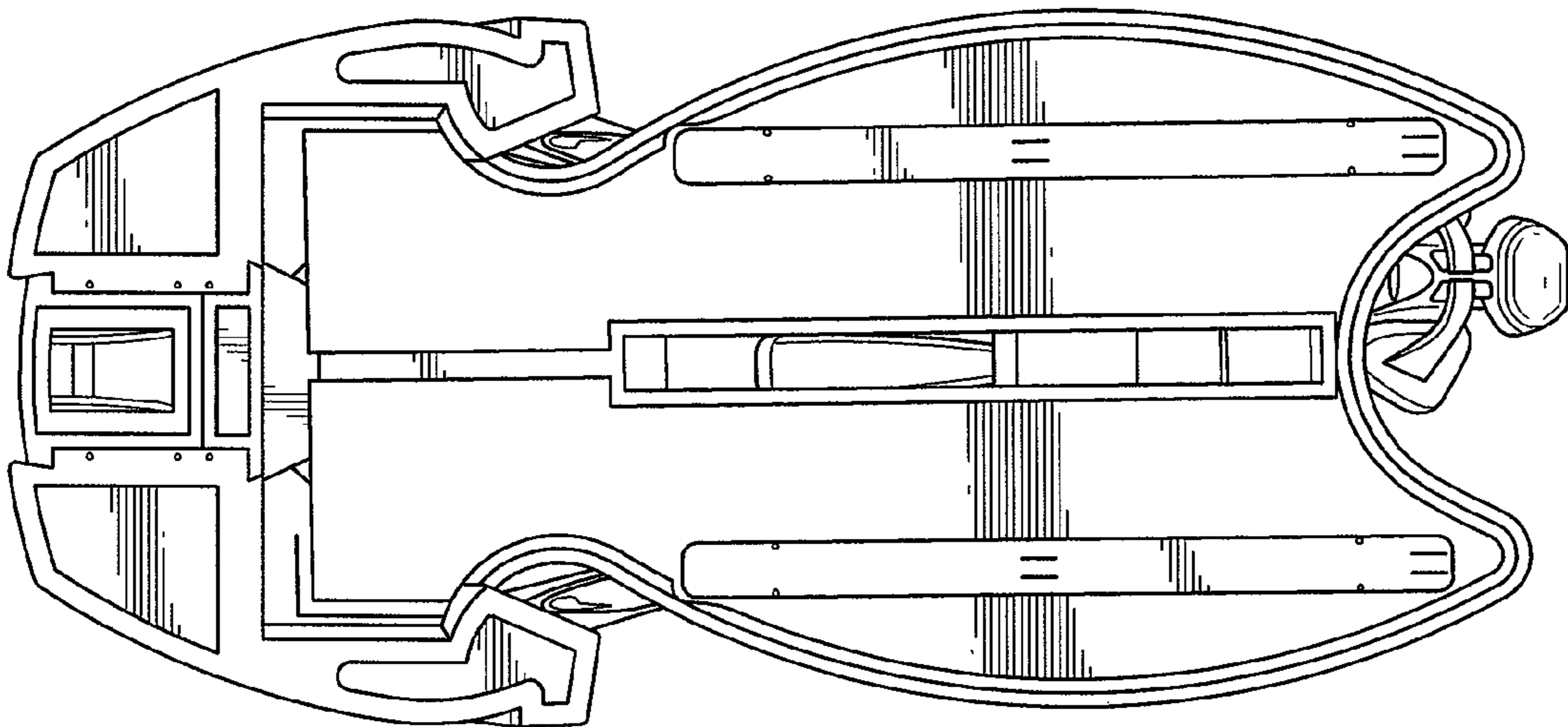


FIG. 8

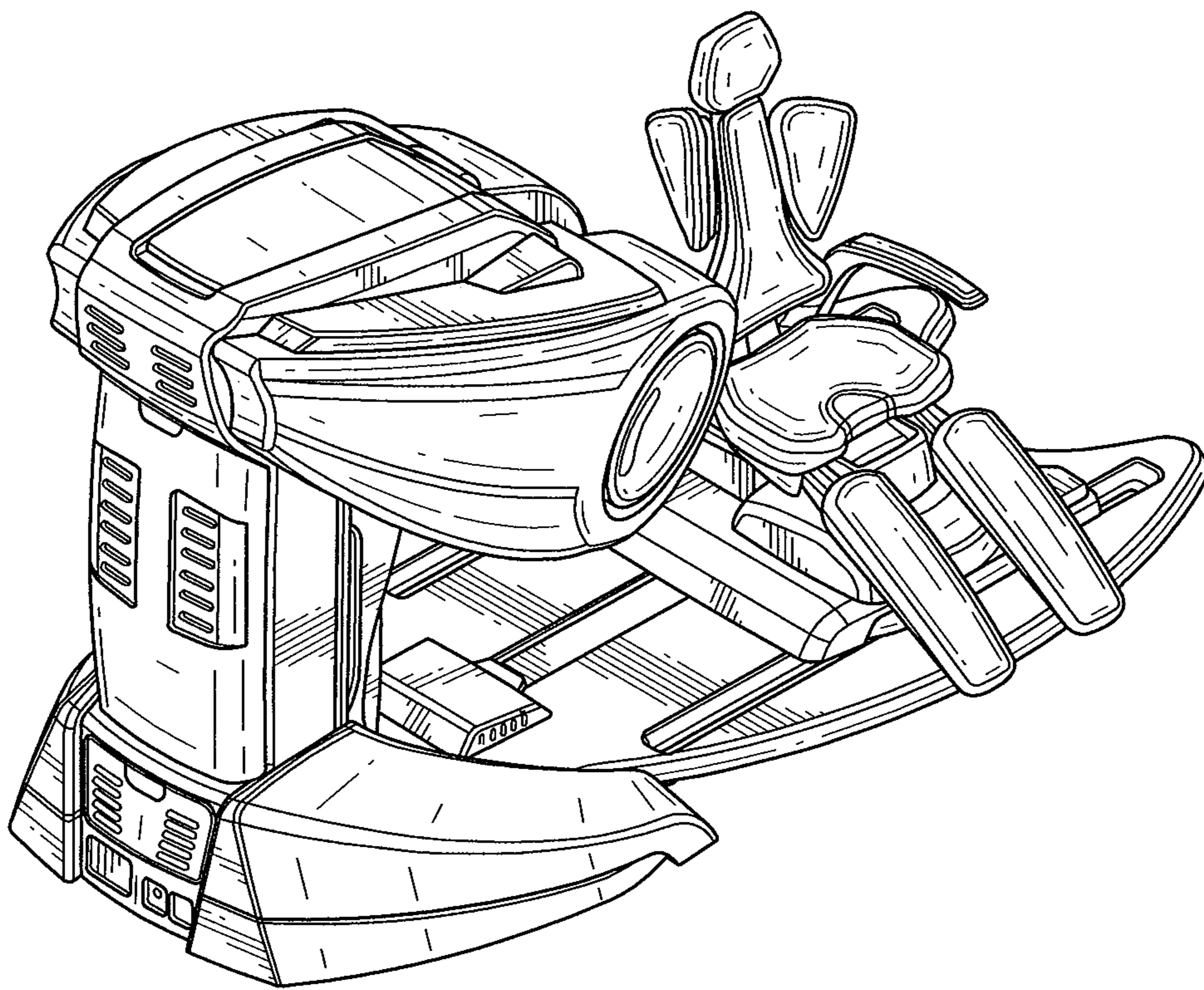


FIG.9