



US00D740938S

(12) **United States Design Patent**
Carver et al.

(10) **Patent No.:** **US D740,938 S**

(45) **Date of Patent:** **** Oct. 13, 2015**

(54) **BROSTEOTOME**

(71) Applicants: **Adam Carver**, Warsaw, IN (US);
Jeremiah M. Lewis, Leesburg, IN (US);
Conrad L. Klotz, Nappanee, IN (US);
Jenna Ross, Warsaw, IN (US); **Chad Lawrence**, Warsaw, IN (US)

(72) Inventors: **Adam Carver**, Warsaw, IN (US);
Jeremiah M. Lewis, Leesburg, IN (US);
Conrad L. Klotz, Nappanee, IN (US);
Jenna Ross, Warsaw, IN (US); **Chad Lawrence**, Warsaw, IN (US)

(73) Assignee: **DePuy Synthes Products, Inc.**,
Raynham, MA (US)

(**) Term: **14 Years**

(21) Appl. No.: **29/504,342**

(22) Filed: **Oct. 3, 2014**

(51) **LOC (10) Cl.** **24-02**

(52) **U.S. Cl.**
USPC **D24/146**

(58) **Field of Classification Search**
USPC D7/649; D8/93, 97, 300, 310, 311, 313;
D19/110, 115; D24/127, 130, 133,
D24/146, 147, 148
CPC B26B 3/00; B26B 1/10; B26B 5/005;
A61B 17/809; A61B 17/1617; A61B 17/3211;
A61B 5/1411; A61B 17/3417
See application file for complete search history.

(56) **References Cited**

U.S. PATENT DOCUMENTS

D211,323 S * 6/1968 Falk D8/300
D372,311 S * 7/1996 Koros et al. D24/147
D443,360 S * 6/2001 Haberland D24/146

D449,887 S * 10/2001 Haberland et al. D24/146
D469,871 S * 2/2003 Sand D24/133
D594,119 S * 6/2009 Berberich et al. D24/133
D594,121 S * 6/2009 Berberich et al. D24/133
D700,322 S * 2/2014 Kleiner D24/133
D714,934 S * 10/2014 Kawamura D24/130
8,932,249 B2 * 1/2015 Parihar et al. 604/26
D726,907 S * 4/2015 Trump D24/130
2008/0200915 A1 * 8/2008 Globerman et al. 606/80
2012/0136381 A1 * 5/2012 Morrison et al. 606/185

* cited by examiner

Primary Examiner — Robert M Spear

Assistant Examiner — Marissa J Cash

(74) *Attorney, Agent, or Firm* — Barnes & Thornburg LLP

(57) **CLAIM**

We claim the ornamental design for a brosteotome, as shown and described.

DESCRIPTION

Cross-reference is made to U.S. Utility patent application Ser. No. 14/506,582 entitled “Brosteotome and Method of Use” by Adam Carver et al., which is filed concurrently with the present application and is expressly incorporated herein by reference.

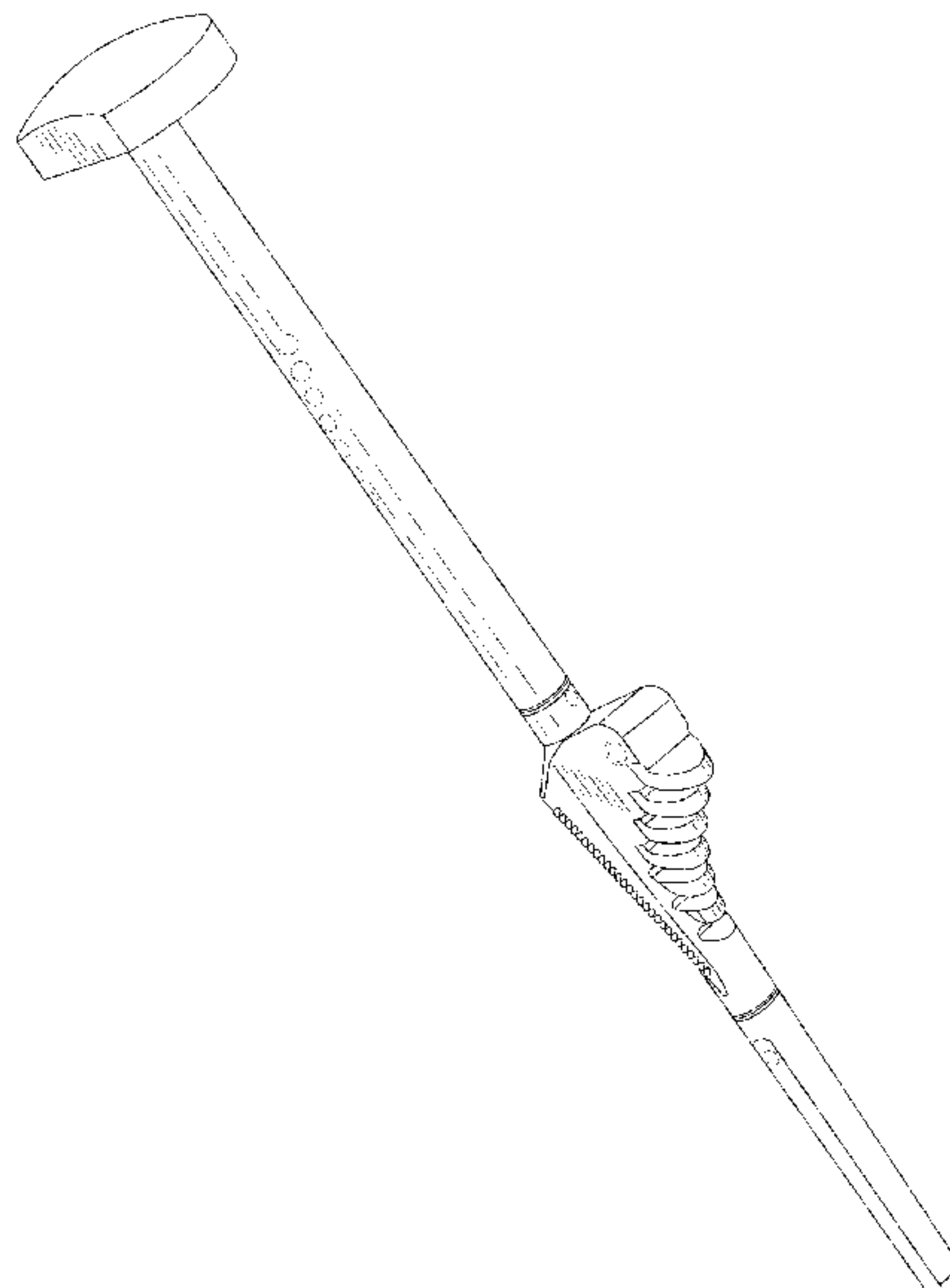
FIG. 1 is a front perspective view of a design of a brosteotome;

FIG. 2 is a front elevation view of the brosteotome of FIG. 1; FIG. 3 is a rear elevation view opposite the front elevation view of FIG. 2;

FIG. 4 is a side elevation view of the brosteotome of FIG. 1, with the opposite side elevation view being the mirror image of FIG. 4;

FIG. 5 is a distal plan view of the brosteotome of FIG. 1; and, FIG. 6 is a proximal plan view of the brosteotome of FIG. 1. The features shown in broken lines depict environmental subject matter only and form no part of the claimed design.

1 Claim, 5 Drawing Sheets



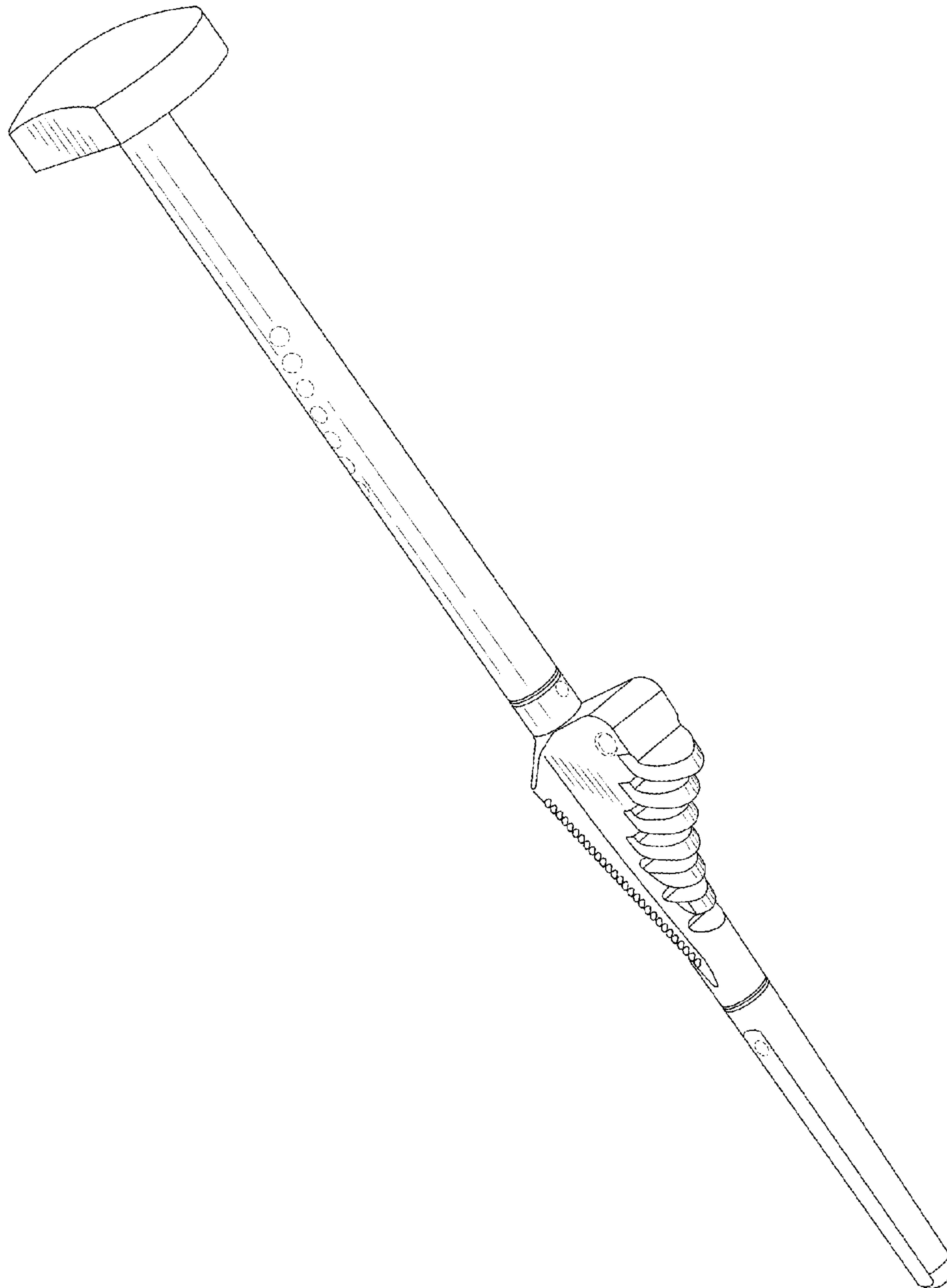


Fig. 1

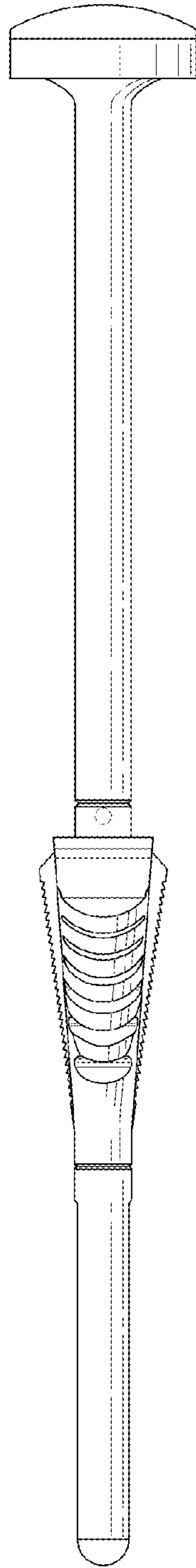


Fig. 2

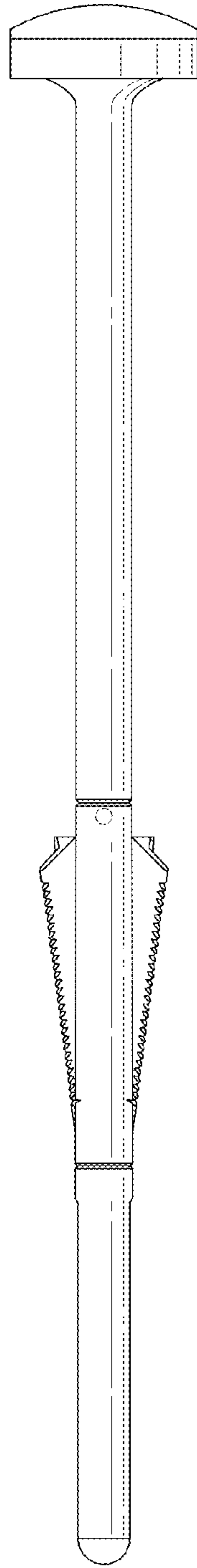


Fig. 3

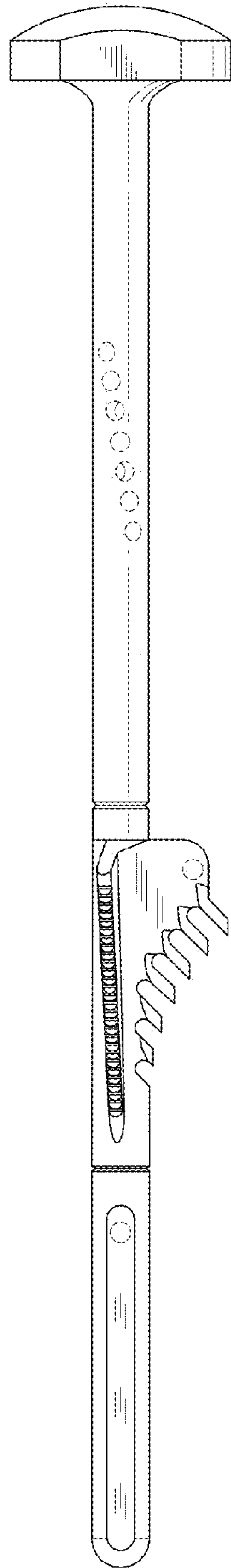


Fig. 4

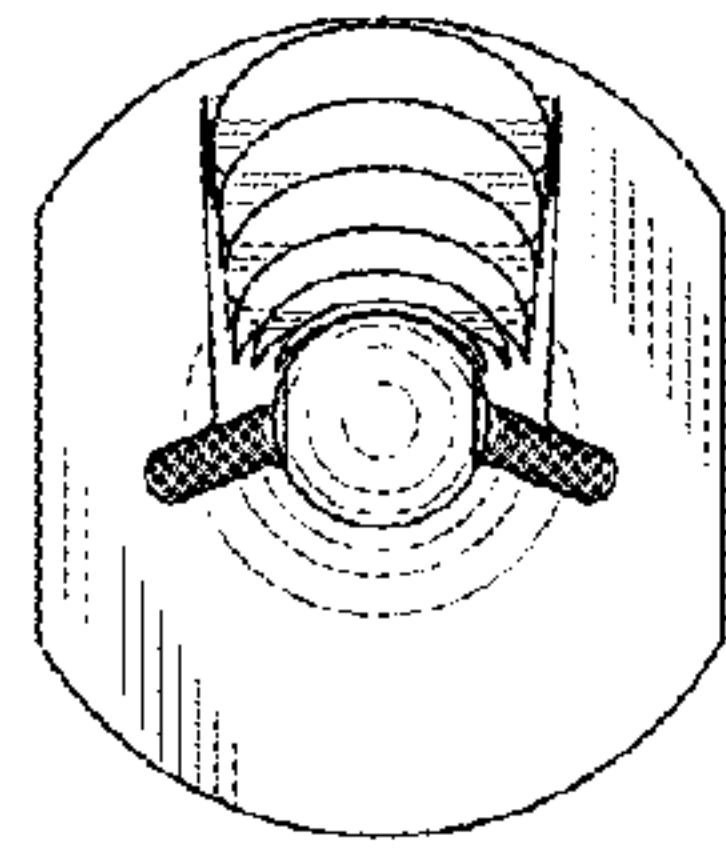


Fig. 5

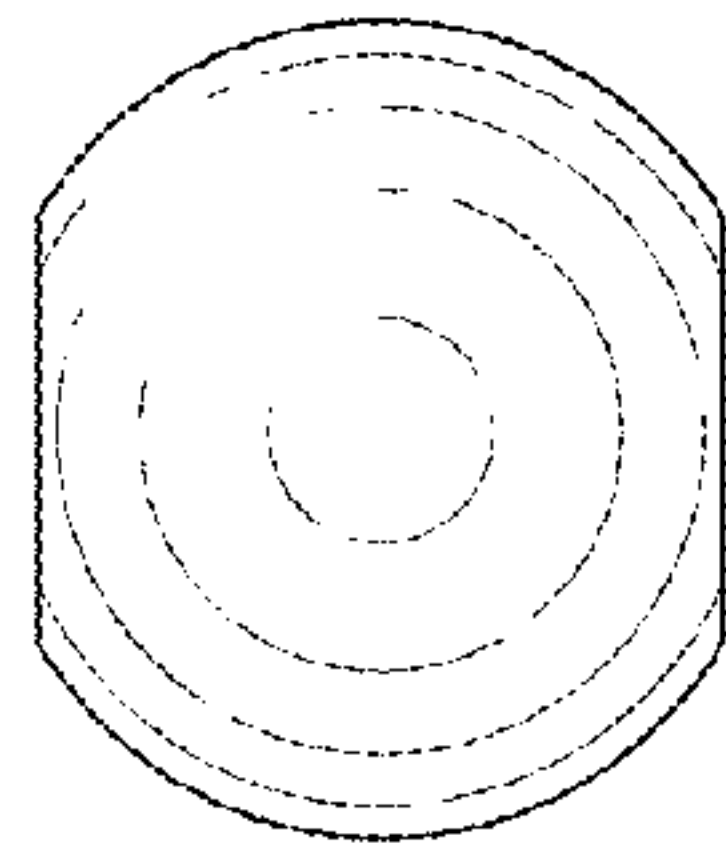


Fig. 6