



US00D740935S

(12) **United States Design Patent**
Cullen et al.

(10) **Patent No.:** **US D740,935 S**
(45) **Date of Patent:** **** Oct. 13, 2015**

(54) **FRAME FOR PATIENT INTERFACE**

(71) Applicant: **ResMed Limited**, Bella Vista, New South Wales (AU)

(72) Inventors: **Christopher Samuel Cullen**, Sydney (AU); **Memduh Guney**, Sydney (AU); **Michael Charles La Guzza**, Sydney (AU); **Lochlan Von Moger**, Sydney (AU)

(73) Assignee: **ResMed Limited**, Bella Vista (AU)

(**) Term: **14 Years**

(21) Appl. No.: **29/476,296**

(22) Filed: **Dec. 12, 2013**

(51) **LOC (10) Cl.** **29-02**

(52) **U.S. Cl.**
USPC **D24/110.4; D24/110.1**

(58) **Field of Classification Search**
USPC D24/111, 110.1-110.5; 128/202.27, 128/204.21, 205.25, 205.27, 128/206.11-206.13, 206.18, 206.21, 128/206.24, 206.27, 206.28, 207.11, 128/207.12, 207.13, 207.17, 207.18; 2/171, 2/181, 25

See application file for complete search history.

(56) **References Cited**

U.S. PATENT DOCUMENTS

D494,675	S	*	8/2004	Guney et al.	D24/110.1
D496,098	S	*	9/2004	Guney et al.	D24/110.1
D532,512	S	*	11/2006	Amarasinghe	D24/110
D540,940	S	*	4/2007	Amarasinghe et al.	...	D24/110.1
D549,323	S	*	8/2007	Kwok et al.	D24/110.5
D556,901	S	*	12/2007	Davidson et al.	D24/110.1
D558,331	S	*	12/2007	Davidson et al.	D24/110.1
D560,796	S	*	1/2008	Jones et al.	D24/110.1
D562,729	S	*	2/2008	Hitchcock et al.	D11/218
D578,207	S	*	10/2008	D'Souza et al.	D24/110.1
D597,199	S	*	7/2009	Smart et al.	D24/110.1
D626,646	S	*	11/2010	Lubke et al.	D24/110.1

D635,247	S	*	3/2011	Scheiner et al.	D24/110.1
D645,557	S	*	9/2011	Scheiner et al.	D24/110.1
8,042,542	B2	*	10/2011	Ging et al.	128/207.11
D650,064	S	*	12/2011	Gunaratnam et al.	D24/110
D653,328	S	*	1/2012	Eves et al.	D24/110.1
D664,250	S	*	7/2012	Scheiner et al.	D24/110.1
8,522,784	B2	*	9/2013	Ng et al.	128/206.28
D692,554	S	*	10/2013	Siew et al.	D24/110.4
D693,459	S	*	11/2013	Prentice et al.	D24/110.4
D695,887	S	*	12/2013	Ozolins et al.	D24/110.4
D696,396	S	*	12/2013	Eves et al.	D24/110.4
8,770,198	B2	*	7/2014	Yee et al.	128/207.18

(Continued)

Primary Examiner — Wan Laymon

Assistant Examiner — Mark Booker

(74) *Attorney, Agent, or Firm* — Nixon & Vanderhye P.C.

(57) **CLAIM**

The ornamental design for a frame for patient interface, as shown and described.

DESCRIPTION

FIG. 1 is a perspective view of a frame for patient interface showing an embodiment according to our new ornamental design;

FIG. 2 is an enlarged perspective view thereof in isolation;

FIG. 3 is a front view thereof;

FIG. 4 is a rear view thereof;

FIG. 5 is a top view thereof;

FIG. 6 is a bottom view thereof;

FIG. 7 is a right side view thereof;

FIG. 8 is a left side view thereof;

FIG. 9 is a perspective view of a frame for patient interface showing an embodiment according to our new ornamental design;

FIG. 10 is an enlarged perspective view thereof in isolation;

FIG. 11 is a front view thereof;

FIG. 12 is a rear view thereof;

FIG. 13 is a top view thereof;

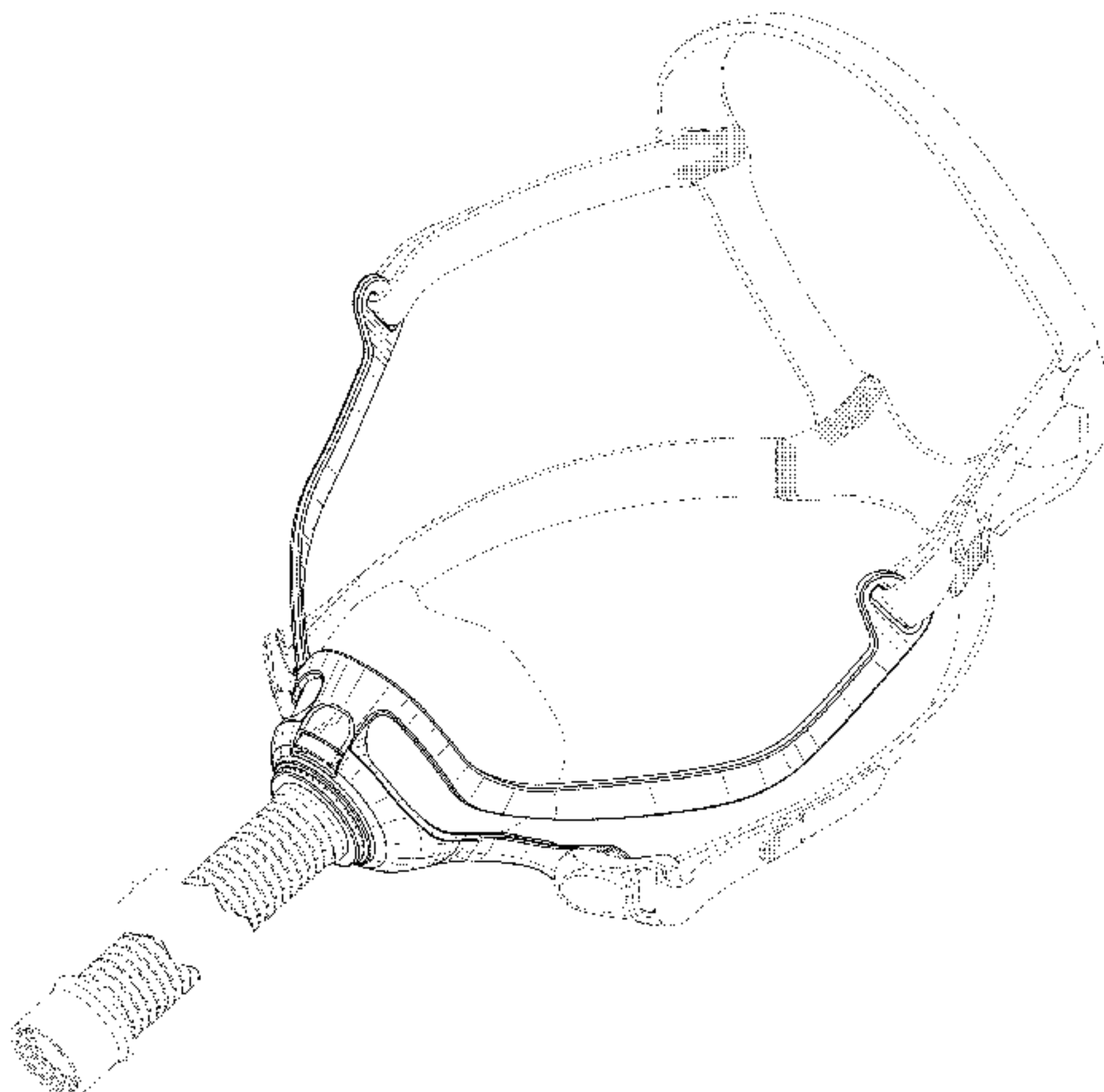
FIG. 14 is a bottom view thereof;

FIG. 15 is a right side view thereof; and,

FIG. 16 is a left side view thereof.

The broken lines represent environment or structure and do not form a portion of the claimed design.

1 Claim, 10 Drawing Sheets



(56)

References Cited

U.S. PATENT DOCUMENTS

D713,759	S *	9/2014	Guney et al.	D11/218	2011/0308526	A1 *	12/2011	Ho et al.	128/206.28
D717,945	S *	11/2014	Neff et al.	D24/127	2012/0012114	A1 *	1/2012	Chandran et al.	128/206.28
8,887,725	B2 *	11/2014	Hernandez et al.	128/205.25	2013/0037030	A1 *	2/2013	Matula, Jr.	128/205.25
2008/0257354	A1 *	10/2008	Davidson et al.	128/206.24	2013/0092170	A1 *	4/2013	Davidson et al.	128/206.24
2009/0032026	A1 *	2/2009	Price et al.	128/207.11	2013/0104902	A1 *	5/2013	Ho et al.	128/206.24
2009/0145429	A1 *	6/2009	Ging et al.	128/202.27	2013/0199537	A1 *	8/2013	Formica et al.	128/205.25
2009/0151729	A1 *	6/2009	Judson et al.	128/207.13	2013/0239973	A1 *	9/2013	Scheiner et al.	128/206.24
2010/0116272	A1 *	5/2010	Row et al.	128/204.17	2013/0263858	A1 *	10/2013	Ho et al.	128/205.25
2010/0132717	A1 *	6/2010	Davidson et al.	128/207.18	2014/0158137	A1 *	6/2014	Ging et al.	128/207.13
2010/0319688	A1 *	12/2010	Amarasinghe	128/201.22	2014/0166018	A1 *	6/2014	Dravitzki et al.	128/207.13
2011/0041855	A1 *	2/2011	Gunaratnam et al. ...	128/207.18	2014/0190486	A1 *	7/2014	Dunn et al.	128/205.25
2011/0056497	A1 *	3/2011	Scheiner et al.	128/206.24	2014/0202466	A1 *	7/2014	Ho et al.	128/206.24
2011/0155140	A1 *	6/2011	Ho et al.	128/207.18	2014/0236083	A1 *	8/2014	Sims	604/114
2011/0259340	A1 *	10/2011	Witt et al.	128/207.18	2014/0261433	A1 *	9/2014	Guney	128/205.25
					2014/0290663	A1 *	10/2014	Rothermel	128/206.24
					2014/0326246	A1 *	11/2014	Chodkowski et al. ...	128/206.24
					2014/0326248	A1 *	11/2014	Haibach et al.	128/207.18

* cited by examiner

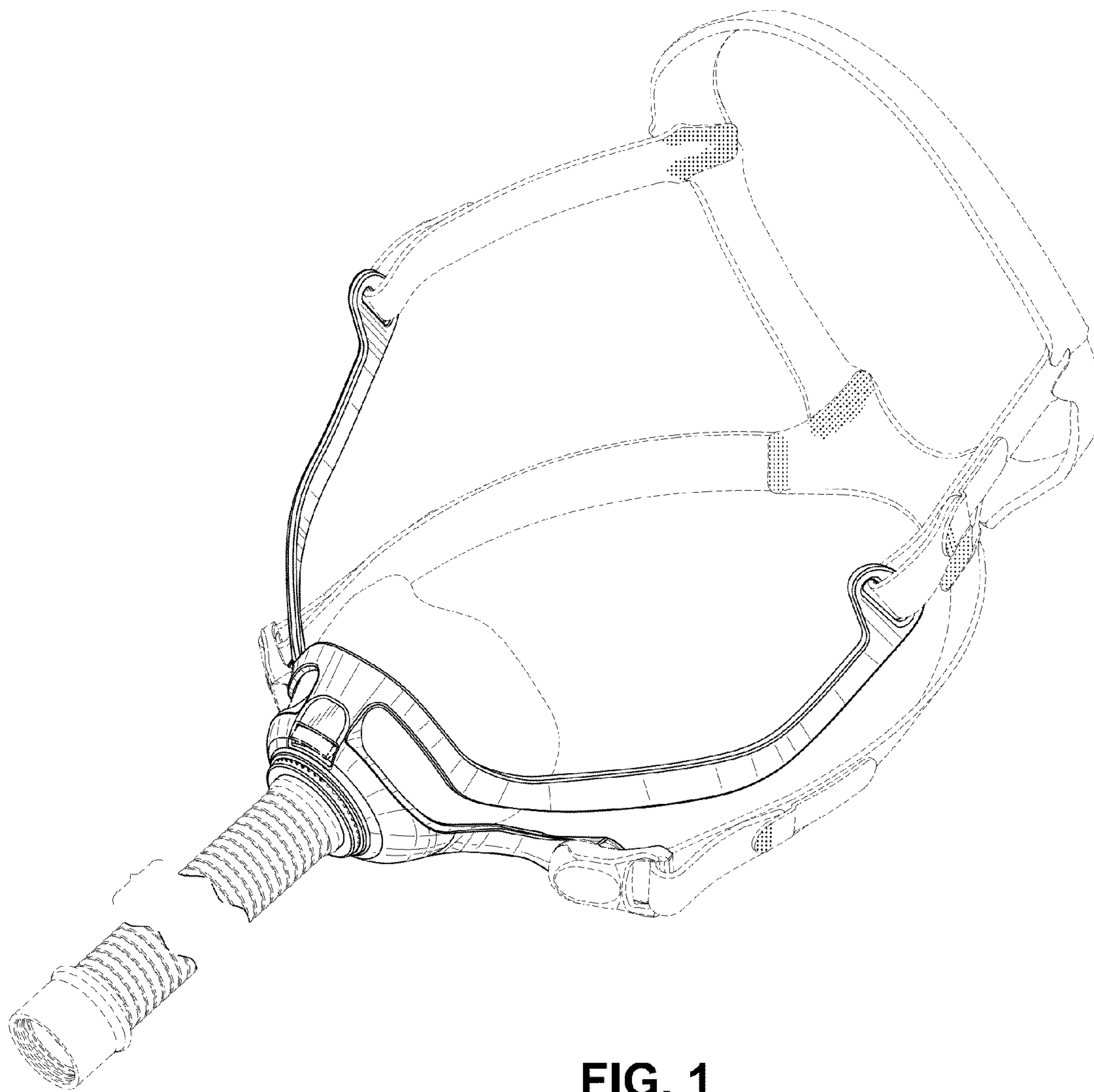


FIG. 1

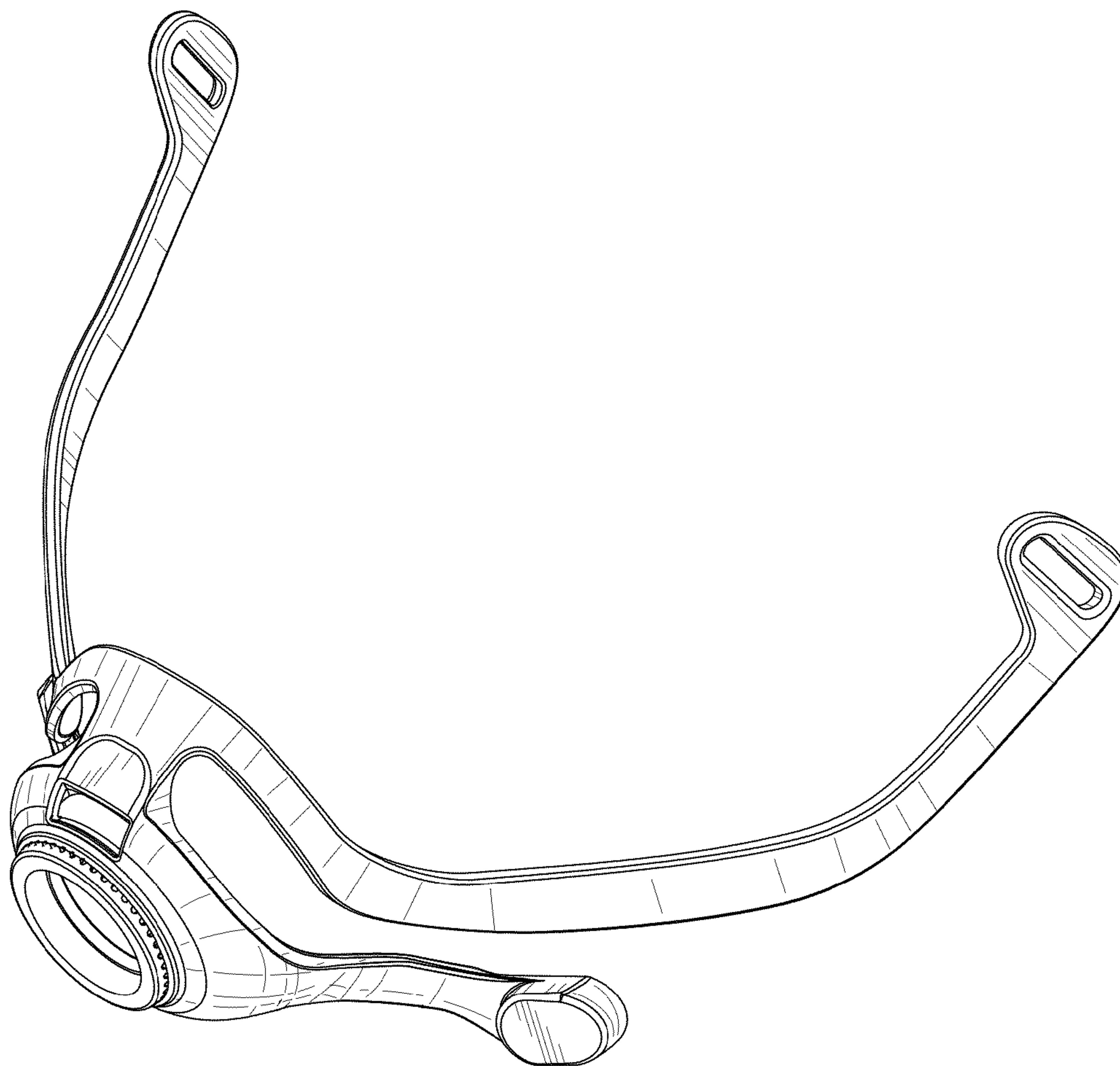


FIG. 2

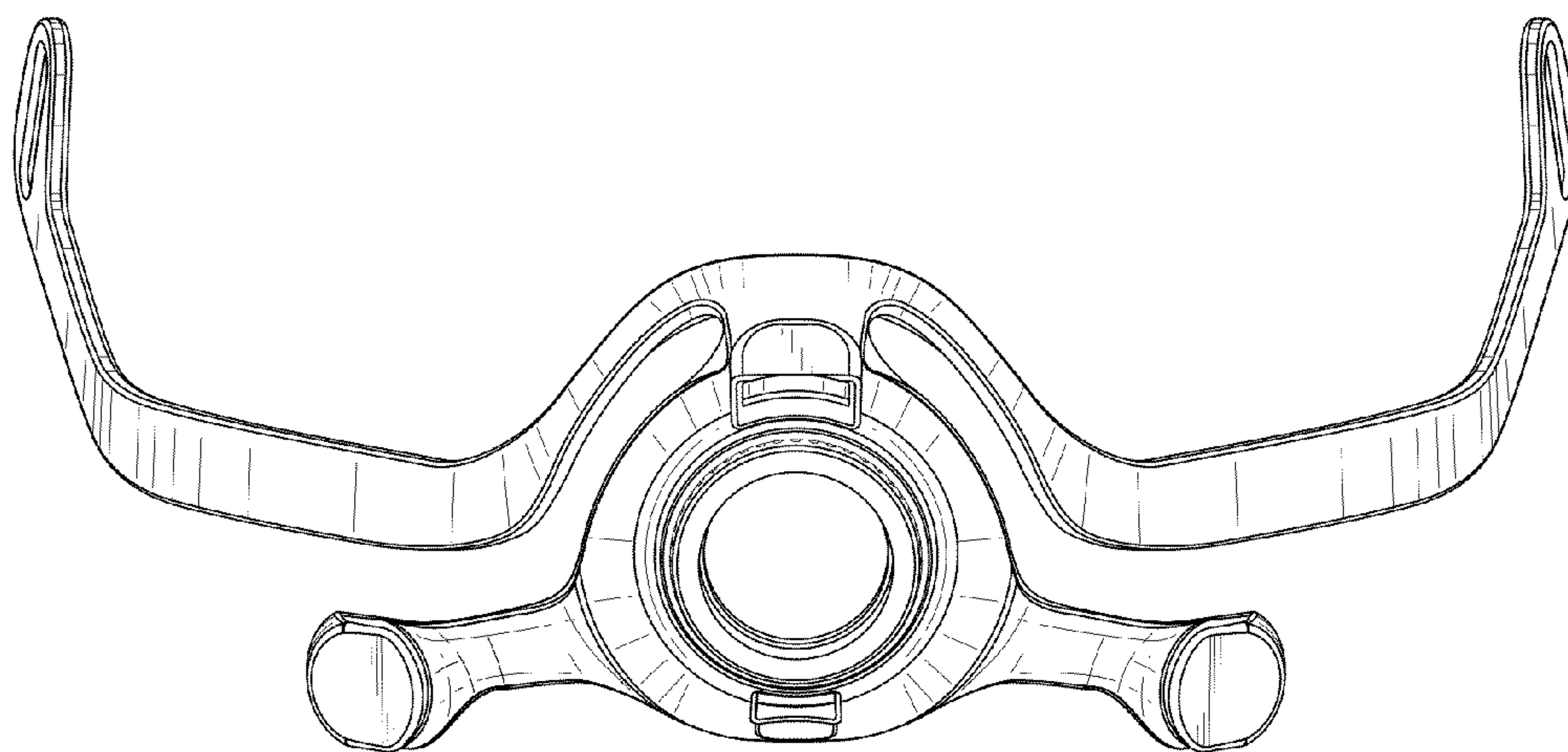


FIG. 3

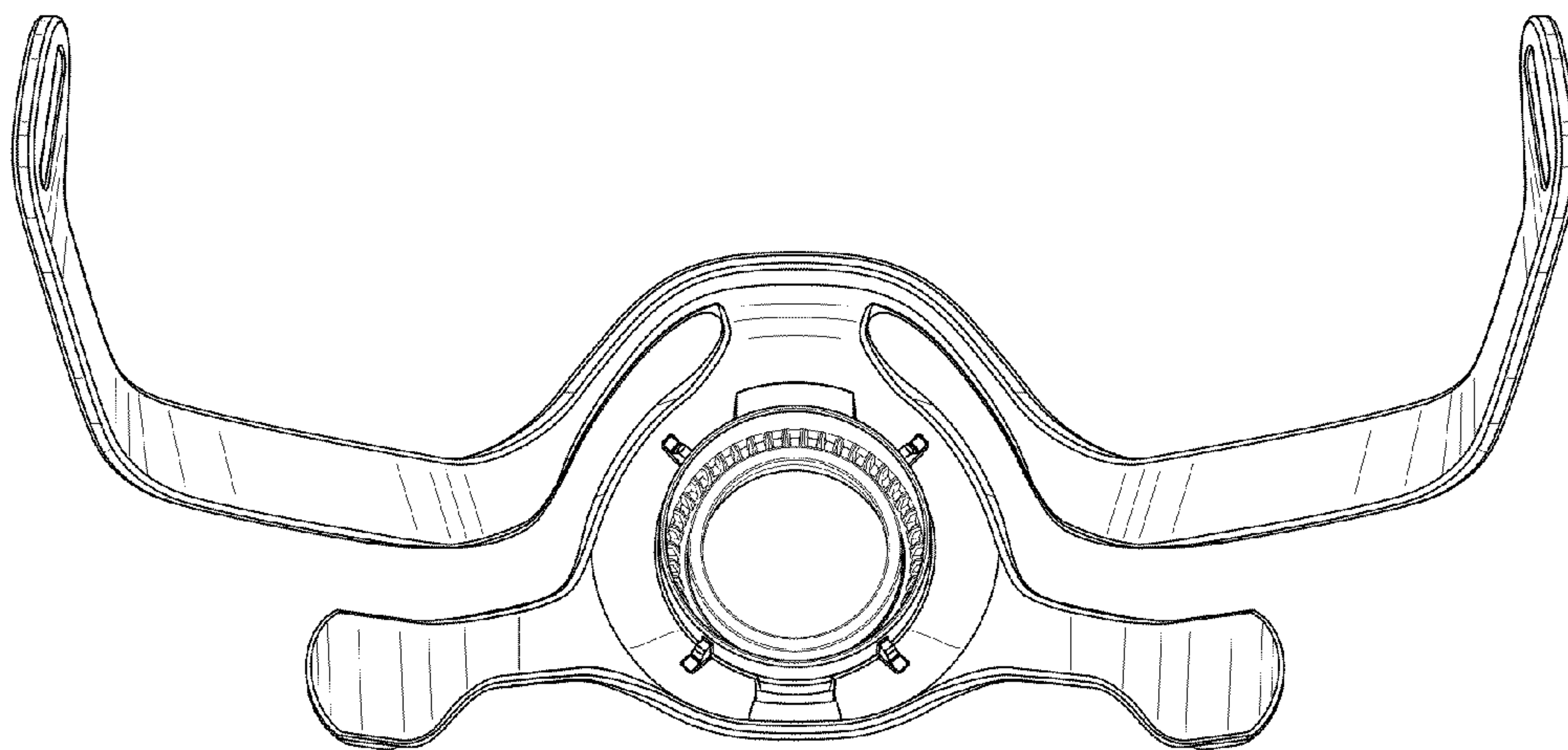


FIG. 4

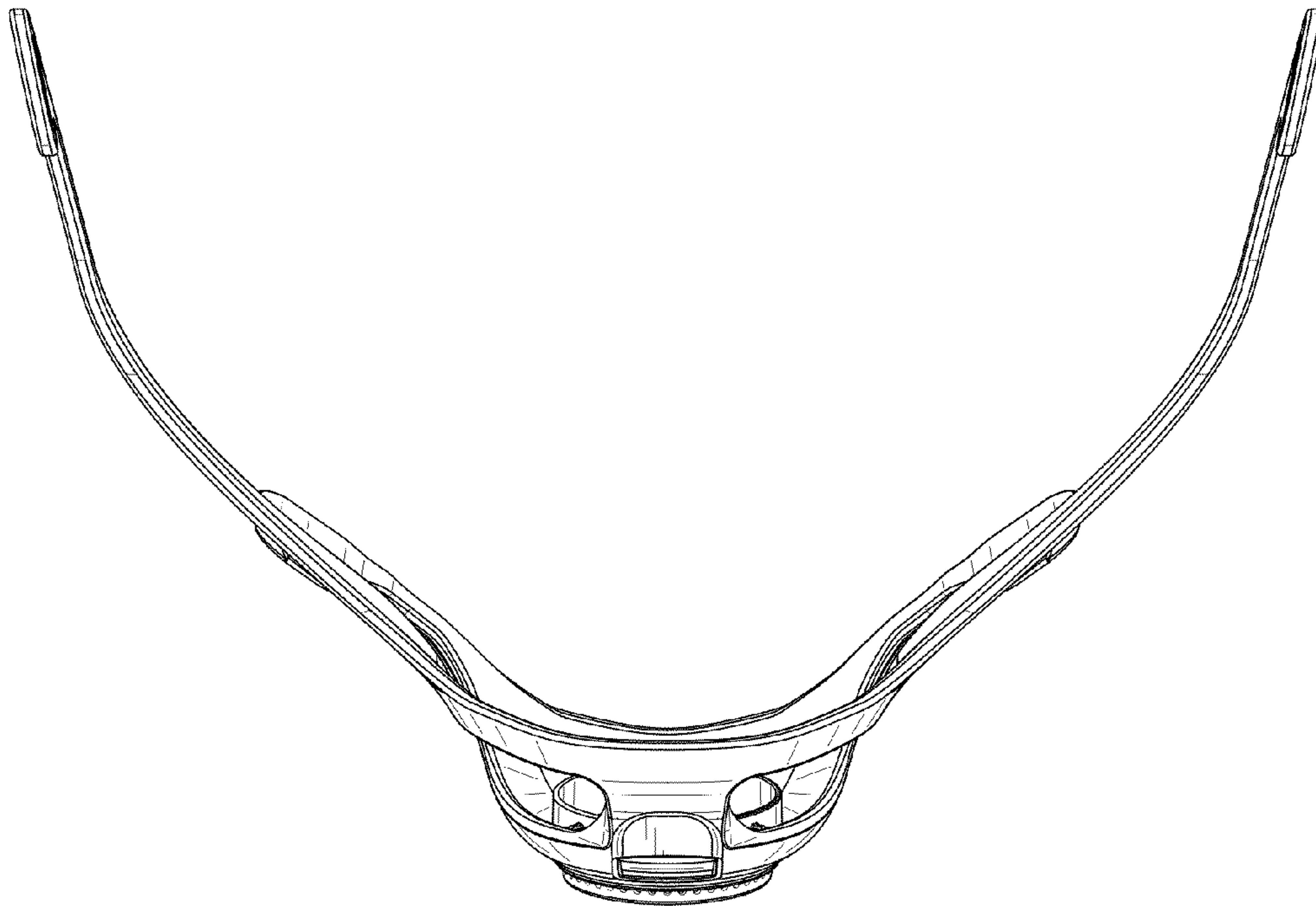


FIG. 5

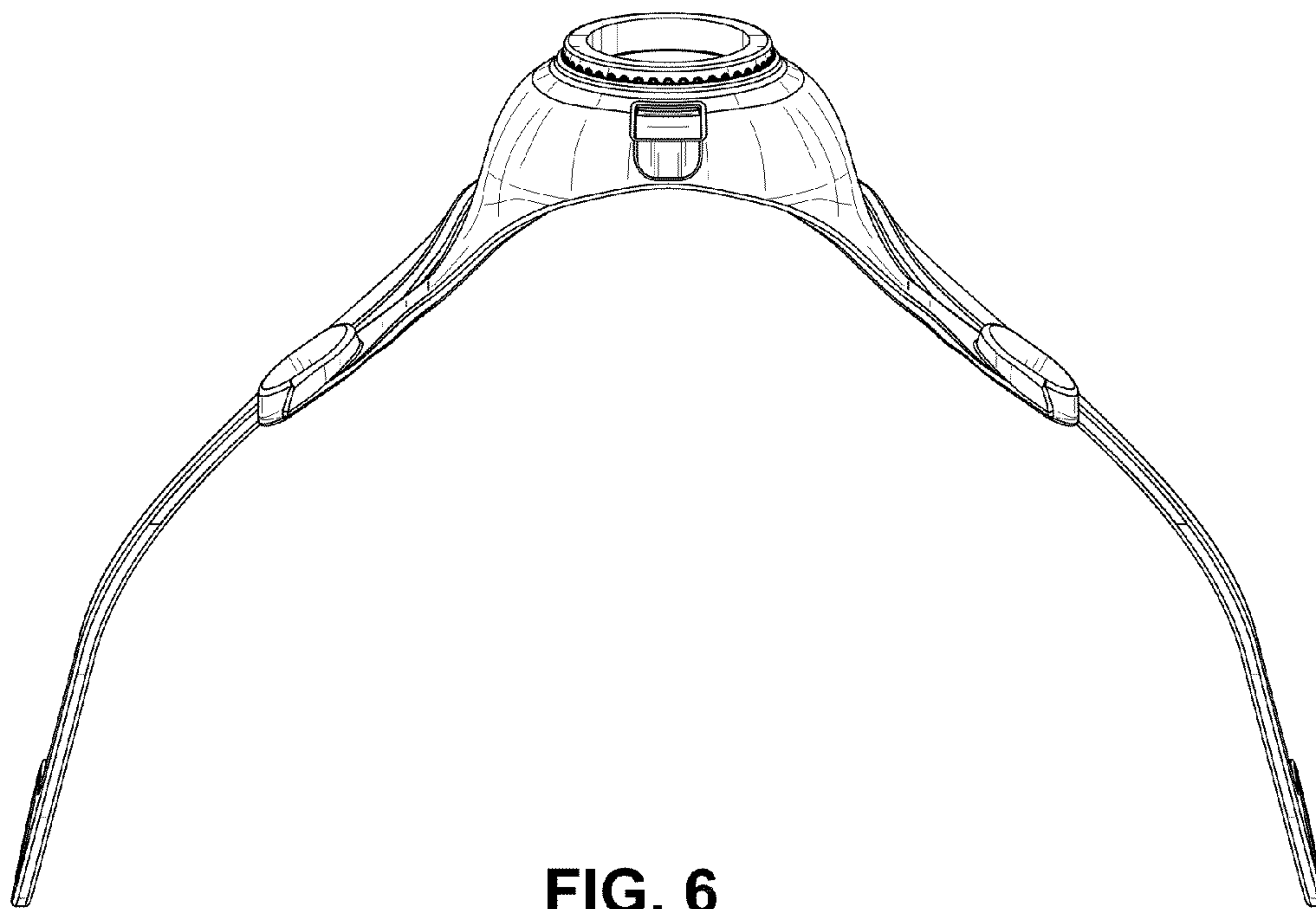


FIG. 6

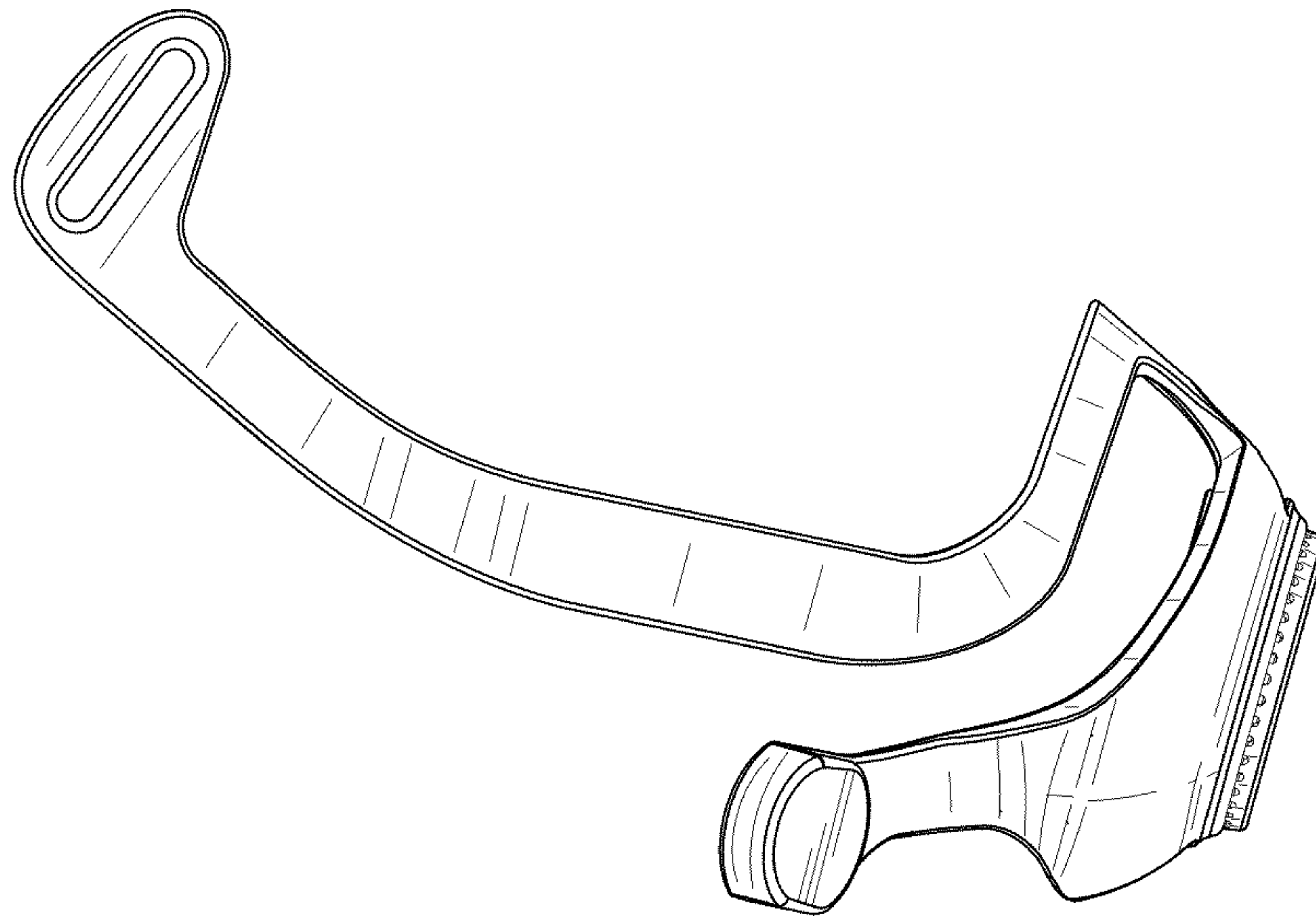


FIG. 7

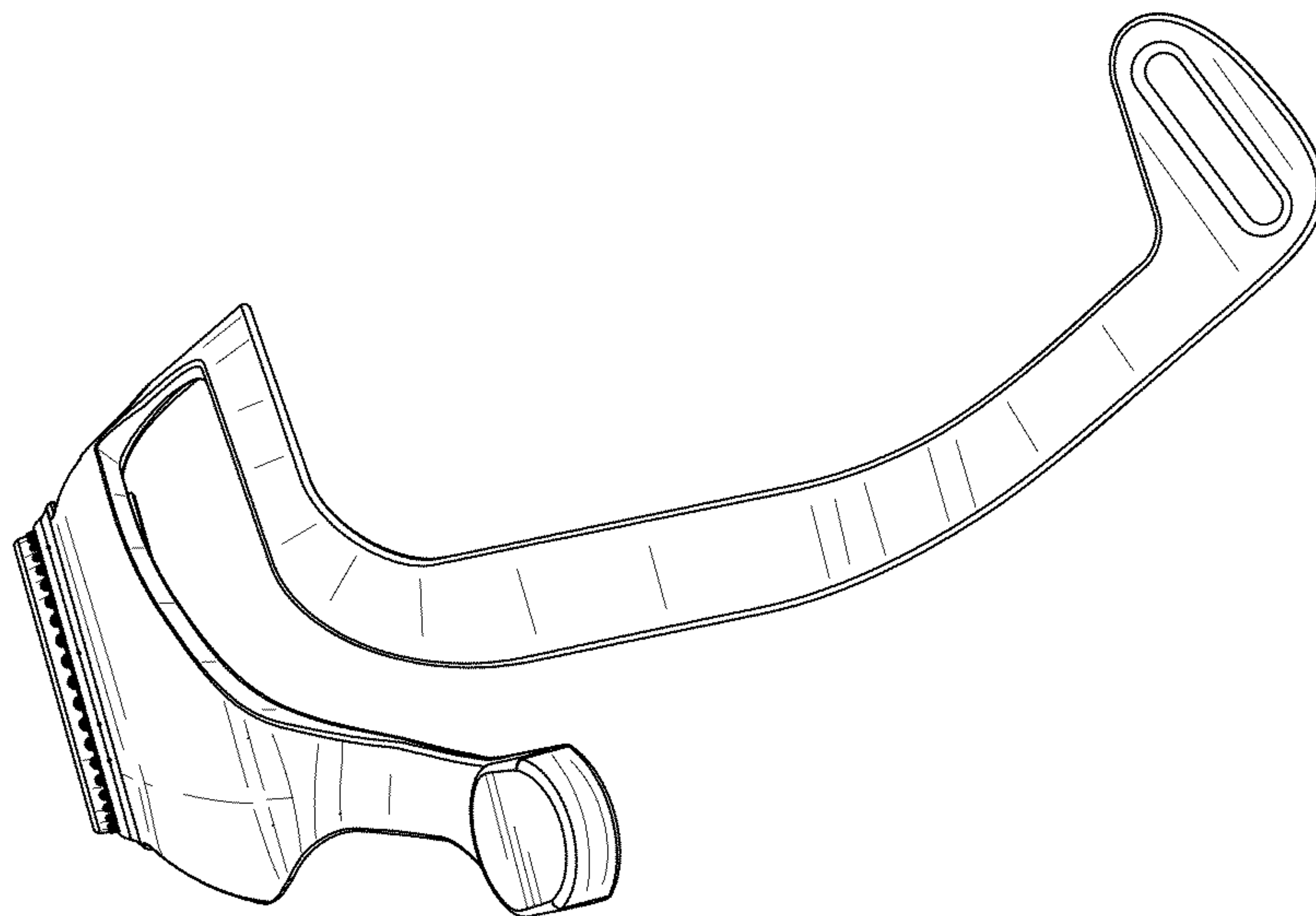


FIG. 8

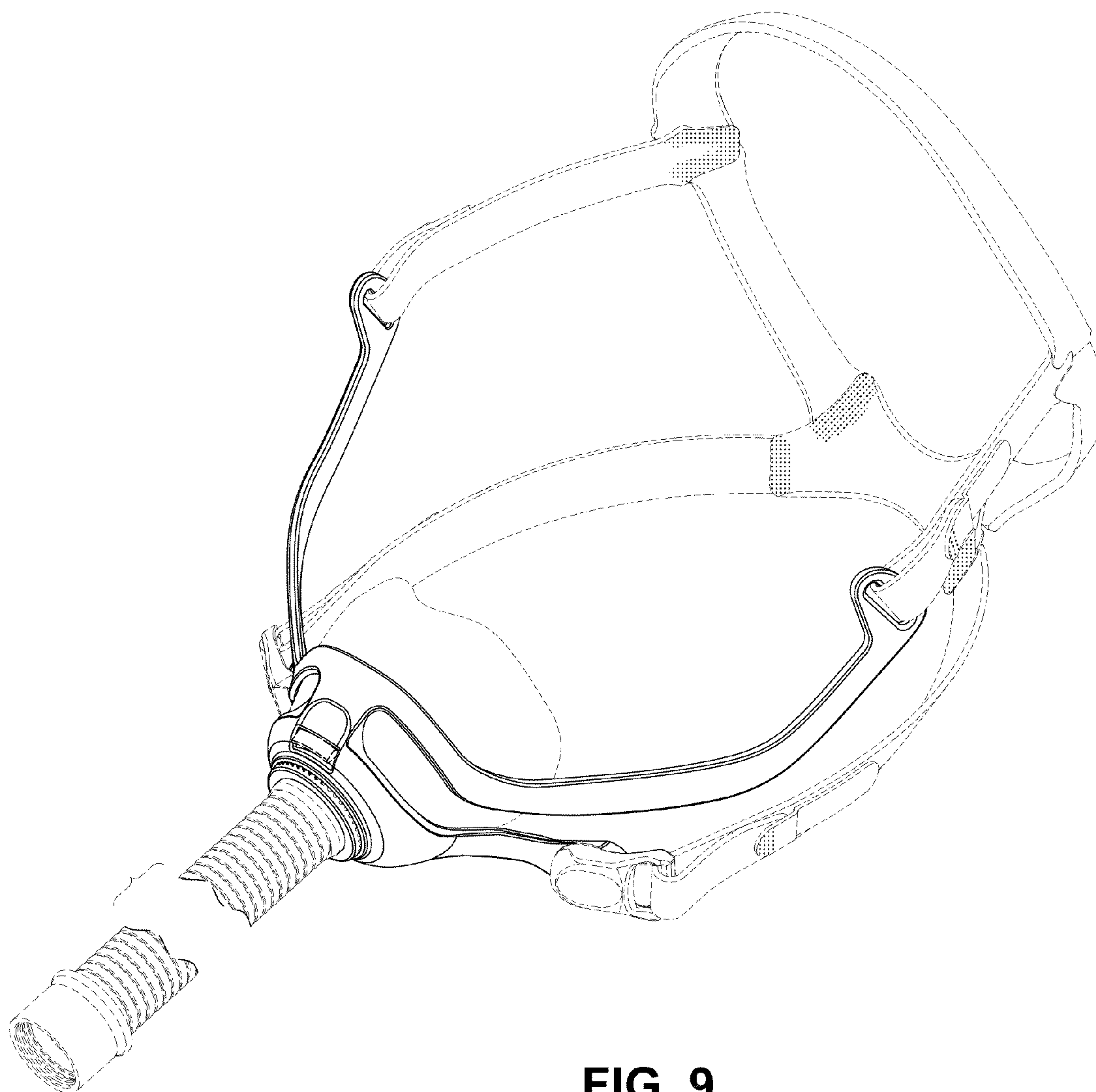


FIG. 9

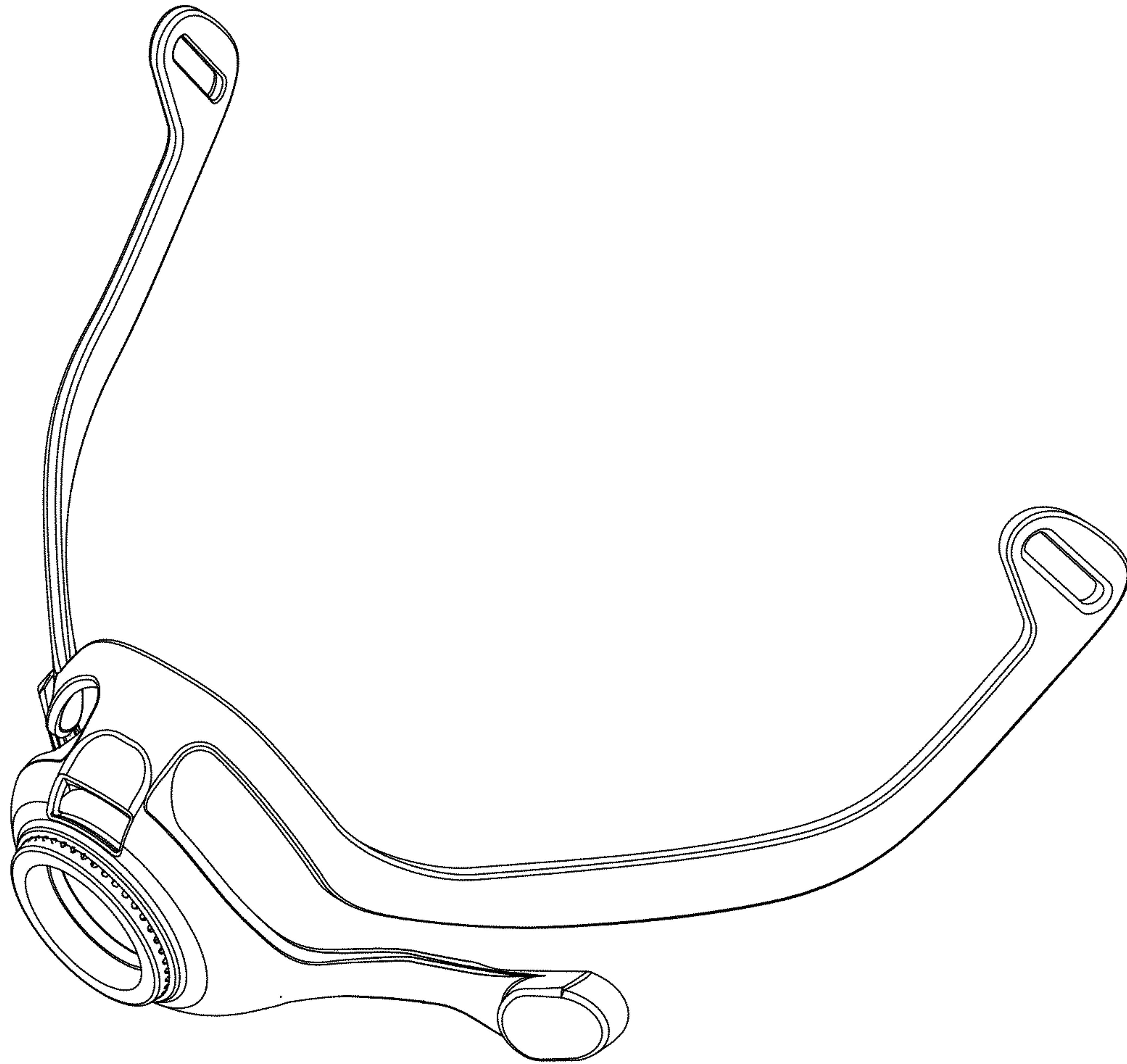


FIG. 10

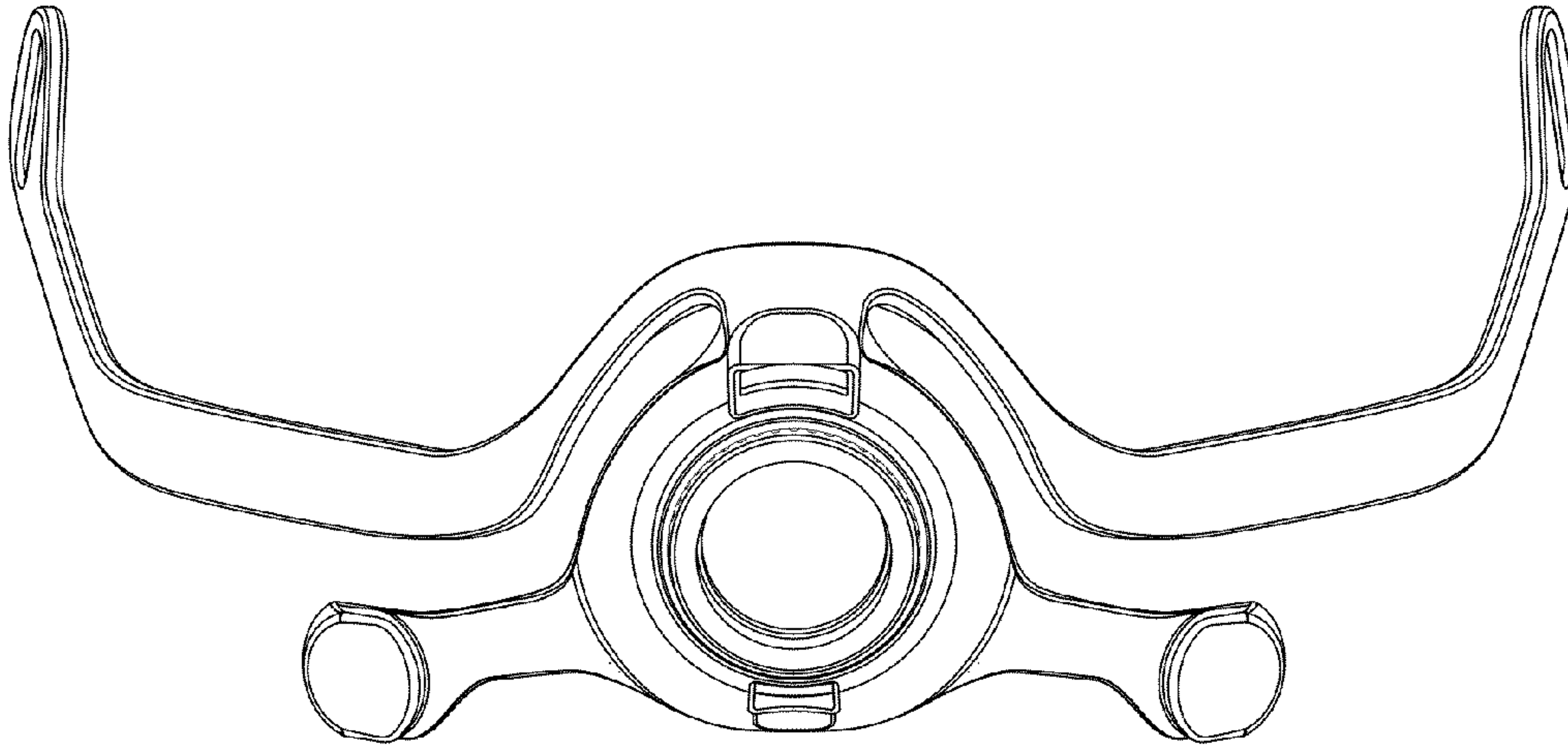


FIG. 11

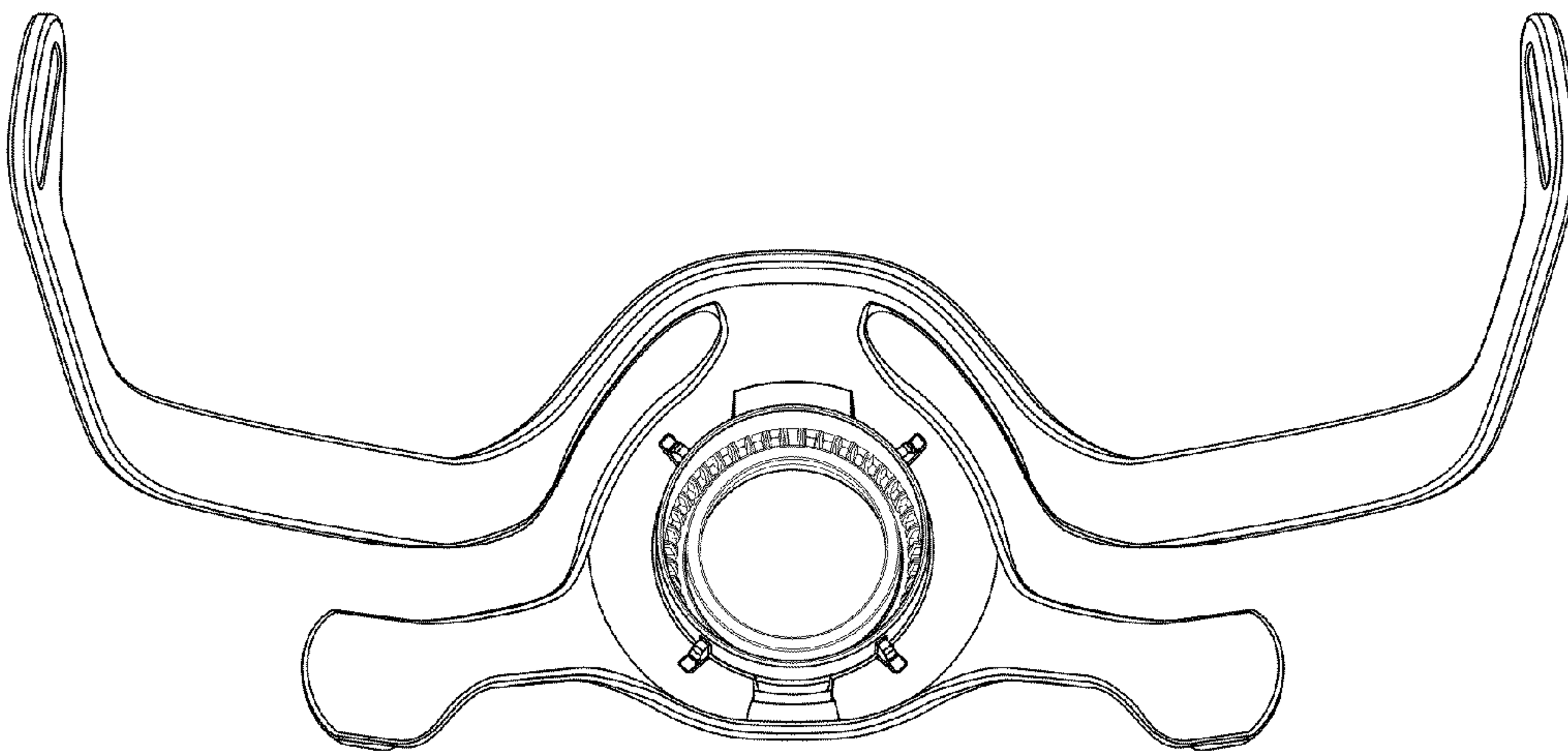


FIG. 12

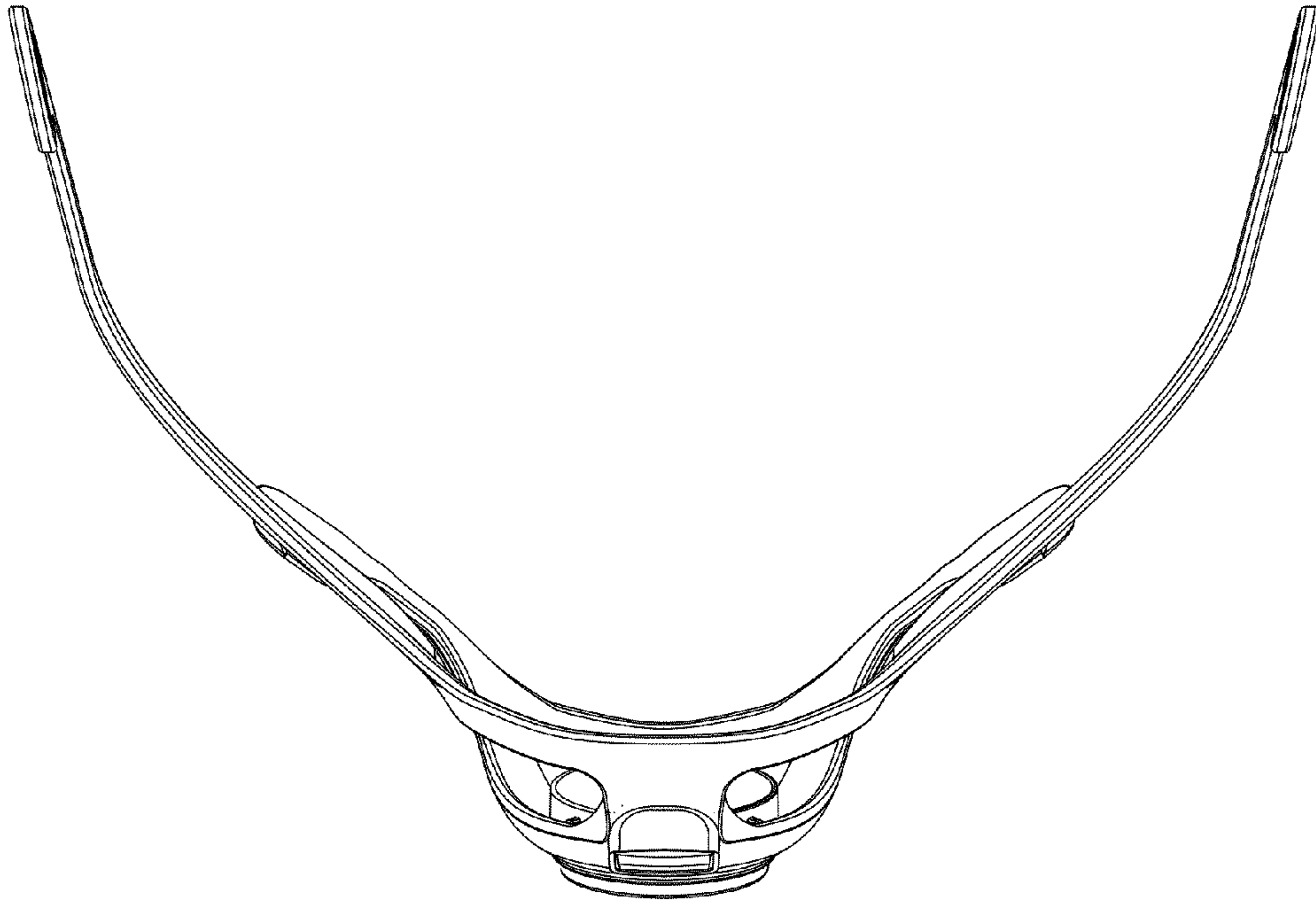


FIG. 13

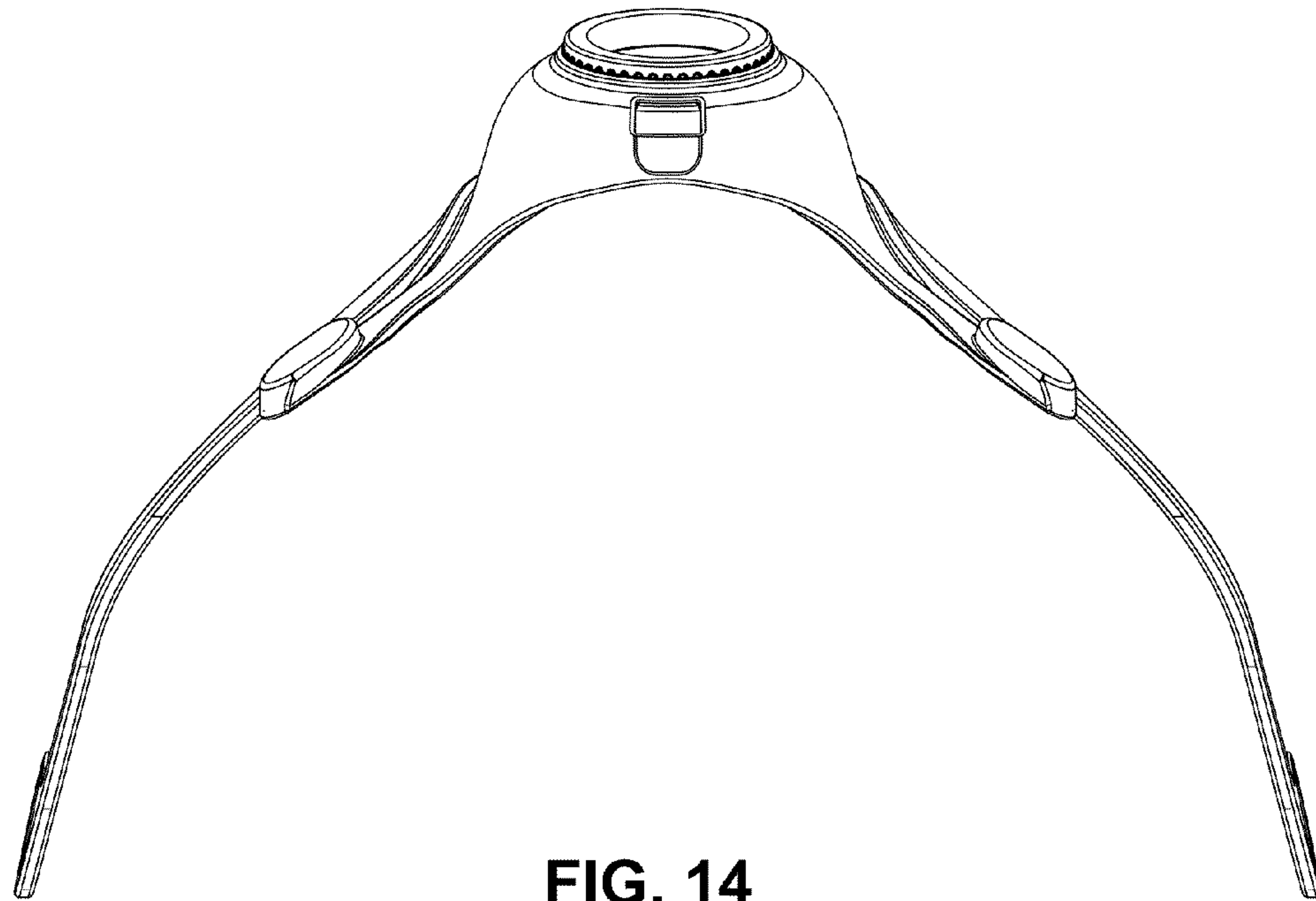


FIG. 14

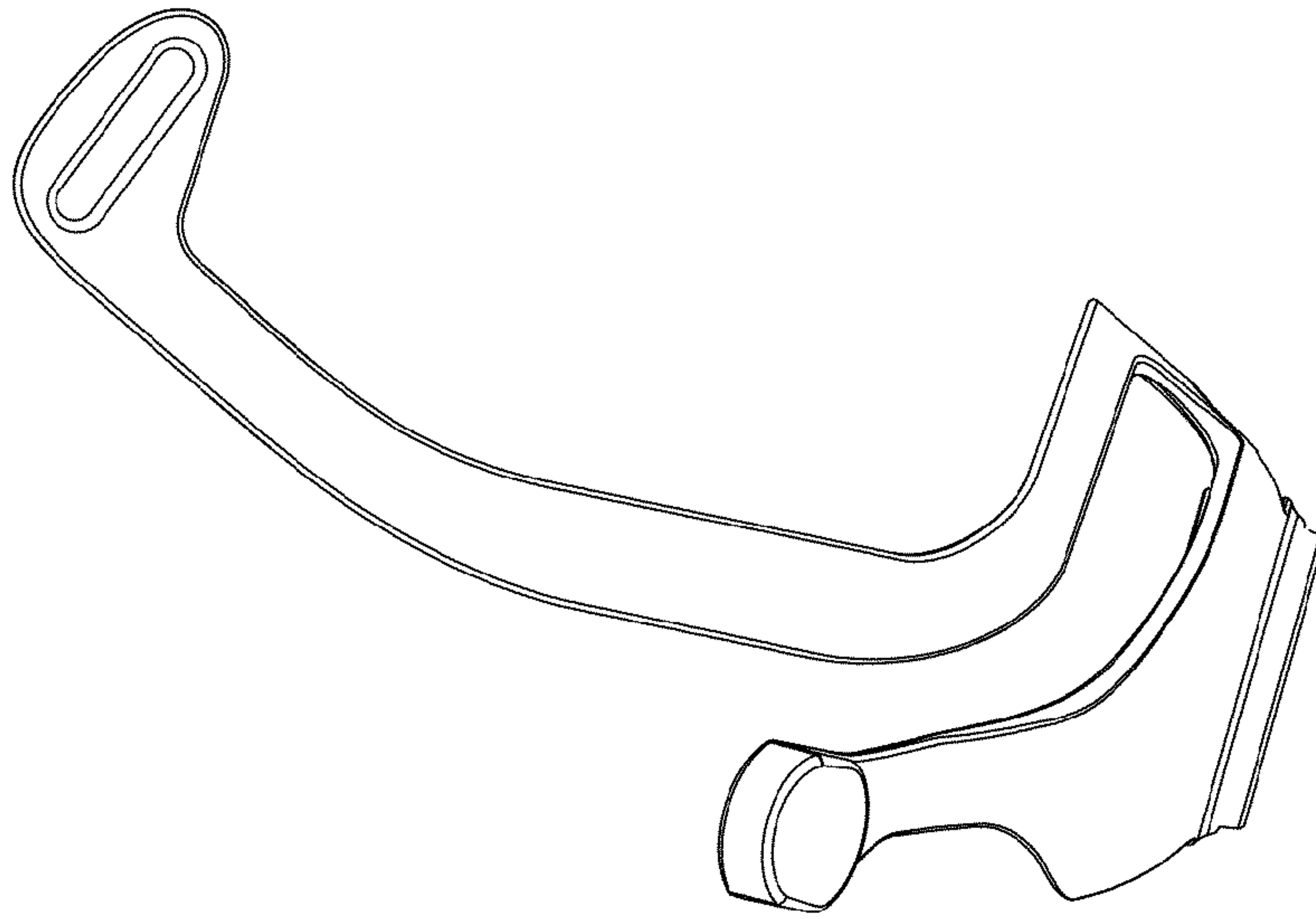


FIG. 15

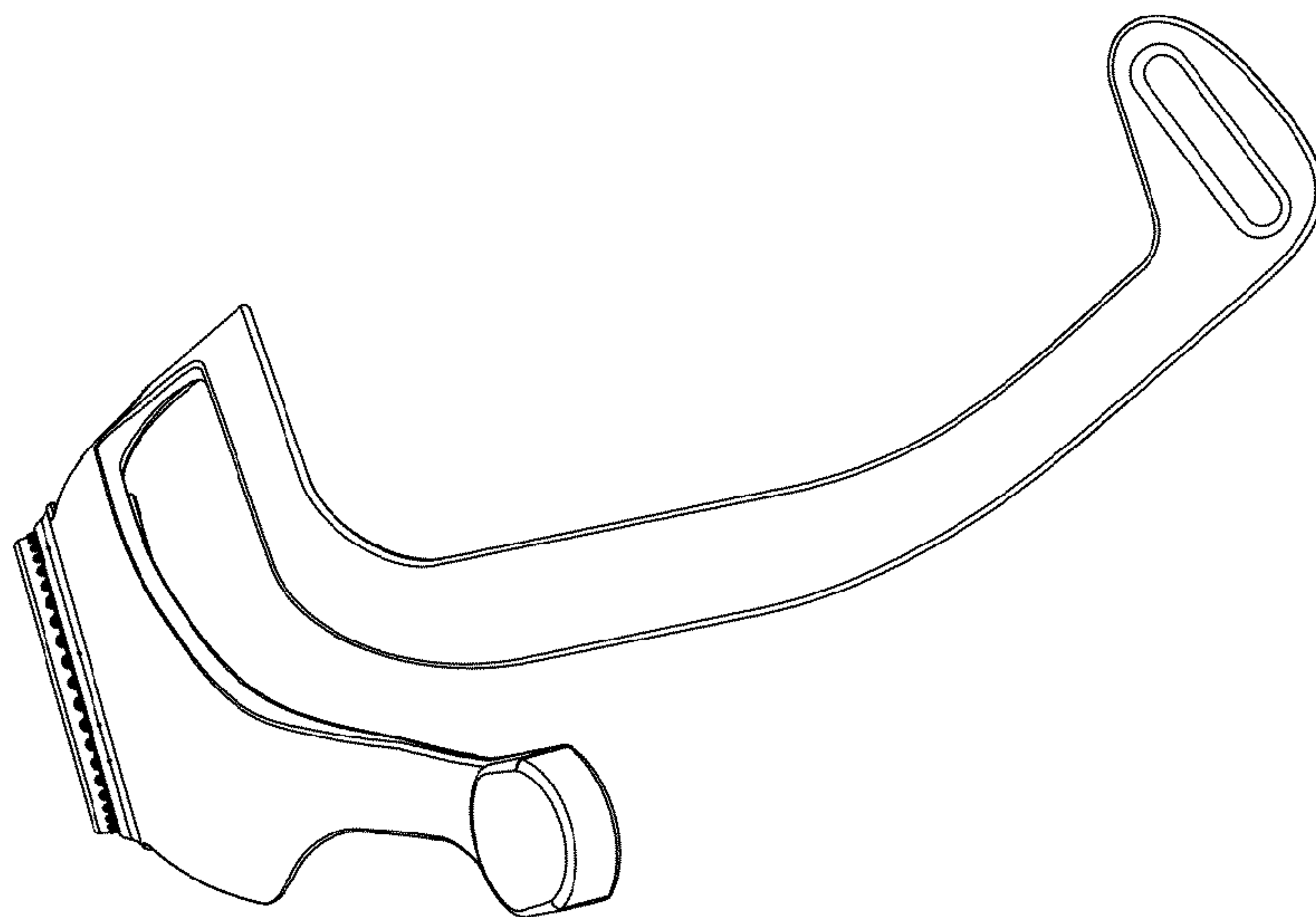


FIG. 16