



US00D740932S

(12) **United States Design Patent**  
**Mittelstadt**

(10) **Patent No.:** **US D740,932 S**  
(45) **Date of Patent:** **\*\* Oct. 13, 2015**

- (54) **RESPIRATOR WITH RAISED FACE SEAL FLEXING REGION**
- (71) Applicant: **3M INNOVATIVE PROPERTIES COMPANY**, St. Paul, MN (US)
- (72) Inventor: **William A. Mittelstadt**, Woodbury, MN (US)
- (73) Assignee: **3M Innovative Properties Company**, St. Paul, MN (US)
- (\*\*) Term: **14 Years**
- (21) Appl. No.: **29/467,802**
- (22) Filed: **Sep. 24, 2013**
- (51) **LOC (10) Cl.** ..... **29-02**
- (52) **U.S. Cl.**  
USPC ..... **D24/110.1**
- (58) **Field of Classification Search**  
USPC ..... D24/110-110.5  
CPC ..... A62B 18/02; A61M 16/0611; A61M 16/0447; A61M 16/0616; A61M 16/0622; A61M 16/06
- See application file for complete search history.

2,874,693	A	2/1959	Matheson	
2,893,387	A *	7/1959	Gongoll et al.	128/206.15
2,895,472	A *	7/1959	Matheson	128/206.15
2,915,060	A *	12/1959	Miner	128/207.11

(Continued)

**FOREIGN PATENT DOCUMENTS**

DE	29700093	3/1997
EM	001862939-0001	5/2011

(Continued)

**OTHER PUBLICATIONS**

Ekastu Safety Half Mask Polimask GAMMA/Silicon information obtained from internet on Mar. 25, 2014: [http://www.ekastu.de/product\\_info.php/language/en/info/p18\\_Halbmaske-Polimask-GAMMA-Silikone.html/XTCsid/4b51b4a707af63184be8a64ba03b9117](http://www.ekastu.de/product_info.php/language/en/info/p18_Halbmaske-Polimask-GAMMA-Silikone.html/XTCsid/4b51b4a707af63184be8a64ba03b9117).

*Primary Examiner* — Deanna L Pratt

*Assistant Examiner* — Lilyana Bekic

(74) *Attorney, Agent, or Firm* — Peter L. Olson

(57) **CLAIM**

The ornamental design for a respirator with raised face seal flexing region, as shown and described.

(56) **References Cited**

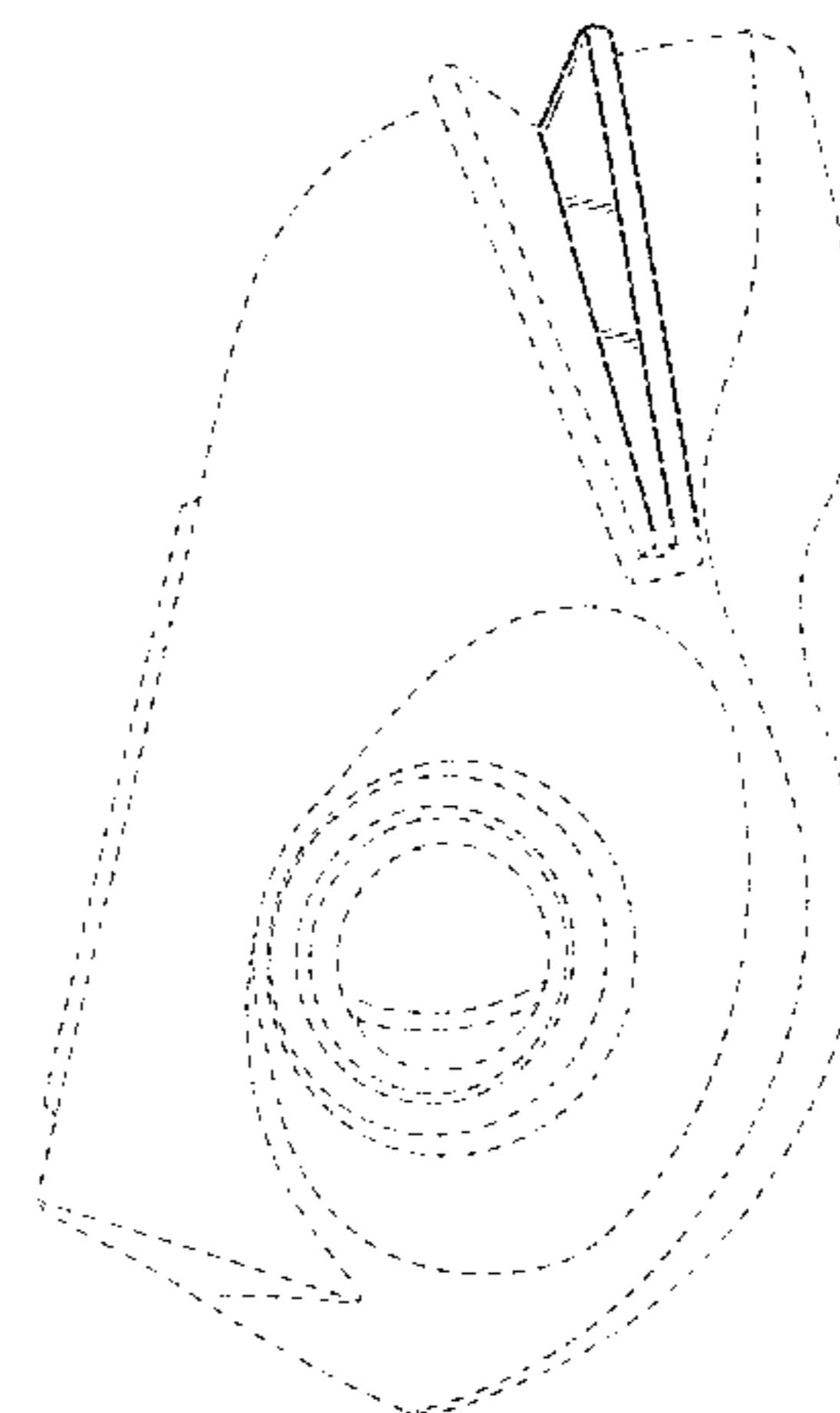
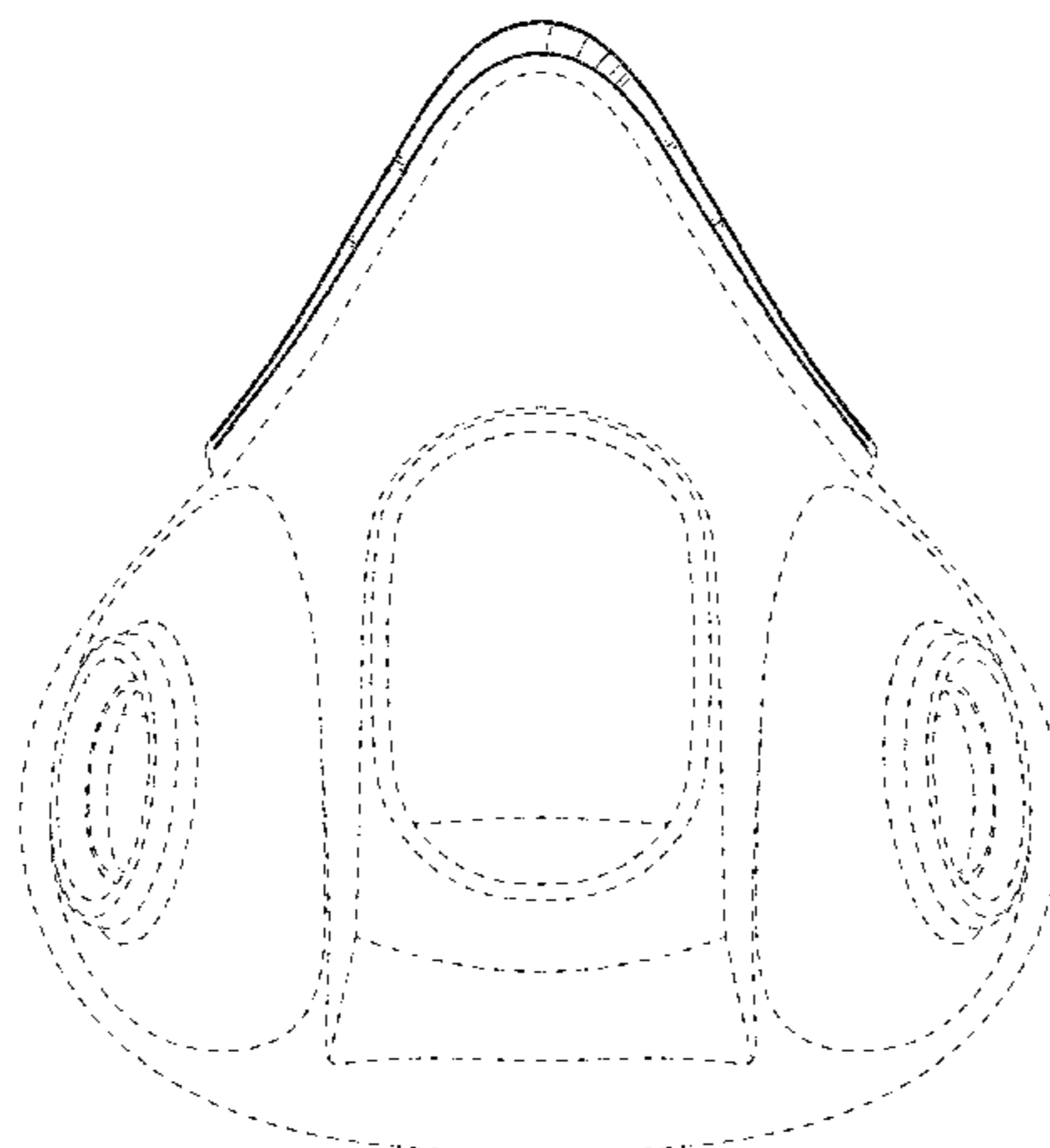
**U.S. PATENT DOCUMENTS**

2,053,896	A *	9/1936	Cover	128/206.17
2,065,775	A *	12/1936	Wahlert	55/382
2,130,555	A *	9/1938	Malcom	55/377
D118,241	S *	12/1939	Lehmberg	D24/110.1
2,376,871	A *	5/1945	Fink	128/201.19
2,378,929	A *	6/1945	Joyce	128/206.15
2,382,364	A *	8/1945	Yant	128/201.19
2,578,007	A *	12/1951	Hill	128/206.17
2,706,983	A *	4/1955	Matheson et al.	128/206.24
D177,058	S *	3/1956	Matheson	D24/110.6
2,823,671	A *	2/1958	Garelick	128/206.15
2,830,584	A *	4/1958	Hollmann et al.	128/207.12
RE24,549	E *	10/1958	Haliczer	128/206.19
2,858,828	A	11/1958	Matheson	

**DESCRIPTION**

FIG. 1 is a front perspective view of a new design for a respirator with raised face seal flexing region.  
FIG. 2 is a front view thereof;  
FIG. 3 is a back view thereof;  
FIG. 4 is a right view thereof, the left view being a mirror image thereof;  
FIG. 5 is a top view thereof; and,  
FIG. 6 is a bottom view thereof.  
The broken lines in the drawing illustrate portions of the respirator with raised face seal flexing region which form no part of the claimed design.

**1 Claim, 3 Drawing Sheets**



(56)

References Cited

U.S. PATENT DOCUMENTS

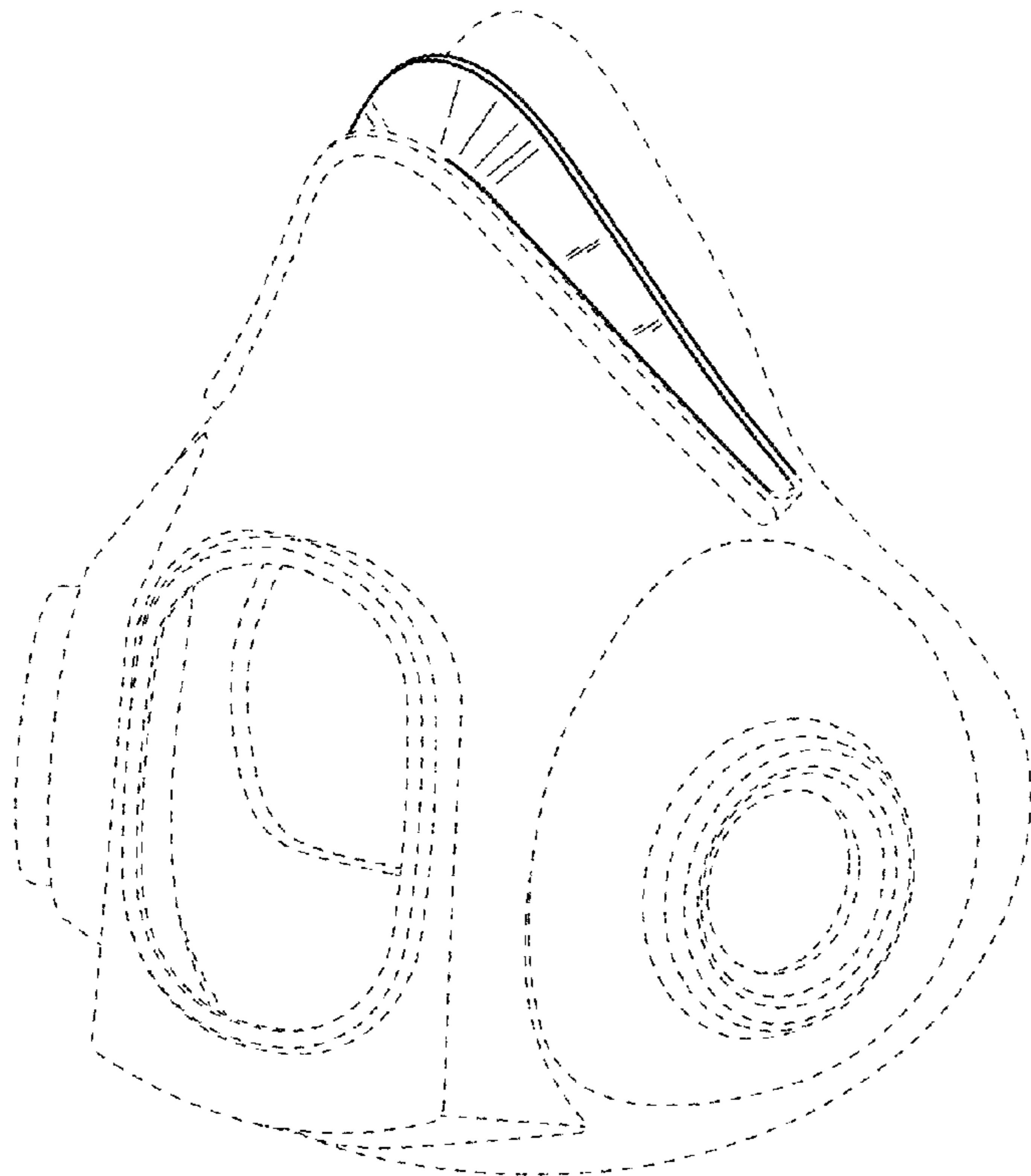
2,964,038 A \* 12/1960 Silverman ..... 128/206.15  
 2,999,498 A \* 9/1961 Matheson ..... 128/206.15  
 3,029,812 A \* 4/1962 Matheson ..... 128/206.15  
 3,037,501 A \* 6/1962 Miller ..... 128/206.29  
 3,220,409 A \* 11/1965 Liloia et al. .... 128/206.19  
 4,248,220 A \* 2/1981 White ..... 128/206.19  
 D267,985 S \* 2/1983 Huber ..... D24/110.1  
 D294,410 S \* 2/1988 Montesi ..... D24/110.1  
 4,739,755 A \* 4/1988 White et al. .... 128/206.12  
 D303,585 S \* 9/1989 White et al. .... D24/110.4  
 D339,658 S \* 9/1993 Lahteenmaki et al. ... D24/110.1  
 5,353,789 A \* 10/1994 Schlobohm ..... 128/206.24  
 6,016,804 A 1/2000 Gleason  
 D464,726 S \* 10/2002 Wolfe ..... D24/110.1  
 6,474,336 B1 \* 11/2002 Wolfe ..... 128/206.21  
 D471,627 S \* 3/2003 Mittelstadt et al. .... D24/110.1  
 6,712,072 B1 3/2004 Lang  
 6,886,559 B2 5/2005 McDonald  
 D519,208 S \* 4/2006 Wolfe ..... D24/110.2  
 7,036,507 B2 \* 5/2006 Jensen ..... 128/206.19  
 7,059,326 B2 6/2006 Heidmann  
 7,121,279 B2 10/2006 Dennis  
 7,171,966 B2 2/2007 Schrader  
 7,762,258 B2 7/2010 Zollinger  
 7,827,990 B1 11/2010 Melidis  
 8,066,006 B2 11/2011 Daugaard  
 8,118,026 B2 2/2012 Gebrewold  
 D659,822 S \* 5/2012 Matula et al. .... D24/110.1  
 D659,823 S \* 5/2012 Matula et al. .... D24/110.1  
 8,176,918 B2 5/2012 Teng  
 8,267,088 B2 9/2012 Steindorf  
 8,342,180 B2 1/2013 Martin  
 D677,779 S \* 3/2013 Turdjian et al. .... D24/110.1  
 D680,215 S \* 4/2013 Campbell ..... D24/110.1

D685,085 S \* 6/2013 Amirav et al. .... D24/110.1  
 D686,725 S \* 7/2013 Amirav et al. .... D24/110.1  
 D687,142 S \* 7/2013 Rothermel ..... D24/110.4  
 8,550,084 B2 10/2013 Ng  
 D693,462 S \* 11/2013 Rothermel et al. .... D24/110.4  
 8,631,792 B2 1/2014 Ho  
 D700,317 S \* 2/2014 Turdjian et al. .... D24/110.1  
 D703,808 S \* 4/2014 Bowsher ..... D24/110.4  
 8,720,443 B2 5/2014 Kooij  
 D717,942 S \* 11/2014 Neff et al. .... D24/127  
 D717,945 S \* 11/2014 Neff et al. .... D24/127  
 D720,846 S \* 1/2015 Bowsher ..... D24/110.4  
 2003/0127101 A1 \* 7/2003 Dennis ..... 128/206.21  
 2007/0272169 A1 11/2007 Barney  
 2009/0000623 A1 \* 1/2009 Lynch et al. .... 128/206.24  
 2009/0078264 A1 3/2009 Martin  
 2009/0139526 A1 6/2009 Melidis  
 2009/0188506 A1 7/2009 Duke  
 2009/0217926 A1 9/2009 Hine  
 2010/0313891 A1 12/2010 Veliss  
 2011/0290253 A1 12/2011 McAuley  
 2012/0060843 A1 \* 3/2012 Magidson et al. .... 128/206.19  
 2012/0080035 A1 \* 4/2012 Guney et al. .... 128/205.25  
 2012/0234326 A1 9/2012 Mazzone  
 2013/0133664 A1 5/2013 Startare  
 2014/0290663 A1 \* 10/2014 Rothermel ..... 128/206.24  
 2014/0305433 A1 \* 10/2014 Rothermel ..... 128/202.27  
 2014/0311496 A1 \* 10/2014 Rothermel ..... 128/206.24

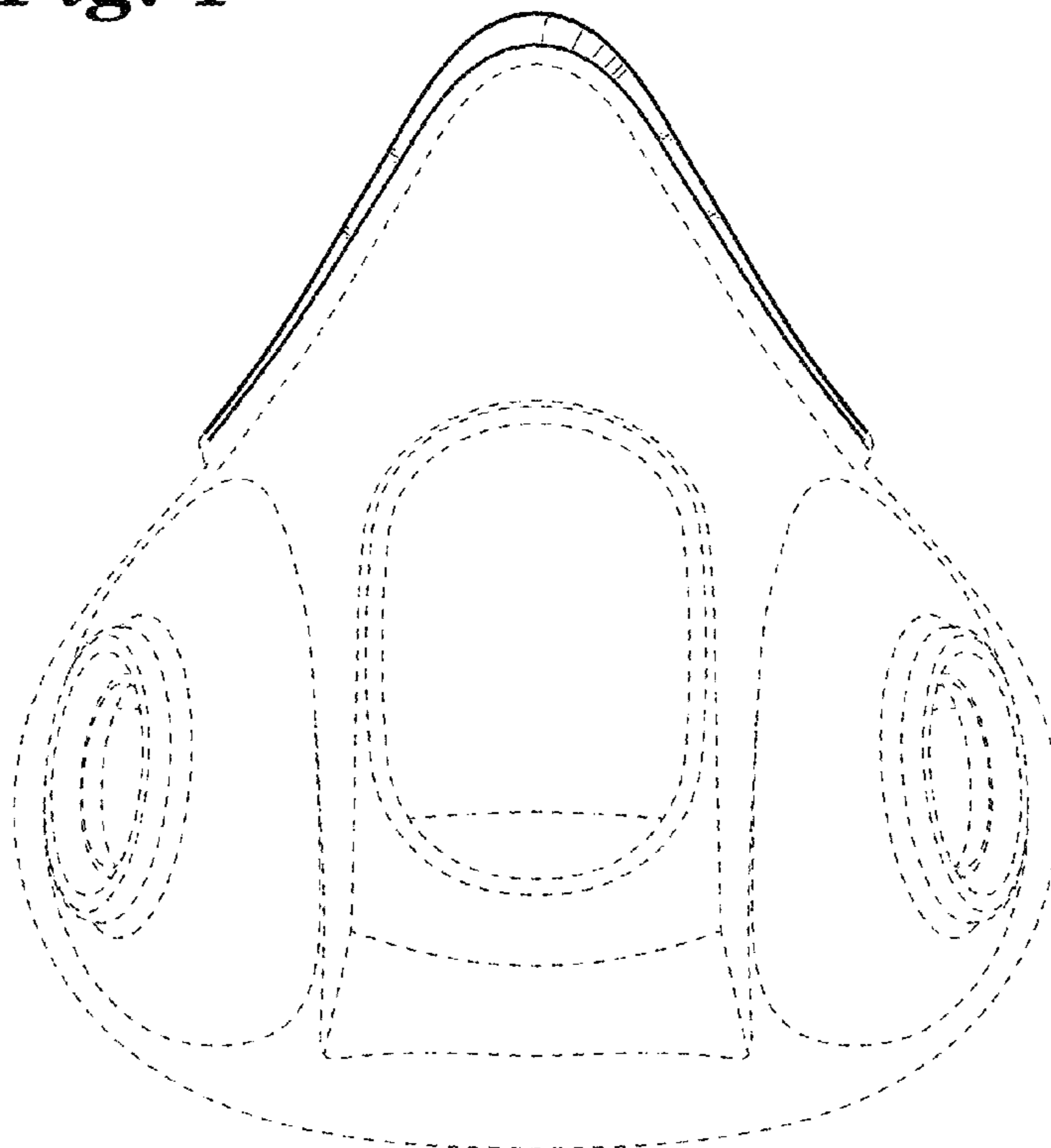
FOREIGN PATENT DOCUMENTS

EP 1582231 10/2005  
 GB 2490507 11/2012  
 WO 2004/071565 8/2004  
 WO 2009/038857 3/2009  
 WO 2012/140514 10/2012

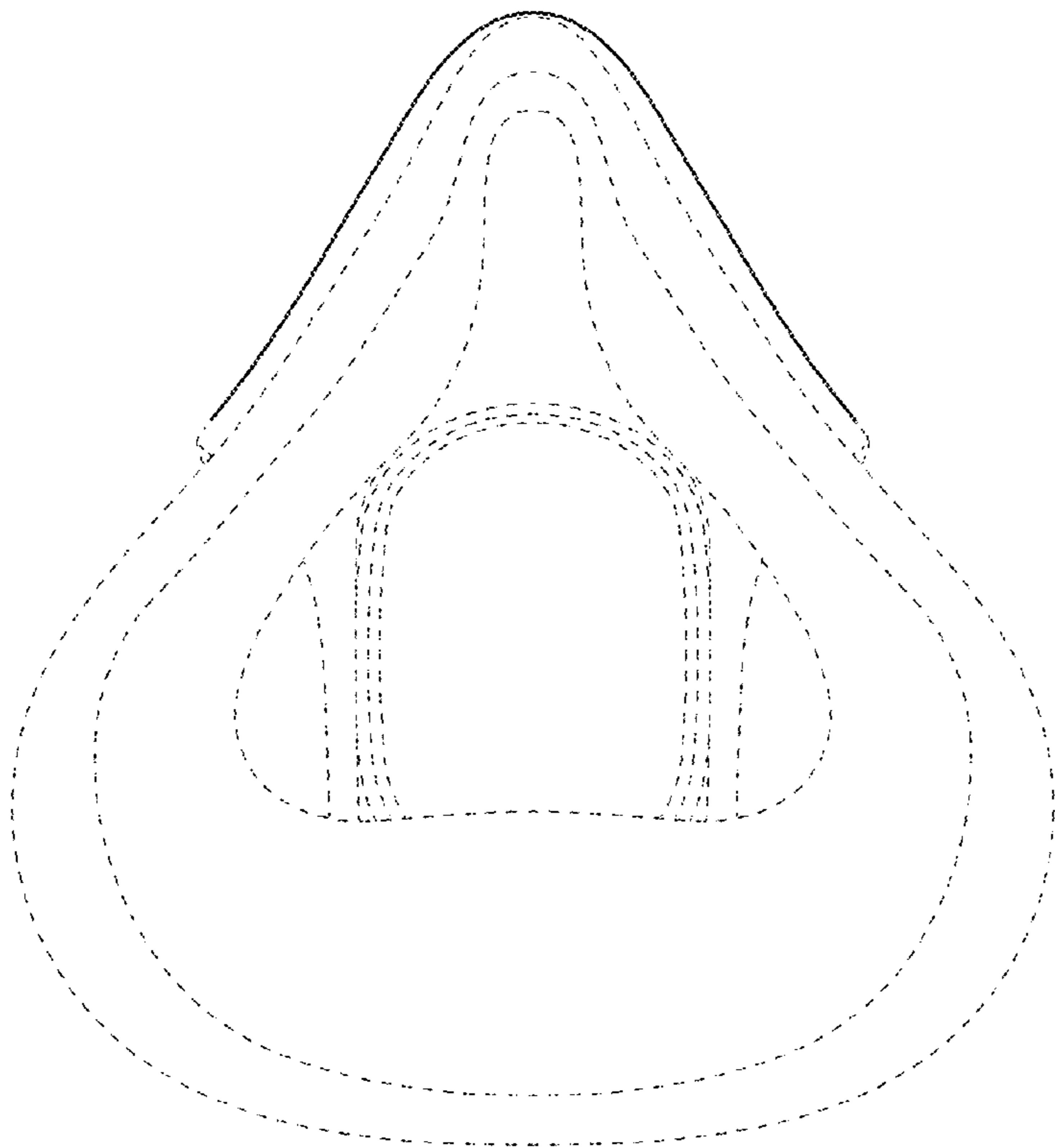
\* cited by examiner



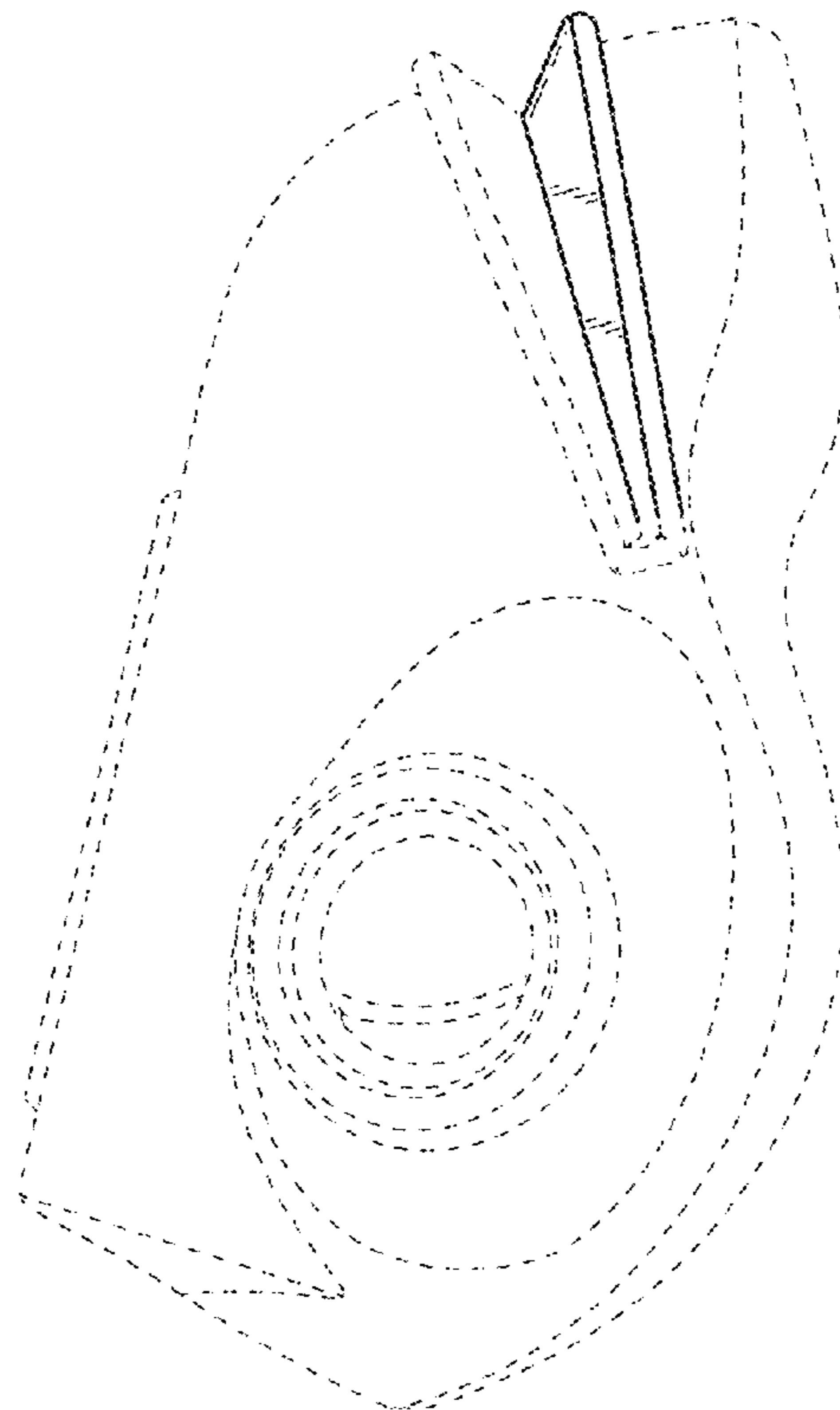
*Fig. 1*



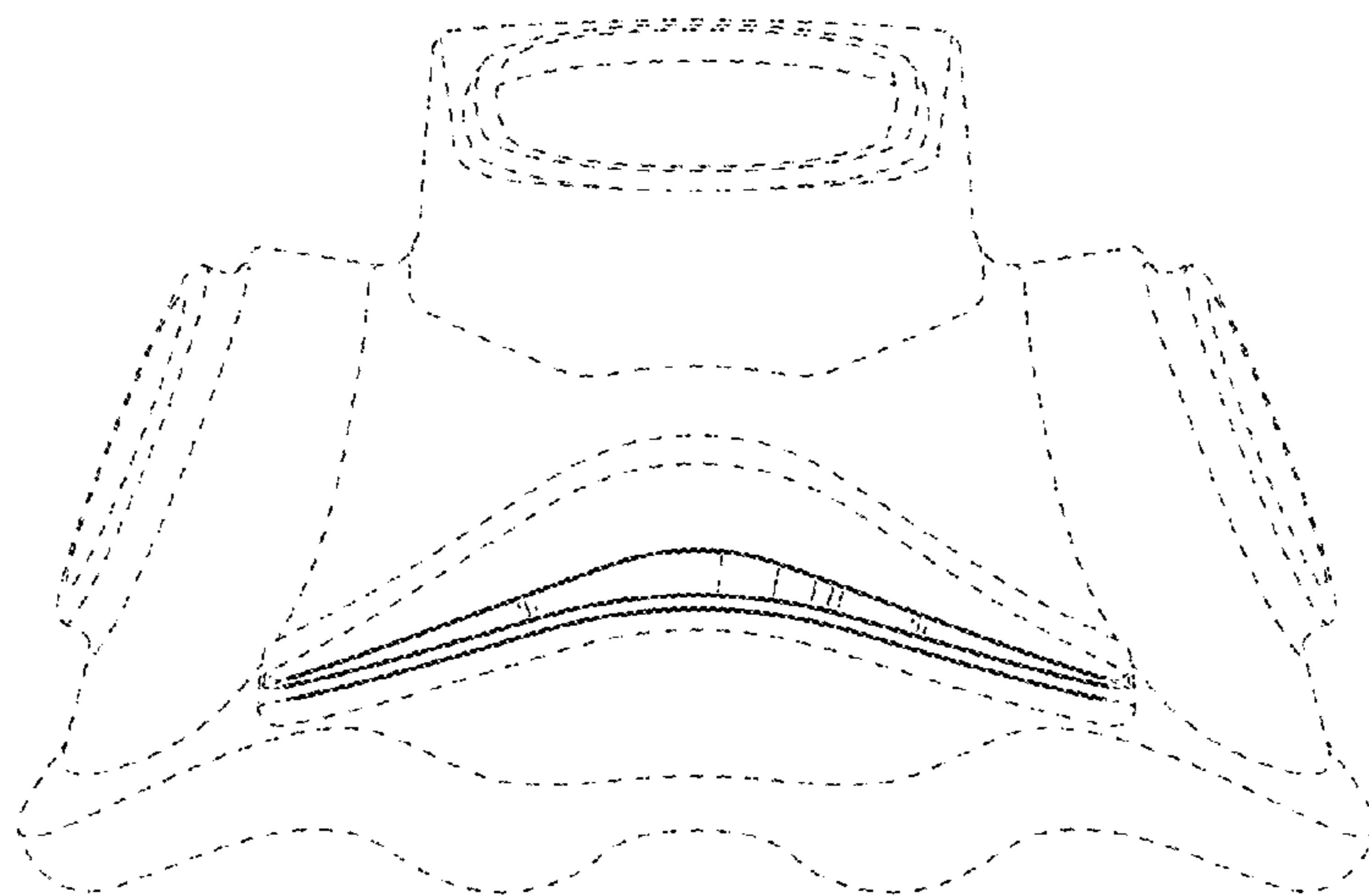
*Fig. 2*



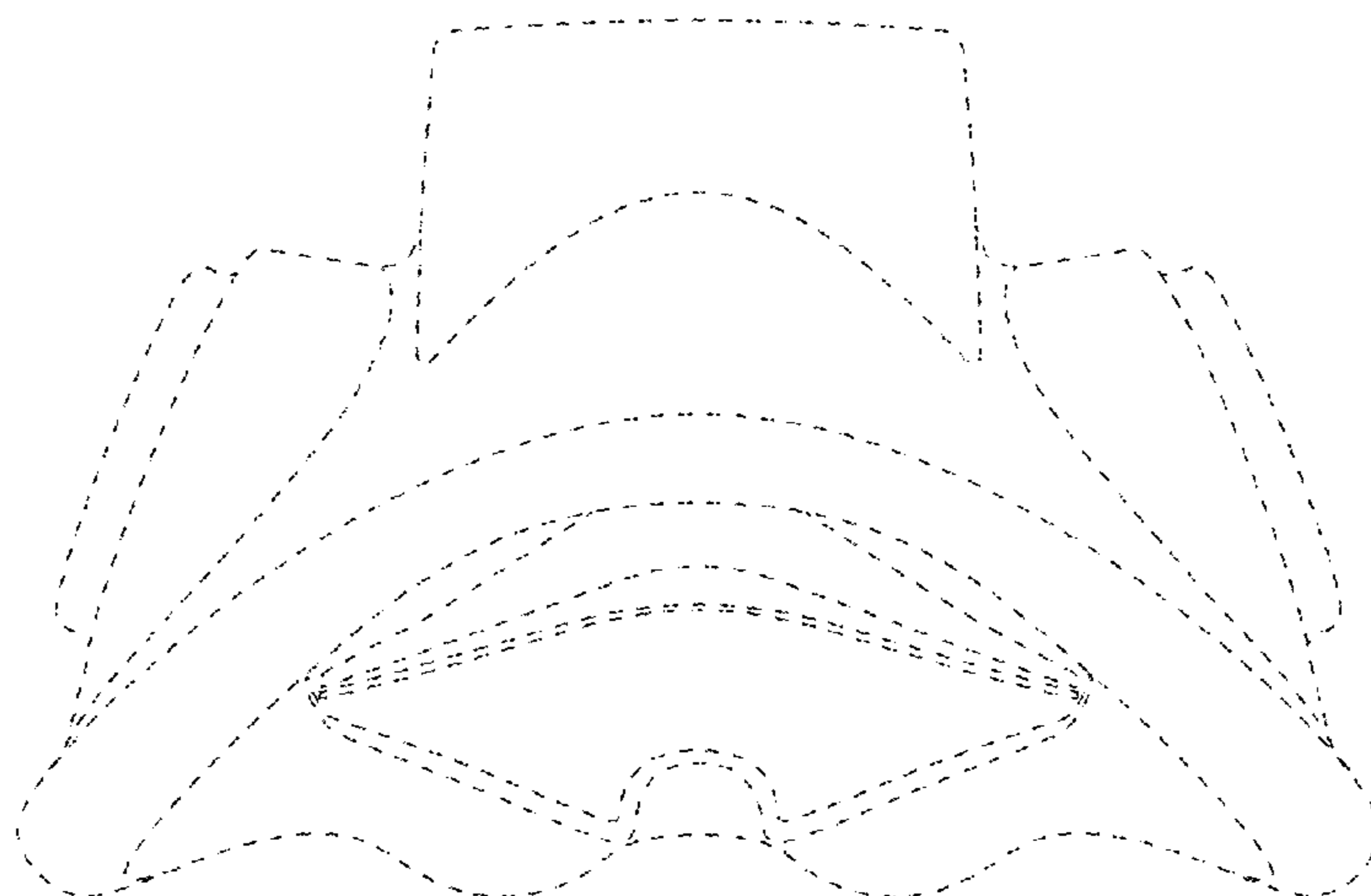
*Fig. 3*



*Fig. 4*



*Fig. 5*



*Fig. 6*