



US00D740931S

(12) **United States Design Patent**
Fu et al.

(10) **Patent No.:** **US D740,931 S**
(45) **Date of Patent:** **** Oct. 13, 2015**

(54) **FOREHEAD PAD**

(75) Inventors: **Timothy Tsun-Fai Fu**, Pyrmont (AU);
Memduh Guney, Killara (AU); **Perry**
D. Lithgow, Moruya (AU)

(73) Assignee: **RESMED LIMITED**, Bella Vista (AU)

(**) Term: **14 Years**

(21) Appl. No.: **29/371,498**

(22) Filed: **Mar. 25, 2011**

Related U.S. Application Data

(60) Continuation of application No. 29/347,323, filed on Dec. 4, 2009, now Pat. No. Des. 637,284, which is a continuation of application No. 29/290,341, filed on Nov. 21, 2007, now Pat. No. Des. 607,994, which is a continuation of application No. 29/232,794, filed on Jun. 24, 2005, now Pat. No. Des. 567,935, which is a continuation of application No. 29/207,546, filed on Jun. 16, 2004, now Pat. No. Des. 545,960, which is a continuation of application No. 29/194,449, filed on Nov. 25, 2003, now Pat. No. Des. 493,522, which is a division of application No. 29/170,558, filed on Nov. 8, 2002, now Pat. No. Des. 486,227.

(51) **LOC (10) Cl.** **29-02**

(52) **U.S. Cl.**
USPC **D24/110.1**

(58) **Field of Classification Search**
USPC D24/110, 110.1, 110.4; 128/112.1,
128/206.27, 206.24, 207.11
CPC A61M 16/06; A61M 16/0633; A61M
16/0638
See application file for complete search history.

(56) **References Cited**

U.S. PATENT DOCUMENTS

2,804,072 A 8/1957 Genzer
D242,743 S 12/1976 Leight

4,782,832 A * 11/1988 Trimble et al. 128/207.18
D322,318 S 12/1991 Sullivan
D358,463 S 5/1995 Falco
D371,193 S 6/1996 Myers et al.
5,781,272 A 7/1998 Bright et al.

(Continued)

FOREIGN PATENT DOCUMENTS

AT 50770 10/2002
DE 10045183 5/2002

(Continued)

OTHER PUBLICATIONS

Fu et al., Parent U.S. Appl. No. 29/347,323, filed Dec. 4, 2009.

(Continued)

Primary Examiner — Ian Simmons

Assistant Examiner — Richelle Shelton

(74) *Attorney, Agent, or Firm* — Nixon & Vanderhye, P.C.

(57)

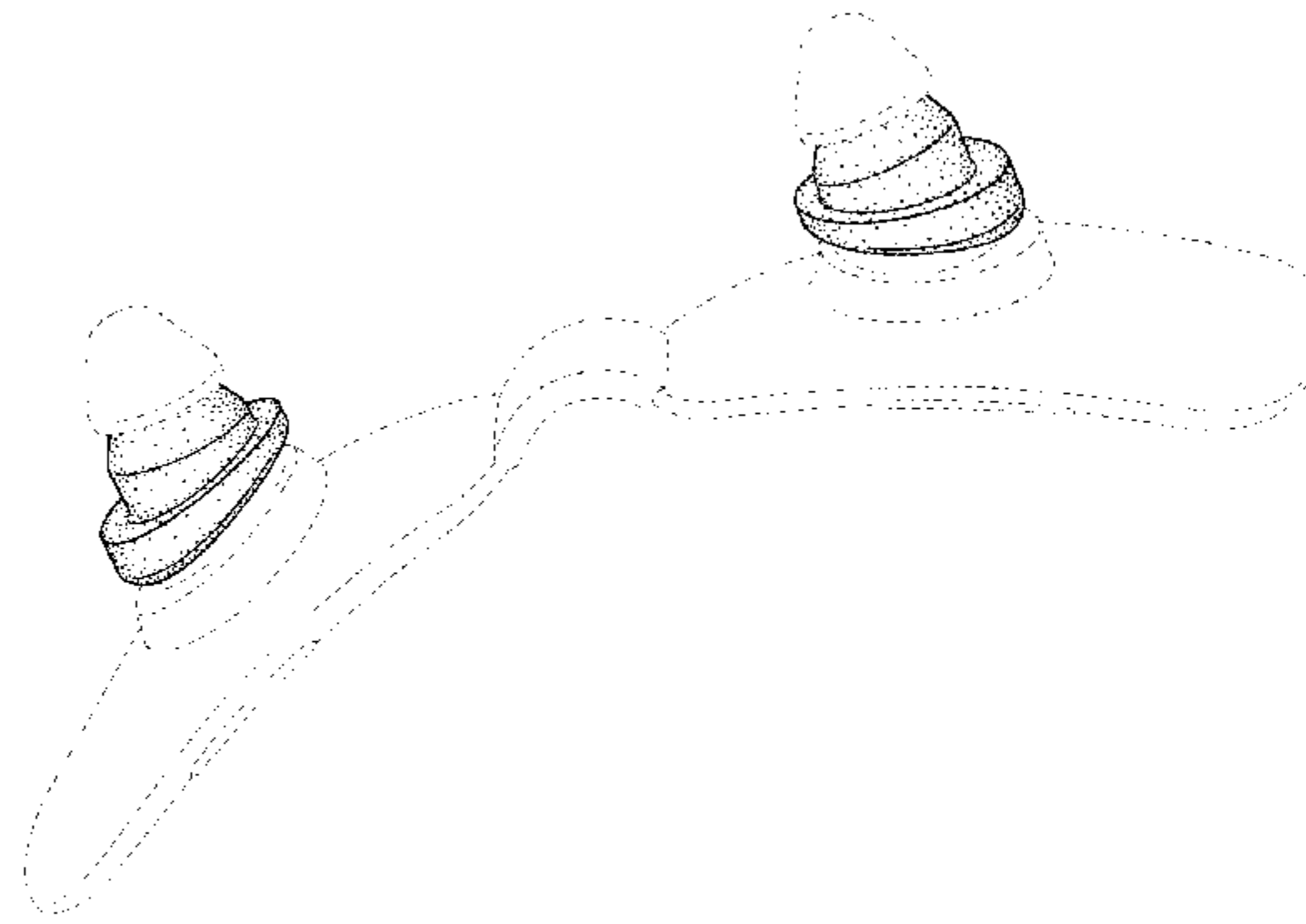
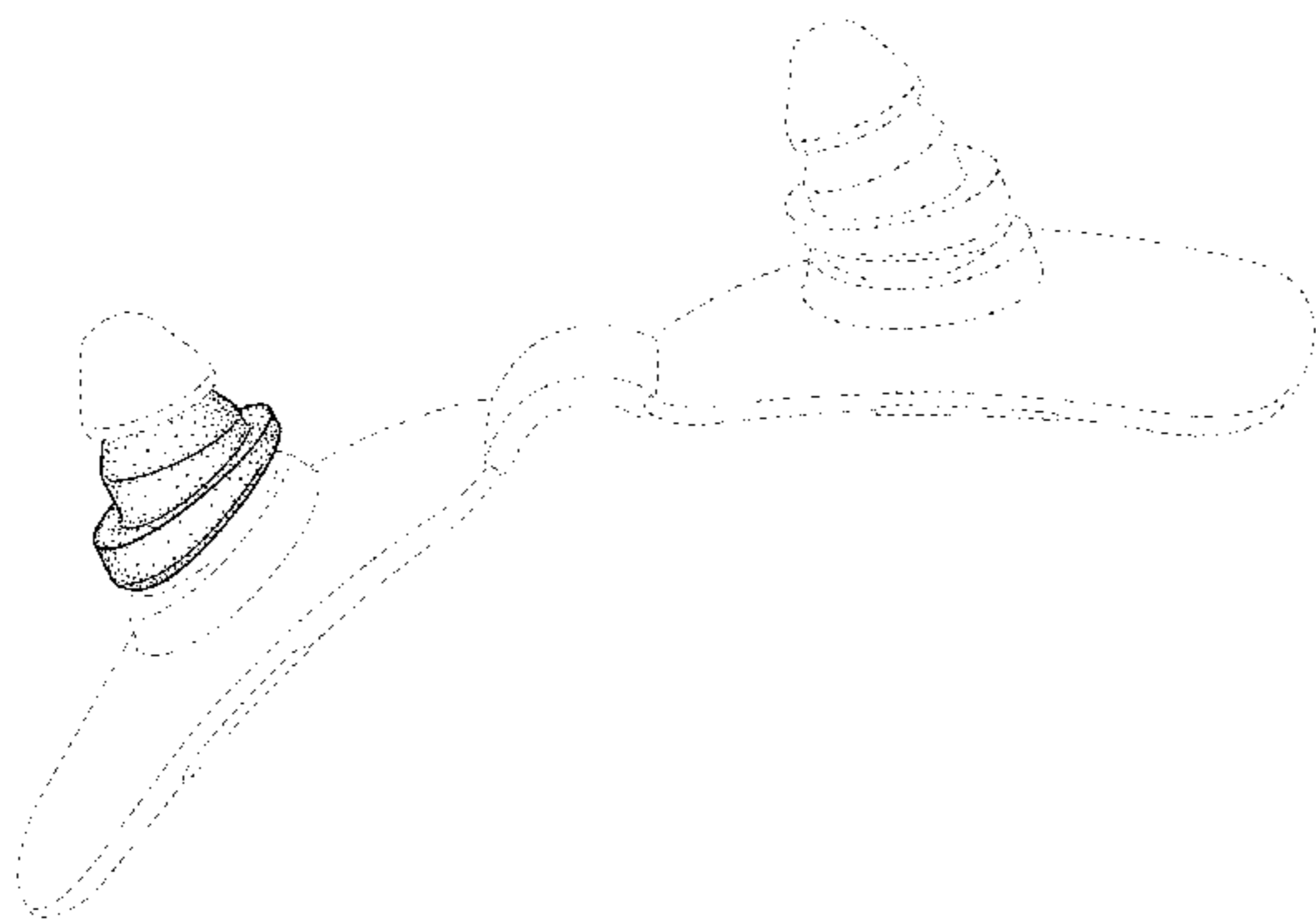
CLAIM

The ornamental design for a forehead pad, as shown and described.

DESCRIPTION

FIG. 1 is a perspective view of a forehead pad according to a first embodiment showing our new ornamental design; FIG. 2 is a top view thereof; FIG. 3 is a left side view thereof; FIG. 4 is a front view thereof; FIG. 5 is a perspective view of a forehead pad according to a second embodiment showing our new ornamental design; FIG. 6 is a top view thereof; FIG. 7 is a left side view thereof; and, FIG. 8 is a front view thereof. The broken line showing is for the purposes of illustrating environmental structure and forms no part of the claimed design.

1 Claim, 8 Drawing Sheets



(56)

References Cited

U.S. PATENT DOCUMENTS

D402,755 S 12/1998 Kwok
 6,044,844 A 4/2000 Kwok et al.
 D427,304 S 6/2000 Magidson et al.
 D428,987 S 8/2000 Kwok
 6,119,693 A 9/2000 Kwok et al.
 D439,326 S 3/2001 Hecker et al.
 D441,860 S 5/2001 Kopacko et al.
 D443,355 S 6/2001 Gunaratnam et al.
 D445,893 S 7/2001 Remer et al.
 D458,365 S 6/2002 Kopacko et al.
 6,431,172 B1* 8/2002 Bordewick 128/207.18
 6,484,726 B1* 11/2002 Remer et al. 128/864
 D468,823 S 1/2003 Smart
 6,520,182 B1 2/2003 Gunaratnam
 6,532,961 B1 3/2003 Gunaratnam et al.
 6,561,190 B1 5/2003 Kwok
 6,581,594 B1 6/2003 Drew et al.
 6,581,602 B2 6/2003 Kwok et al.
 D484,237 S 12/2003 Lang et al.
 6,679,261 B2 1/2004 Lithgow et al.
 D486,227 S* 2/2004 Fu et al. D24/110.1
 D493,522 S* 7/2004 Fu et al. D24/110.1
 6,823,869 B2 11/2004 Raje et al.
 6,832,610 B2 12/2004 Gradon et al.
 D502,260 S 2/2005 Lang et al.
 6,860,269 B2 3/2005 Kwok et al.
 D515,204 S 2/2006 Guney et al.
 D515,698 S 2/2006 Lang et al.
 7,000,614 B2 2/2006 Lang et al.
 D533,269 S* 12/2006 McAuley et al. D24/110.6
 7,216,647 B2 5/2007 Lang et al.
 D545,960 S* 7/2007 Fu et al. D24/110.1
 D550,352 S* 9/2007 Chandran et al. D24/110.1
 D567,935 S* 4/2008 Fu et al. D24/110.1

D572,816 S 7/2008 Lang et al.
 D585,982 S 2/2009 Lang et al.
 D589,139 S* 3/2009 Guney et al. D24/110.1
 D589,140 S* 3/2009 Guney et al. D24/110.1
 D607,994 S* 1/2010 Fu et al. D24/110.1
 7,708,017 B2* 5/2010 Davidson et al. 128/206.24
 D637,284 S* 5/2011 Fu et al. D24/110.1
 D674,480 S* 1/2013 Prentice et al. D24/110.1
 2003/0062048 A1 4/2003 Gradon et al.
 2003/0075182 A1 4/2003 Heidmann et al.
 2003/0089373 A1 5/2003 Gradon et al.
 2004/0045550 A1 3/2004 Lang et al.
 2004/0094157 A1 5/2004 Dantanarayana et al.
 2004/0112387 A1 6/2004 Lang et al.
 2004/0118406 A1 6/2004 Lithgow et al.
 2004/0255949 A1 12/2004 Lang et al.
 2005/0011521 A1 1/2005 Sprinkle et al.
 2005/0011522 A1 1/2005 Ho et al.
 2005/0199239 A1* 9/2005 Lang et al. 128/206.24
 2005/0211252 A1* 9/2005 Lang et al. 128/207.11
 2009/0044806 A1* 2/2009 Burz et al. 128/205.25
 2011/0056498 A1* 3/2011 Lang et al. 128/206.24

FOREIGN PATENT DOCUMENTS

WO WO 99/58181 11/1999
 WO WO 01/97892 12/2001

OTHER PUBLICATIONS

Office Action issued in corresponding U.S. Appl. No. 29/451,571 on Nov. 7, 2013, including: PTO-892 listing, which cites D645,5777 (Sep. 2011, Scheiner et al.).
 Fu et al., U.S. Appl. No. 29/347,323, filed Dec. 4, 2009.
 Instruction Manual for Papillon Mask, © Map Medizin-Technologie GmbH, Mar. 2002, 4 pages.

* cited by examiner

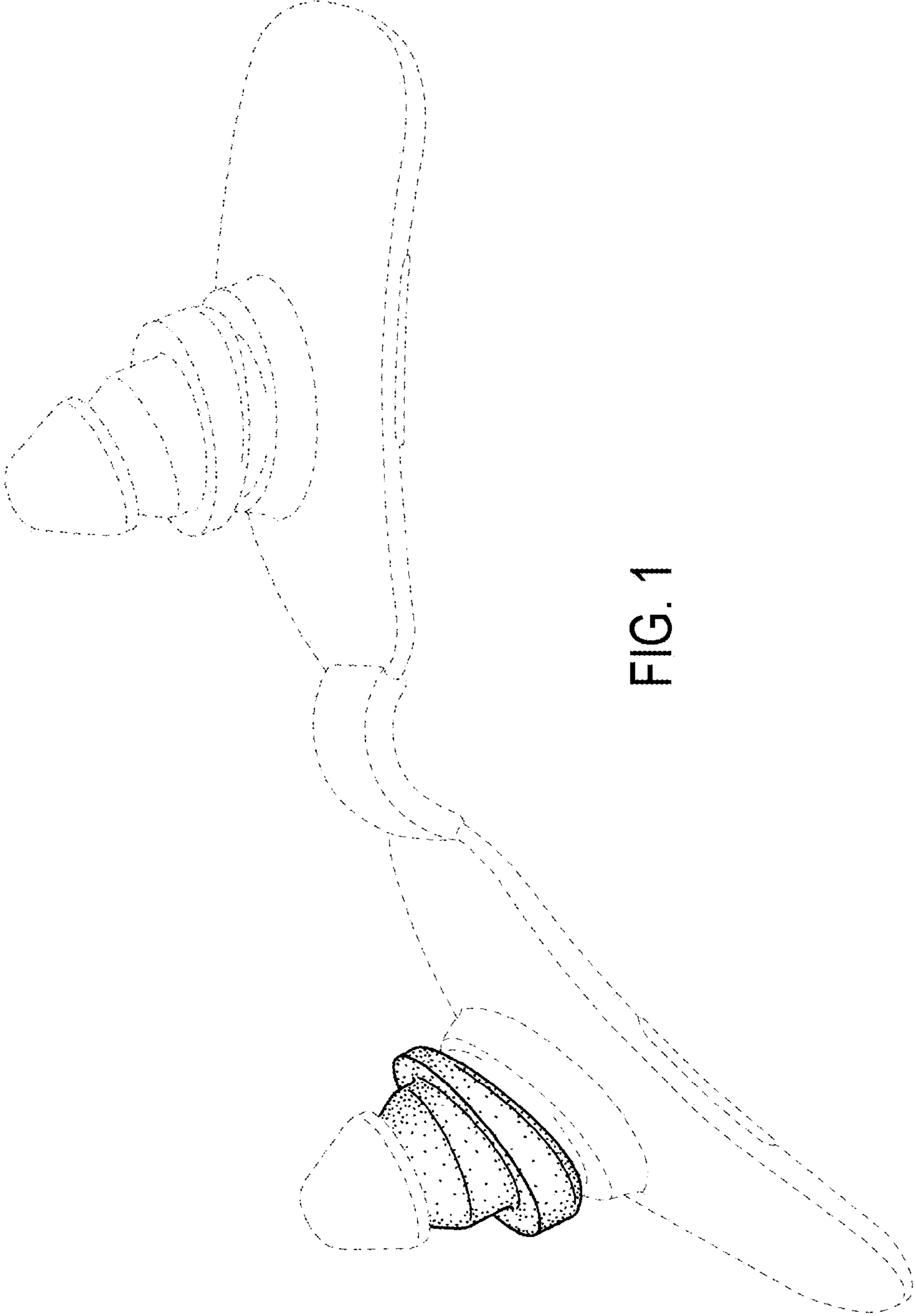


FIG. 1

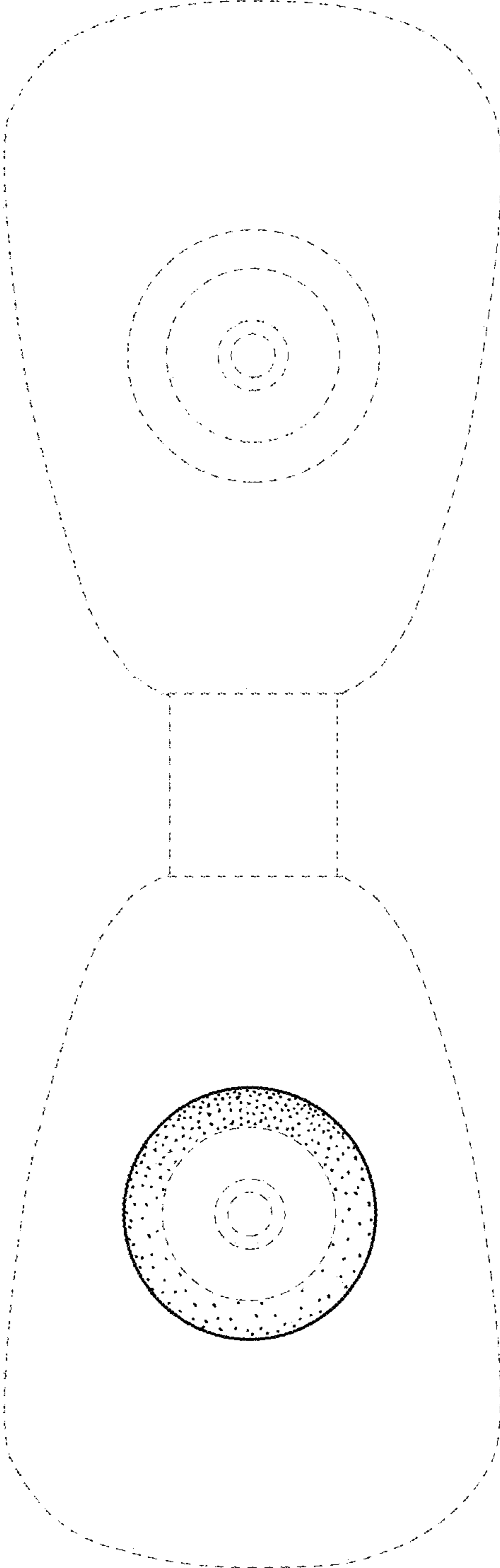


FIG. 2

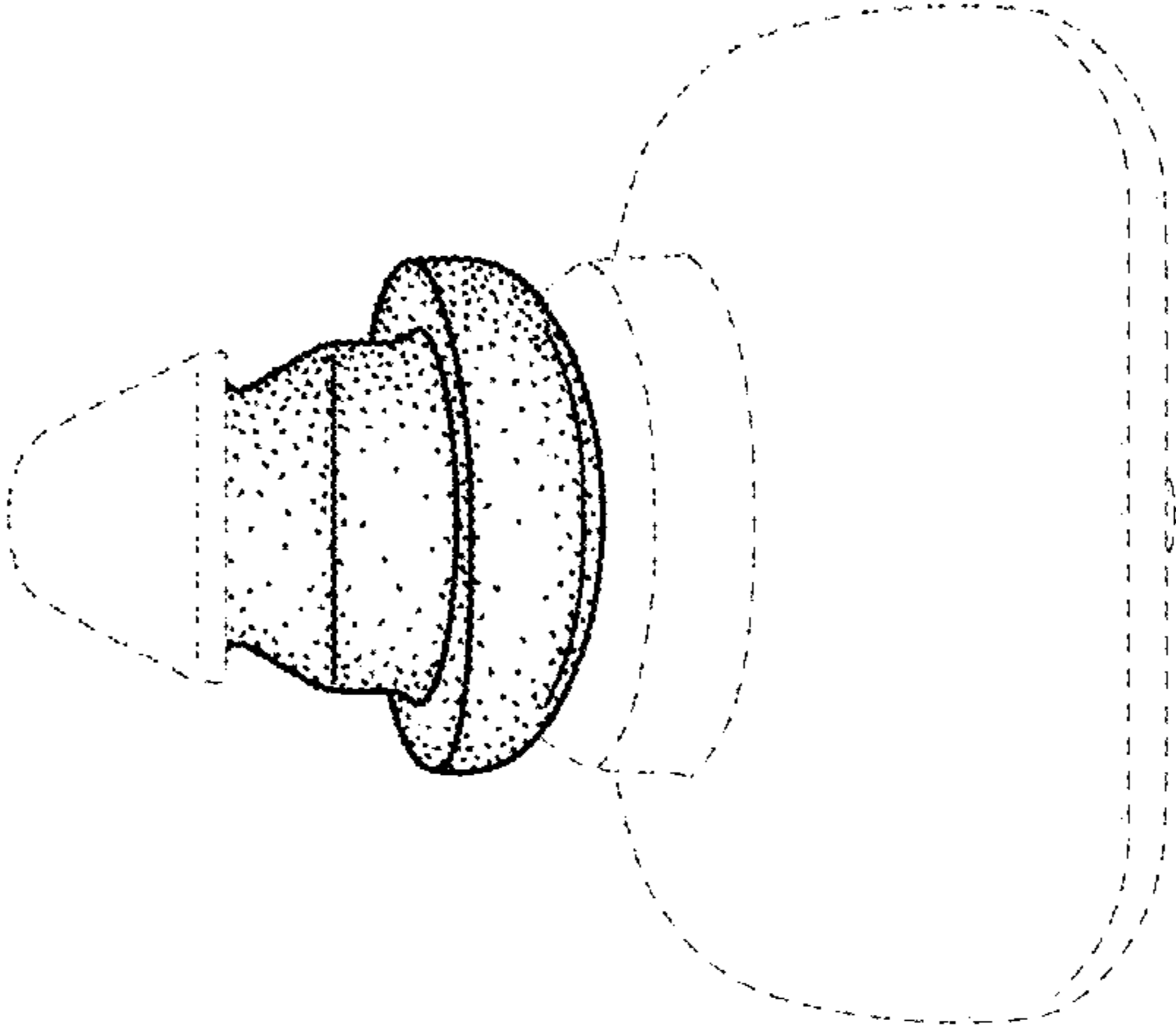


FIG. 3

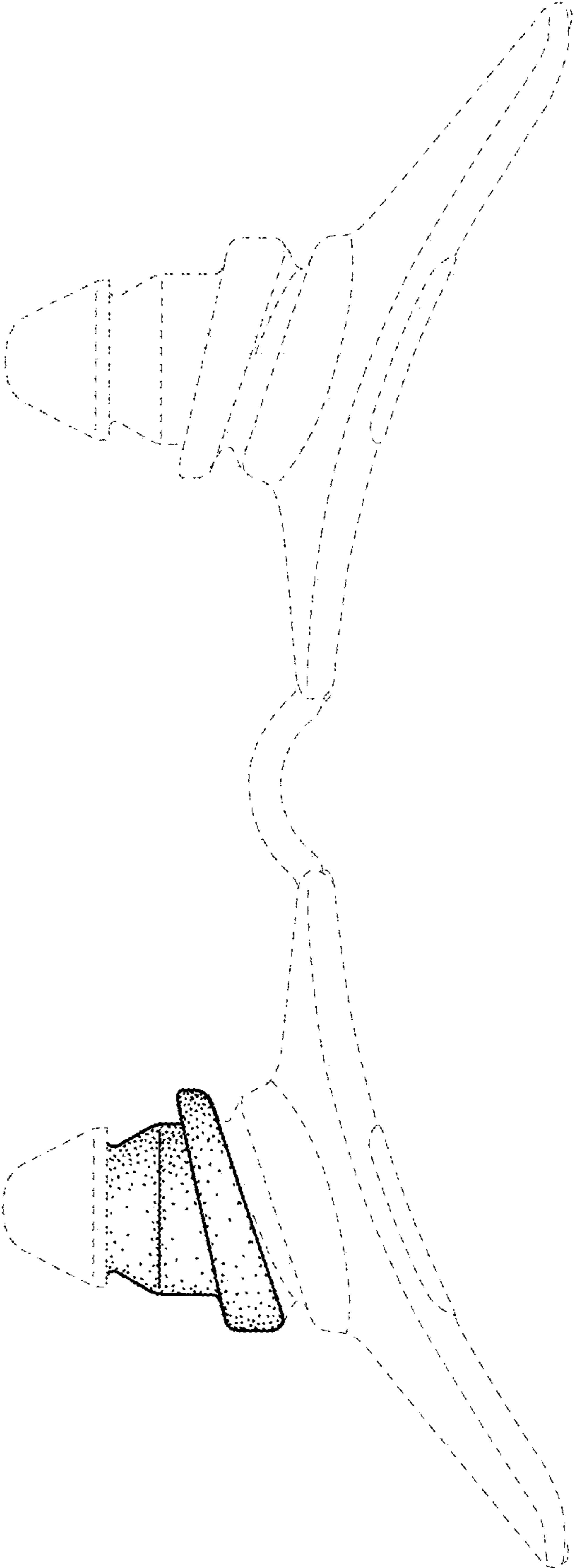


FIG. 4

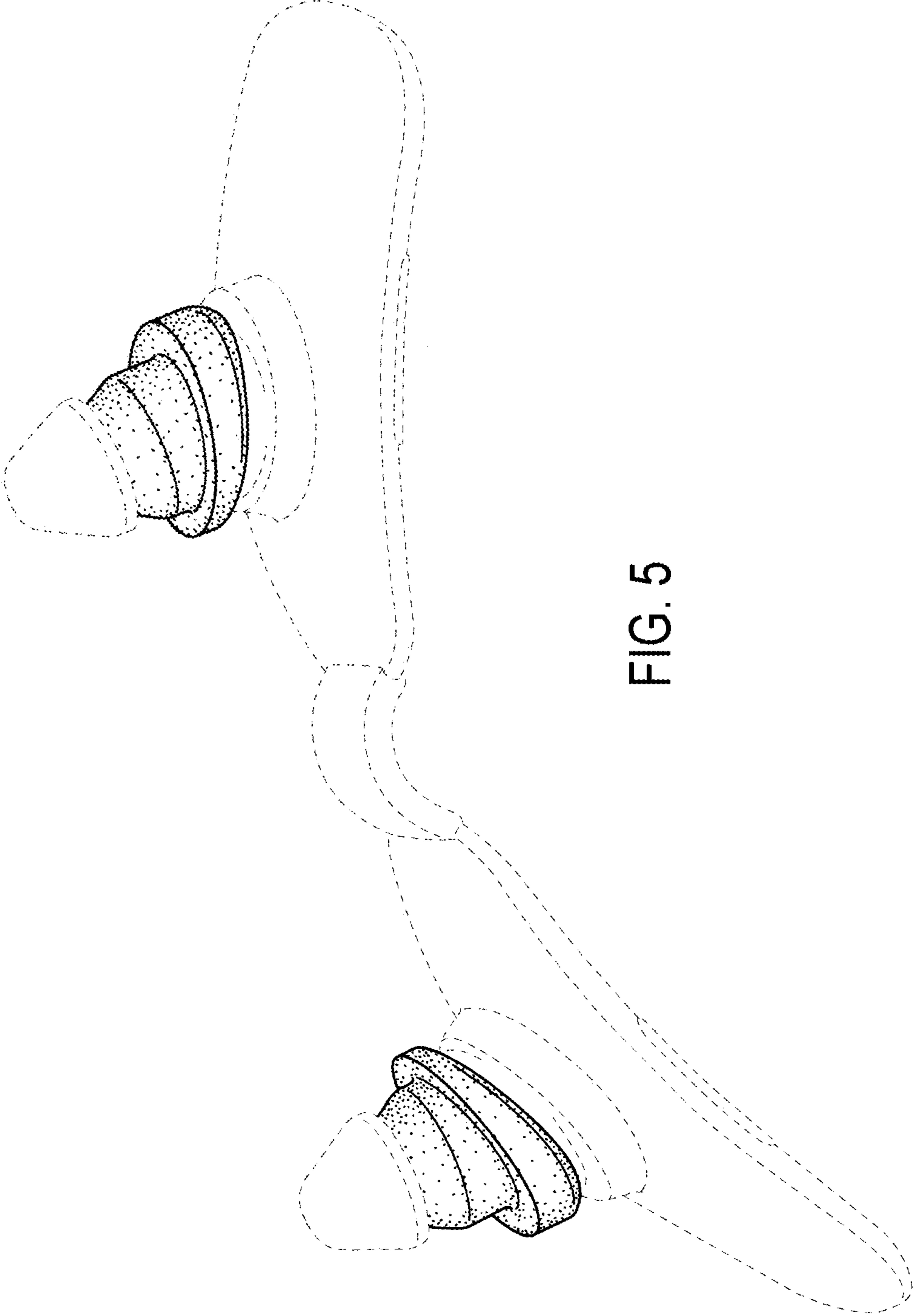


FIG. 5

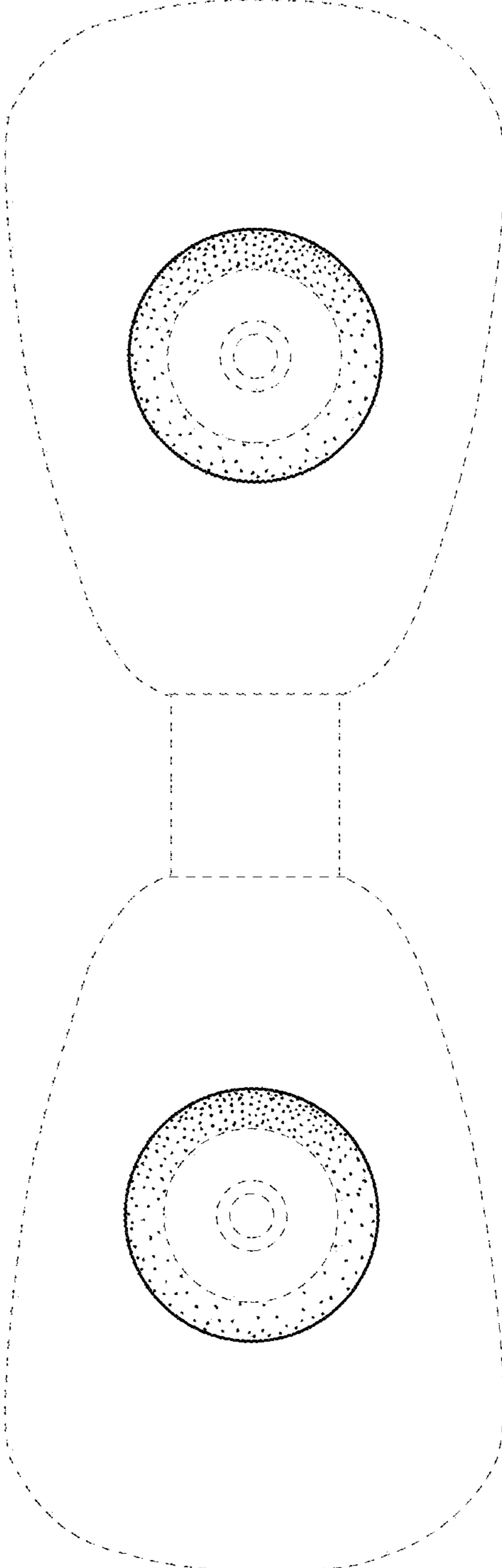


FIG. 6

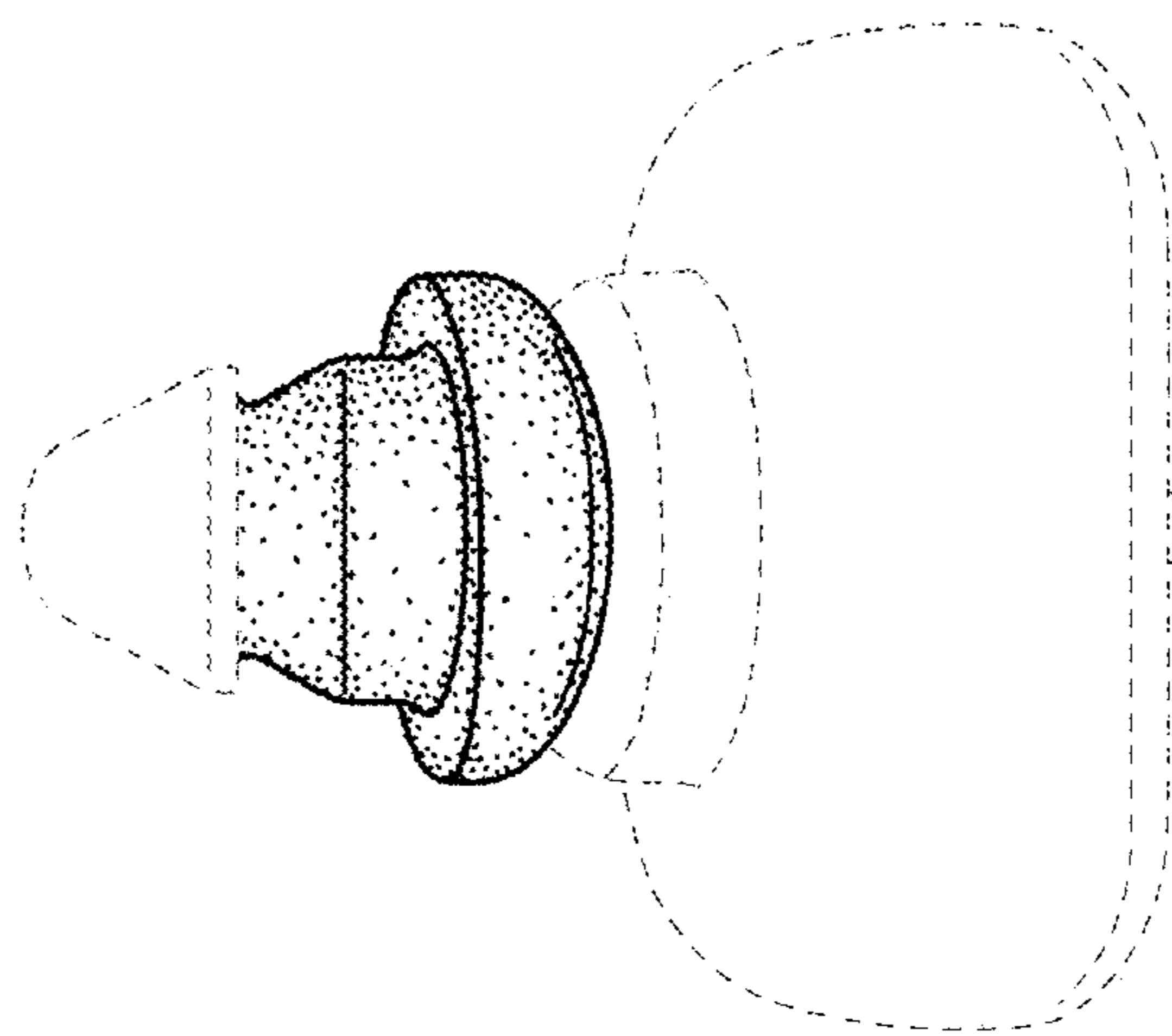


FIG. 7

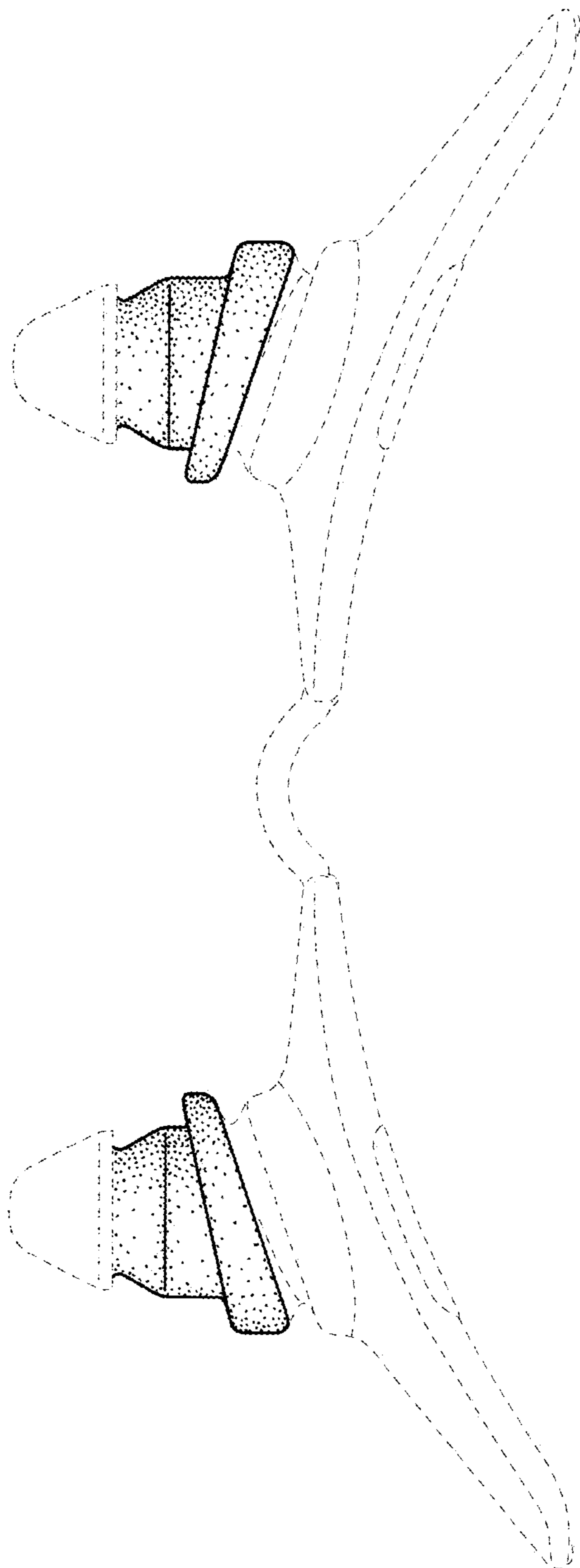


FIG. 8