



US00D740930S

(12) **United States Design Patent**
Pipe et al.

(10) **Patent No.:** **US D740,930 S**
(45) **Date of Patent:** **** Oct. 13, 2015**

(54) **NEBULIZER COMPRESSOR**

(71) Applicant: **KONINKLIJKE PHILIPS N.V.**,
Eindhoven (NL)
(72) Inventors: **Jeffrey Andrew Pipe**, Pittsburgh, PA
(US); **Paul Denis McGroary**, Gibsonia,
PA (US); **Jan Schminke**, Munich (DE);
Justin David Cumming, Topsfield, MA
(US); **Jason J. Cooper**, Watertown, MA
(US)

(73) Assignee: **KONINKLIJKE PHILIPS N.V.**,
Eindhoven (NL)

(**) Term: **14 Years**

(21) Appl. No.: **29/458,134**

(22) Filed: **Jun. 17, 2013**

(30) **Foreign Application Priority Data**

Dec. 20, 2012 (EM) 002157545-0002

(51) **LOC (10) Cl.** **24-01**

(52) **U.S. Cl.**
USPC **D24/108**

(58) **Field of Classification Search**
USPC D24/107, 108, 110, 111, 164; D15/9;
128/200.14, 200.21, 200.24, 203.12,
128/204.18

See application file for complete search history.

(56) **References Cited**

U.S. PATENT DOCUMENTS

D376,199	S	*	12/1996	Rozek et al.	D24/110
D437,637	S	*	2/2001	Leonhard et al.	D24/110
D527,098	S	*	8/2006	Cheng	D24/110
D560,795	S	*	1/2008	Lithgow et al.	D24/110
D570,473	S	*	6/2008	Hamaguchi et al.	D24/110
D658,283	S	*	4/2012	Burz et al.	D24/110
D658,755	S	*	5/2012	Lithgow	D24/110
D659,235	S	*	5/2012	Bertinetti et al.	D24/110
D675,730	S	*	2/2013	Lithgow et al.	D24/110
D679,800	S	*	4/2013	Gusky et al.	D24/110
D683,444	S	*	5/2013	Inoue et al.	D24/110
D683,445	S	*	5/2013	Inoue	D24/110
D696,393	S	*	12/2013	Lu	D24/110
D696,394	S	*	12/2013	Lu	D24/110
D708,733	S	*	7/2014	Ng et al.	D24/110

* cited by examiner

Primary Examiner — Barbara Fox

Assistant Examiner — Lilyana Bekic

(74) *Attorney, Agent, or Firm* — Michael W. Haas

(57) **CLAIM**

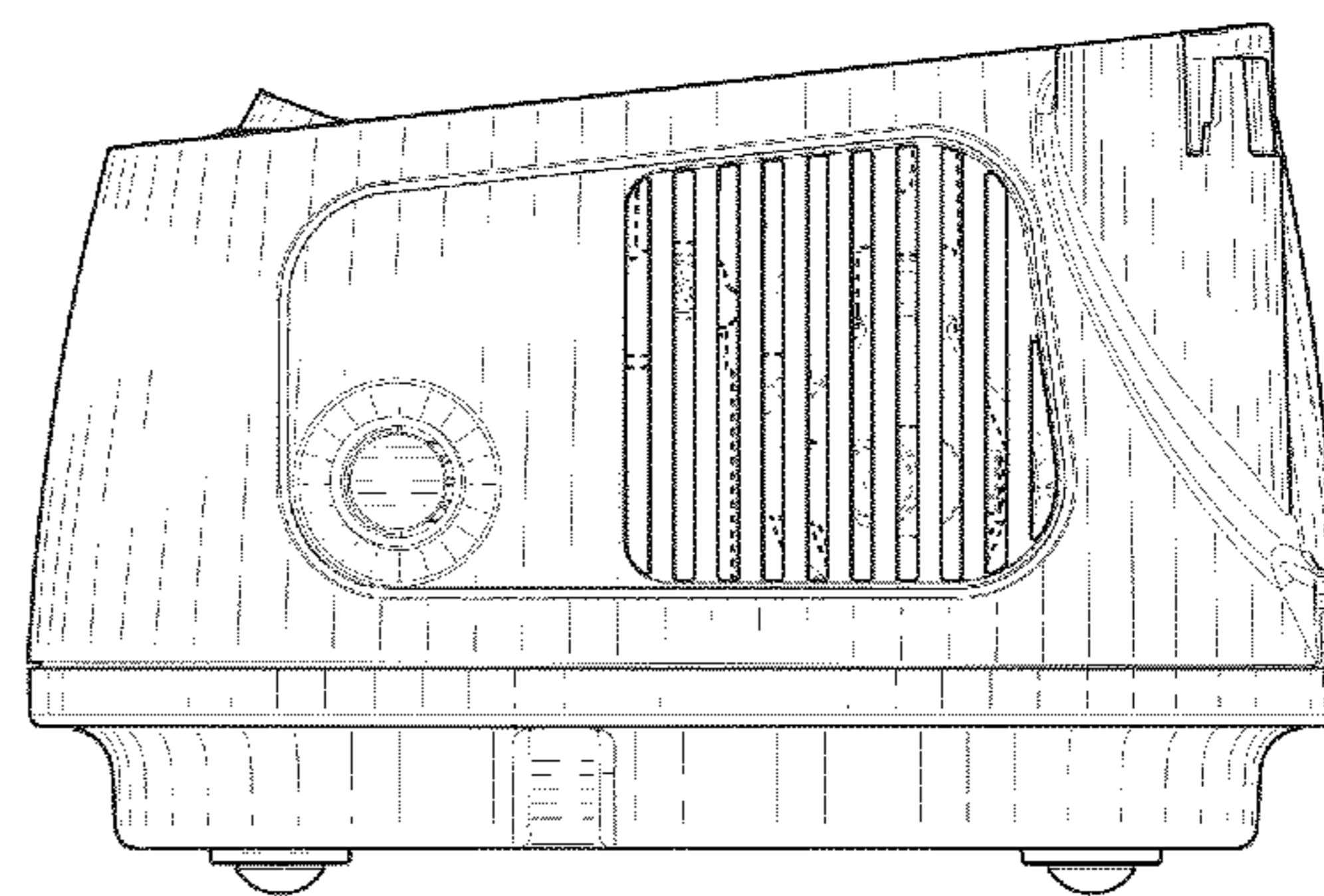
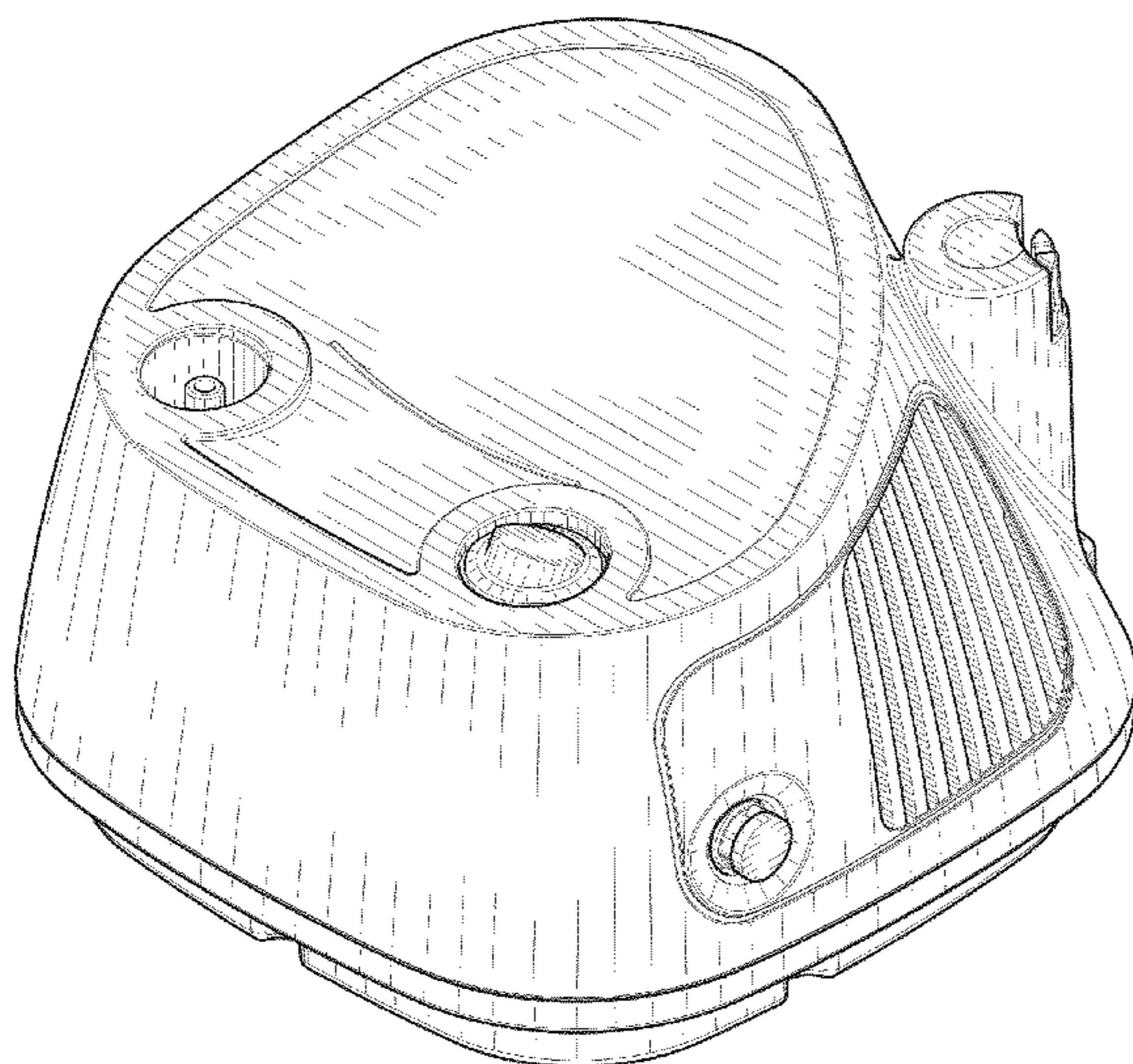
The ornamental design for a nebulizer compressor, as shown and described.

DESCRIPTION

FIG. 1 is a perspective view of a nebulizer compressor showing my new design;
FIG. 2 is a front elevational view thereof;
FIG. 3 is a rear elevational view thereof;
FIG. 4 is a right side elevational view thereof;
FIG. 5 is a left side elevational view thereof;
FIG. 6 is a top plan view thereof; and,
FIG. 7 is a bottom plan view thereof.

The broken lines in the drawings illustrate portions of the nebulizer compressor that form no part of the claimed design.

1 Claim, 5 Drawing Sheets



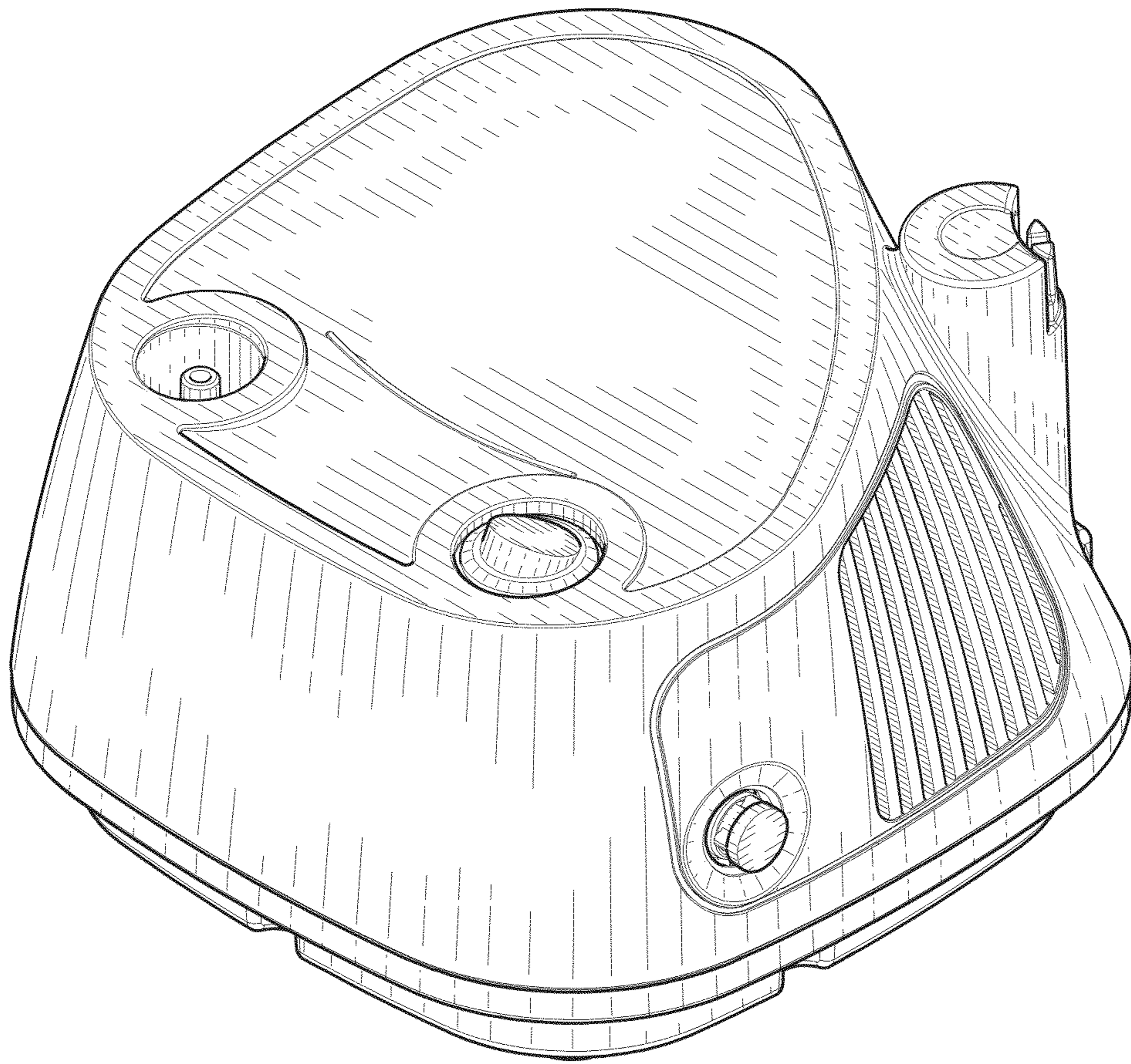


FIG. 1

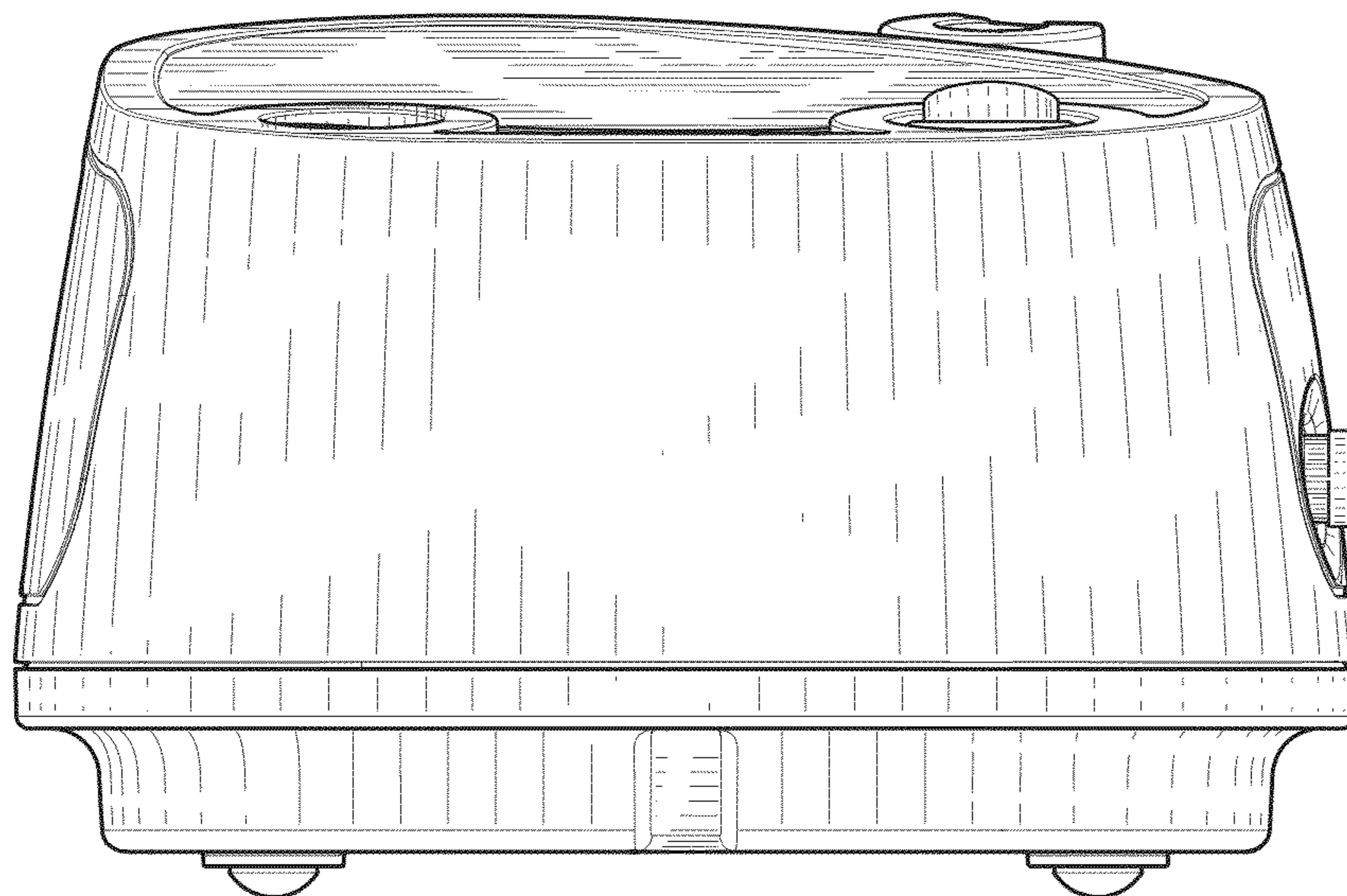


FIG. 2

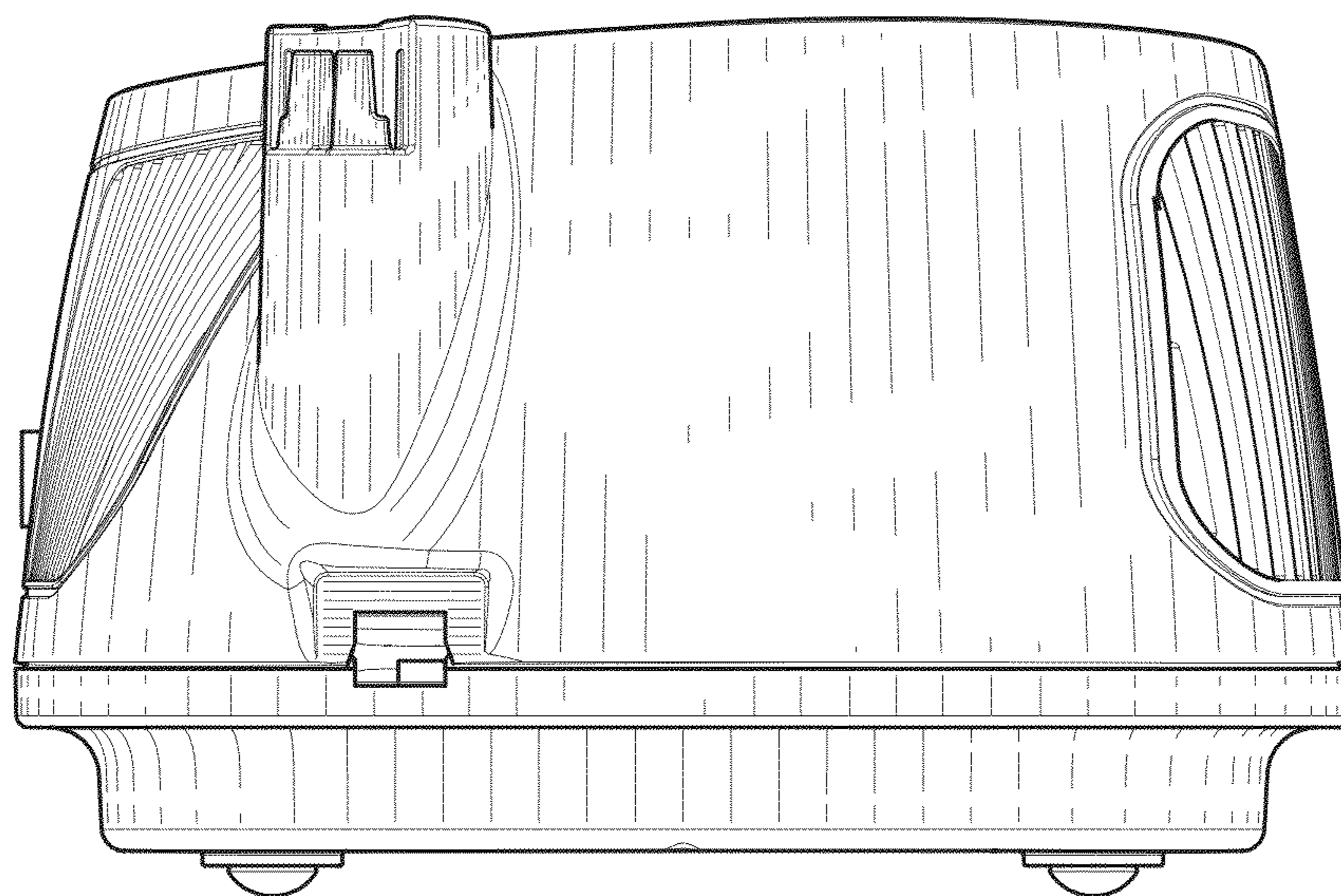


FIG. 3

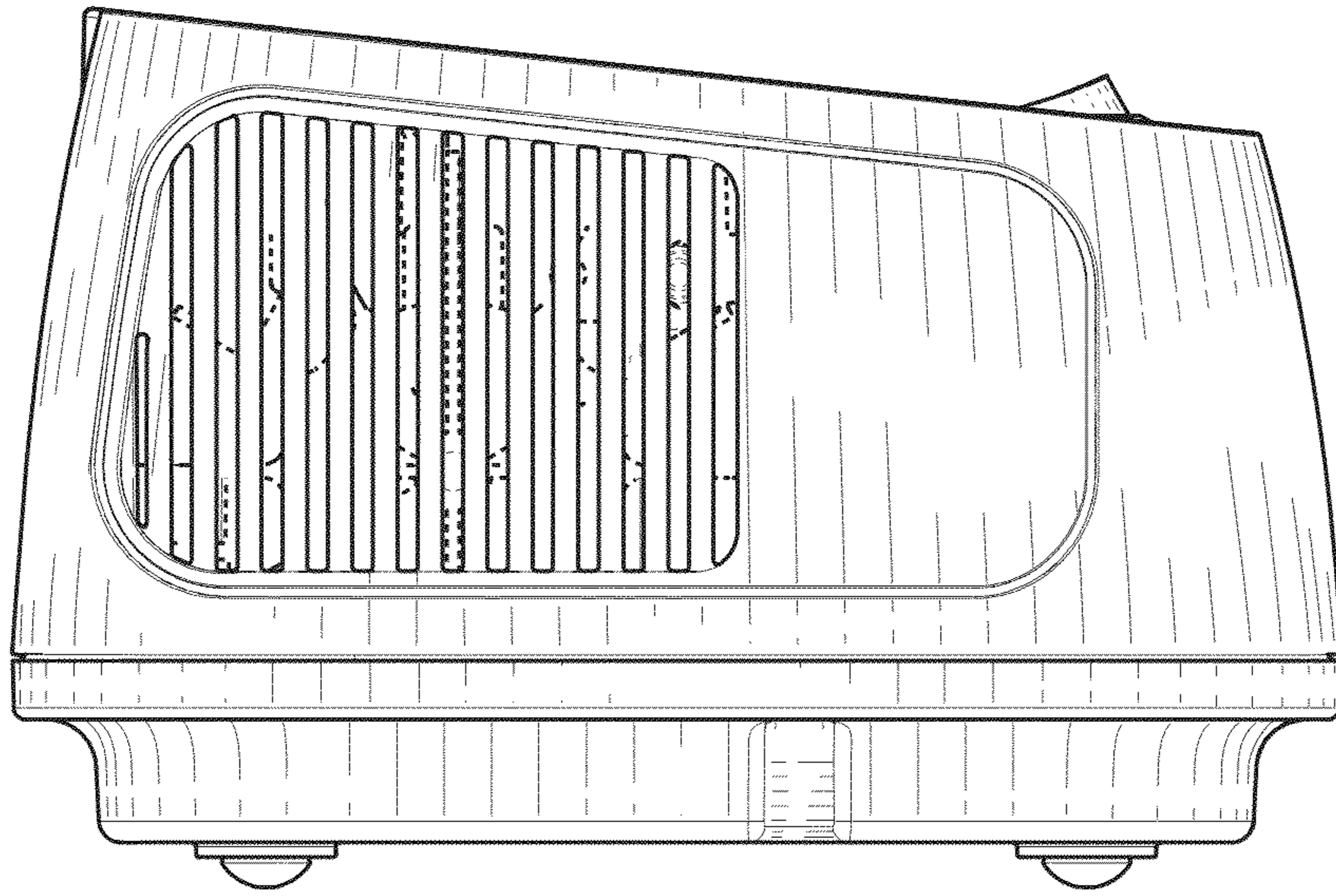


FIG. 4

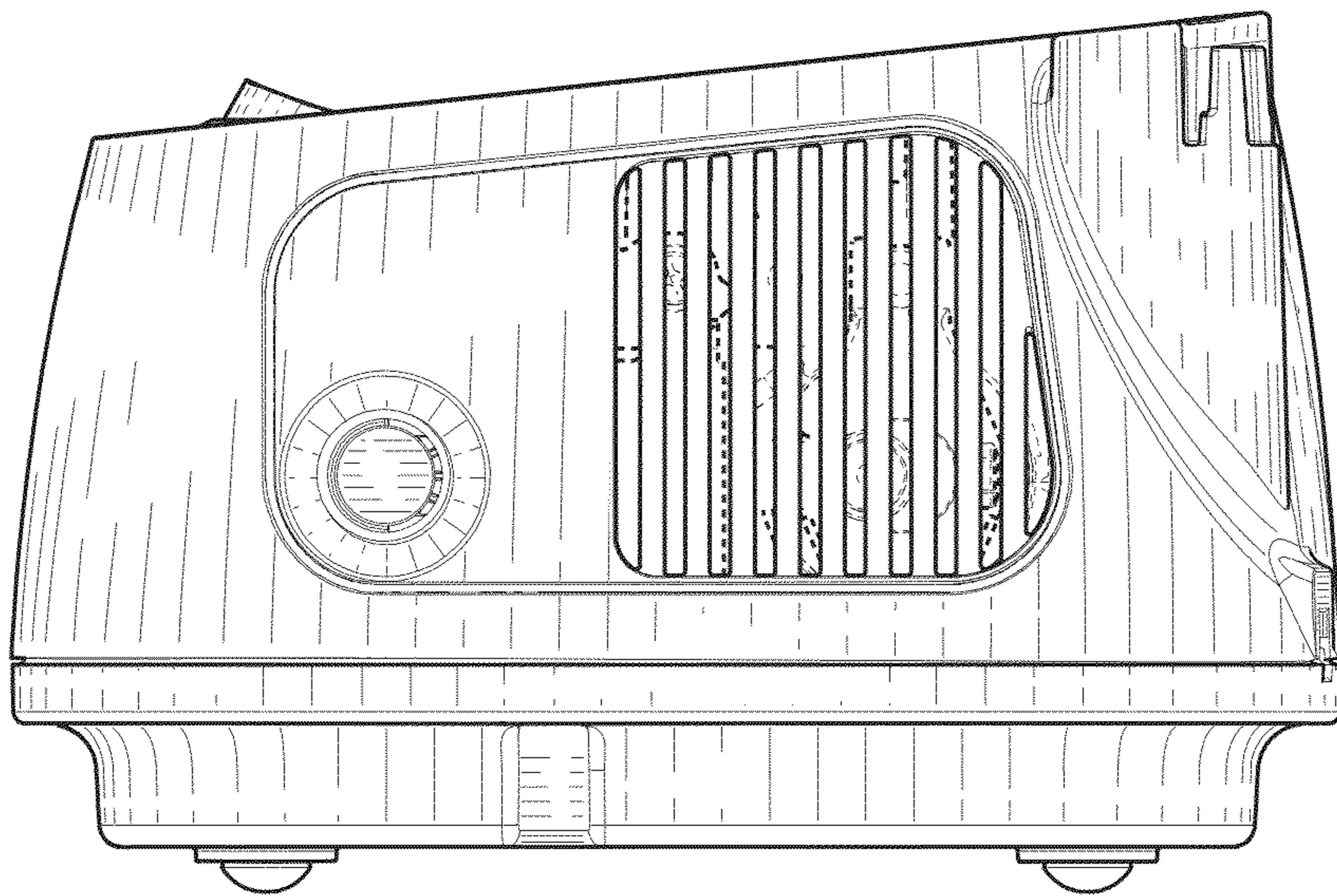


FIG. 5

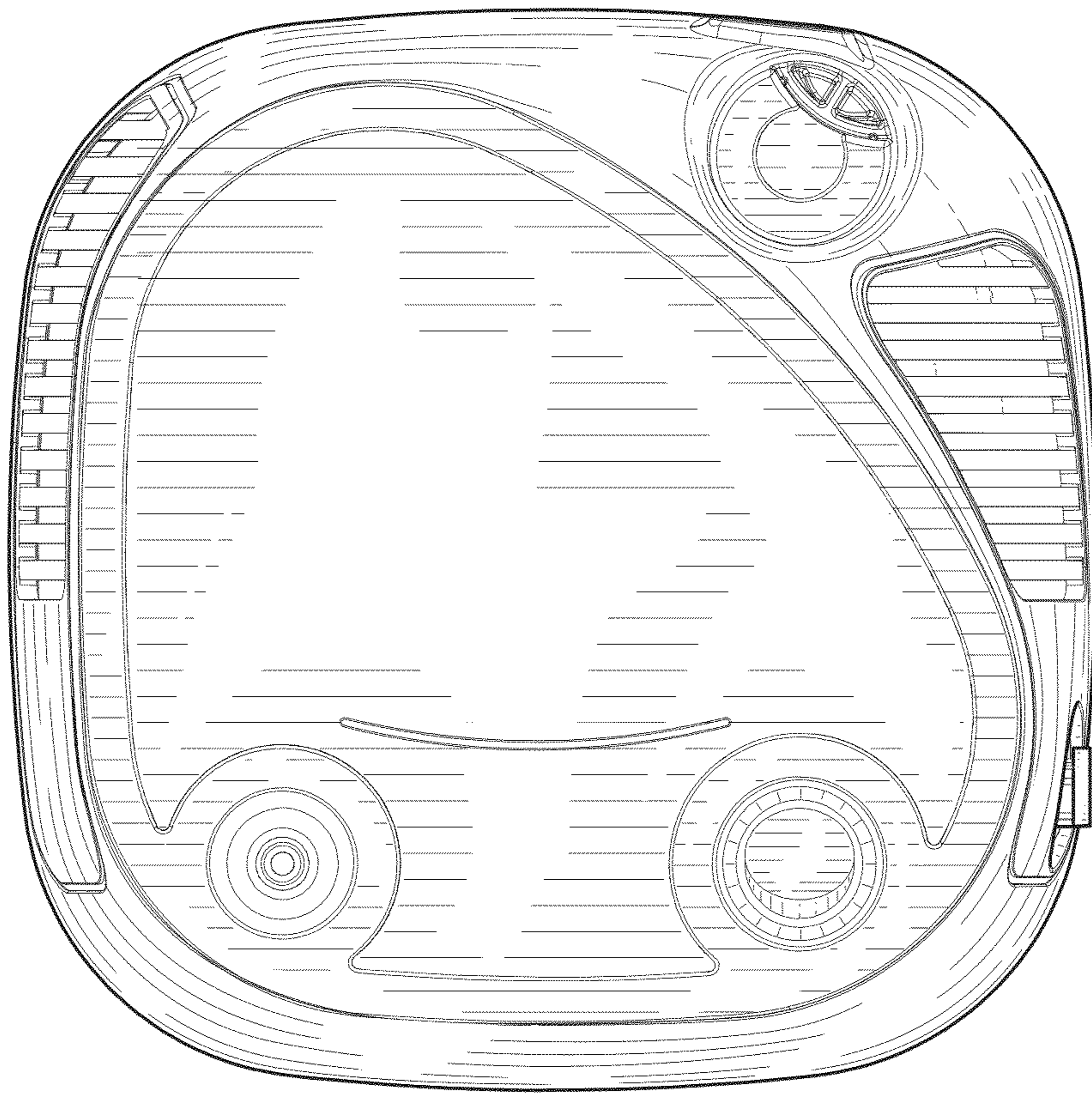


FIG. 6

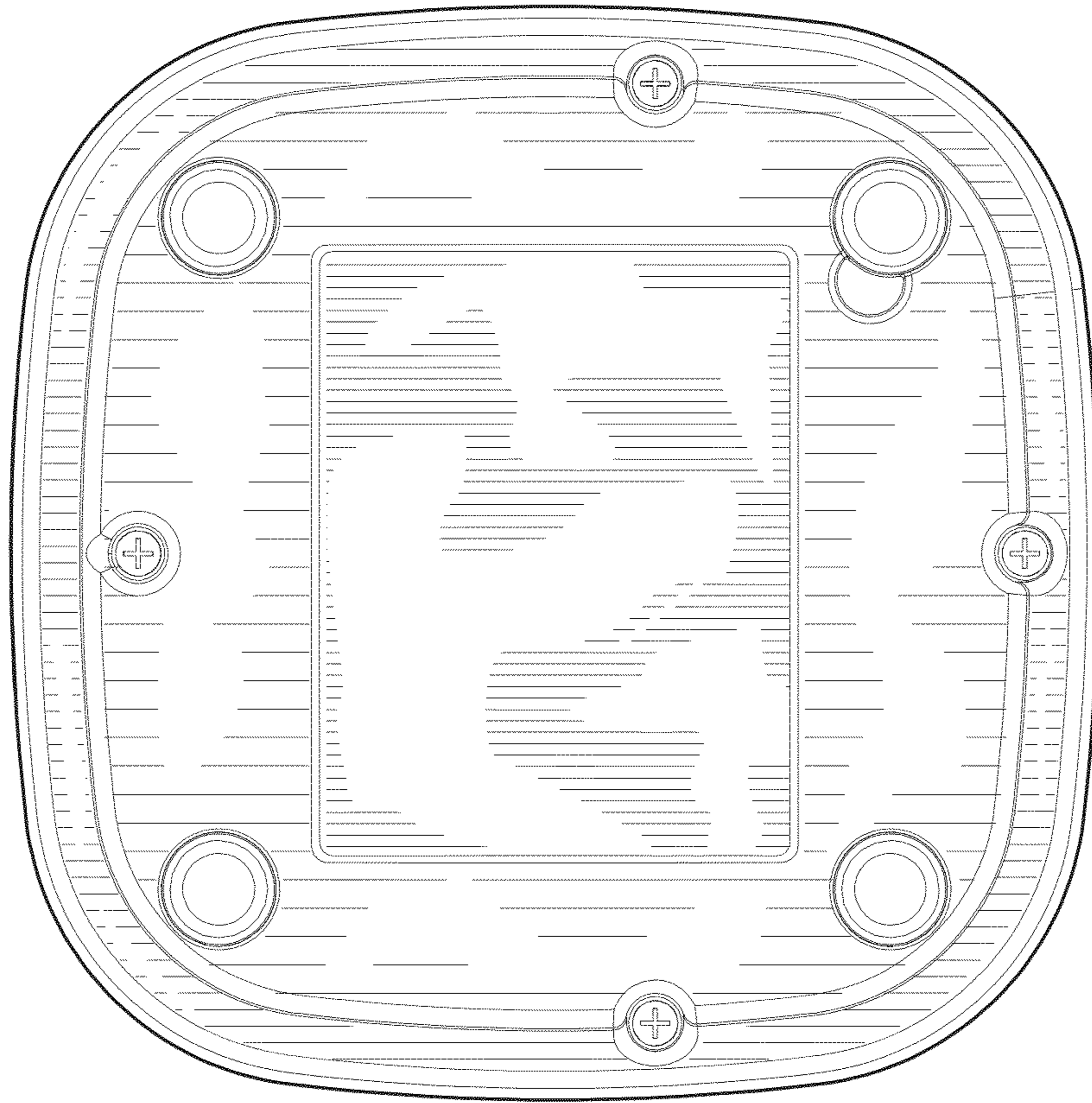


FIG. 7