



US00D740927S

(12) **United States Design Patent**  
**Williams et al.**

(10) **Patent No.:** **US D740,927 S**  
(45) **Date of Patent:** **\*\* Oct. 13, 2015**

(54) **TOP FILTER**

(71) Applicants: **Steve Williams**, Beaumont, CA (US);  
**Jere James Wall**, Helendale, CA (US)

(72) Inventors: **Steve Williams**, Beaumont, CA (US);  
**Jere James Wall**, Helendale, CA (US)

(73) Assignee: **K&N Engineering, Inc.**, Riverside, CA (US)

(\*\*) Term: **14 Years**

(21) Appl. No.: **29/447,604**

(22) Filed: **Mar. 5, 2013**

(51) **LOC (10) Cl.** ..... **23-04**

(52) **U.S. Cl.**  
USPC ..... **D23/365**

(58) **Field of Classification Search**  
USPC ..... D23/365, 209, 363, 358, 386, 354, 341,  
D23/364, 303; 55/385.3, 502, 497, 506,  
55/505, 521, 495, 422, 493, DIG. 30;  
210/435, 130, 136, 248, 339, 448, 452,  
210/497.1; D32/31; D15/5; 4/213  
See application file for complete search history.

(56) **References Cited**

**U.S. PATENT DOCUMENTS**

D304,230 S \* 10/1989 Wang ..... D23/386  
D389,963 S \* 1/1998 Scanlon et al. .... D32/31  
D401,597 S \* 11/1998 Shelton et al. .... D15/5  
D401,684 S \* 11/1998 Shelton et al. .... D23/365

D401,942 S \* 12/1998 Shelton et al. .... D15/5  
D403,414 S \* 12/1998 Shelton et al. .... D23/365  
D439,962 S \* 4/2001 Gieseke et al. .... D23/365  
D470,216 S \* 2/2003 Gustafson et al. .... D23/209  
6,884,274 B2 \* 4/2005 Niakan et al. .... 55/486  
D530,807 S \* 10/2006 Miyagishima et al. .... D23/365  
D592,297 S \* 5/2009 Hayashi ..... D23/365  
D652,497 S \* 1/2012 Troxell et al. .... D23/365  
D674,463 S \* 1/2013 Wilder et al. .... D23/209

\* cited by examiner

*Primary Examiner* — David Muller

(74) *Attorney, Agent, or Firm* — Rutan & Tucker LLP; Hani Z. Sayed

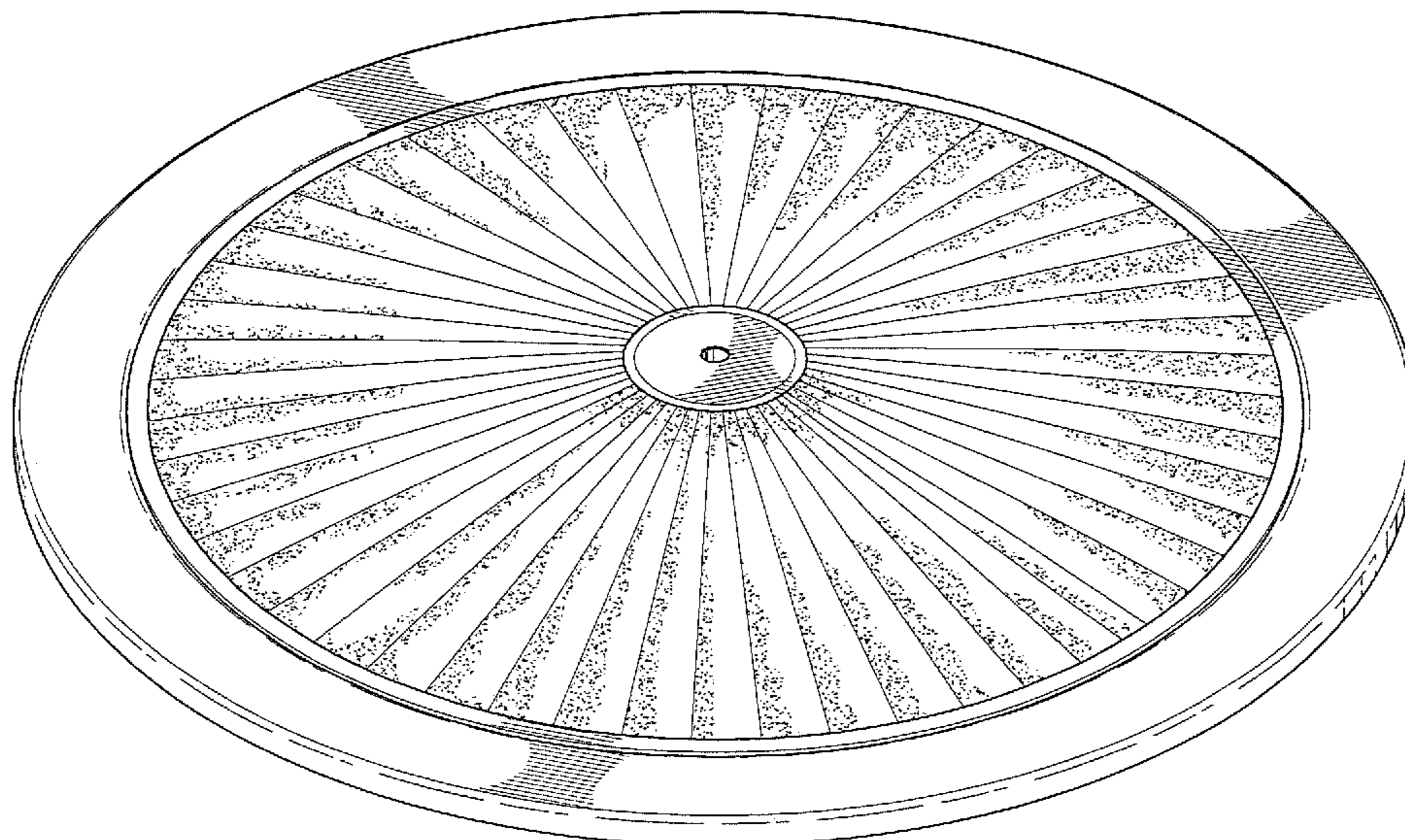
(57) **CLAIM**

The ornamental design for a top filter, as shown and described.

**DESCRIPTION**

FIG. 1 is a top, rear, right side perspective view of a top filter in accordance with an embodiment of the present disclosure; FIG. 2 is a top view of the top filter, as shown in FIG. 1, in accordance with an exemplary embodiment of the present disclosure; FIG. 3 is a bottom view of the top filter, as shown in FIG. 1, in accordance with an embodiment of the present disclosure; FIG. 4 is a front elevation view (all elevation views being identical) of the top filter, as shown in FIG. 1, in accordance with an embodiment of the present disclosure; and, FIG. 5 is cross-sectional cut-away of the top filter, view taken along line 5-5 as shown in FIG. 4 in accordance with an embodiment of the present disclosure.

**1 Claim, 4 Drawing Sheets**



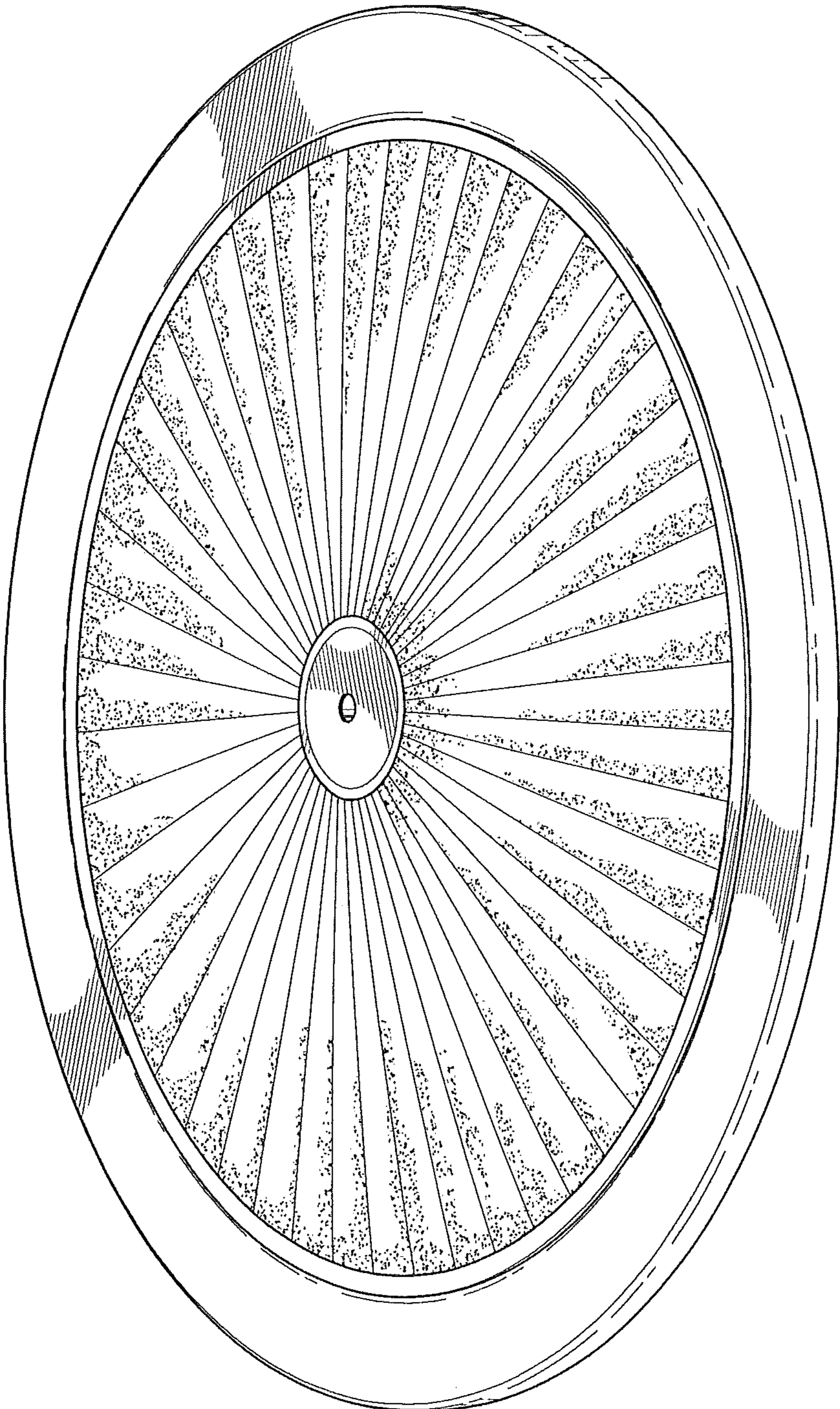


FIG. 1

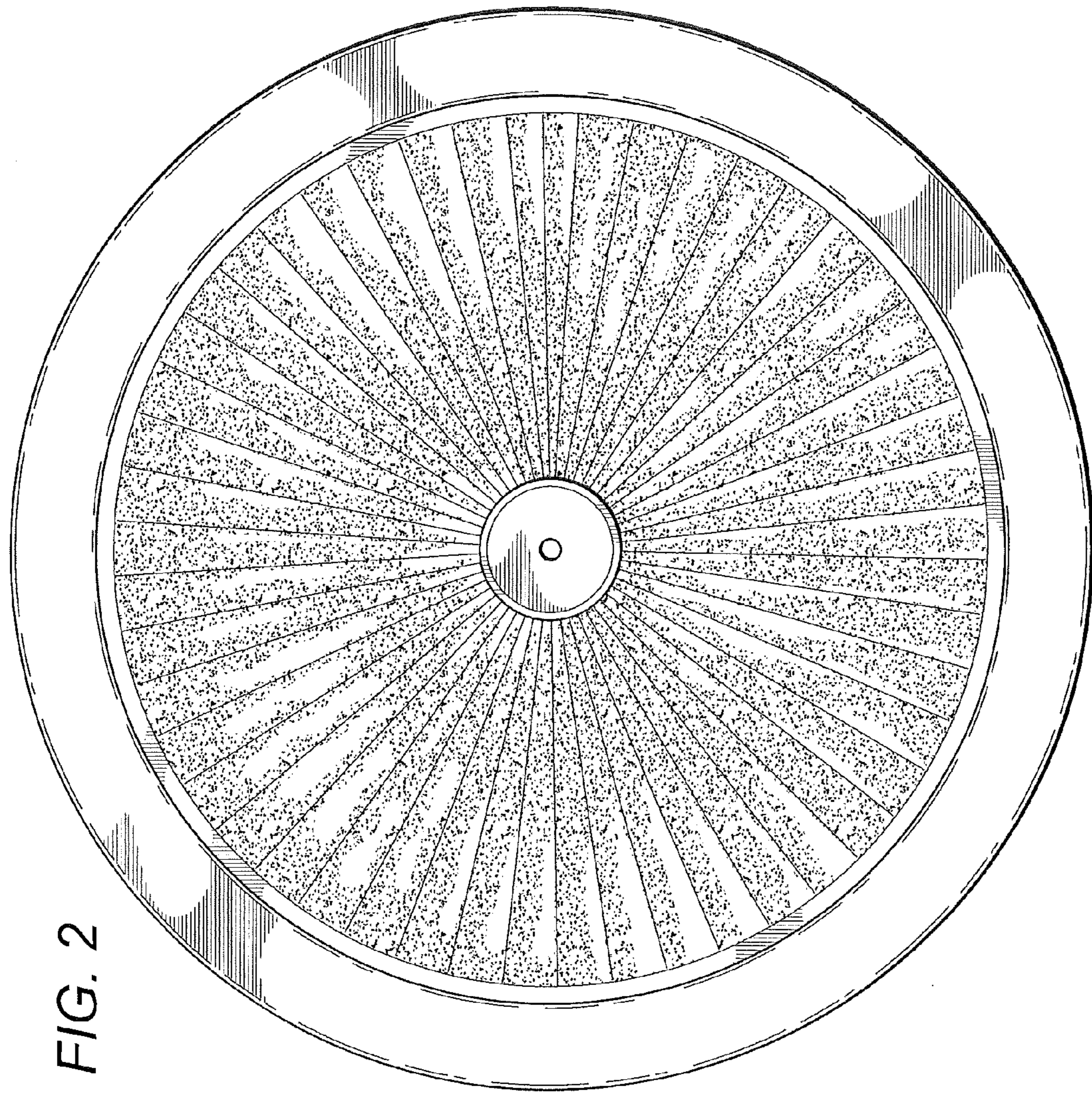
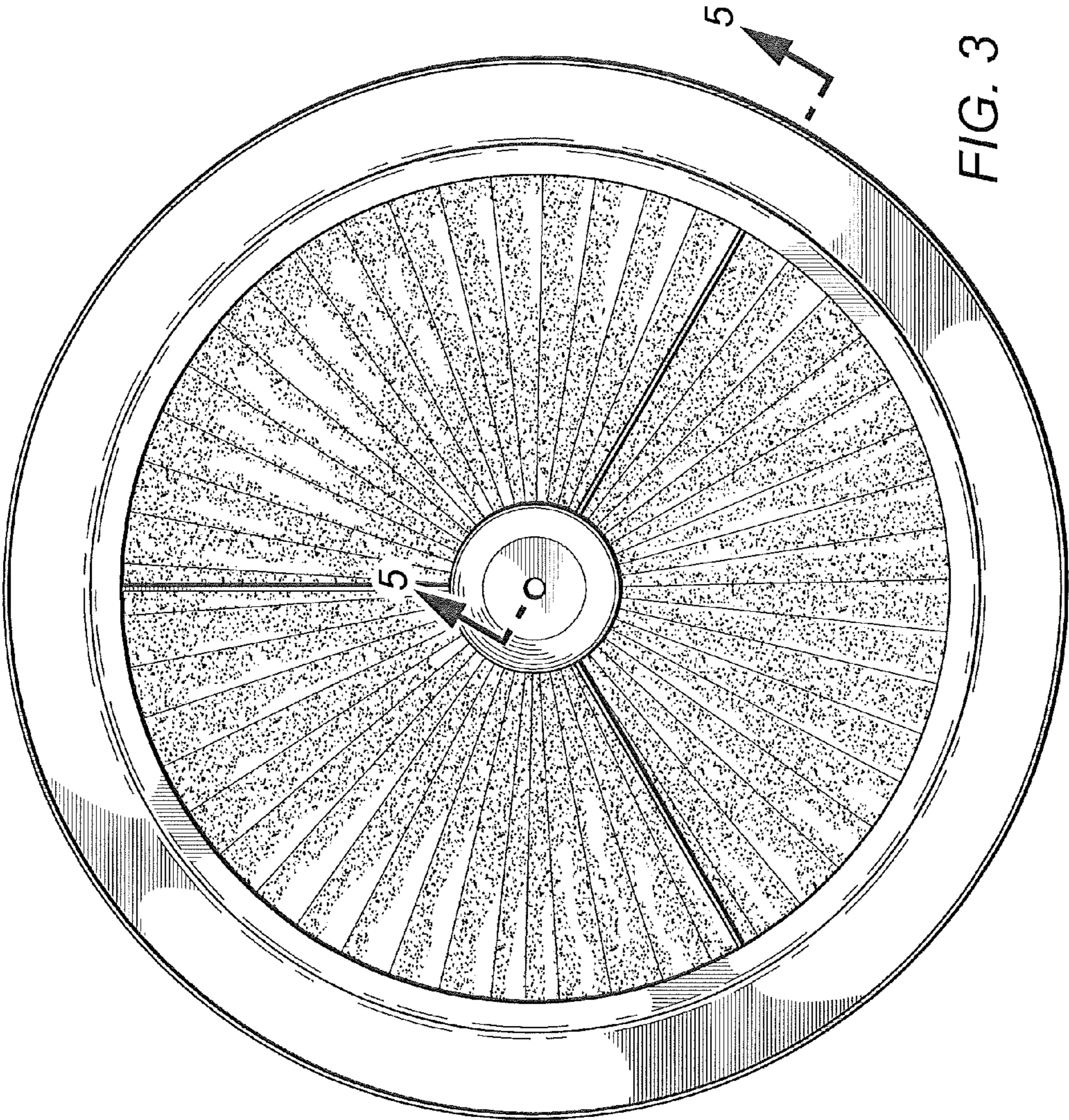


FIG. 2



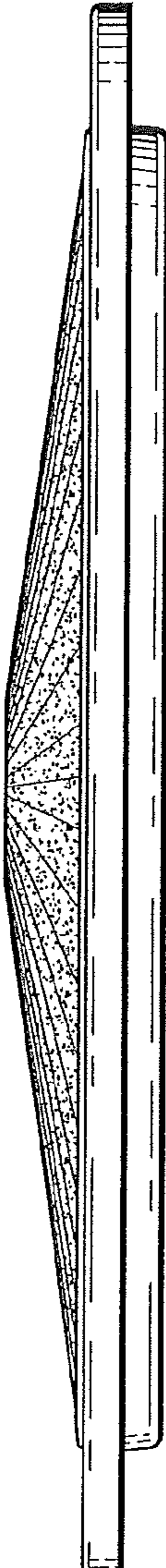


FIG. 4

FIG. 5

