



US00D740926S

(12) **United States Design Patent**
Lin

(10) **Patent No.:** **US D740,926 S**

(45) **Date of Patent:** **** Oct. 13, 2015**

(54) **HEATER DEVICE**

(71) Applicant: **Helin Lin, Jieyang (CN)**

(72) Inventor: **Helin Lin, Jieyang (CN)**

(**) Term: **14 Years**

(21) Appl. No.: **29/512,617**

(22) Filed: **Dec. 30, 2014**

(51) **LOC (10) Cl.** **23-03**

(52) **U.S. Cl.**
USPC **D23/332**

(58) **Field of Classification Search**
USPC D23/317, 314, 332, 333, 334, 335, 337,
D23/342, 351, 355, 378, 370, 381, 364, 336,
D23/341, 360, 366; 416/244 R, 247 R,
416/53.1-53.3; 392/365, 367, 366;
126/259 R; 219/533, 534
CPC ... F24H 9/2071; F24H 9/1863; F24H 3/0411;
F24D 2220/2036; F24D 19/06
See application file for complete search history.

(56) **References Cited**

U.S. PATENT DOCUMENTS

D229,183 S * 11/1973 Papst D23/370
D313,069 S * 12/1990 McCormick D23/335

D314,425 S * 2/1991 Beavers et al. D23/335
5,052,367 A * 10/1991 Beavers et al. 126/110 B
D377,213 S * 1/1997 Wang D23/364
D606,645 S * 12/2009 Orihara et al. D23/366
D626,206 S * 10/2010 Orihara et al. D23/366
D652,132 S * 1/2012 Orihara et al. D23/366
D710,487 S * 8/2014 Lin D23/355
2014/0090410 A1 * 4/2014 Decker 62/259.3

* cited by examiner

Primary Examiner — T. Chase Nelson

Assistant Examiner — Ania Aman

(74) *Attorney, Agent, or Firm* — Novoclaims Patent Services LLC; Mei Lin Wong

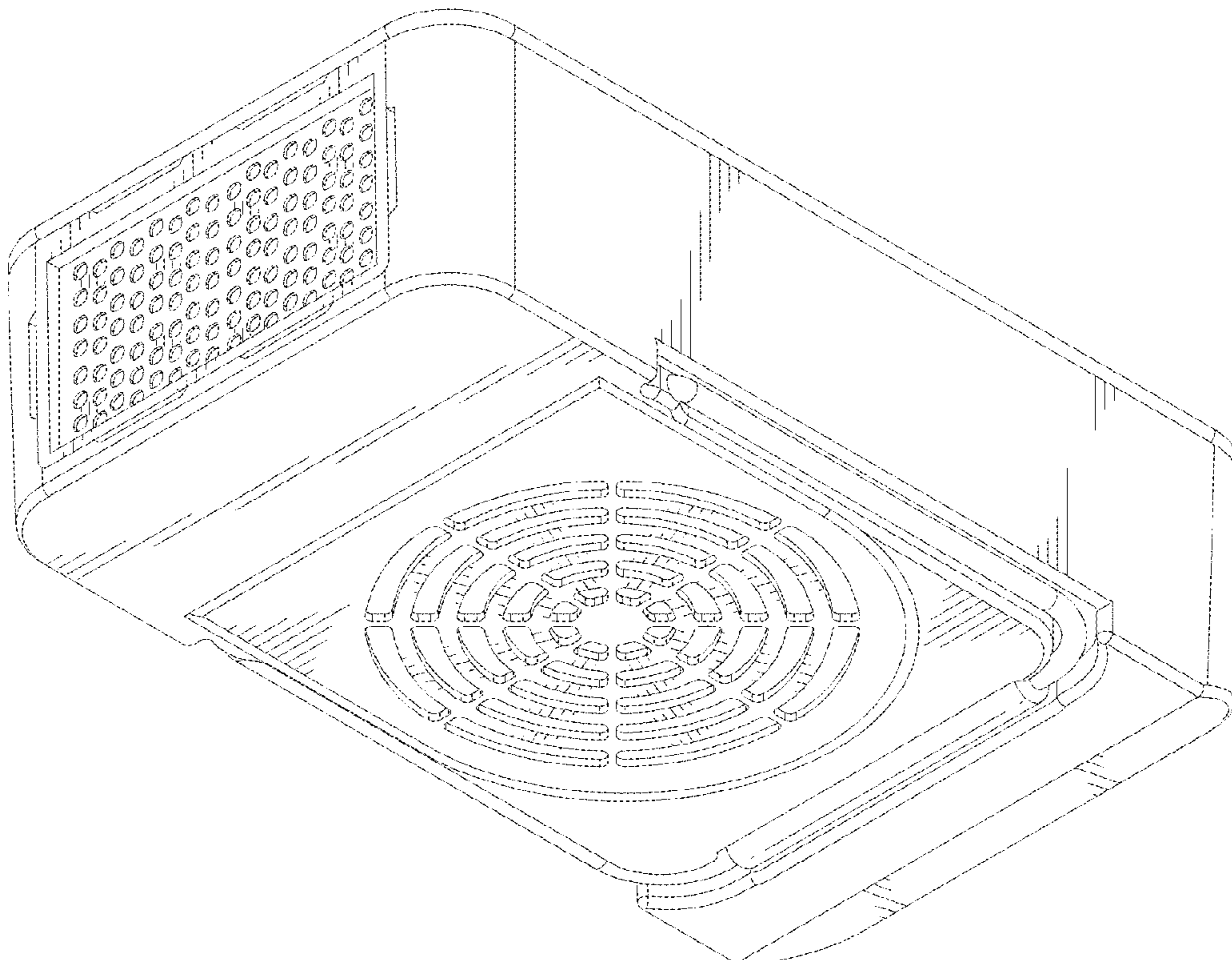
(57) **CLAIM**

The ornamental design for a heater device, substantially as shown and described.

DESCRIPTION

FIG. 1 is a perspective view of a heater device in accordance with the present invention.
FIG. 2 is another perspective view thereof.
FIG. 3 is a front view thereof.
FIG. 4 is a rear view thereof.
FIG. 5 is a left end view thereof.
FIG. 6 is a right end view thereof.
FIG. 7 is a top view thereof.
FIG. 8 is a bottom view thereof; and,
FIG. 9 is a perspective view of a heater device in use thereof.

1 Claim, 8 Drawing Sheets



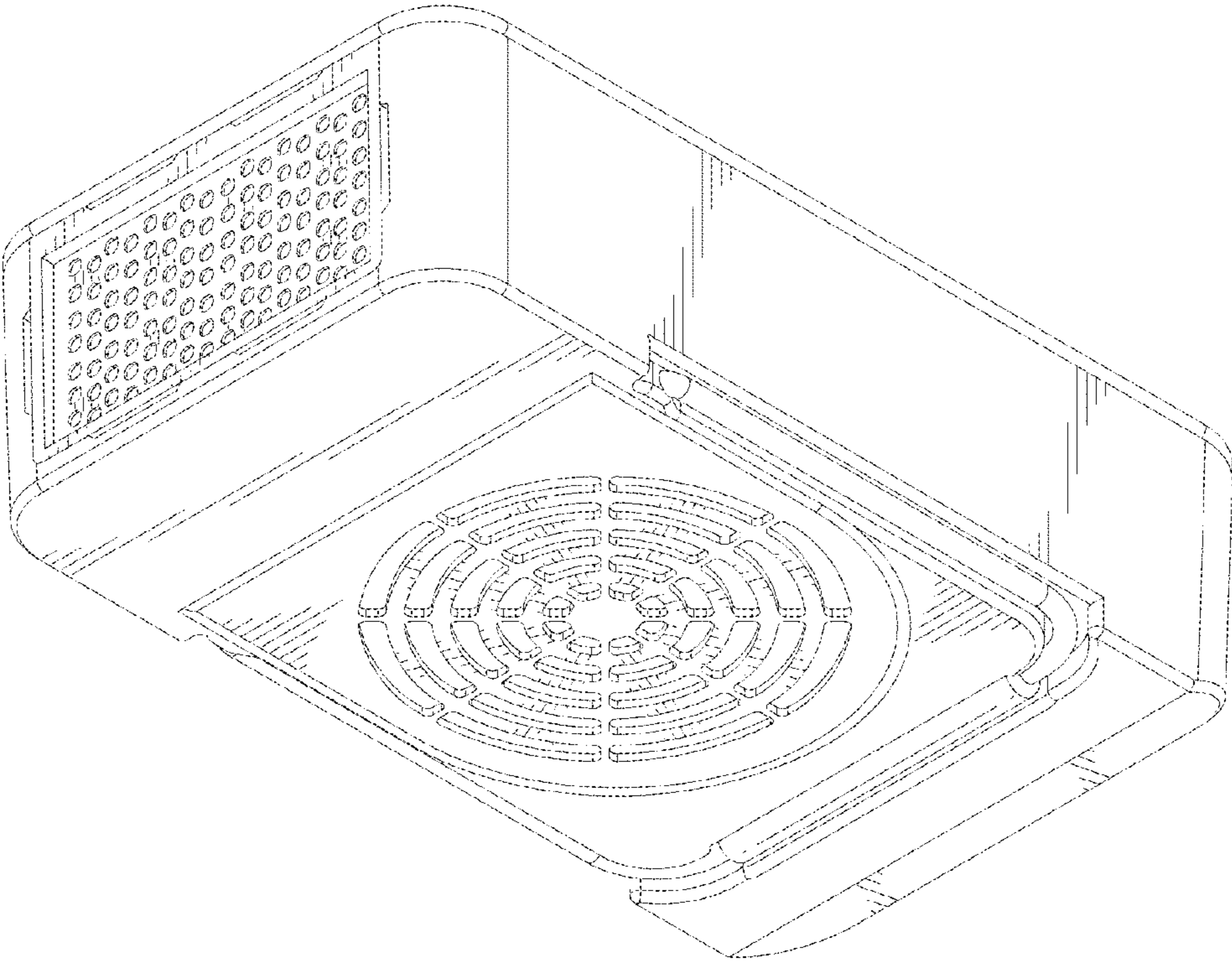


FIG.1

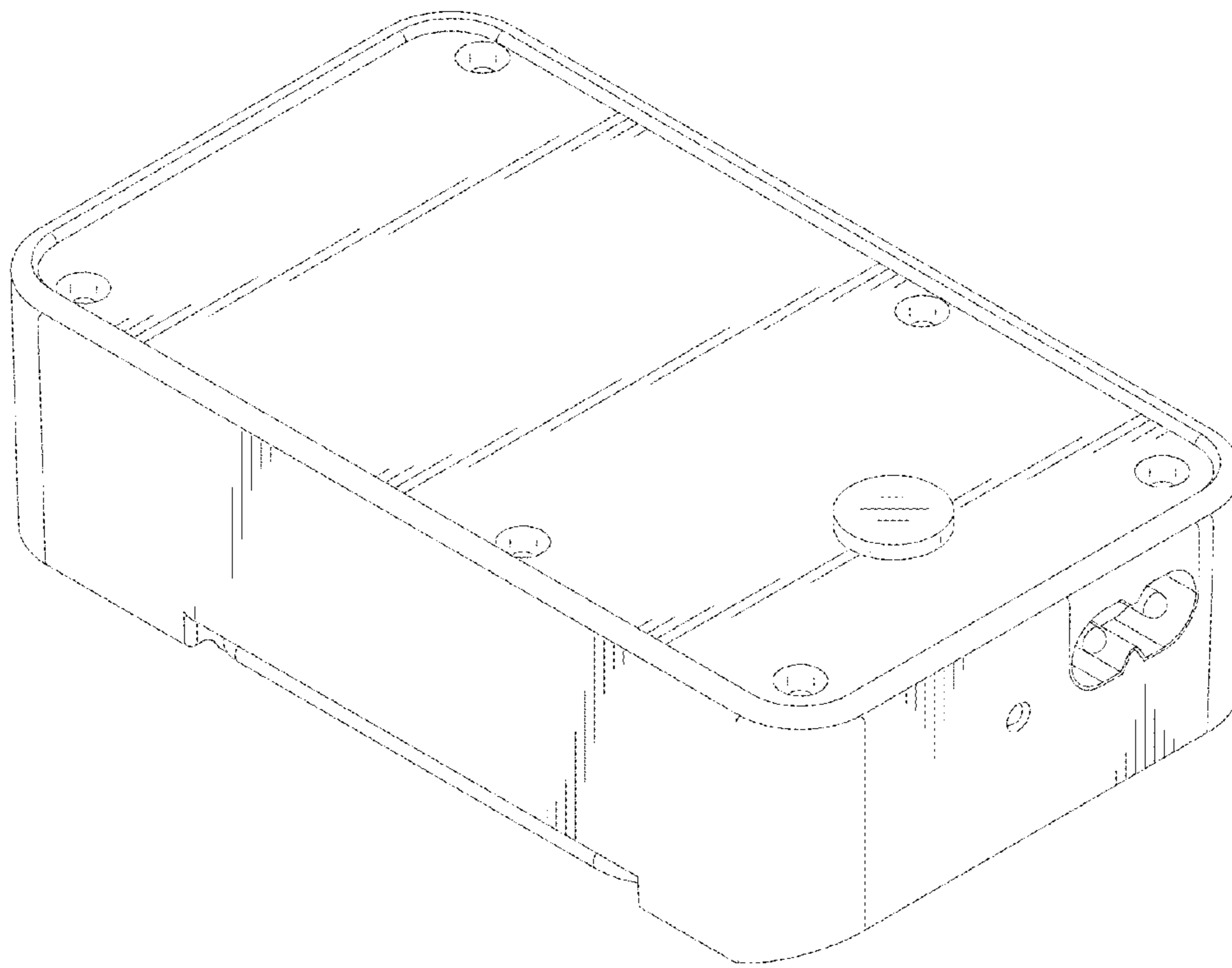


FIG.2

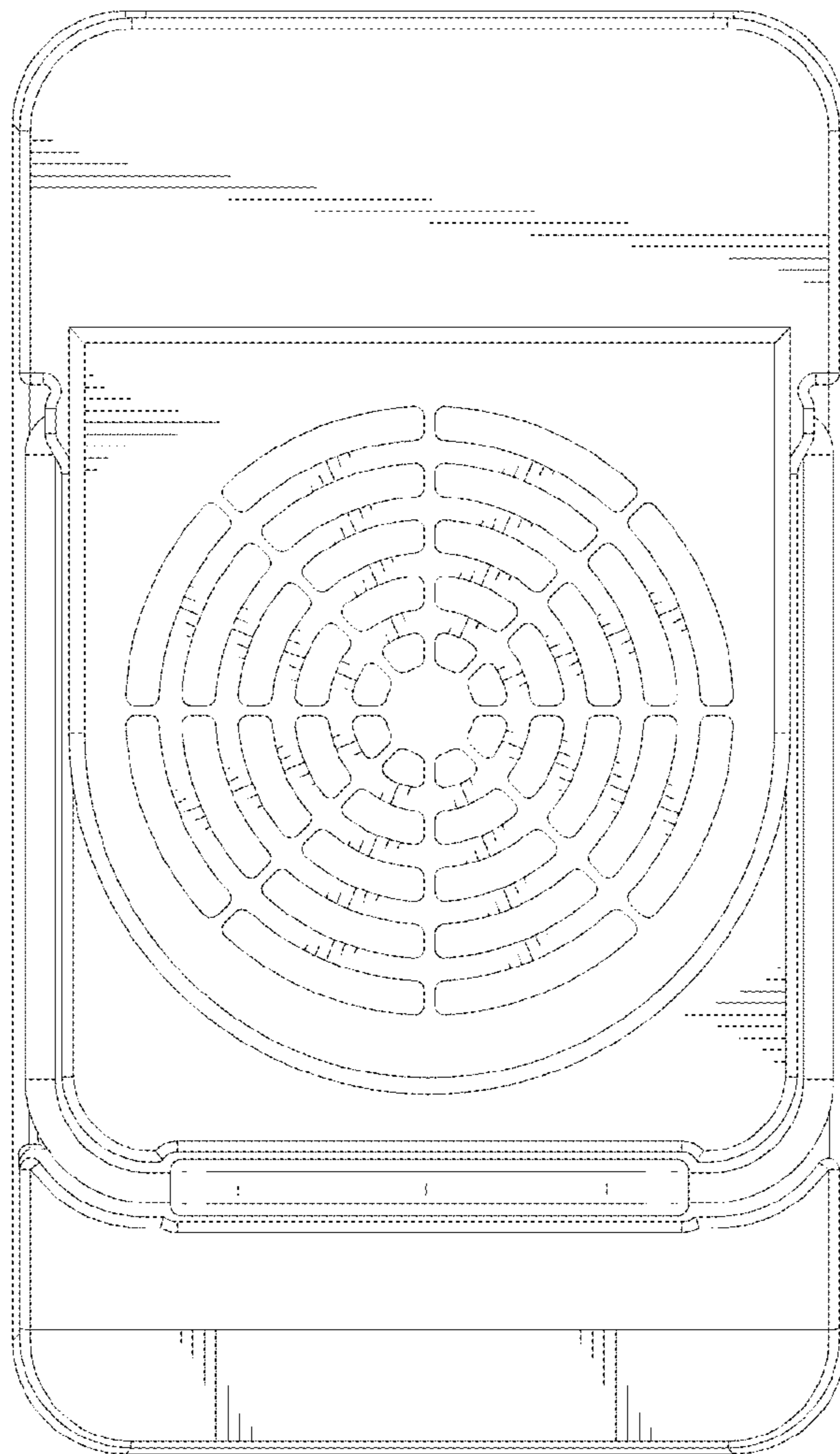


FIG.3

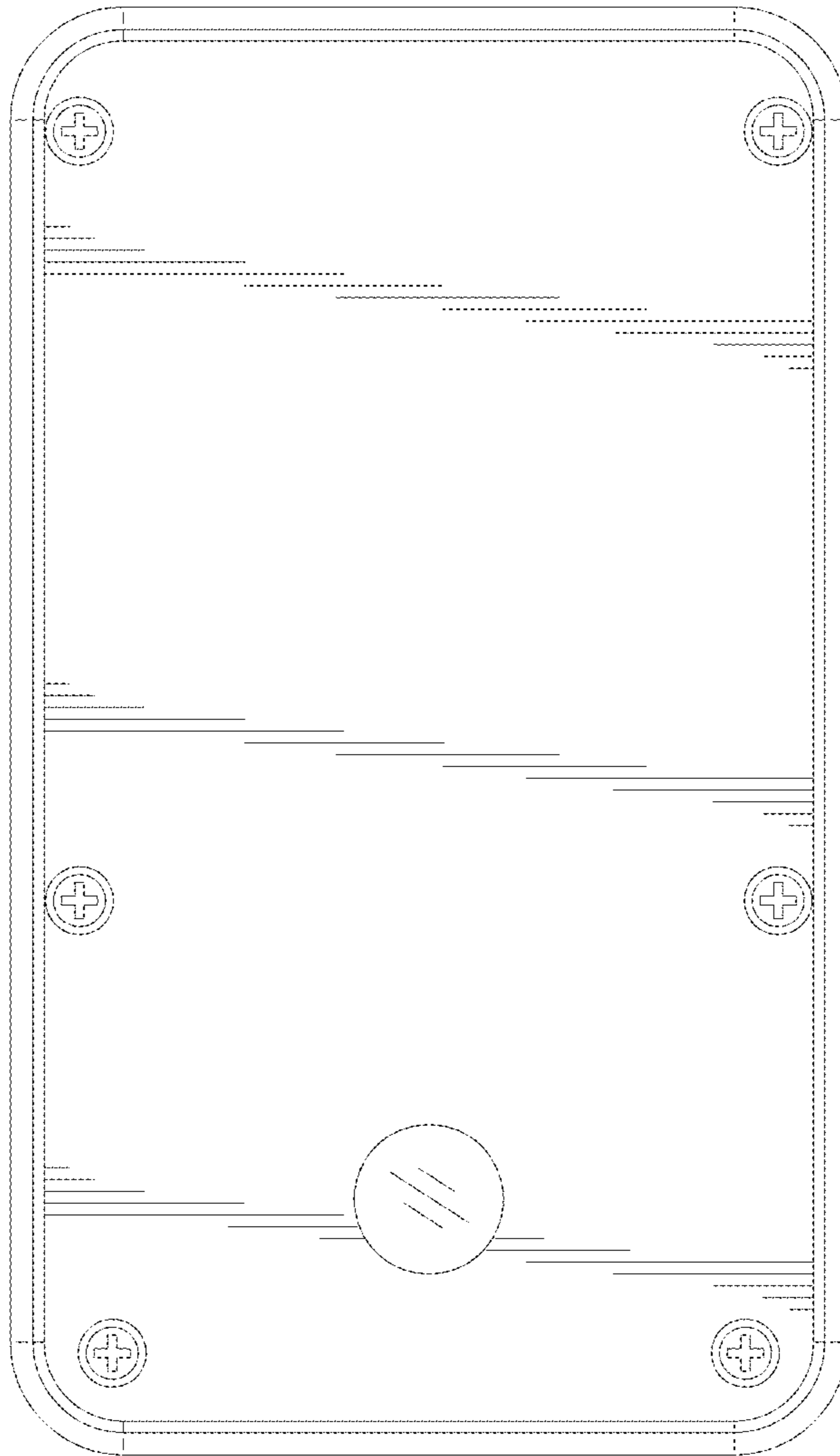


FIG.4

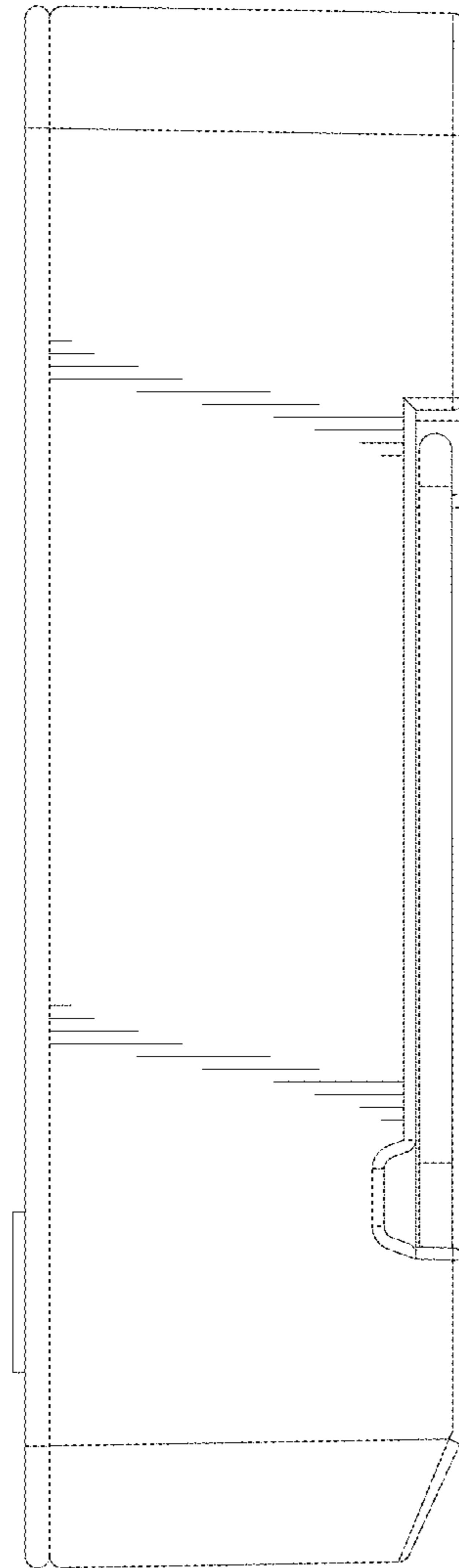


FIG.5

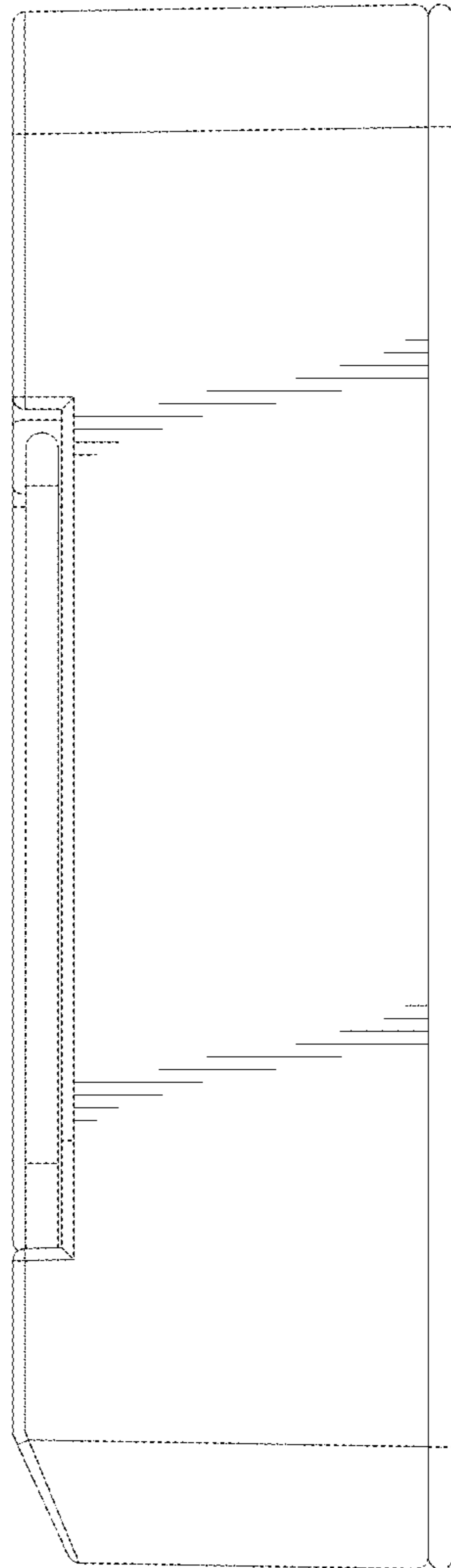


FIG.6

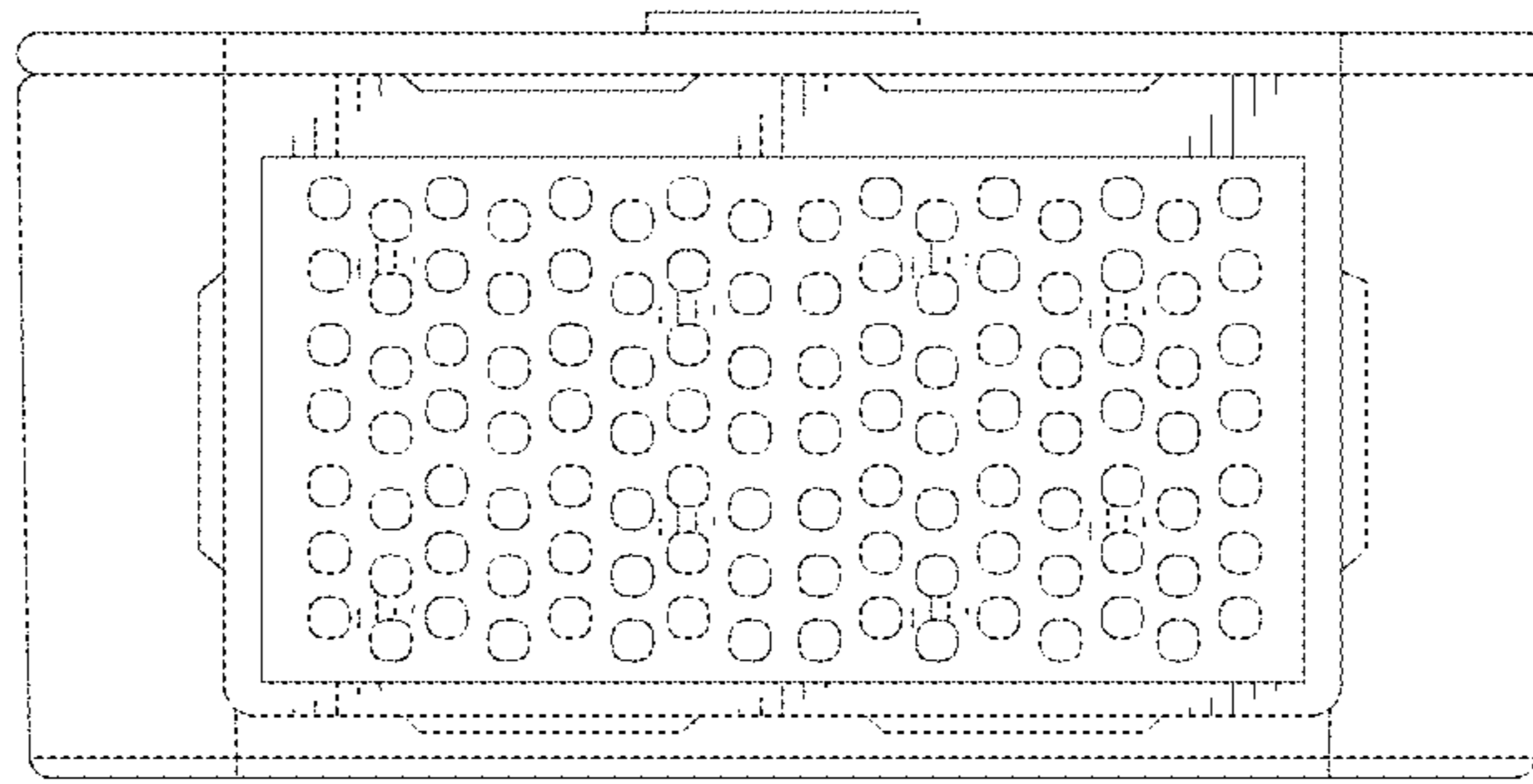


FIG. 7

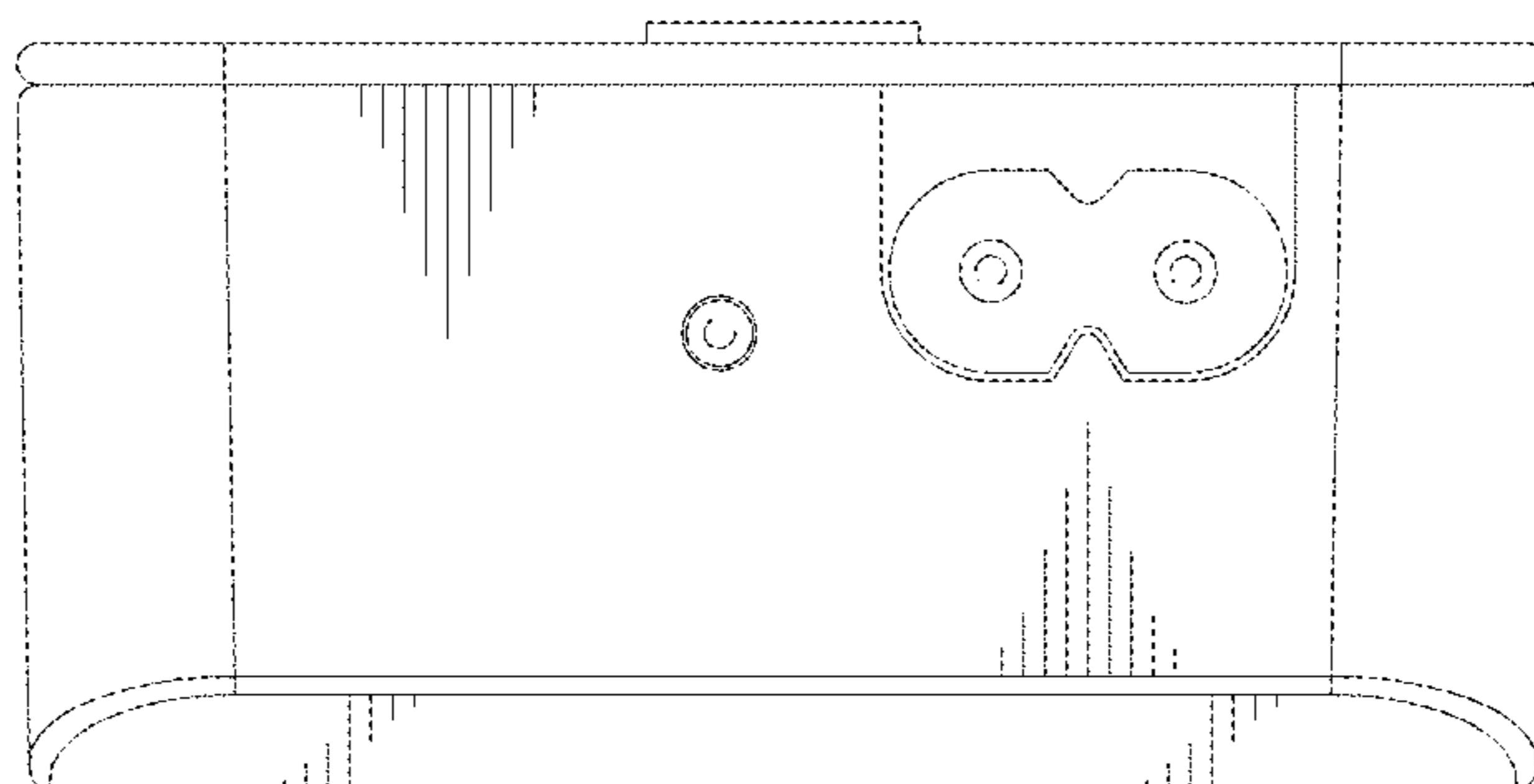


FIG. 8

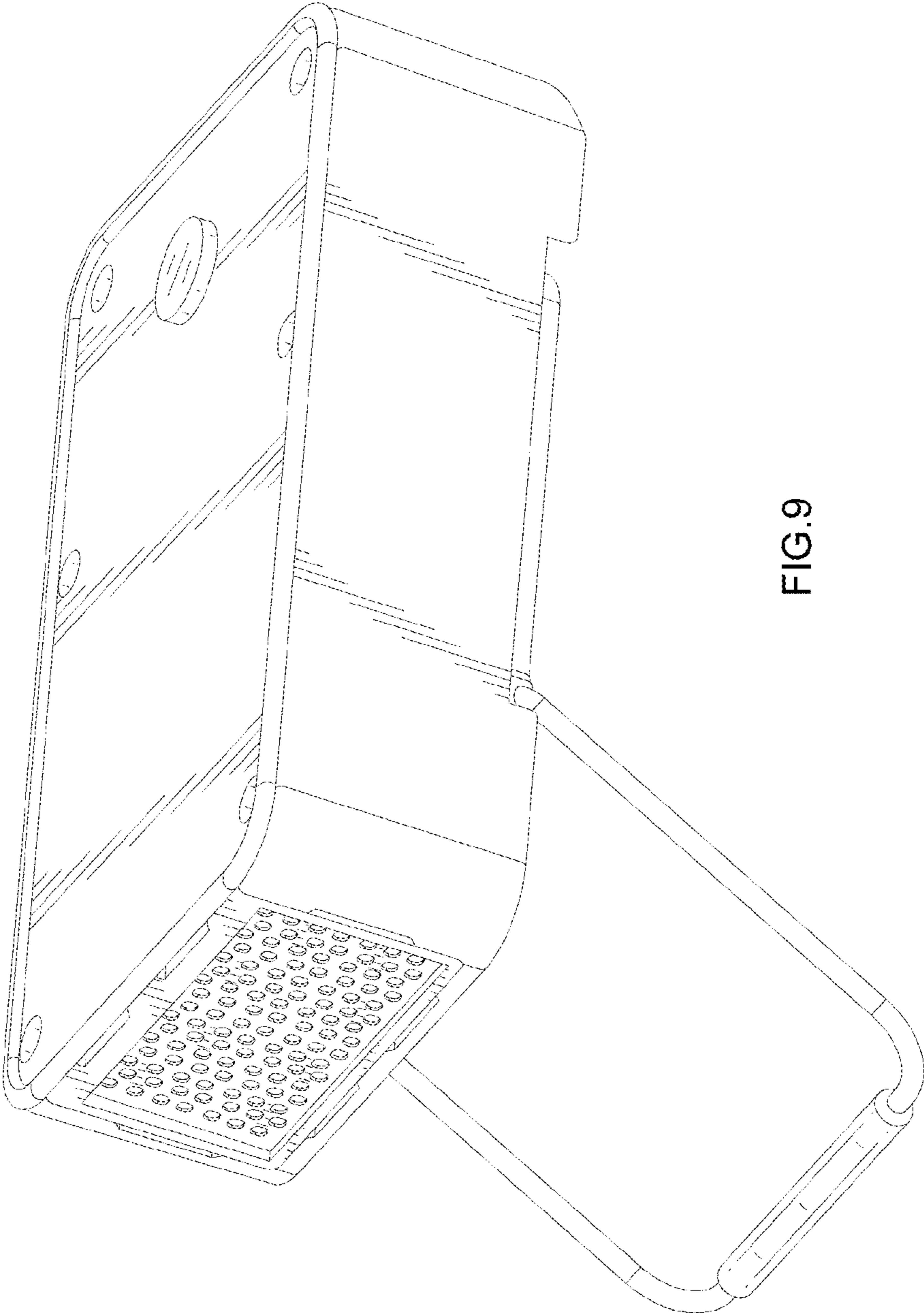


FIG.9