



US00D740925S

(12) **United States Design Patent**
Casey

(10) **Patent No.:** **US D740,925 S**

(45) **Date of Patent:** **** Oct. 13, 2015**

(54) **BASIN**

(71) Applicant: **Michael Casey**, Smyrna, GA (US)

(72) Inventor: **Michael Casey**, Smyrna, GA (US)

(**) Term: **14 Years**

(21) Appl. No.: **29/518,436**

(22) Filed: **Feb. 24, 2015**

Related U.S. Application Data

(62) Division of application No. 29/472,804, filed on Nov. 15, 2013, now Pat. No. Des. 723,142.

(51) **LOC (10) Cl.** **23-02**

(52) **U.S. Cl.**
USPC **D23/293.1**

(58) **Field of Classification Search**
USPC D23/284–286, 292–293.1, 303, 308;
4/619, 630, 638, 640, 650, 661
See application file for complete search history.

(56) **References Cited**

U.S. PATENT DOCUMENTS

D398,967 S * 9/1998 Kohler et al. D23/284
D433,742 S * 11/2000 Millard et al. D23/293.1

D443,049 S * 5/2001 Kuo D23/293.1
D507,042 S * 7/2005 Sutopo D23/293.1
D530,800 S * 10/2006 Hisey D23/293.1
D531,287 S * 10/2006 Bates D23/293.1
D537,924 S * 3/2007 Bates D23/293.1
D560,778 S * 1/2008 Paterson D23/293.1
D594,097 S * 6/2009 Toyohara D23/293.1
D624,164 S * 9/2010 Kakihana et al. D23/293.1
D656,593 S * 3/2012 Stauffer D23/293.1

* cited by examiner

Primary Examiner — Robert Delehanty

(74) *Attorney, Agent, or Firm* — Laurence P. Colton; Smith Risley Tempel Santos LLC

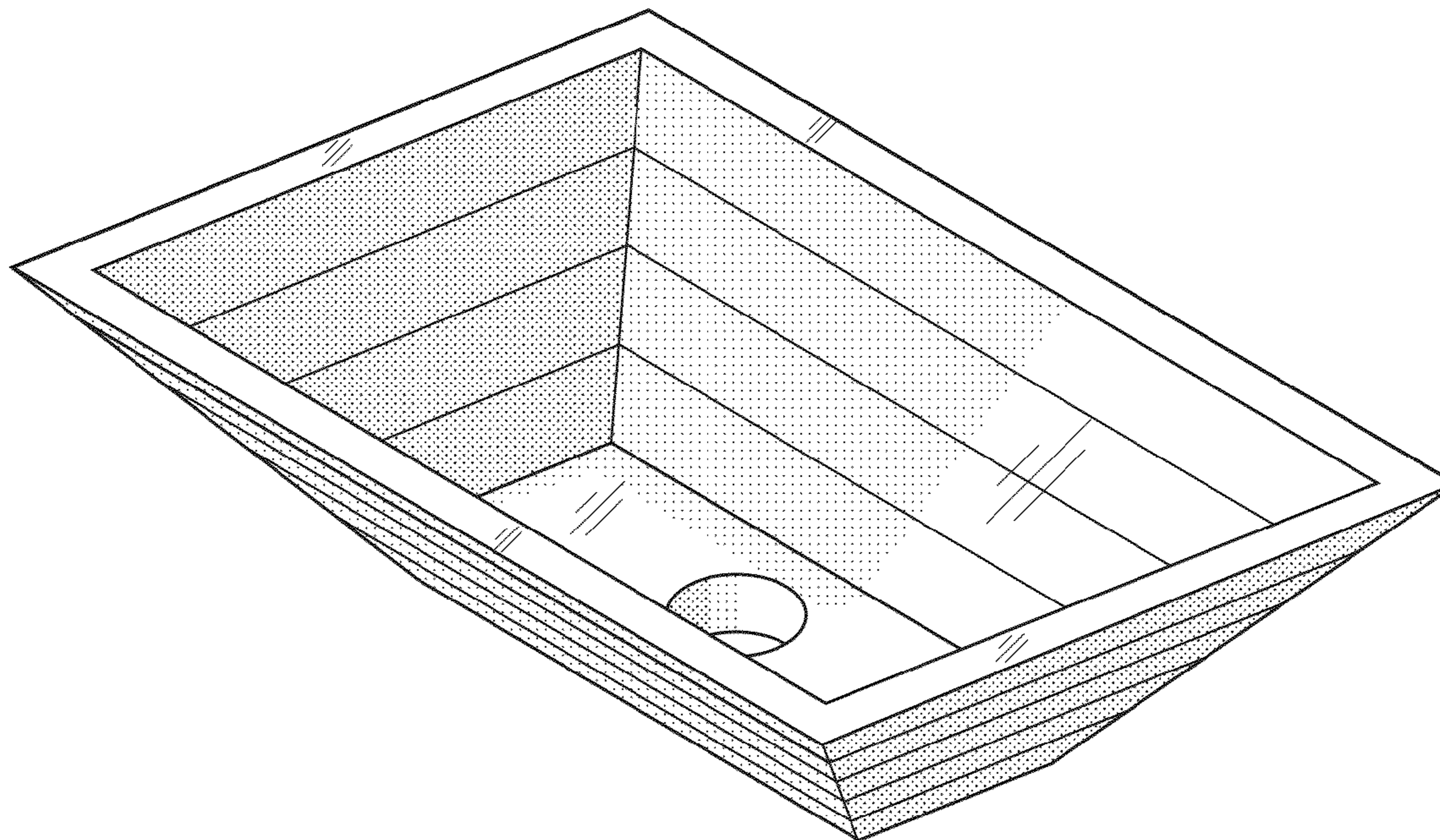
(57) **CLAIM**

The ornamental design for a basin, as shown and described.

DESCRIPTION

FIG. 1 is a perspective view of the basin of the present design. FIG. 2 is a front view of the basin of FIG. 1. FIG. 3 is a rear view of the basin of FIG. 1. FIG. 4 is a top view of the basin of FIG. 1. FIG. 5 is a bottom view of the basin of FIG. 1. FIG. 6 is a right side view of the basin of FIG. 1; and, FIG. 7 is a left side view of the basin of FIG. 1.

1 Claim, 7 Drawing Sheets



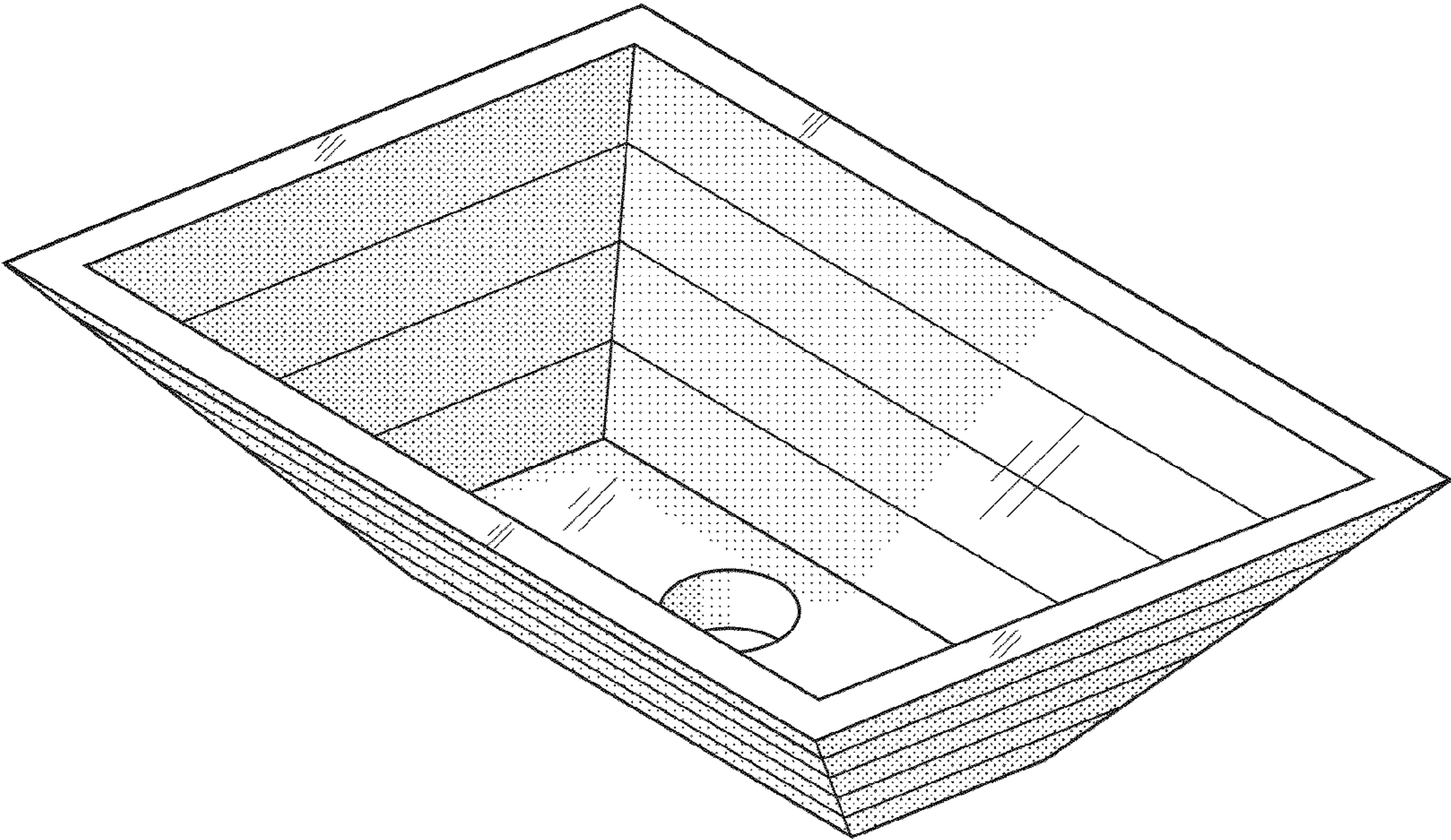


FIG. 1

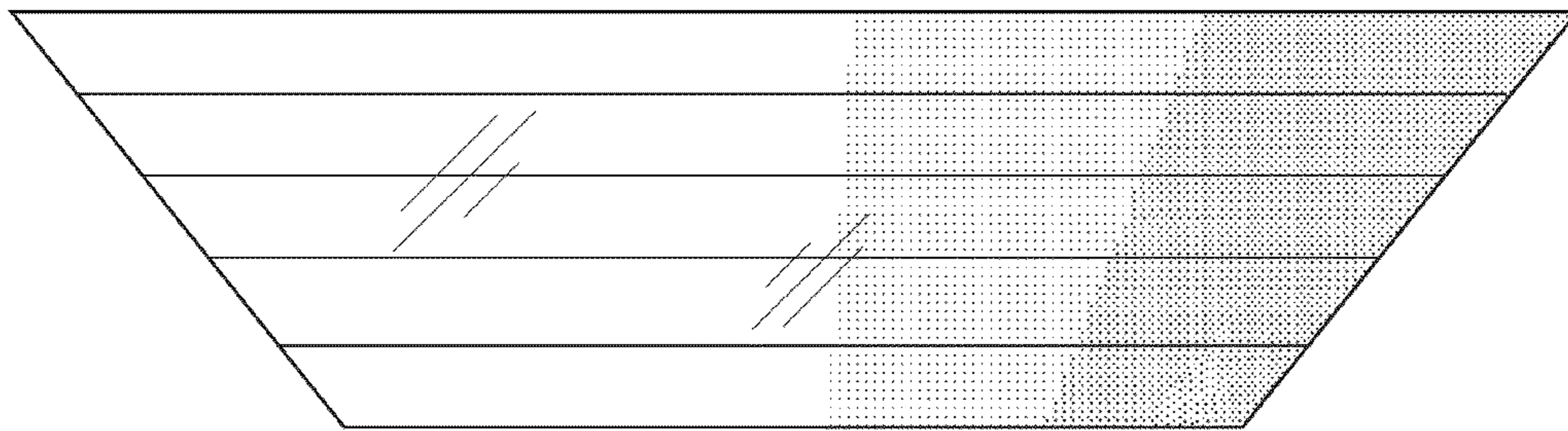


FIG. 2

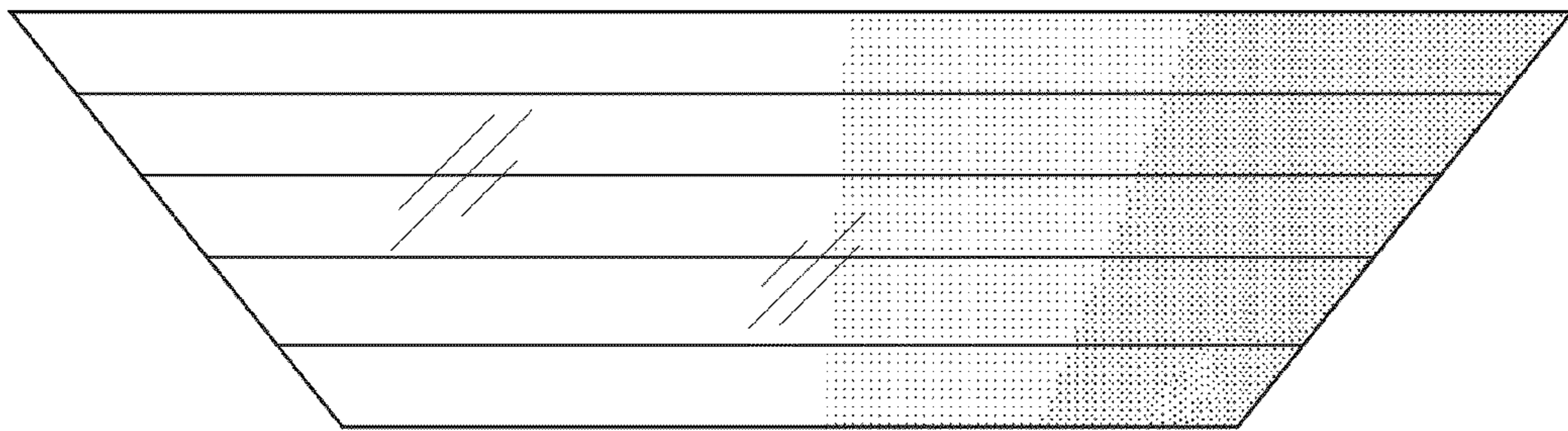


FIG. 3

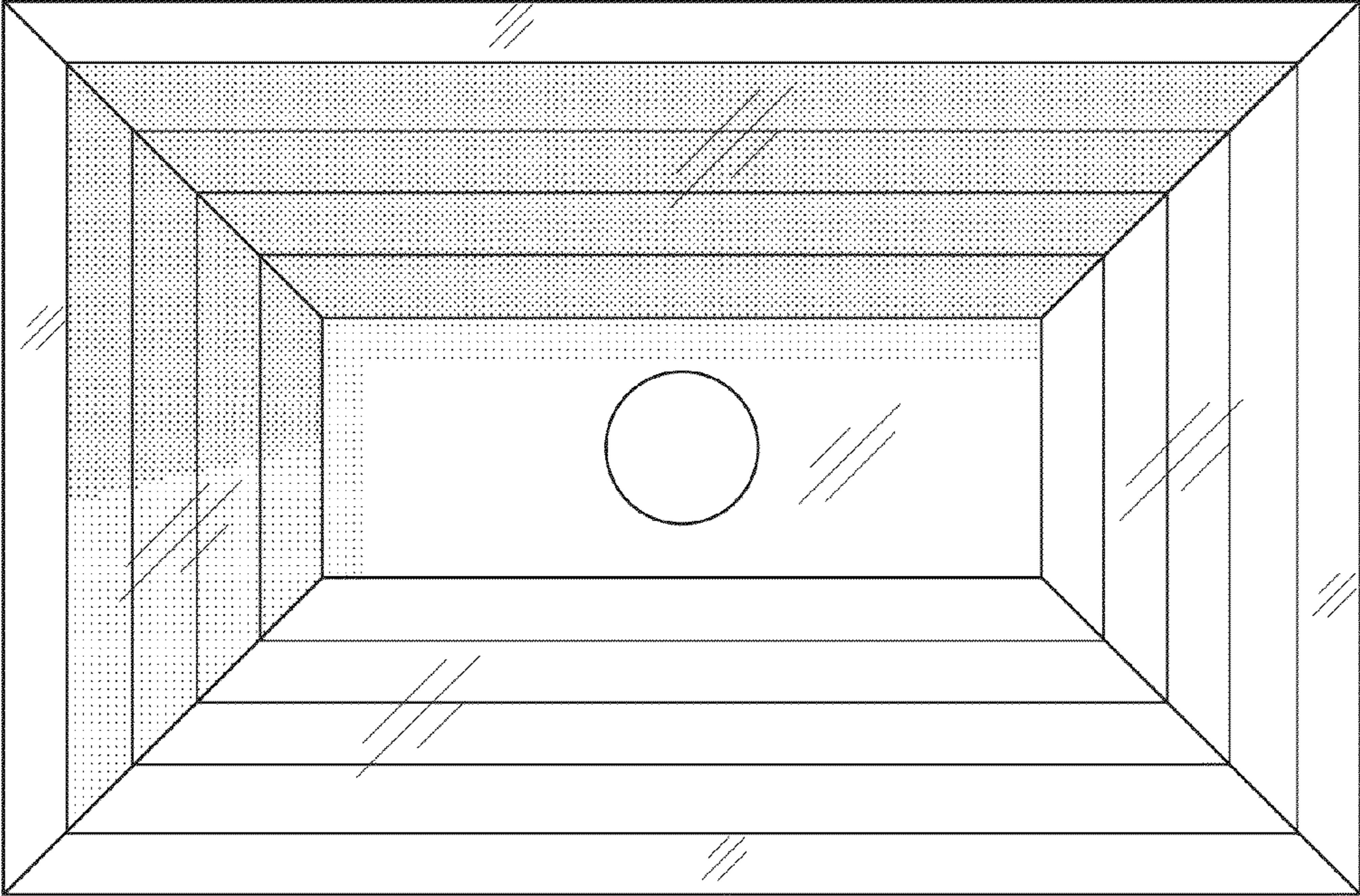


FIG. 4

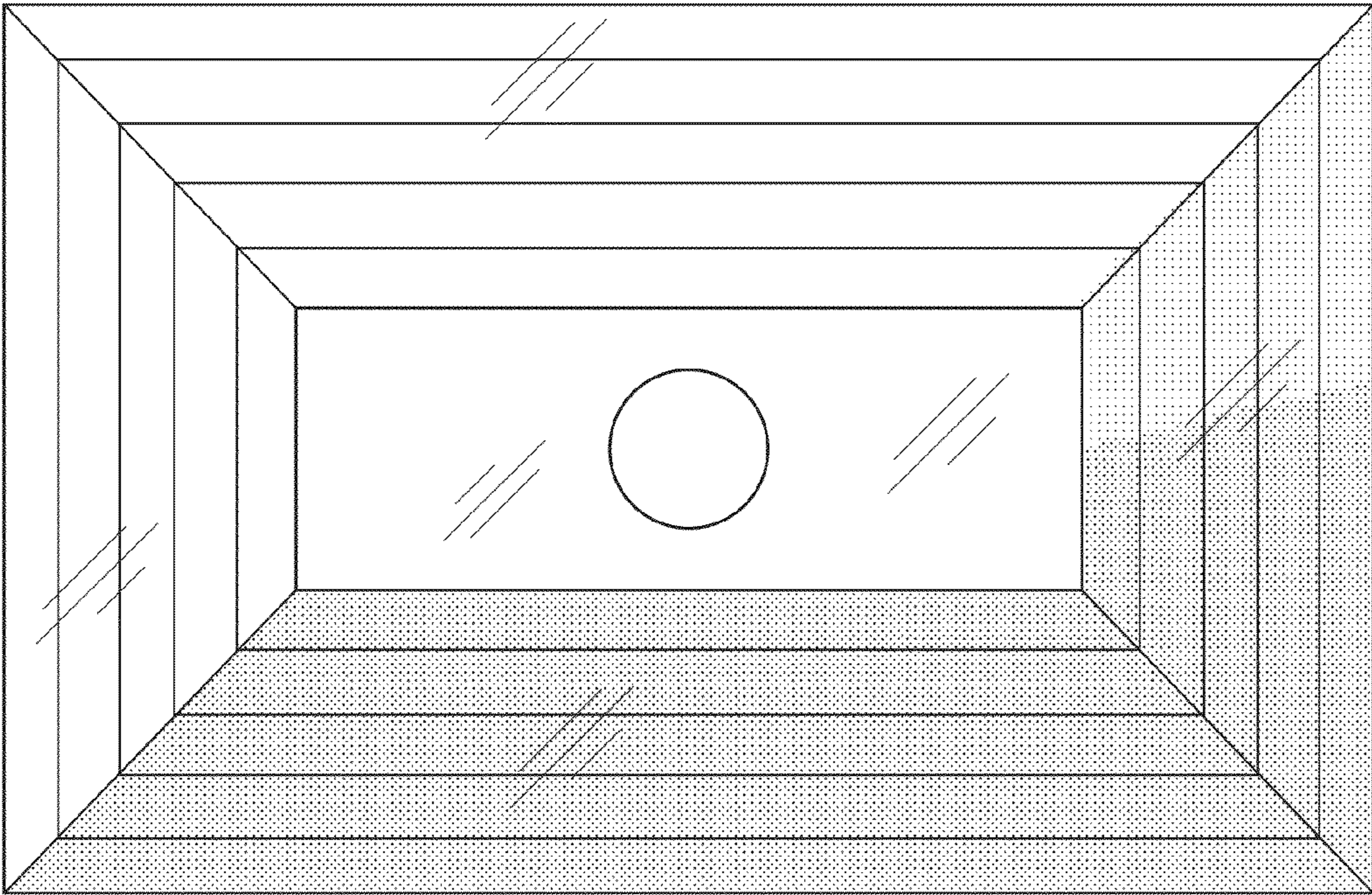


FIG. 5

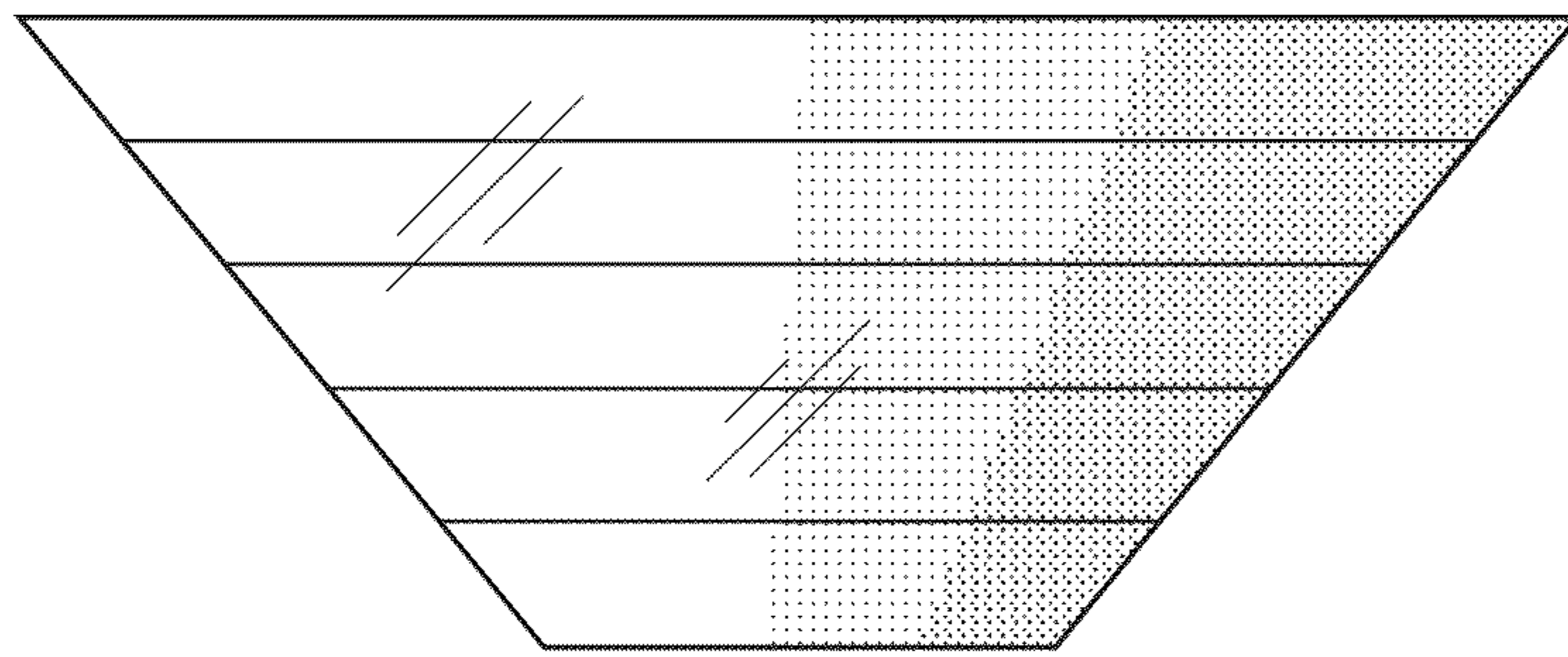


FIG. 6

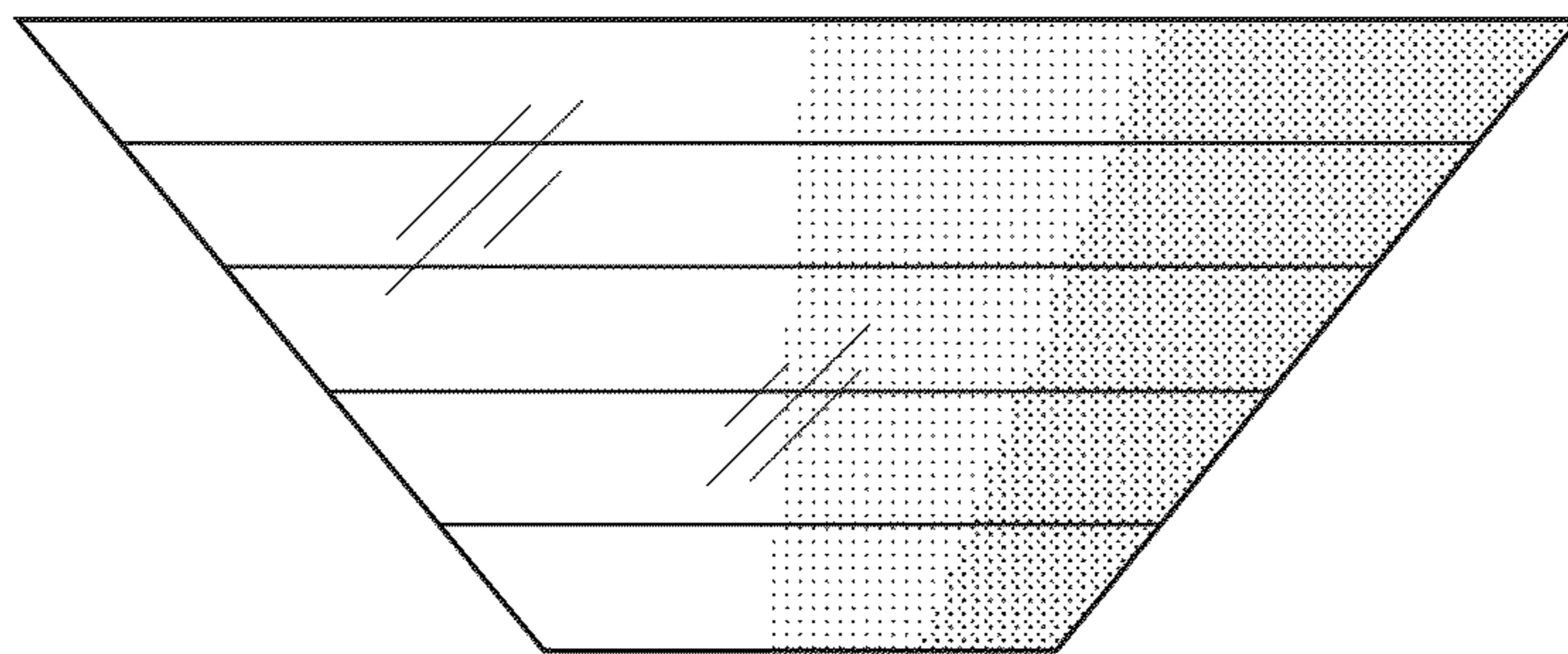


FIG. 7