



US00D740923S

(12) **United States Design Patent**
Tu

(10) **Patent No.:** **US D740,923 S**
(45) **Date of Patent:** **** Oct. 13, 2015**

(54) **BATHTUB FOR BABIES**

(56) **References Cited**

(71) Applicant: **BEI YU INDUSTRIAL CO.**, Tainan
(TW)

U.S. PATENT DOCUMENTS

2,765,475 A * 10/1956 Nolan 4/572.1
2,831,199 A * 4/1958 Stanley 4/592
D350,597 S * 9/1994 Wise D23/278
5,361,429 A * 11/1994 Lin 4/572.1

(72) Inventor: **Wen-Chih Tu**, Tainan (TW)

* cited by examiner

(73) Assignee: **Bei Yu Industrial Co.**, Tainan (TW)

Primary Examiner — Robert Delehanty

(74) *Attorney, Agent, or Firm* — Rosenberg, Klein & Lee

(**) Term: **14 Years**

(57) **CLAIM**

The ornamental design for a bathtub for babies, as shown and described.

(21) Appl. No.: **29/503,619**

DESCRIPTION

(22) Filed: **Sep. 29, 2014**

FIG. 1 is a perspective view of a bathtub for babies my new design;

(51) **LOC (10) Cl.** **23-02**

FIG. 2 is a front elevational view thereof;

(52) **U.S. Cl.**

FIG. 3 is a rear elevational view thereof;

USPC **D23/278**

FIG. 4 is a left side elevational view thereof;

(58) **Field of Classification Search**

USPC D23/277-278, 303-304; D30/158

FIG. 5 is a right side elevational view thereof;

CPC A47K 3/034; A47K 3/074; A47K 3/127

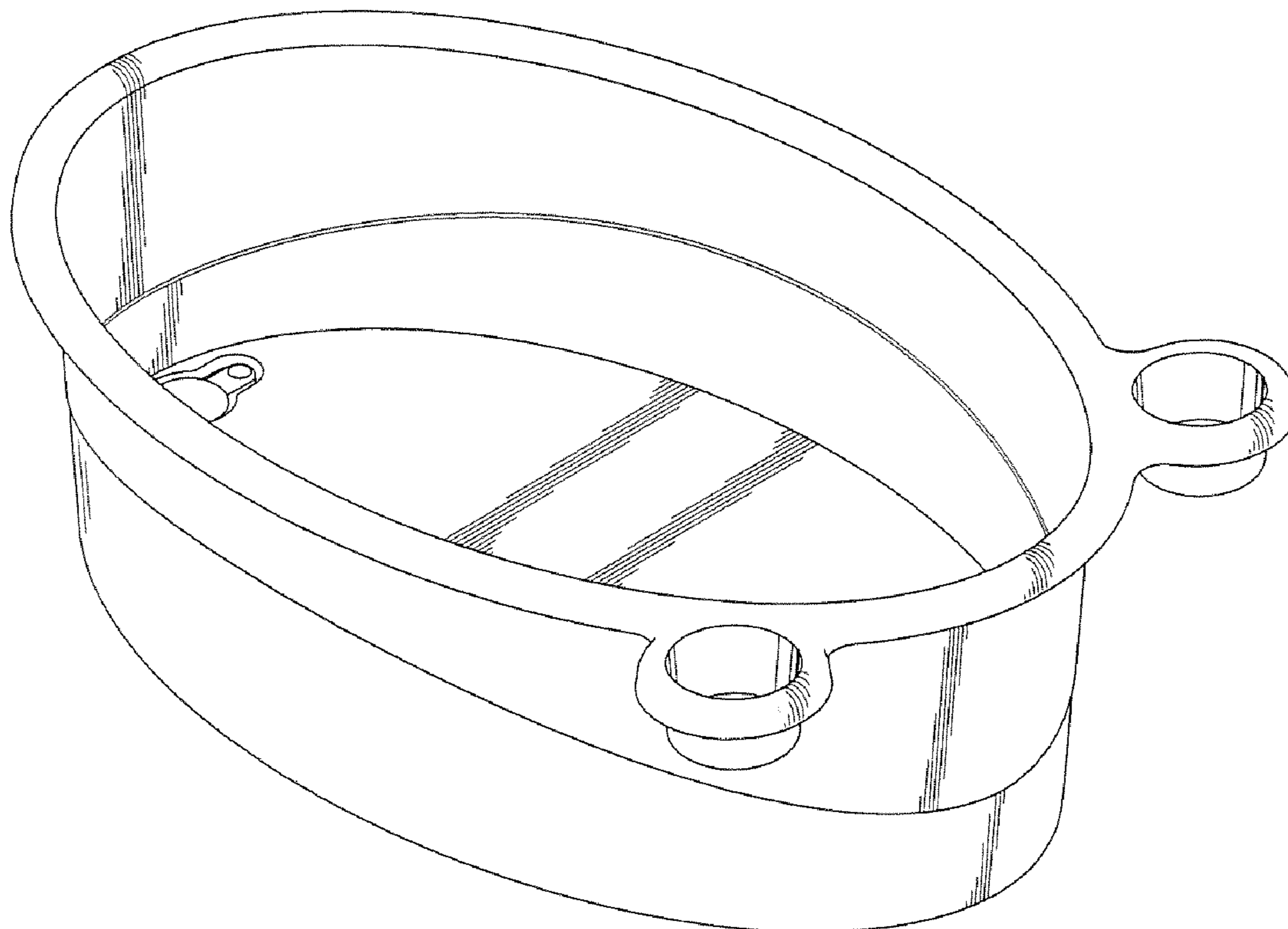
FIG. 6 is a top plan view thereof; and,

See application file for complete search history.

FIG. 7 is a bottom plan view thereof.

The broken lines shown in the drawings are included for the purpose of illustrating a portion of the bathtub that forms no part of the claimed design.

1 Claim, 7 Drawing Sheets



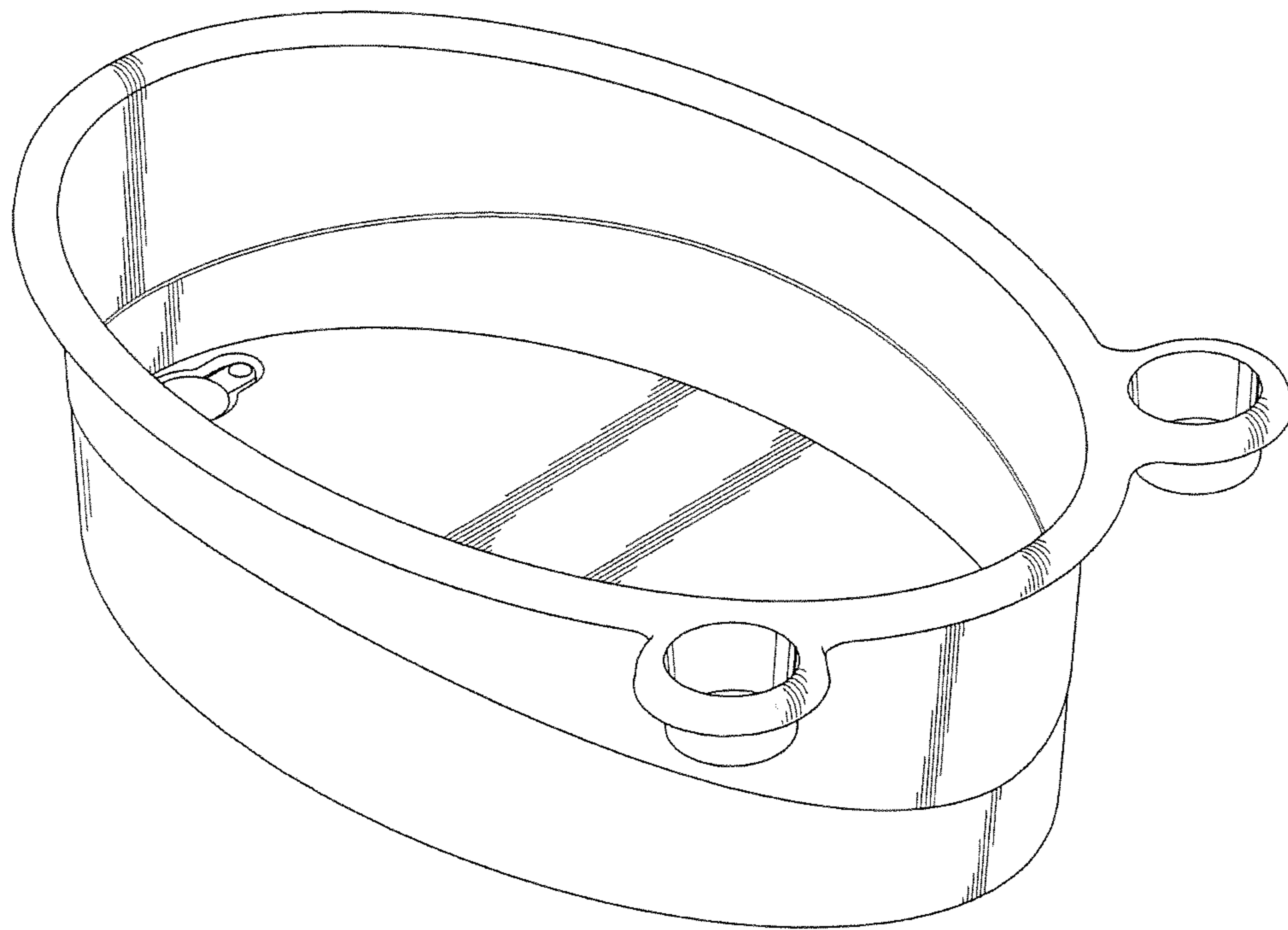


FIG. 1

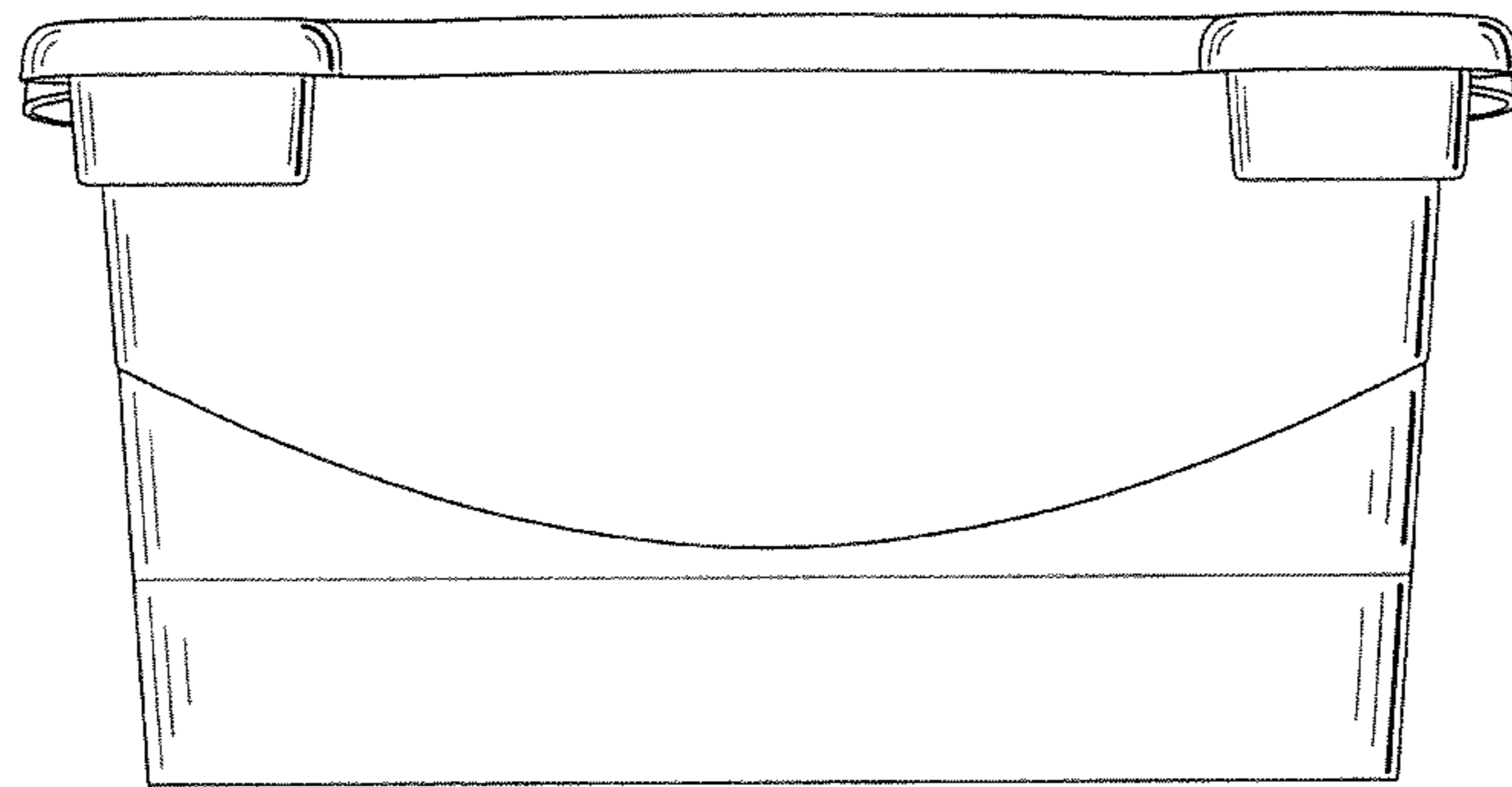


FIG. 2

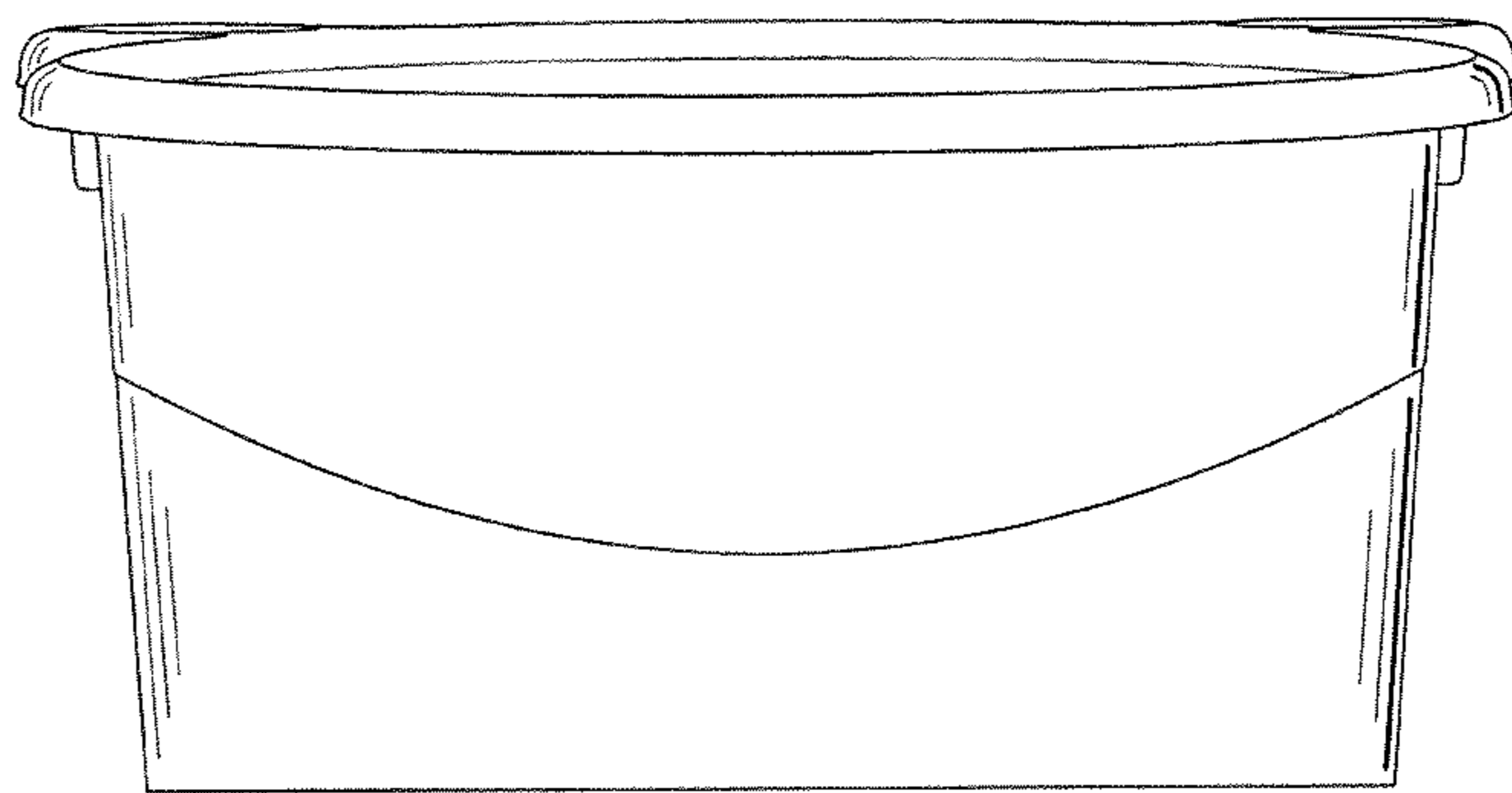


FIG. 3

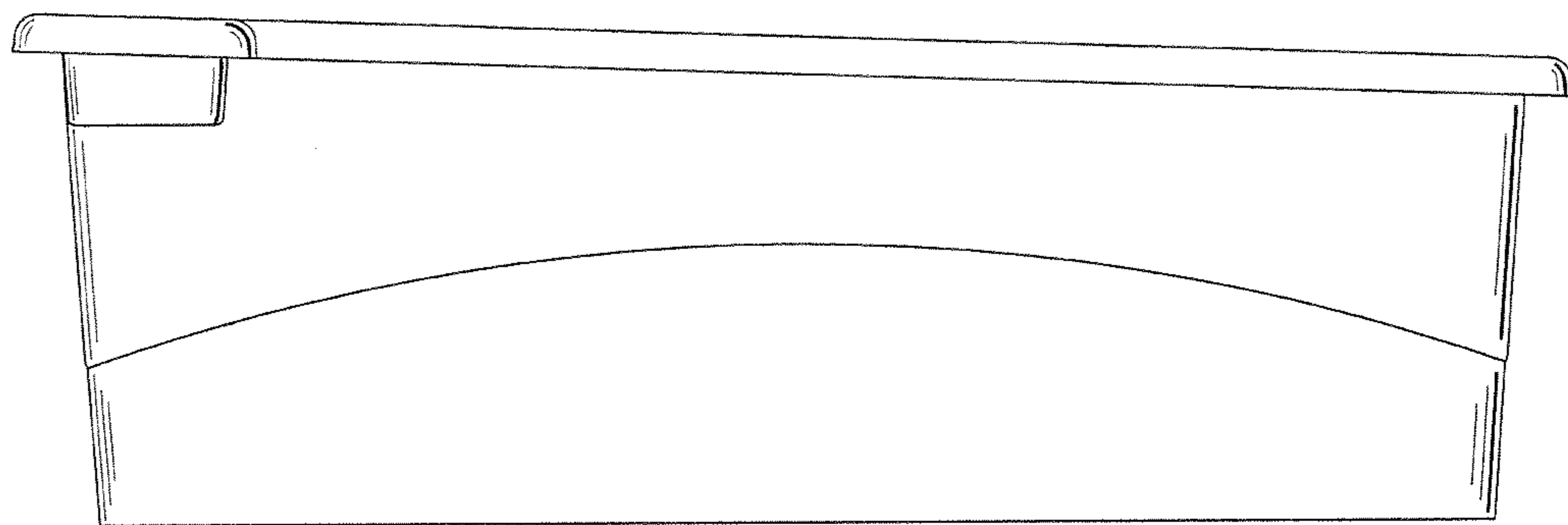


FIG. 4

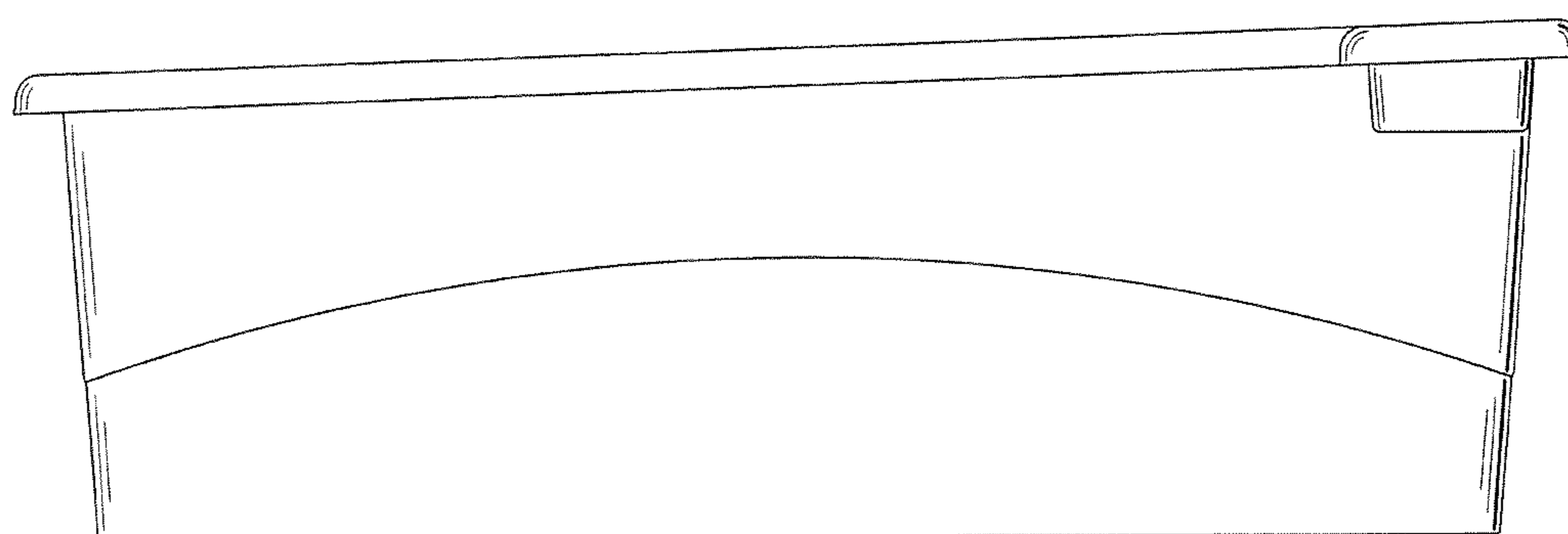


FIG. 5

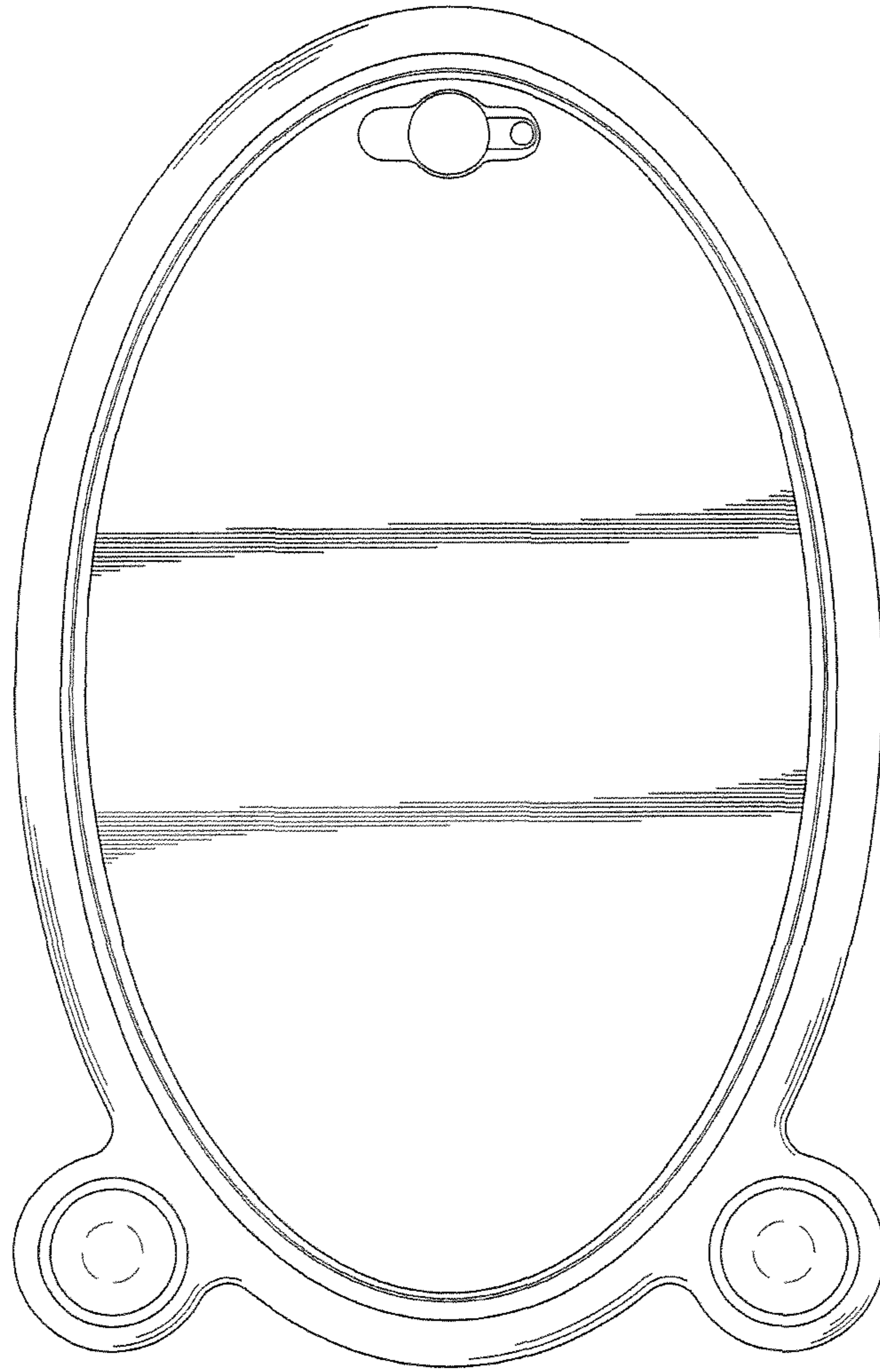


FIG. 6

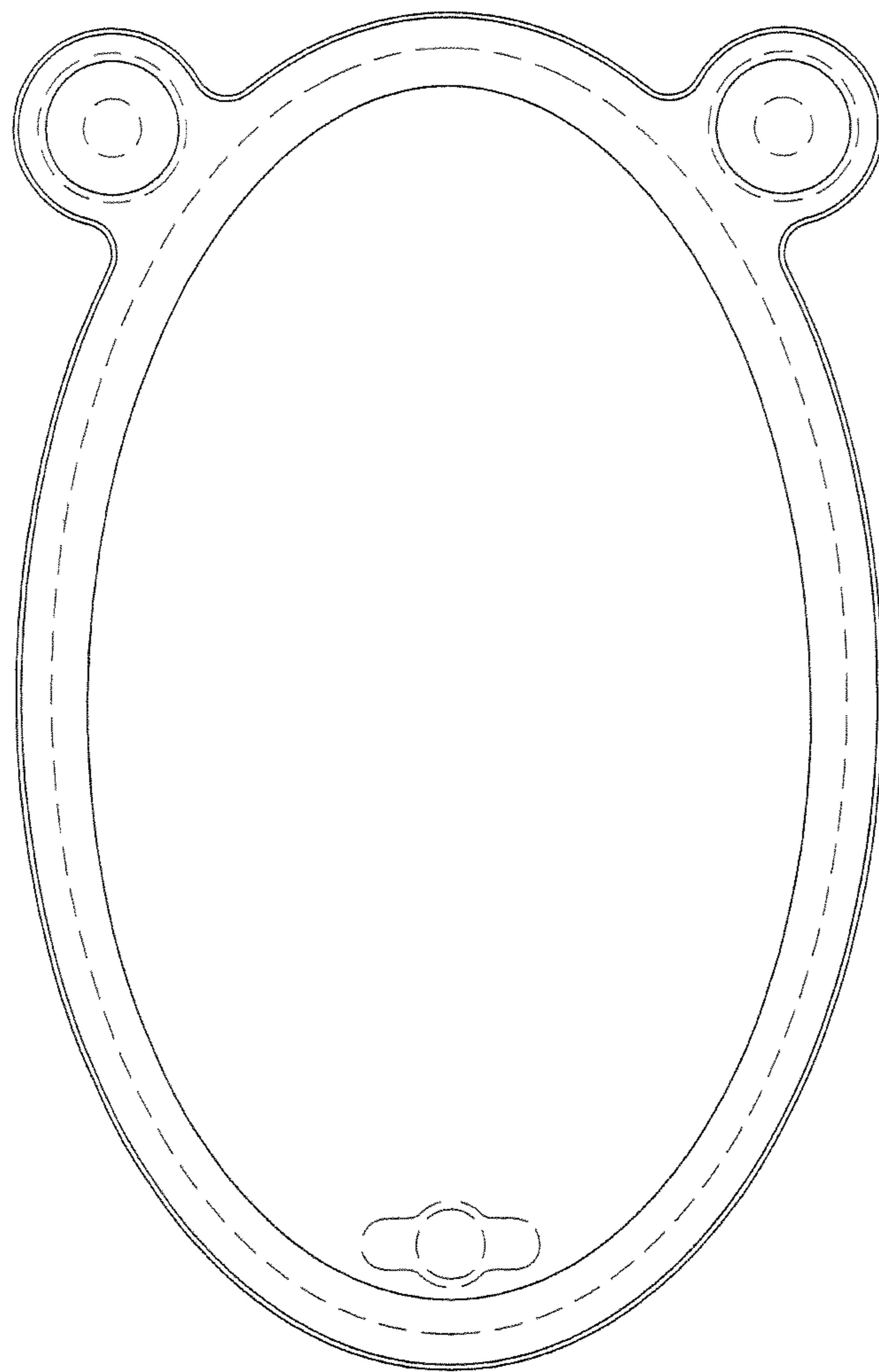


FIG. 7