



US00D740921S

(12) **United States Design Patent**  
**Kuehner et al.**

(10) **Patent No.:** **US D740,921 S**  
(45) **Date of Patent:** **\*\* Oct. 13, 2015**

- (54) **PIPE COUPLING SEGMENT**
- (71) Applicant: **Victaulic Company**, Easton, PA (US)
- (72) Inventors: **Ryan D. Kuehner**, Kunkletown, PA (US); **Alan M. Yesavage**, Lenhartsville, PA (US); **Douglas R. Dole**, Whitehouse Station, NJ (US)
- (73) Assignee: **Victaulic Company**, Easton, PA (US)
- (\*\*) Term: **14 Years**
- (21) Appl. No.: **29/511,486**
- (22) Filed: **Dec. 11, 2014**

D595,813	S	*	7/2009	Pierce et al.	.....	D23/262
D595,814	S	*	7/2009	Pierce et al.	.....	D23/262
D595,815	S	*	7/2009	Pierce et al.	.....	D23/262
D598,077	S	*	8/2009	Gibb et al.	.....	D23/265
D600,326	S	*	9/2009	Gibb et al.	.....	D23/265
D616,967	S	*	6/2010	Madara et al.	.....	D23/262
D618,312	S	*	6/2010	Madara et al.	.....	D23/262
D625,785	S	*	10/2010	Madara et al.	.....	D23/262
D625,786	S	*	10/2010	Bowman et al.	.....	D23/262
D625,787	S	*	10/2010	Bowman et al.	.....	D23/262
D625,788	S	*	10/2010	Madara et al.	.....	D23/262
D626,200	S	*	10/2010	Bowman et al.	.....	D23/262
D626,201	S	*	10/2010	Madara et al.	.....	D23/262
D626,202	S	*	10/2010	Porter et al.	.....	D23/262
D628,680	S	*	12/2010	Dole et al.	.....	D23/262
D629,072	S	*	12/2010	Madara et al.	.....	D23/262
D629,073	S	*	12/2010	Madara et al.	.....	D23/262
D629,074	S	*	12/2010	Shah et al.	.....	D23/262

(Continued)

**Related U.S. Application Data**

- (62) Division of application No. 29/493,967, filed on Jun. 16, 2014, now Pat. No. Des. 729,356.
- (51) **LOC (10) Cl.** ..... **23-01**
- (52) **U.S. Cl.**  
USPC ..... **D23/262**
- (58) **Field of Classification Search**  
USPC ..... D23/259, 260, 261, 262, 263, 264, 265, D23/266, 267, 268, 269; D8/349, 394, 396, D8/354, 355, 382; 239/428.5; 285/1, 112, 285/179, 340, 367, 404, 420; 403/300, 373; 411/5, 10; 248/65  
CPC ..... E03C 1/084; F16L 17/04; F16L 21/06; F16L 43/001; F16L 37/091; F16L 23/08; F16L 23/10; F16L 3/04; F16B 7/0426  
See application file for complete search history.

*Primary Examiner* — John Windmuller

*Assistant Examiner* — Steven Czyz

(74) *Attorney, Agent, or Firm* — Ballard Spahr LLP

(57)

**CLAIM**

The ornamental design for a pipe coupling segment, as shown and described.

**DESCRIPTION**

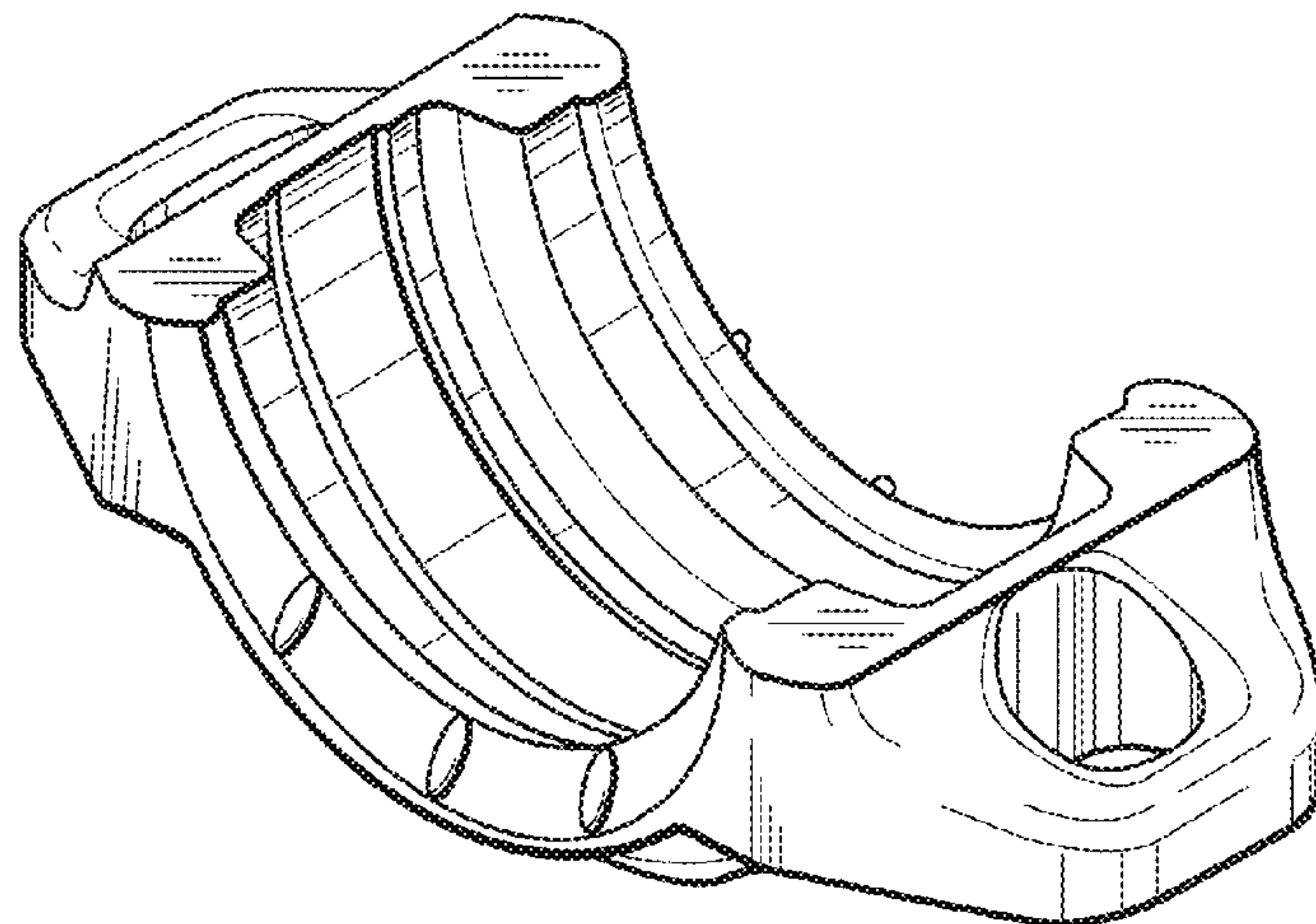
FIG. 1 is an isometric view of an embodiment of our design for a pipe coupling segment;  
 FIG. 2 top view of the design for the pipe coupling segment shown in FIG. 1;  
 FIG. 3 is a bottom view of the design for the pipe coupling segment shown in FIG. 1;  
 FIG. 4 is a left side view of the design for the pipe coupling segment shown in FIG. 1, the right side view being identical thereto; and,  
 FIG. 5 is a left end view of the design for the pipe coupling segment shown in FIG. 1, the right end view being identical thereto.

**1 Claim, 2 Drawing Sheets**

(56) **References Cited**

**U.S. PATENT DOCUMENTS**

D587,347	S	*	2/2009	Madara et al.	.....	D23/265
D587,348	S	*	2/2009	Madara et al.	.....	D23/265
D587,349	S	*	2/2009	Madara et al.	.....	D23/265
D590,923	S	*	4/2009	Nagle et al.	.....	D23/262



(56)

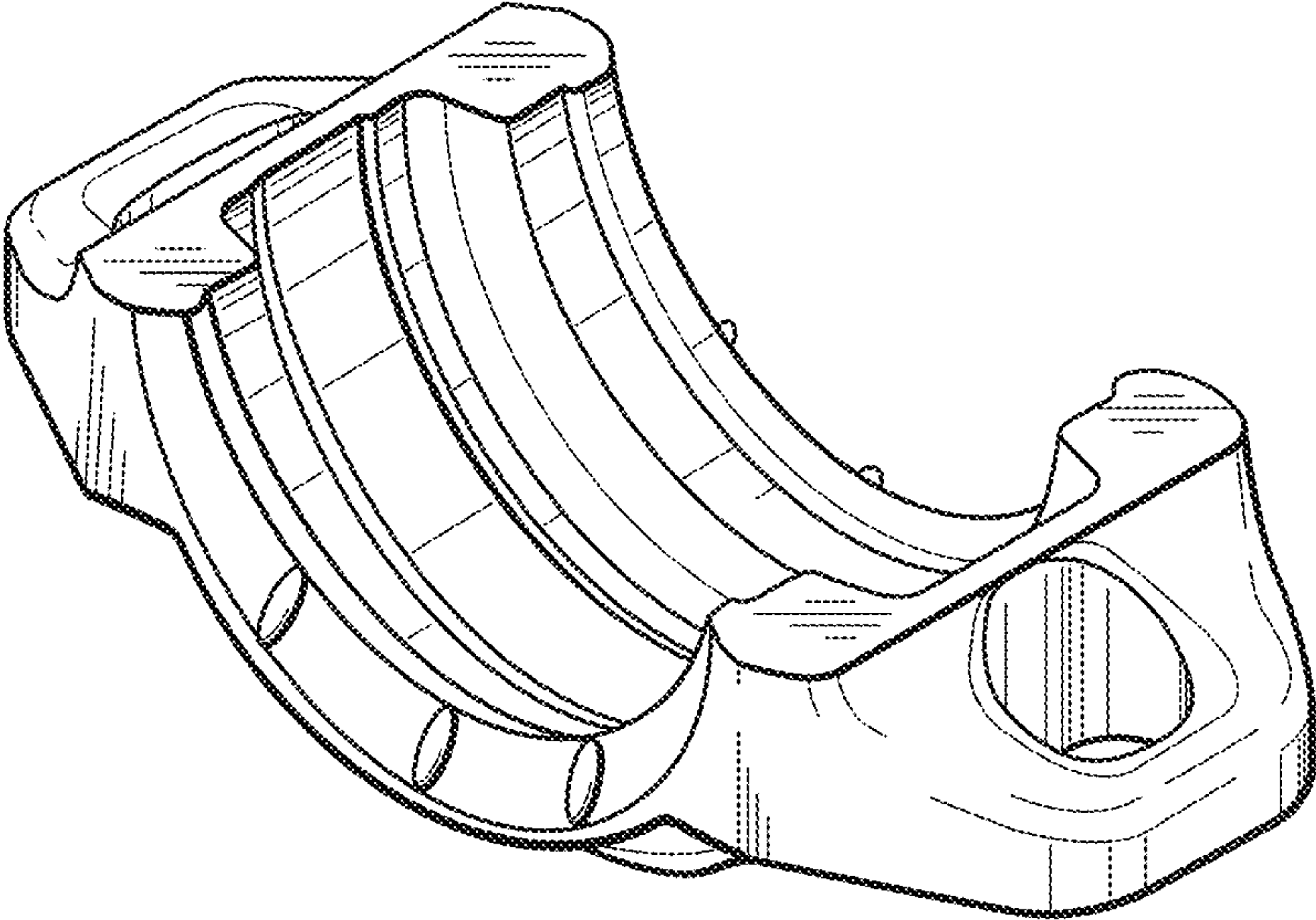
References Cited

U.S. PATENT DOCUMENTS

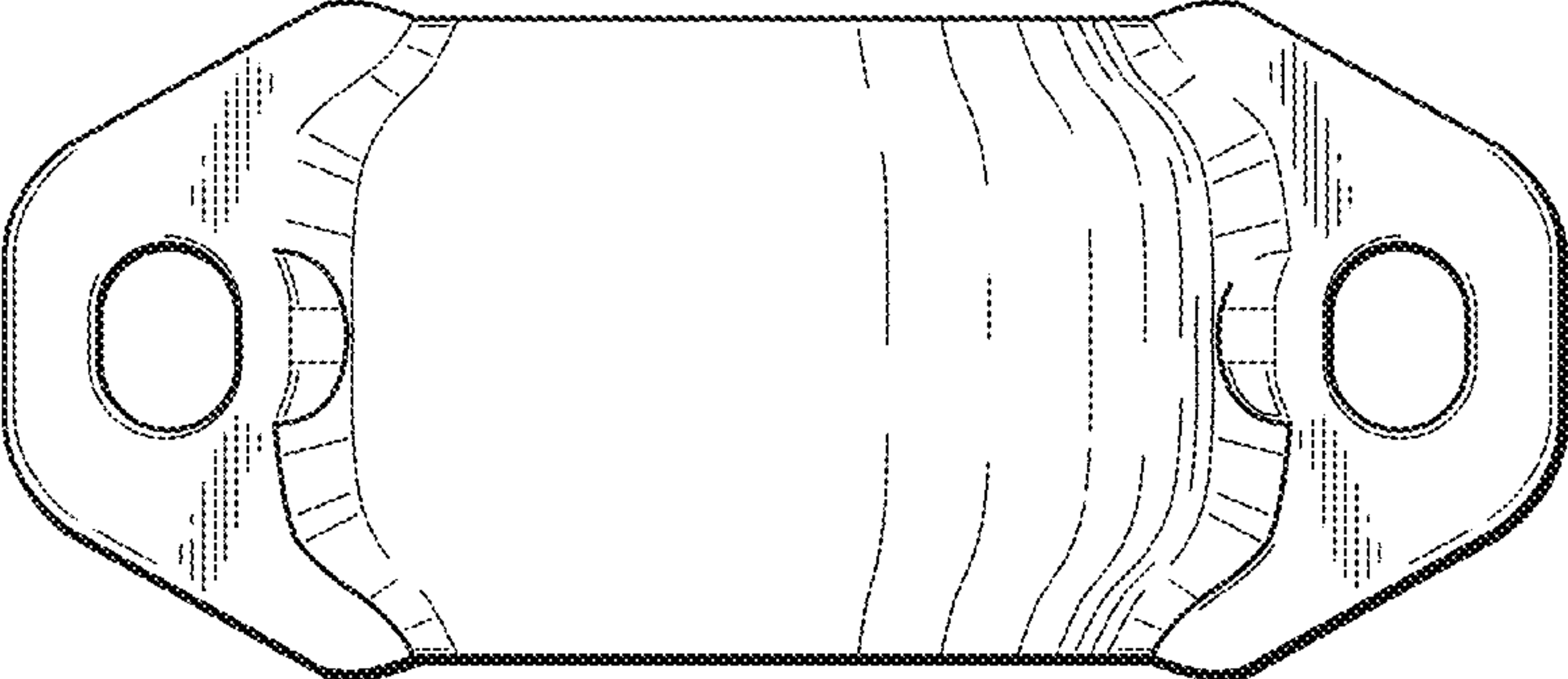
D629,075 S *	12/2010	Madara .....	D23/262	D665,889 S *	8/2012	Dole et al. ....	D23/262
D629,076 S *	12/2010	Madara et al. ....	D23/262	D672,849 S *	12/2012	Madara et al. ....	D23/262
D629,077 S *	12/2010	Porter et al. ....	D23/262	D673,248 S *	12/2012	Dole et al. ....	D23/262
D629,078 S *	12/2010	Dole et al. ....	D23/262	D674,059 S *	1/2013	Cuvo et al. ....	D23/262
D629,079 S *	12/2010	Dole et al. ....	D23/262	D674,060 S *	1/2013	Wilk et al. ....	D23/262
D629,080 S *	12/2010	Dole et al. ....	D23/262	D674,061 S *	1/2013	Cuvo et al. ....	D23/262
D629,081 S *	12/2010	Dole et al. ....	D23/262	D674,062 S *	1/2013	Madara et al. ....	D23/262
D629,082 S *	12/2010	Dole et al. ....	D23/262	D674,063 S *	1/2013	Wilk et al. ....	D23/262
D629,083 S *	12/2010	Dole et al. ....	D23/262	D674,064 S *	1/2013	Dole et al. ....	D23/262
D629,084 S *	12/2010	Dole et al. ....	D23/262	D680,629 S *	4/2013	Beagen, Jr. ....	D23/262
D629,496 S *	12/2010	Madara et al. ....	D23/262	D680,630 S *	4/2013	Beagen, Jr. ....	D23/262
D629,497 S *	12/2010	Shah et al. ....	D23/262	D685,884 S *	7/2013	Shah et al. ....	D23/262
D633,600 S *	3/2011	Madara .....	D23/262	D685,885 S *	7/2013	Shah et al. ....	D23/262
D634,817 S *	3/2011	Madara et al. ....	D23/262	D685,886 S *	7/2013	Shah et al. ....	D23/262
D636,470 S *	4/2011	Dole et al. ....	D23/262	D685,887 S *	7/2013	Madara et al. ....	D23/262
D636,471 S *	4/2011	Dole et al. ....	D23/262	D685,888 S *	7/2013	Madara et al. ....	D23/262
D636,854 S *	4/2011	Dole et al. ....	D23/262	D685,889 S *	7/2013	Madara et al. ....	D23/262
D651,290 S *	12/2011	Shah et al. ....	D23/262	RE44,444 E *	8/2013	Dole et al. ....	29/525.02
D653,310 S *	1/2012	Texier .....	D23/262	2005/0223770 A1 *	10/2005	Dole .....	72/122
D665,056 S *	8/2012	Cuvo et al. ....	D23/262	2008/0129048 A1 *	6/2008	Nagle et al. ....	285/412
D665,057 S *	8/2012	Madara et al. ....	D23/262	2008/0202185 A1 *	8/2008	Dole .....	72/115
D665,058 S *	8/2012	Cuvo et al. ....	D23/262	2009/0127846 A1 *	5/2009	Dole et al. ....	285/24
D665,059 S *	8/2012	Madara et al. ....	D23/262	2009/0200799 A1 *	8/2009	Dole et al. ....	285/341
D665,060 S *	8/2012	Wilk et al. ....	D23/262	2009/0243289 A1 *	10/2009	Madara et al. ....	285/341
D665,061 S *	8/2012	Dole et al. ....	D23/262	2010/0148493 A1 *	6/2010	Madara et al. ....	285/24
D665,888 S *	8/2012	Wilk et al. ....	D23/262	2013/0127160 A1 *	5/2013	Bancroft et al. ....	285/349
				2014/0070529 A1 *	3/2014	Bancroft et al. ....	285/337
				2014/0246852 A1 *	9/2014	Gibb et al. ....	285/337
				2014/0333062 A1 *	11/2014	Biery et al. ....	285/81

\* cited by examiner

**FIG. 1**

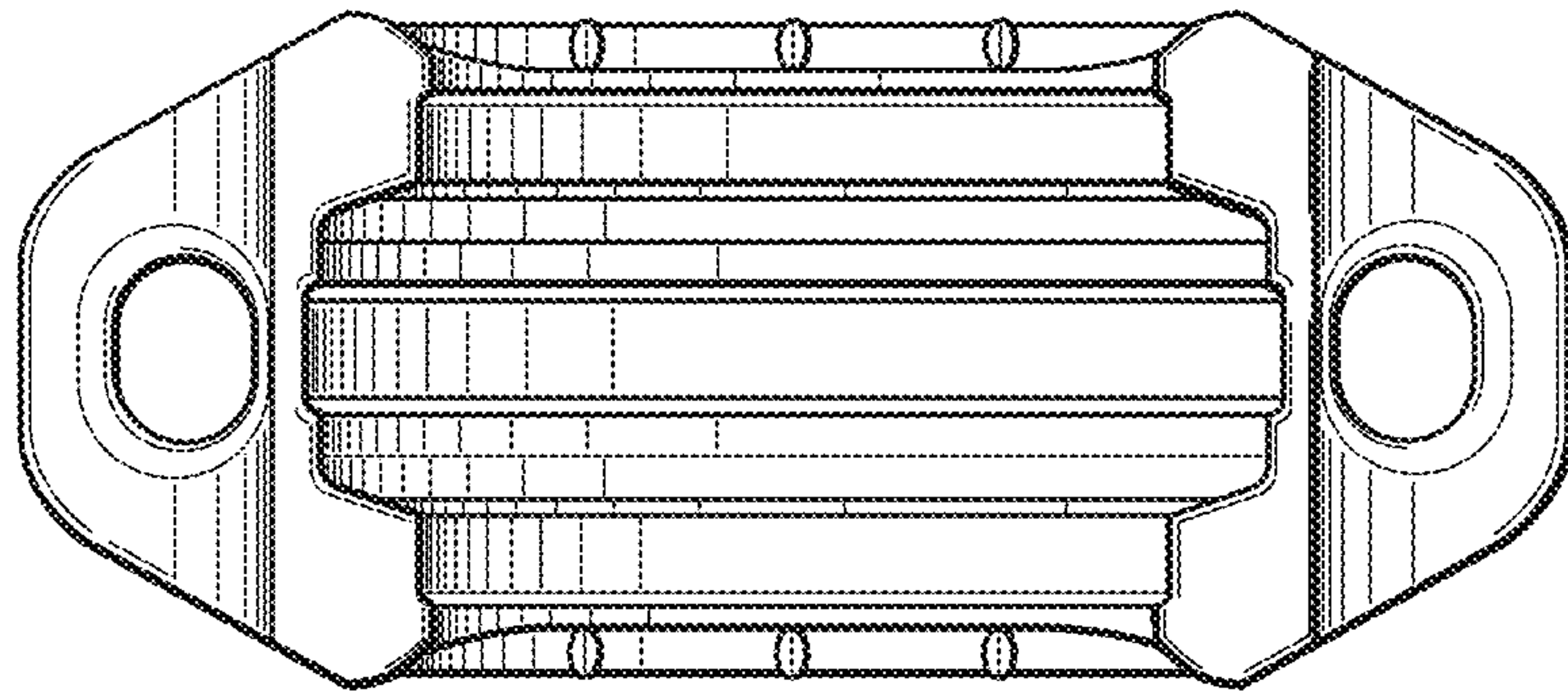


**FIG. 2**

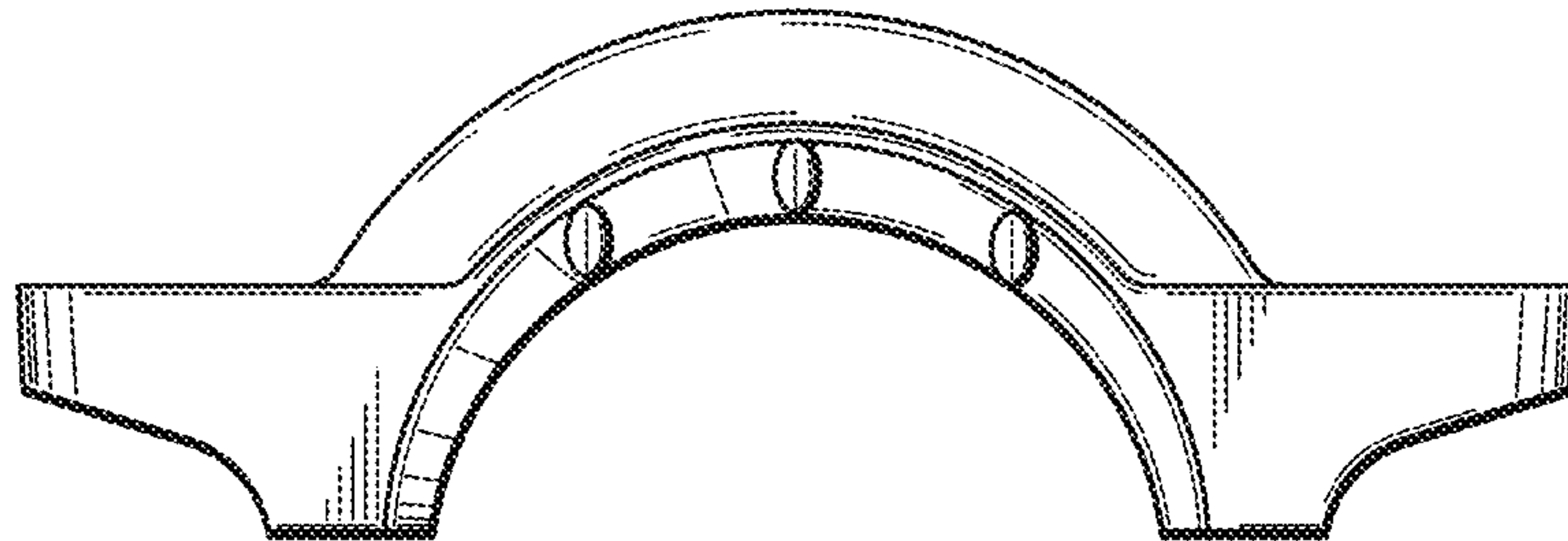




**FIG. 3**



**FIG. 4**



**FIG. 5**

