



US00D740920S

(12) **United States Design Patent**
Nakamura

(10) **Patent No.:** **US D740,920 S**
(45) **Date of Patent:** **** Oct. 13, 2015**

(54) **PIPE FLANGE SEPARATOR**

(71) Applicant: **Rodney S. Nakamura**, Honolulu, HI
(US)

(72) Inventor: **Rodney S. Nakamura**, Honolulu, HI
(US)

(**) Term: **14 Years**

(21) Appl. No.: **29/522,717**

(22) Filed: **Apr. 1, 2015**

D714,909	S	*	10/2014	Boothe	D23/233
D714,910	S	*	10/2014	Roden	D23/233
D715,405	S	*	10/2014	McAlpine	D23/233
D725,239	S	*	3/2015	Nakamura	D23/265
D727,473	S	*	4/2015	Nakamura	D23/265
2003/0230897	A1	*	12/2003	Lundstrom	285/337
2004/0239114	A1	*	12/2004	Barron et al.	285/337
2005/0224114	A1	*	10/2005	Cook et al.	137/68.14
2005/0225087	A1	*	10/2005	McMahon et al.	285/412
2006/0096641	A1	*	5/2006	Williams	137/597
2009/0051090	A1	*	2/2009	Barnes, Jr.	269/8
2009/0260216	A1	*	10/2009	Avnon	29/525
2012/0192393	A1	*	8/2012	Sindelar	29/237
2014/0101906	A1	*	4/2014	Nakamura	29/237

* cited by examiner

Related U.S. Application Data

(62) Division of application No. 29/434,648, filed on Oct. 15, 2012, now Pat. No. Des. 725,239.

(51) **LOC (10) Cl.** **23-01**

(52) **U.S. Cl.**
USPC **D23/259**

(58) **Field of Classification Search**
USPC D23/259, 262, 263, 266
CPC Y10T 29/49826; Y10T 428/139;
F16L 9/02; F16L 9/14
See application file for complete search history.

(56) **References Cited**

U.S. PATENT DOCUMENTS

3,419,290	A	*	12/1968	Campbell et al.	285/223
3,502,354	A	*	3/1970	Walker	285/24
4,106,322	A	*	8/1978	Moshnin et al.	72/356
6,112,968	A	*	9/2000	Jin et al.	227/2
6,419,279	B1	*	7/2002	Latham	285/261
D583,832	S	*	12/2008	Nimberger	D15/5
D706,390	S	*	6/2014	McLauchlan et al.	D23/233
D706,394	S	*	6/2014	Evans et al.	D23/233
D712,513	S	*	9/2014	Kainuma et al.	D23/233

Primary Examiner — Cathron Brooks

Assistant Examiner — Daniel J Domino

(74) *Attorney, Agent, or Firm* — Martin E. Hsia; Keri Ann K. S. Krzykowski

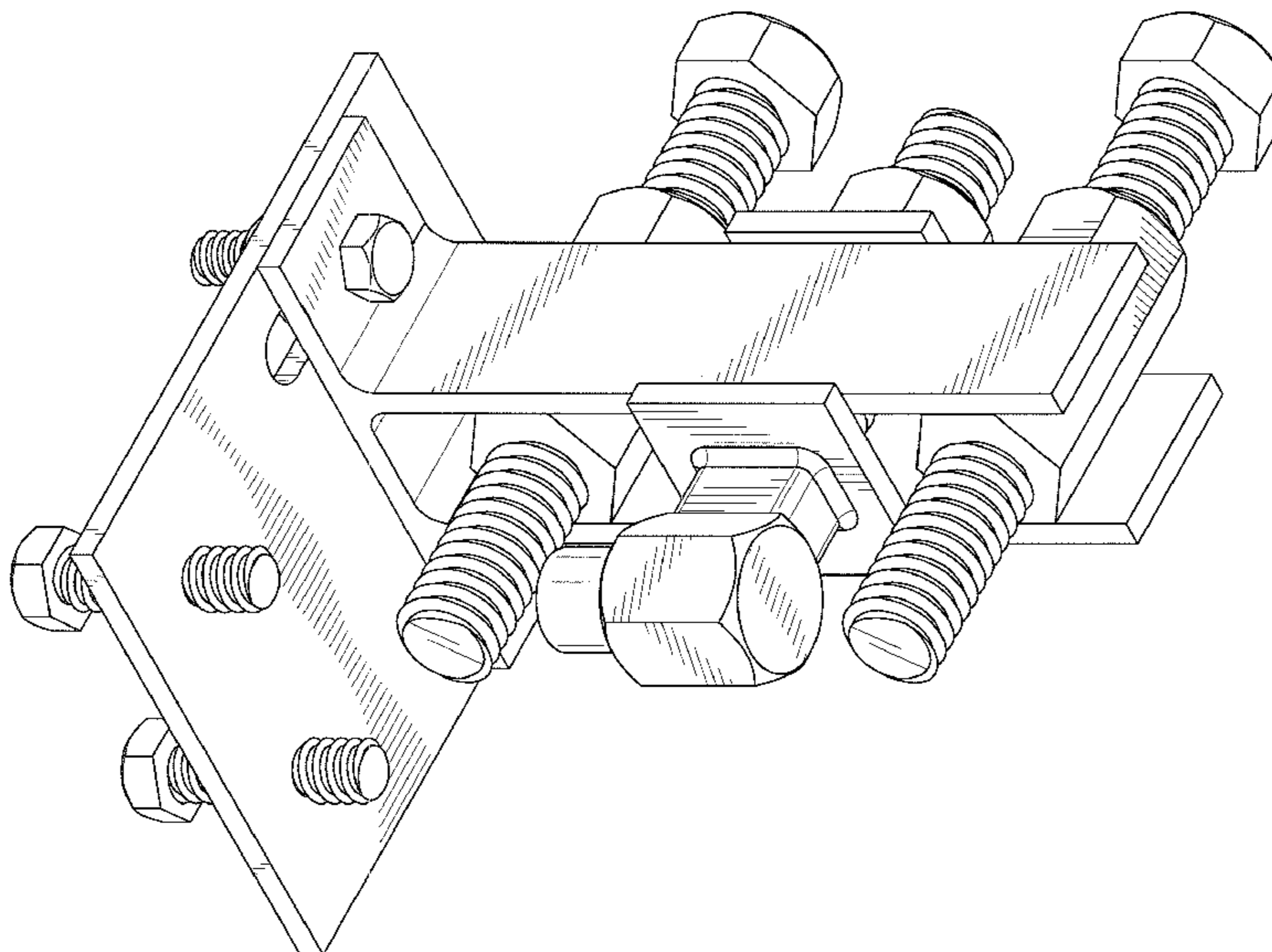
(57) **CLAIM**

The ornamental design for a pipe flange separator, as shown and described.

DESCRIPTION

FIG. 1 is a perspective view from the bottom, rear, right of a pipe flange separator of my new design;
FIG. 2 is a bottom plan view thereof;
FIG. 3 is a top plan view thereof;
FIG. 4 is an elevational view thereof from the right;
FIG. 5 is an elevational view thereof from the left;
FIG. 6 is an elevational view thereof from the rear;
FIG. 7 is an elevational view thereof from the front; and,
FIG. 8 is an elevation view thereof from the right, the broken lines showing environment only that form no part of the claimed design.

1 Claim, 8 Drawing Sheets



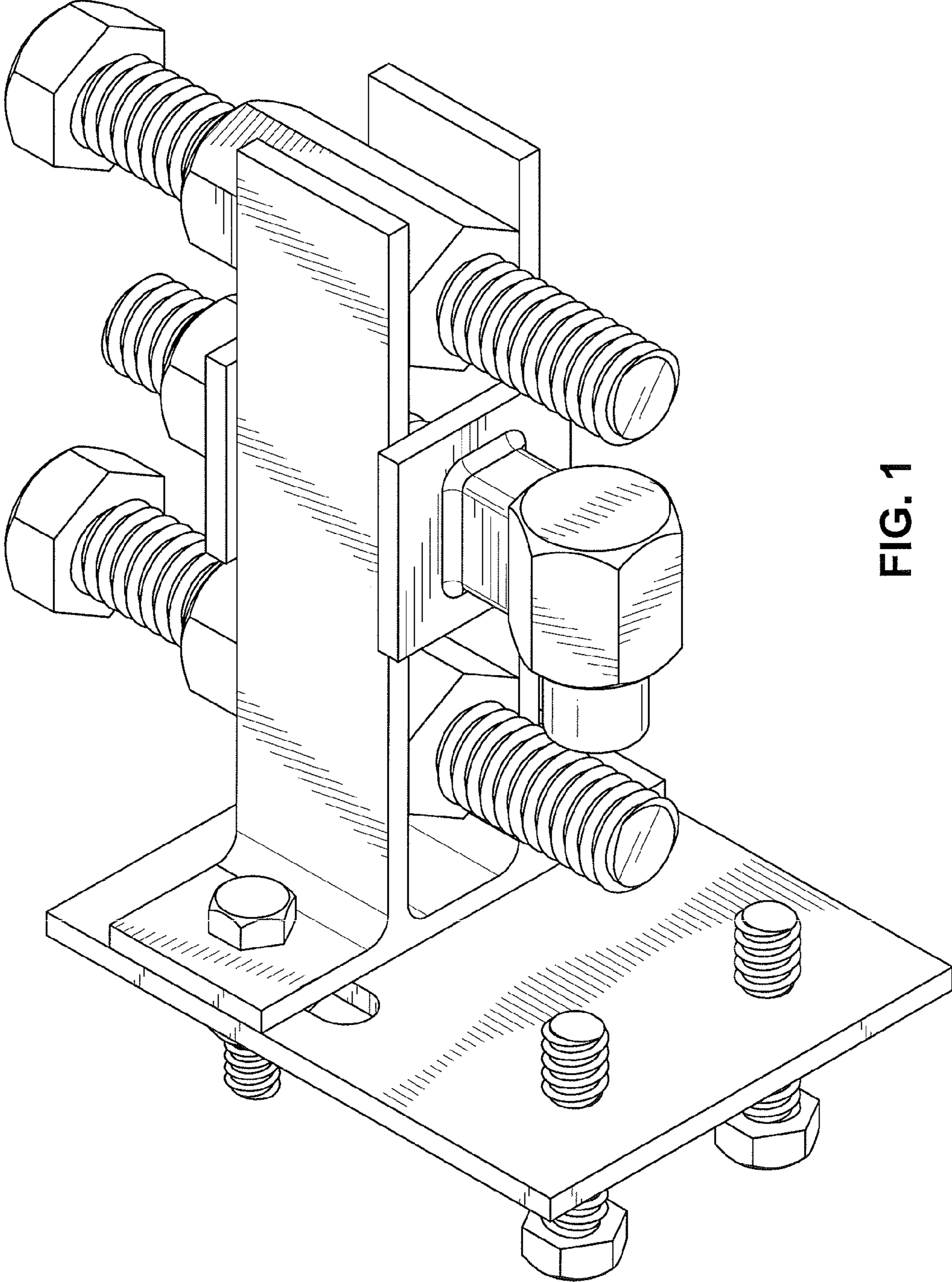


FIG. 1

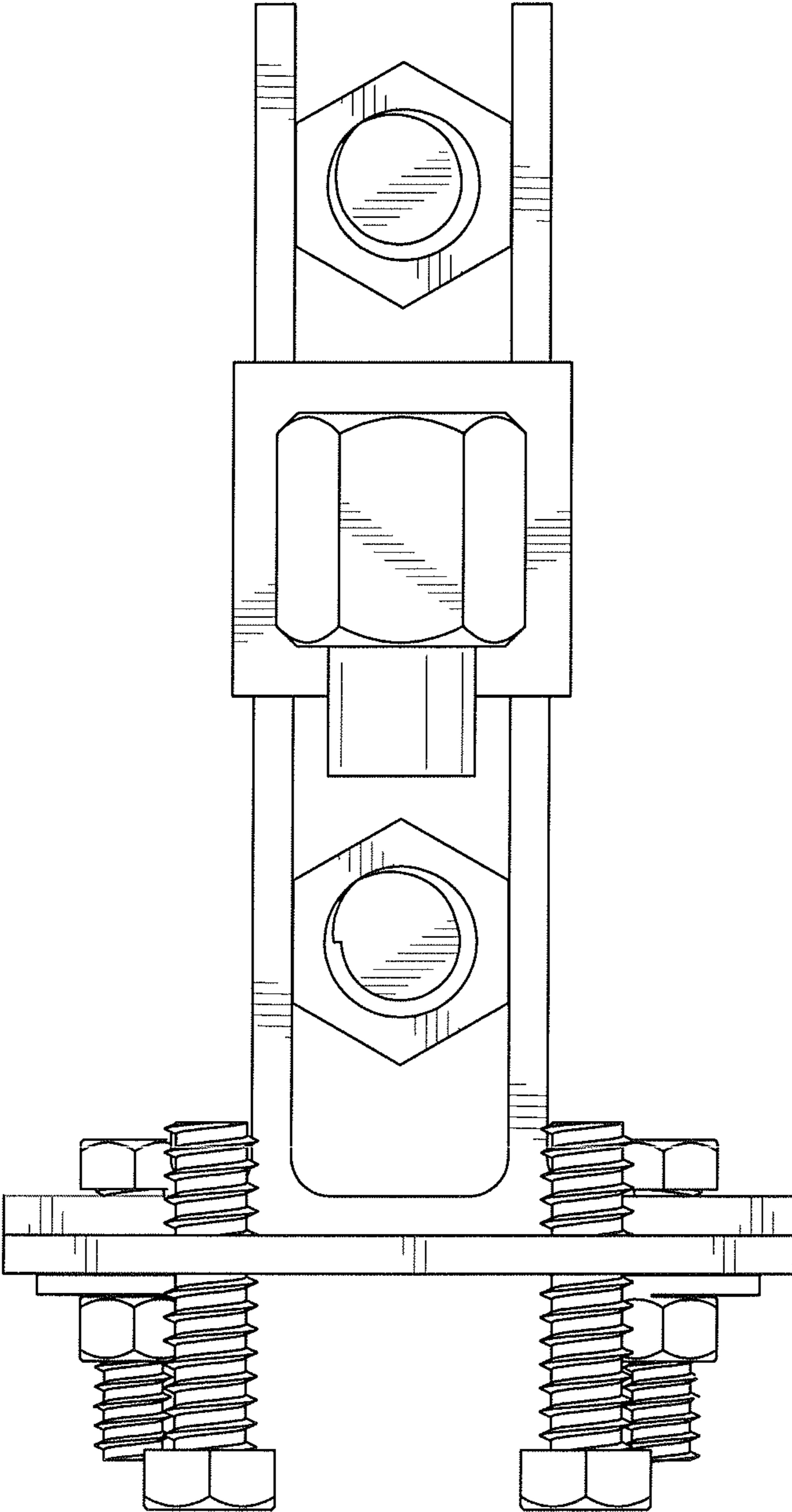


FIG. 2

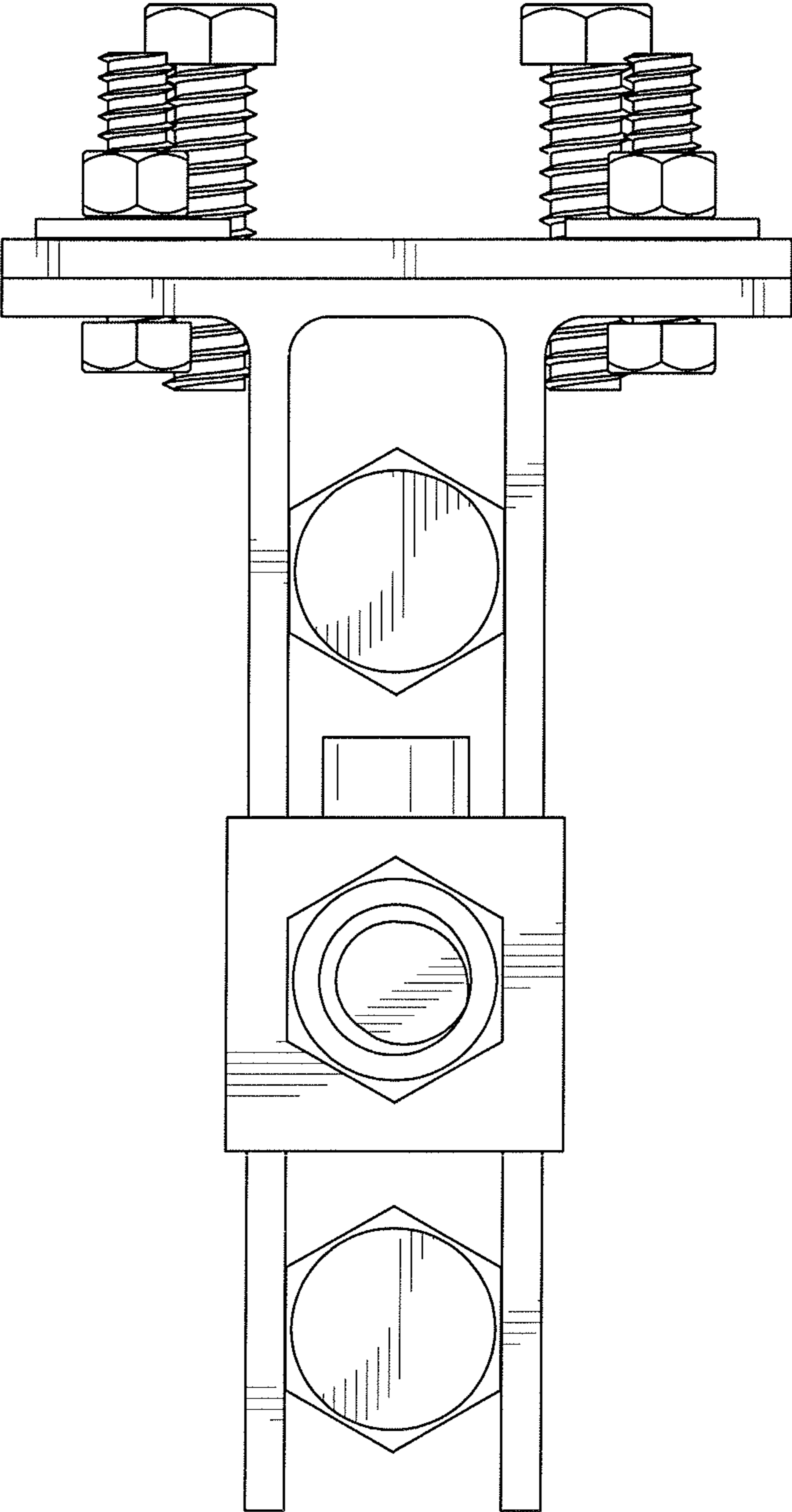


FIG. 3

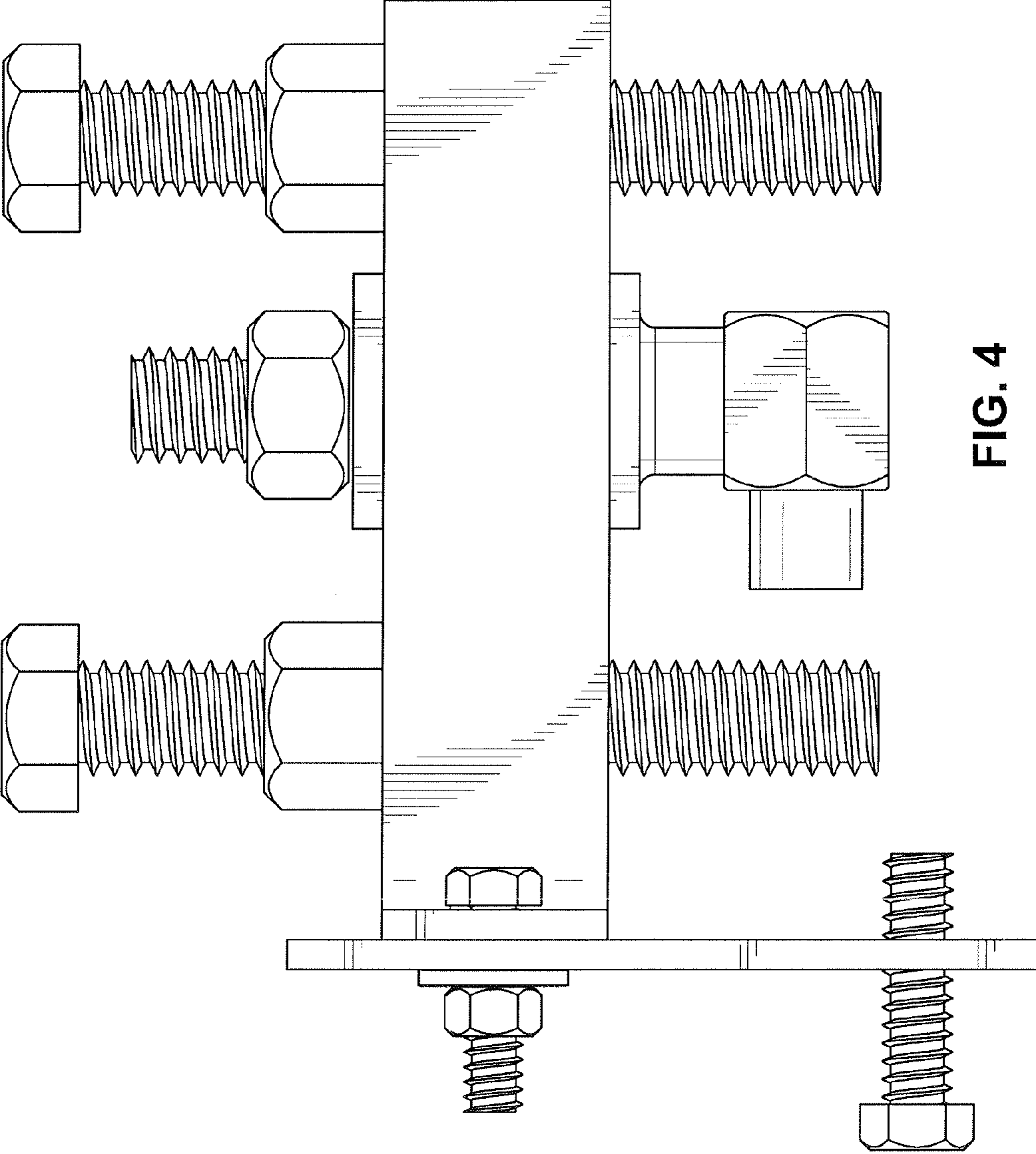


FIG. 4

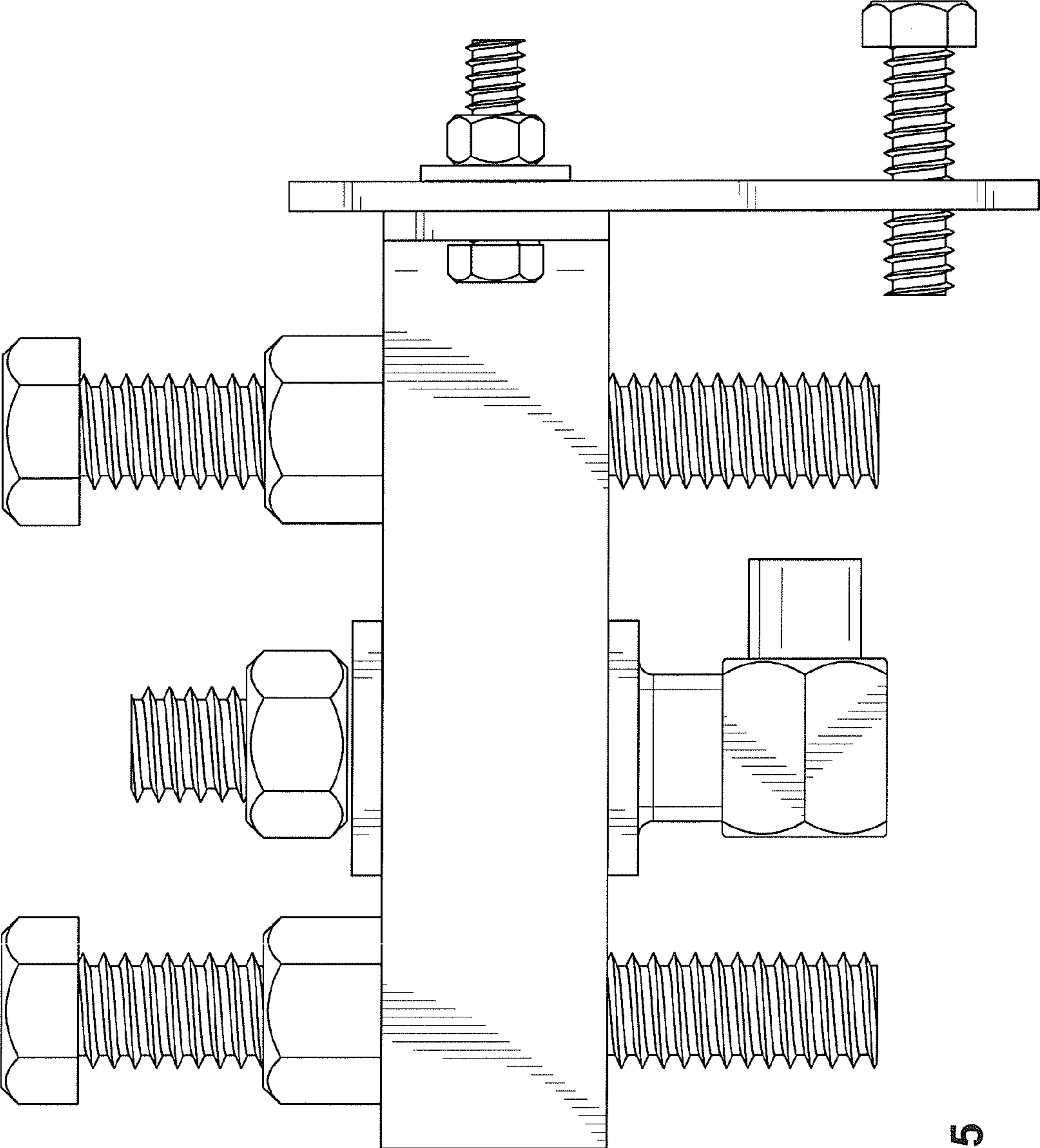


FIG. 5

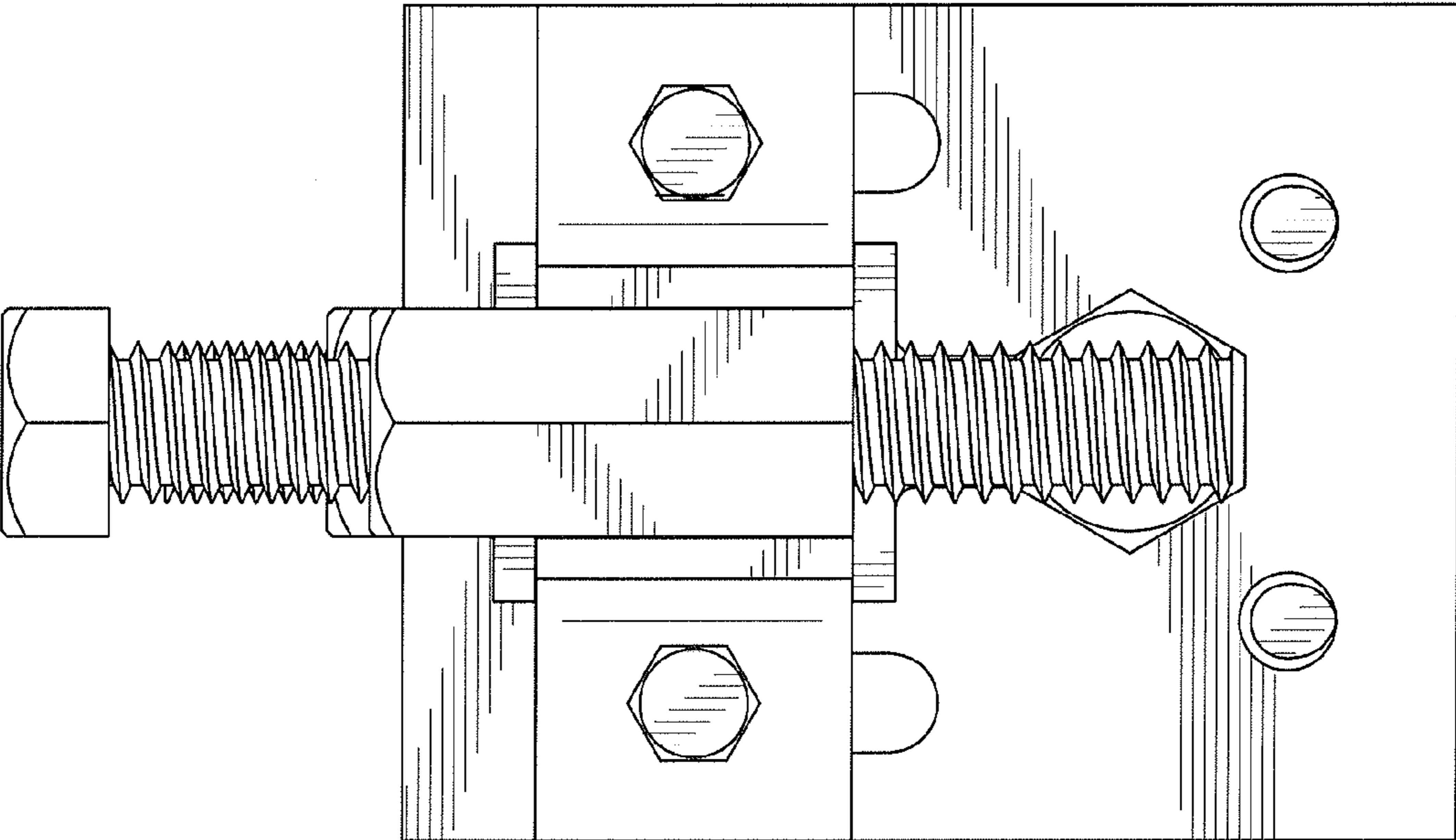


FIG. 6

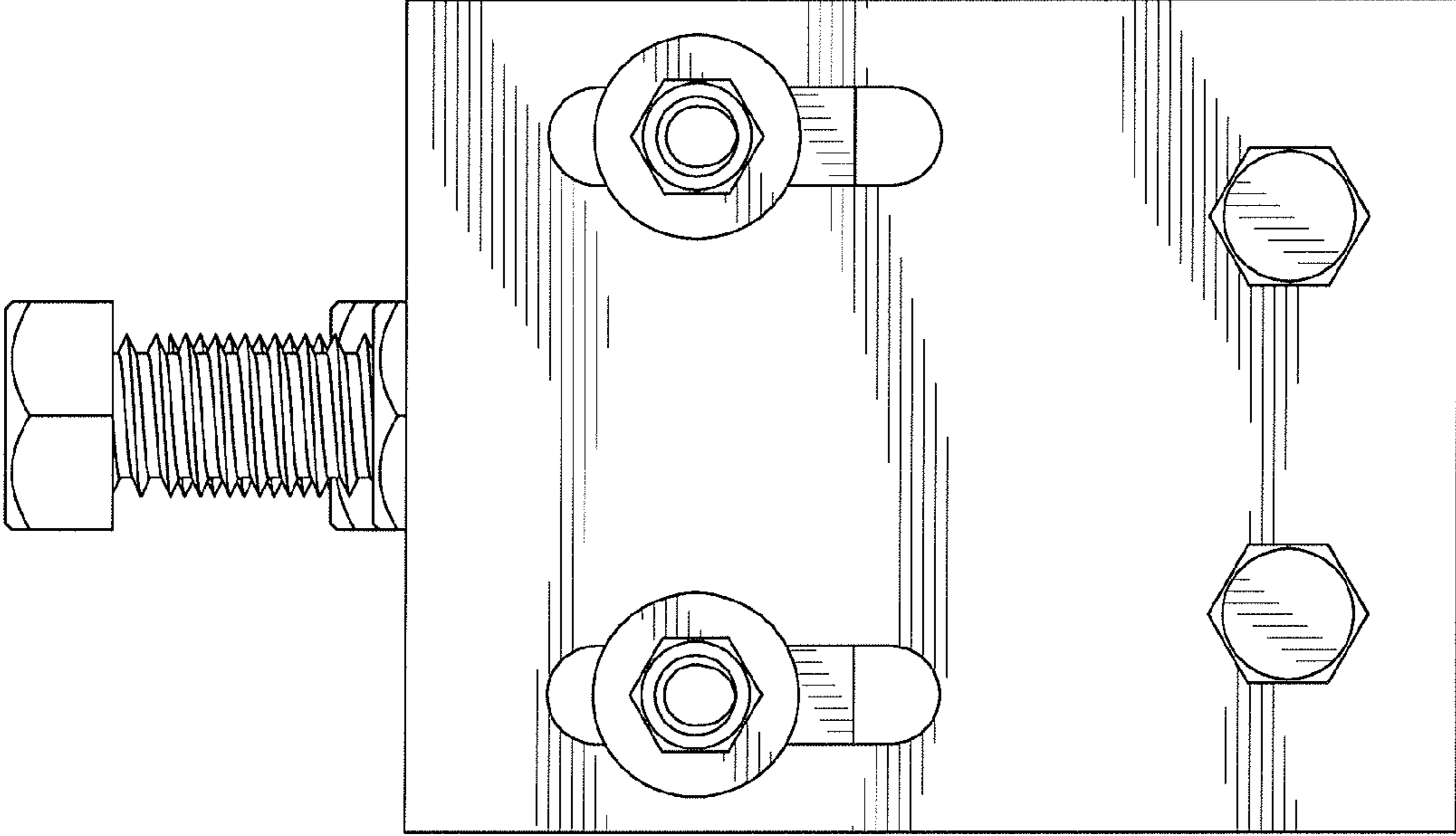


FIG. 7

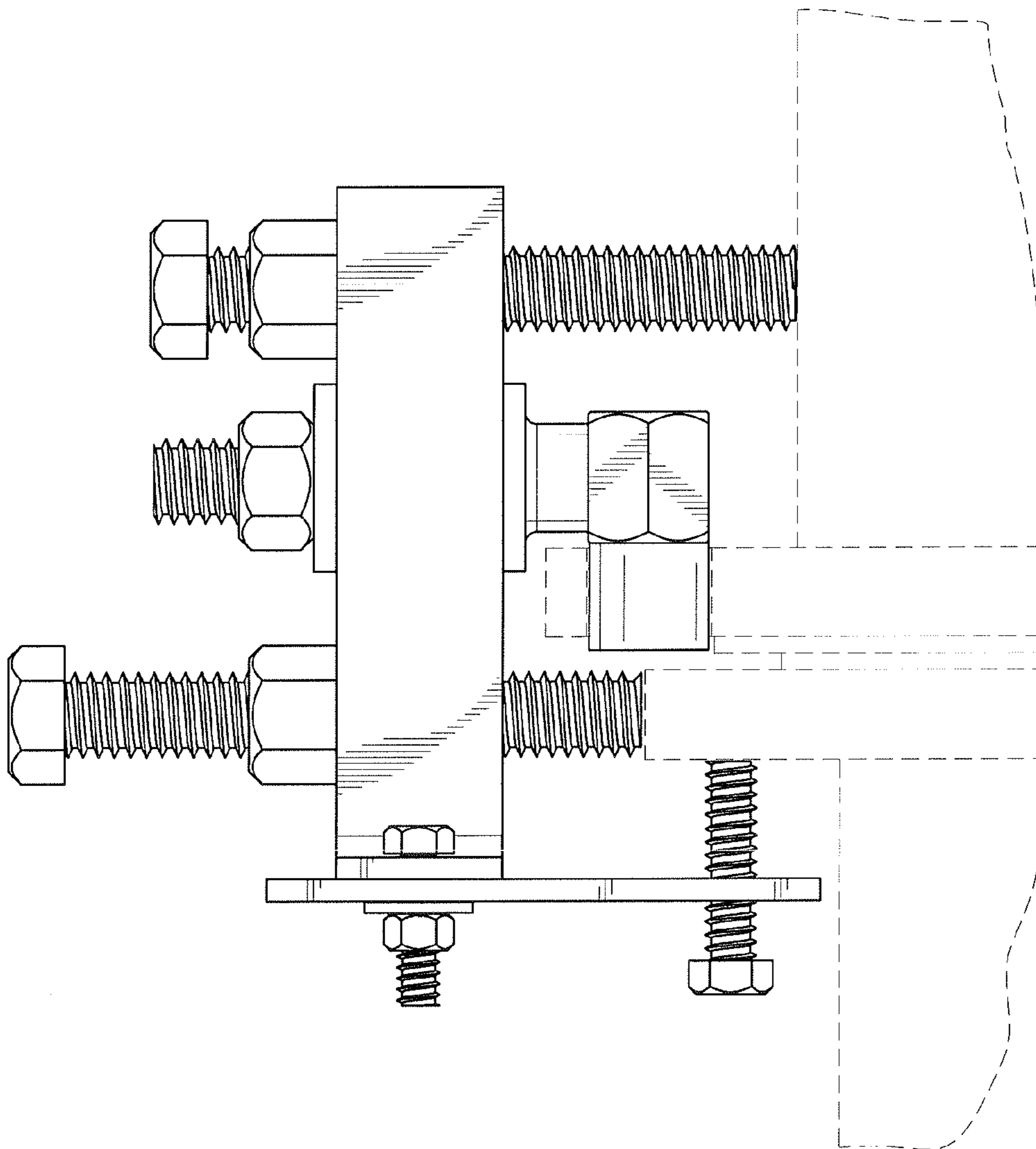


FIG. 8