



US00D740918S

(12) **United States Design Patent**  
**Morodomi**

(10) **Patent No.:** **US D740,918 S**

(45) **Date of Patent:** **\*\* Oct. 13, 2015**

(54) **ELECTROMAGNETIC VALVE**

(71) Applicant: **Yoichi Morodomi**, Tsukubamirai (JP)

(72) Inventor: **Yoichi Morodomi**, Tsukubamirai (JP)

(73) Assignee: **SMC Corporation**, Chiyoda-ku, Tokyo (JP)

(\*\*) Term: **14 Years**

(21) Appl. No.: **29/500,301**

(22) Filed: **Aug. 24, 2014**

(30) **Foreign Application Priority Data**

Apr. 25, 2014 (JP) ..... 2014-009216

(51) **LOC (10) Cl.** ..... **23-01**

(52) **U.S. Cl.**  
USPC ..... **D23/233**

(58) **Field of Classification Search**  
USPC ..... D23/233-250; 137/625.64, 554, 487.5,  
137/599; 251/129.15, 129.01, 129.09  
CPC ... F16K 31/0675; F16K 31/06; F16K 27/029;  
F16K 31/02; F16K 31/082; F16K 27/048  
See application file for complete search history.

(56) **References Cited**

**U.S. PATENT DOCUMENTS**

D416,309 S *	11/1999	Hayashi et al.	.....	D23/233
D544,575 S *	6/2007	Matsumoto et al.	.....	D23/233
D544,576 S *	6/2007	Matsumoto et al.	.....	D23/233
D544,577 S *	6/2007	Matsumoto et al.	.....	D23/233
D544,578 S *	6/2007	Matsumoto et al.	.....	D23/233
D544,579 S *	6/2007	Matsumoto et al.	.....	D23/233
D544,580 S *	6/2007	Matsumoto et al.	.....	D23/233
D544,581 S *	6/2007	Matsumoto et al.	.....	D23/233
D563,506 S *	3/2008	Kato et al.	.....	D23/233
D563,507 S *	3/2008	Kato et al.	.....	D23/233
D563,508 S *	3/2008	Yoshimura et al.	.....	D23/233
D563,509 S *	3/2008	Kato	.....	D23/233
D563,515 S *	3/2008	Yoshimura et al.	.....	D23/233

D563,516 S *	3/2008	Mita et al.	.....	D23/233
D563,517 S *	3/2008	Miyazoe et al.	.....	D23/233
D563,518 S *	3/2008	Miyazoe et al.	.....	D23/233
D563,519 S *	3/2008	Miyazoe et al.	.....	D23/233
D563,520 S *	3/2008	Miyazoe et al.	.....	D23/233
D563,522 S *	3/2008	Miyazoe et al.	.....	D23/233
D563,523 S *	3/2008	Matsumoto et al.	.....	D23/233
D564,072 S *	3/2008	Yoshimura et al.	.....	D23/233
D564,627 S *	3/2008	Miyazoe et al.	.....	D23/233
D564,628 S *	3/2008	Miyazoe et al.	.....	D23/233

(Continued)

**OTHER PUBLICATIONS**

Orbit Website Search, May 21, 2015, 1/1 Designs-Questel Electro-magnetic Valve, shown in p. 1.\*

*Primary Examiner* — Daniel Bui

*Assistant Examiner* — Gino Colan

(74) *Attorney, Agent, or Firm* — Yokoi & Co., U.S.A.; Toshiyuki Yokoi

(57) **CLAIM**

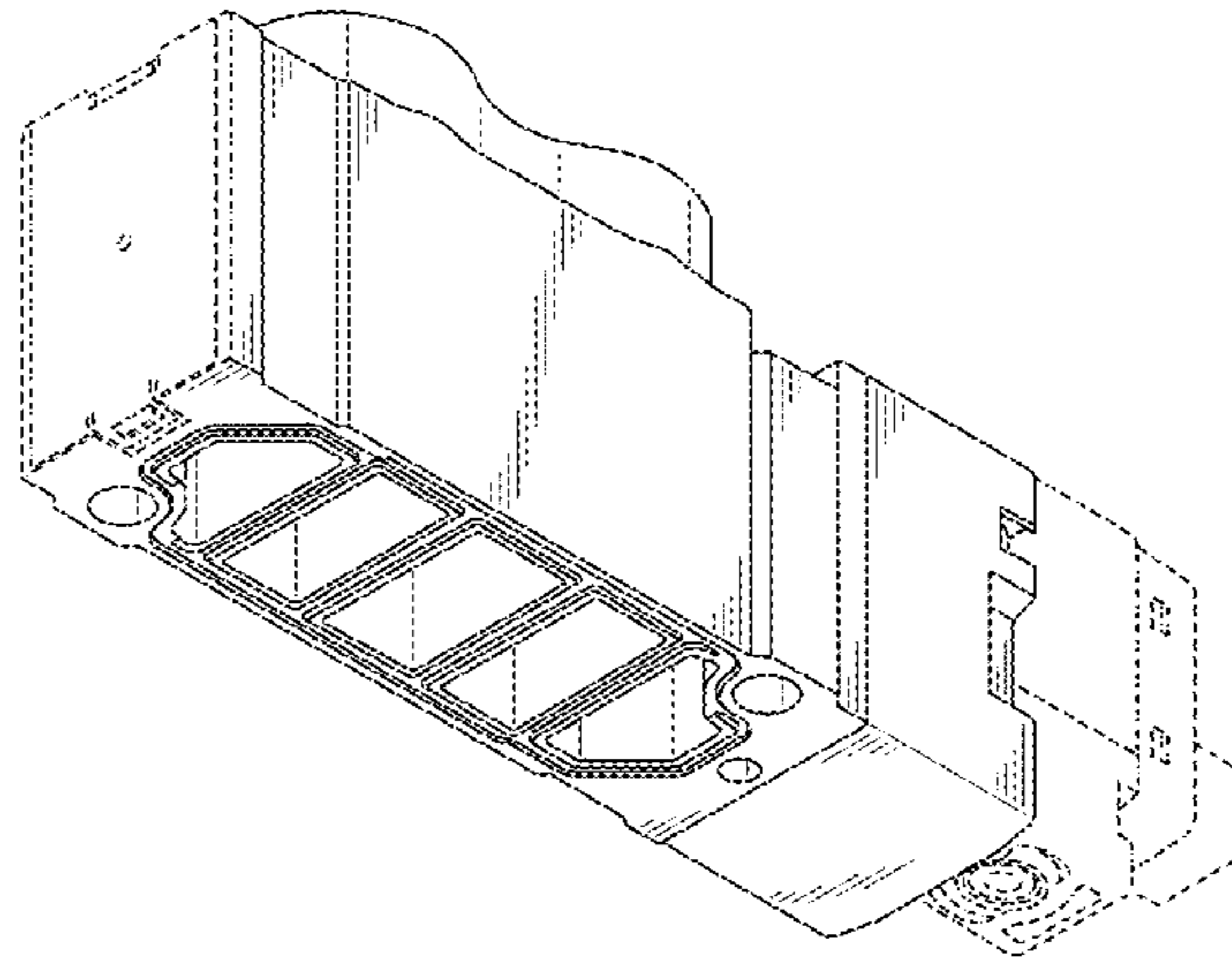
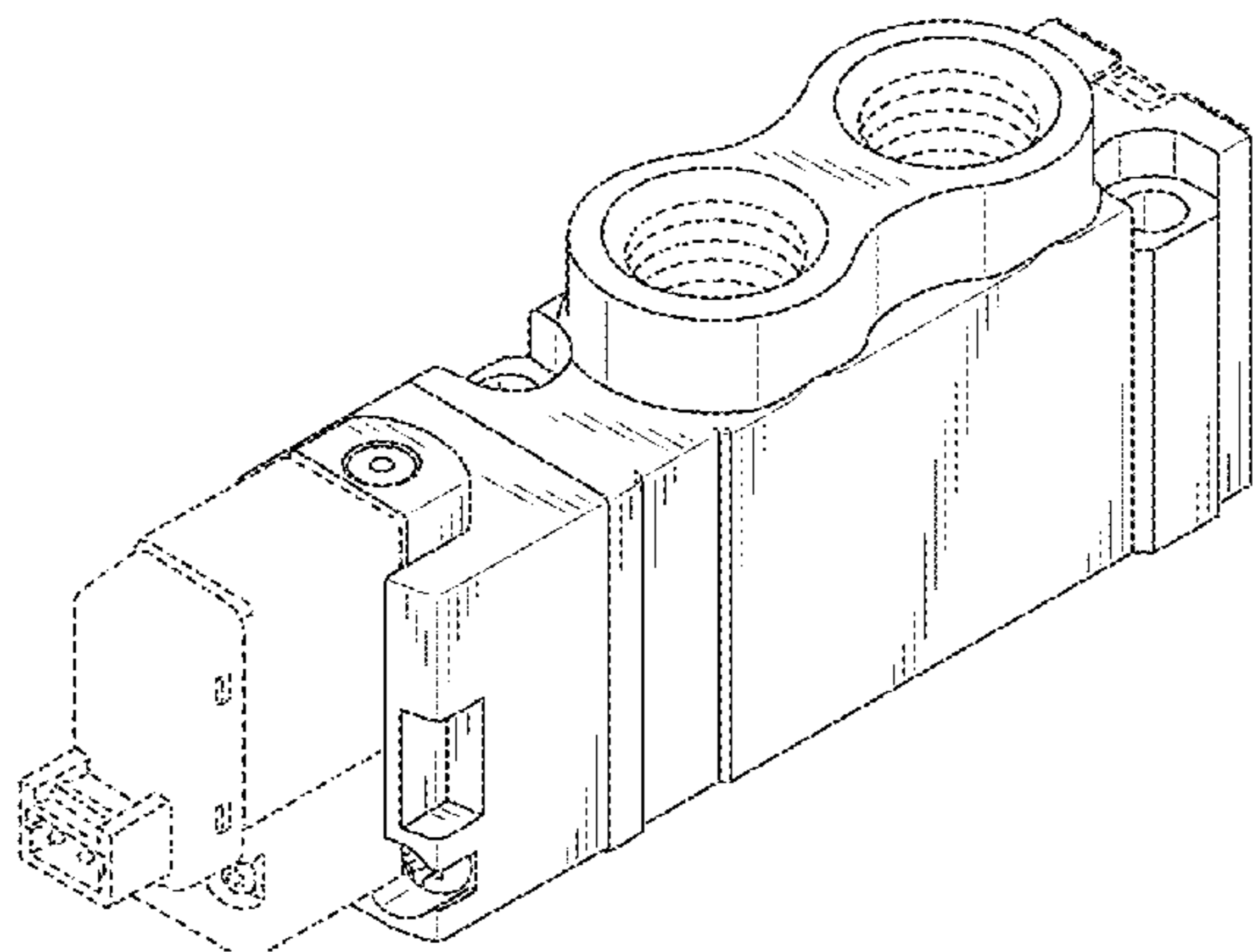
The ornamental design for an electromagnetic valve, as shown and described.

**DESCRIPTION**

FIG. 1 shows a front view of an electromagnetic valve showing my new design;  
FIG. 2 shows a rear view thereof;  
FIG. 3 shows a right side view thereof;  
FIG. 4 shows a left side view thereof;  
FIG. 5 shows a top view thereof;  
FIG. 6 shows a bottom view thereof;  
FIG. 7 shows a top, front and left side perspective view thereof; and,  
FIG. 8 shows a bottom, rear and right side perspective view thereof.

The portions of the design shown in broken lines in FIGS. 1-8 are for the purpose of illustrating the environment only and form no part of the claimed design.

**1 Claim, 4 Drawing Sheets**



(56)

**References Cited**

U.S. PATENT DOCUMENTS

D564,629 S \* 3/2008 Miyazoe et al. .... D23/233  
D564,630 S \* 3/2008 Miyazoe et al. .... D23/233  
D564,631 S \* 3/2008 Miyazoe et al. .... D23/233  
D599,887 S \* 9/2009 Matsumoto ..... D23/233  
D599,888 S \* 9/2009 Matsumoto ..... D23/233  
D599,889 S \* 9/2009 Oshima et al. .... D23/233

D715,899 S \* 10/2014 Fukano et al. .... D23/233  
D720,043 S \* 12/2014 Nishiyama et al. .... D23/233  
D720,044 S \* 12/2014 Enzaki ..... D23/233  
D720,046 S \* 12/2014 Morodomi et al. .... D23/233  
D720,047 S \* 12/2014 Morodomi et al. .... D23/233  
D725,231 S \* 3/2015 Doi et al. .... D23/233  
D725,232 S \* 3/2015 Doi et al. .... D23/233  
D726,882 S \* 4/2015 Maeda et al. .... D23/249

\* cited by examiner

FIG. 1

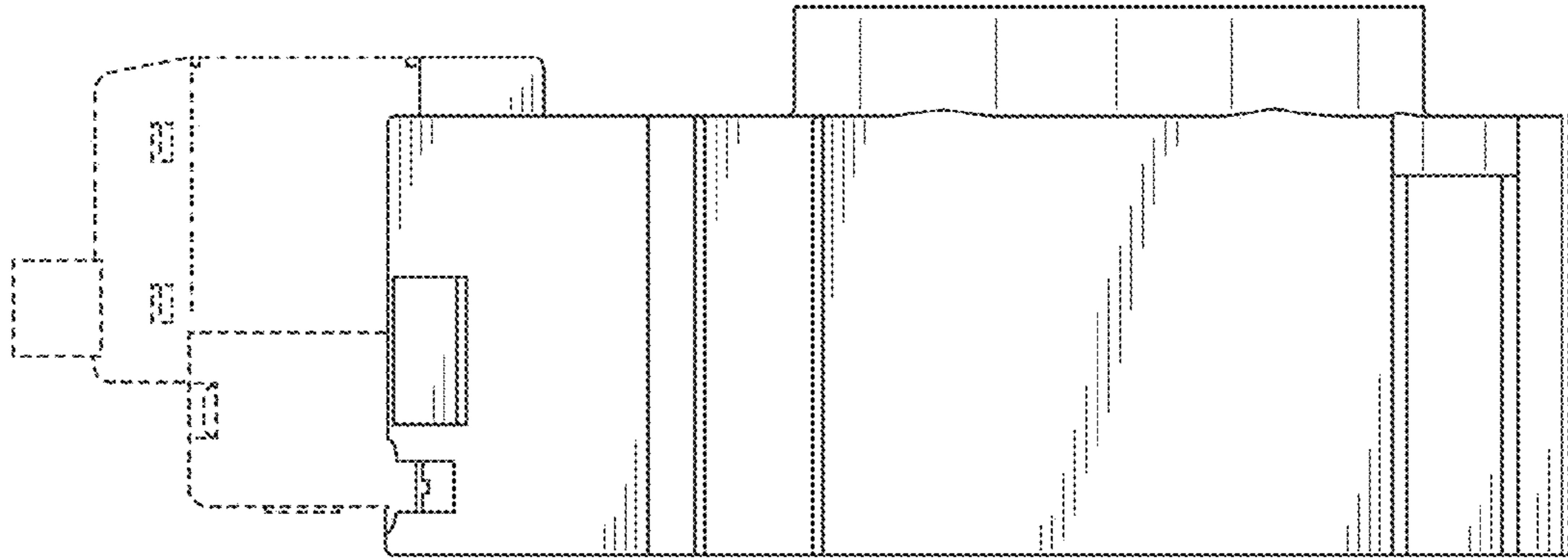


FIG. 2

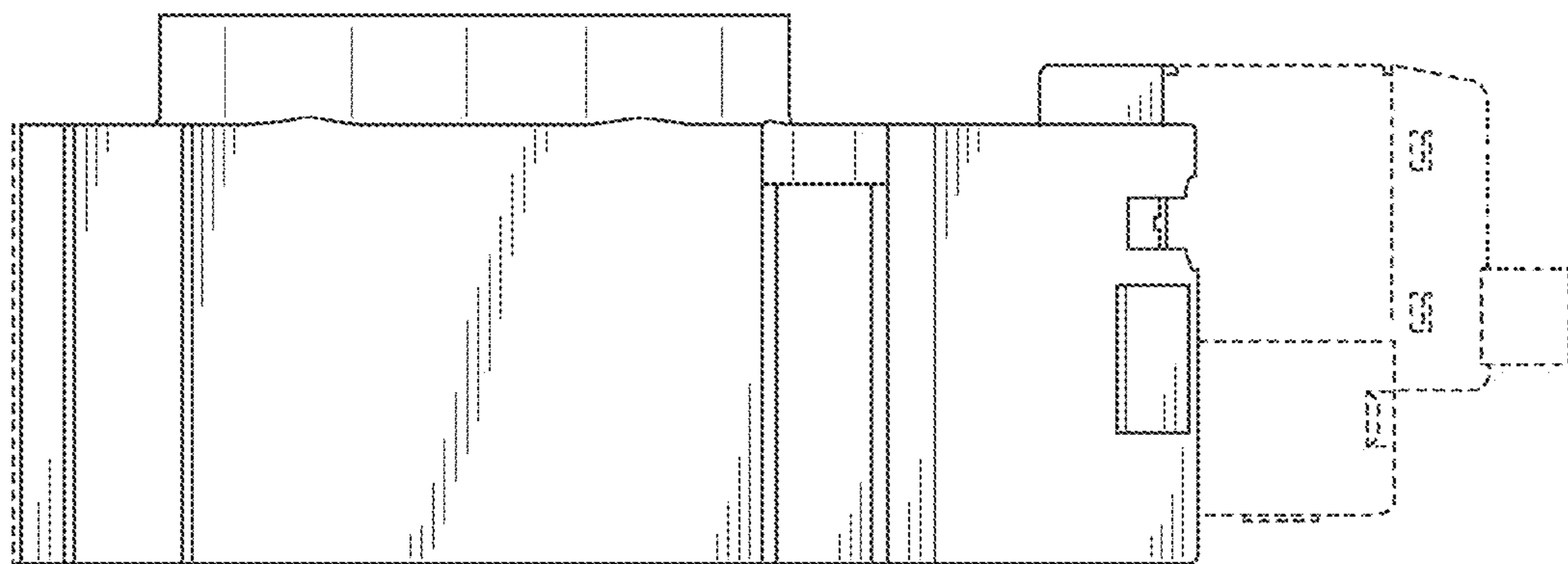


FIG. 3

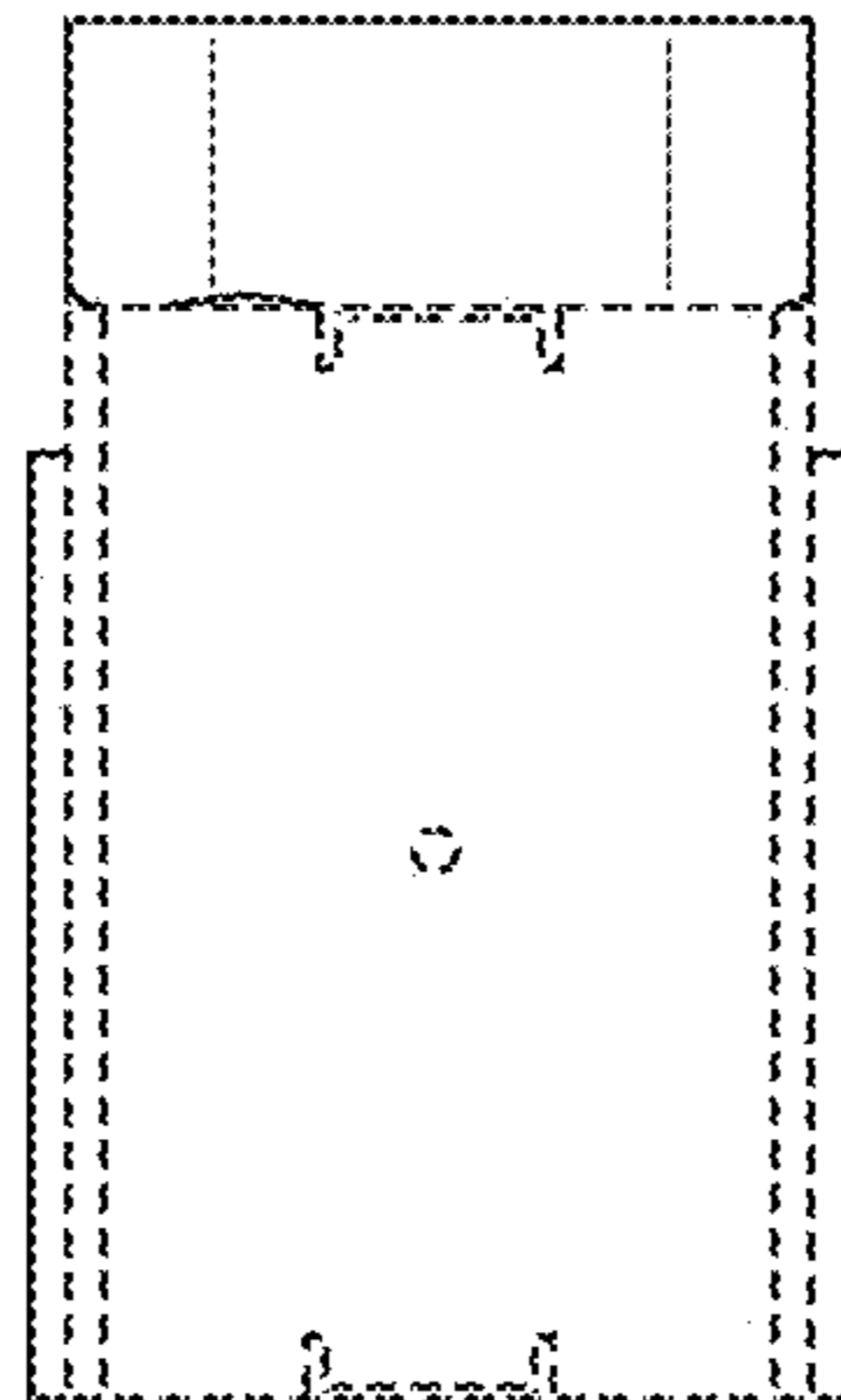


FIG. 4

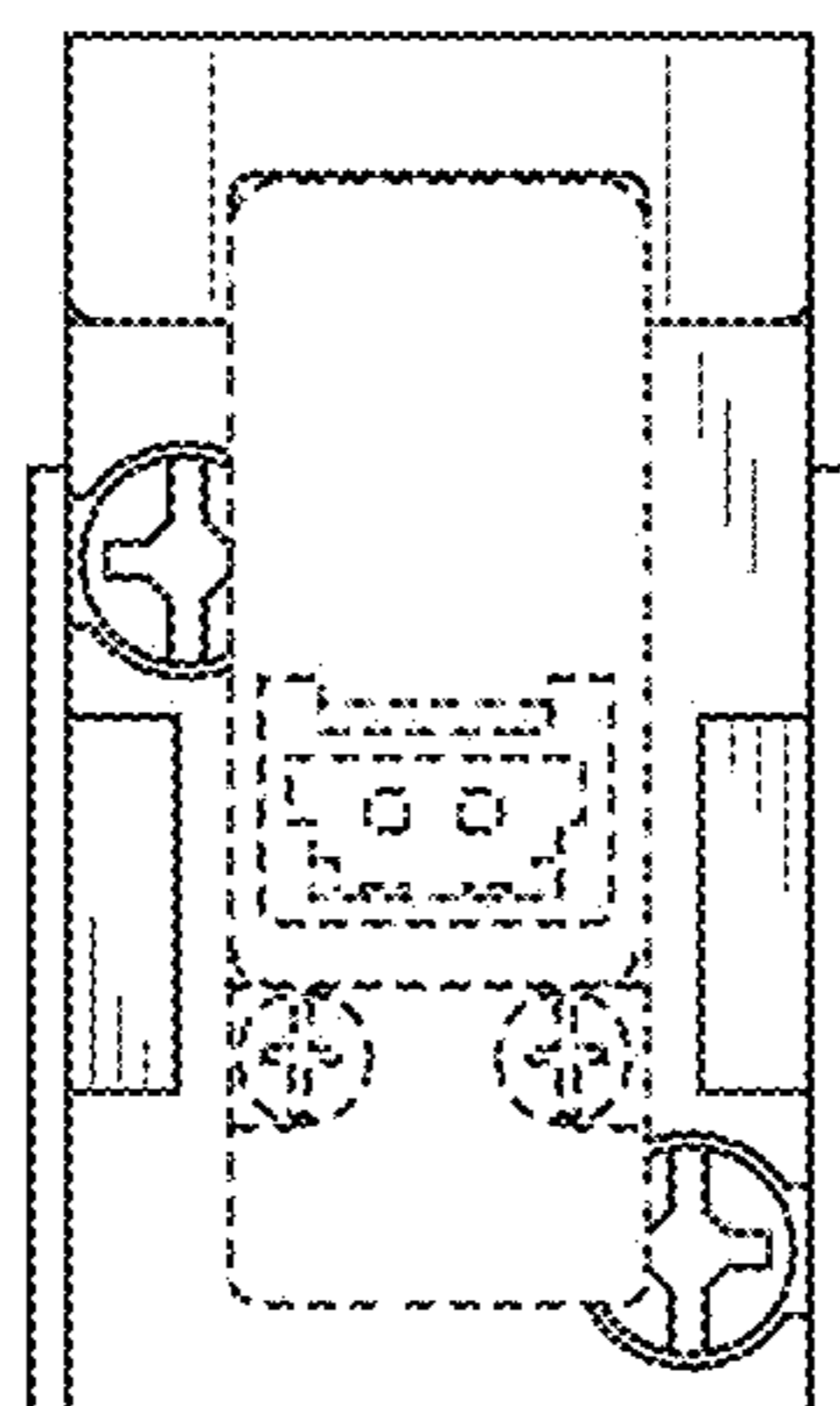


FIG. 5

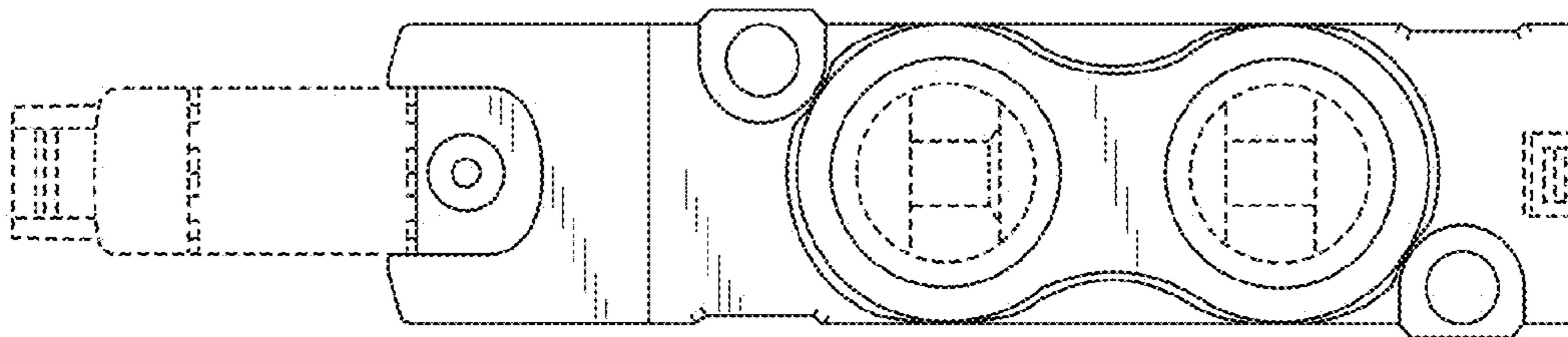


FIG. 6

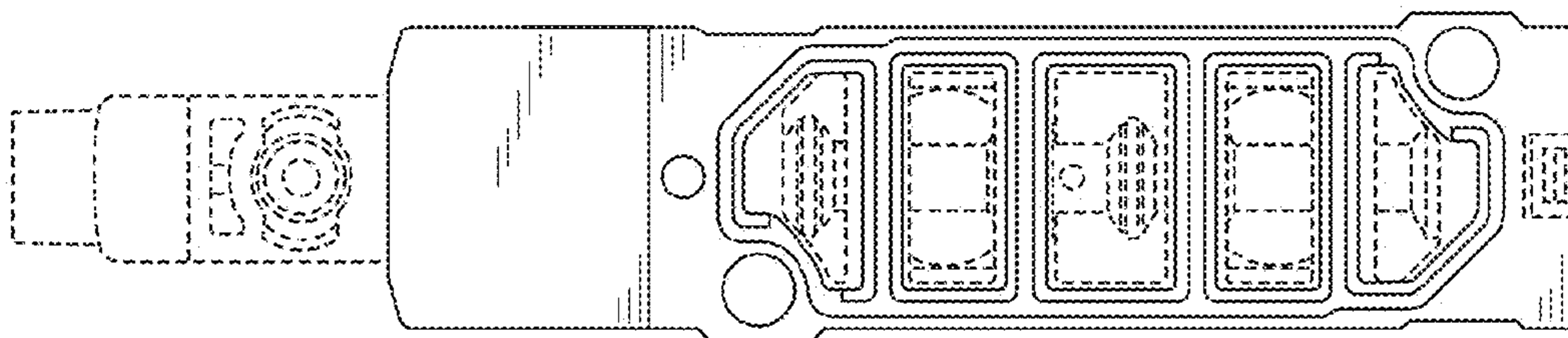


FIG. 7

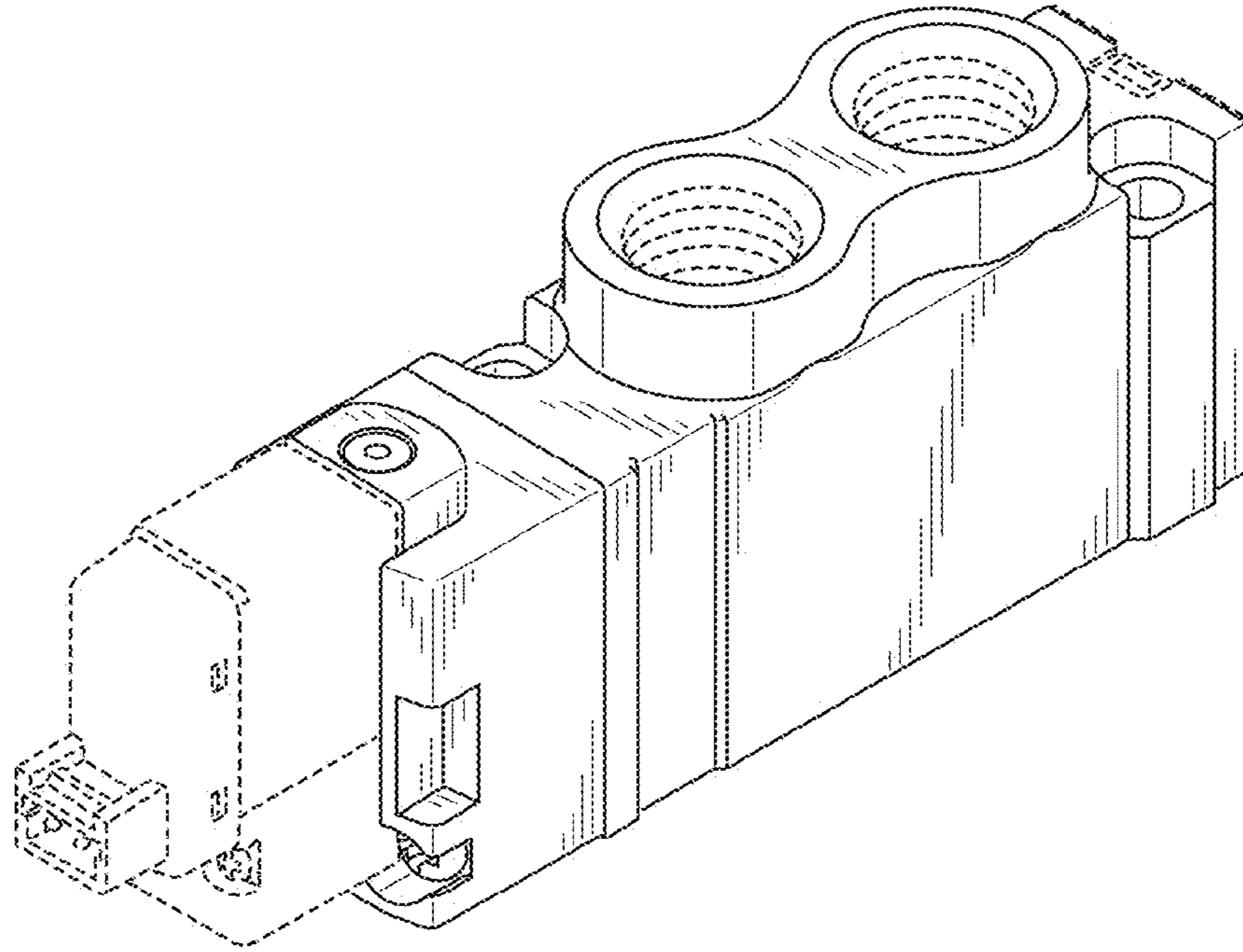


FIG. 8

