



US00D740917S

(12) **United States Design Patent**
Hanna et al.

(10) **Patent No.:** **US D740,917 S**
(45) **Date of Patent:** **** Oct. 13, 2015**

(54) **SHOWER FACEPLATE FOR SHOWER DEVICE**

3,944,140 A 3/1976 Caton et al.
3,963,179 A 6/1976 Tomaro
4,272,022 A 6/1981 Evans

(71) Applicant: **Kohler Co.**, Kohler, WI (US)

(Continued)

(72) Inventors: **Kenneth Scott Hanna**, Bellingham, WA (US); **Gregory De Swarte**, Sheboygan, WI (US); **Leila Michelle Rubin**, New York, NY (US); **Eugenio Duarte**, Sheboygan Falls, WI (US)

FOREIGN PATENT DOCUMENTS

CN 1761528 A 4/2006
CN 202045027 U 11/2011

(Continued)

(73) Assignee: **Kohler Co.**, Kohler, WI (US)

OTHER PUBLICATIONS

(**) Term: **14 Years**

European Patent Office Search Report for Application No. 13193218.8 dated Apr. 17, 2014 (7 pages).

(Continued)

(21) Appl. No.: **29/467,020**

(22) Filed: **Sep. 13, 2013**

Primary Examiner — Robin V Webster

(74) *Attorney, Agent, or Firm* — Michael Best & Friedrich LLP

Related U.S. Application Data

(63) Continuation-in-part of application No. 29/450,323, filed on Mar. 16, 2013, now Pat. No. Des. 715,398.

(51) **LOC (10) Cl.** **23-01**

(52) **U.S. Cl.**
USPC **D23/213**

(58) **Field of Classification Search**
USPC D23/213, 223, 226, 229, 230; 239/461, 239/462, 282, 283
CPC B05B 1/18; B05B 1/00
See application file for complete search history.

(57) **CLAIM**

We claim the ornamental design for a shower faceplate for shower device, as shown and described.

DESCRIPTION

FIG. 1 is a front perspective view of a faceplate for a shower device, such as a showerhead or a hand shower.

FIG. 2 is a rear perspective view of the faceplate shown in FIG. 1.

FIG. 3 is a front view of the faceplate shown in FIG. 1.

FIG. 4 is a rear view of the faceplate shown in FIG. 1.

FIG. 5 is a right side view of the faceplate shown in FIG. 1, the left side view being substantially a mirror image thereof.

FIG. 6 is a top view of the faceplate shown in FIG. 1.

FIG. 7 is a bottom view of the faceplate shown in FIG. 1; and,

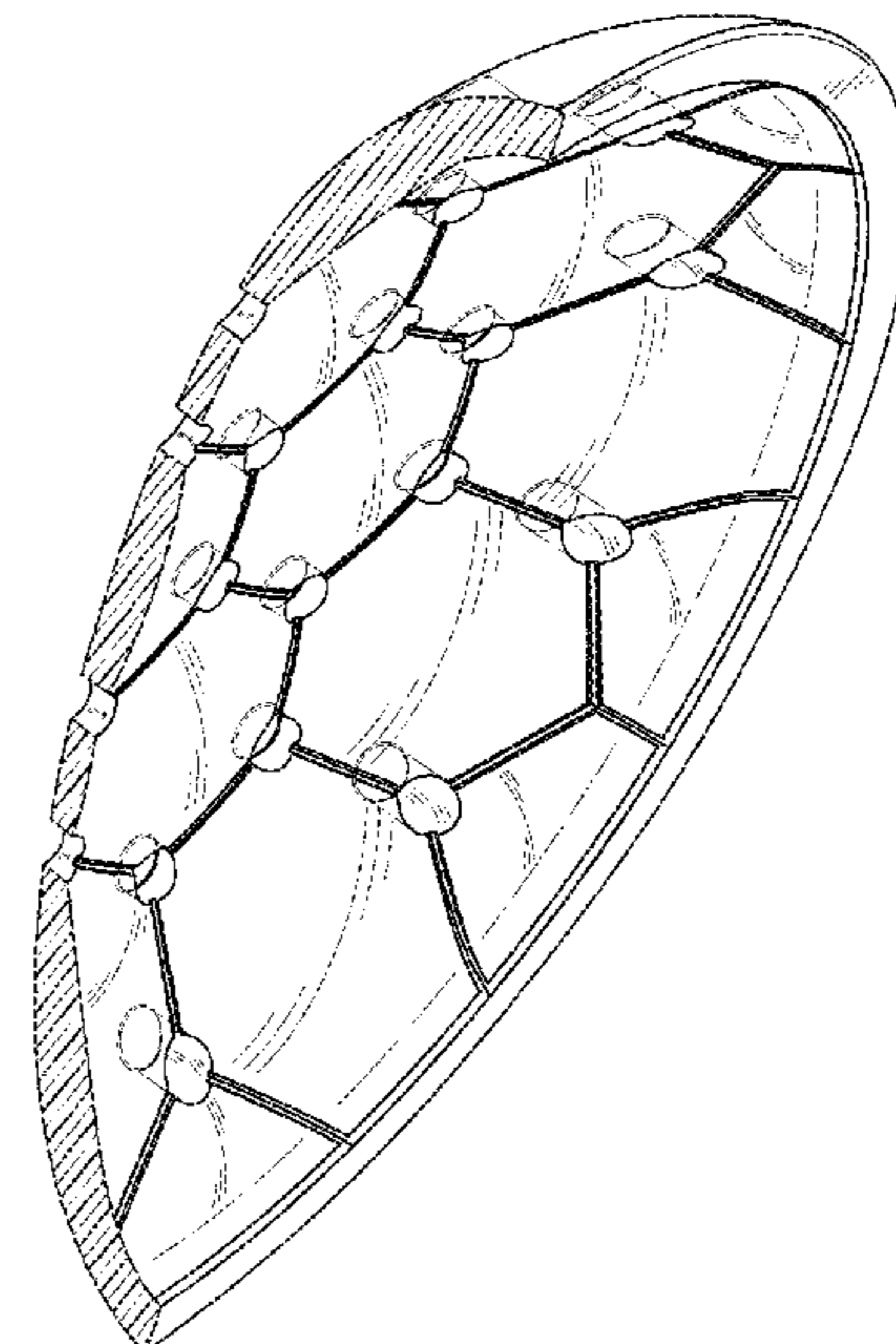
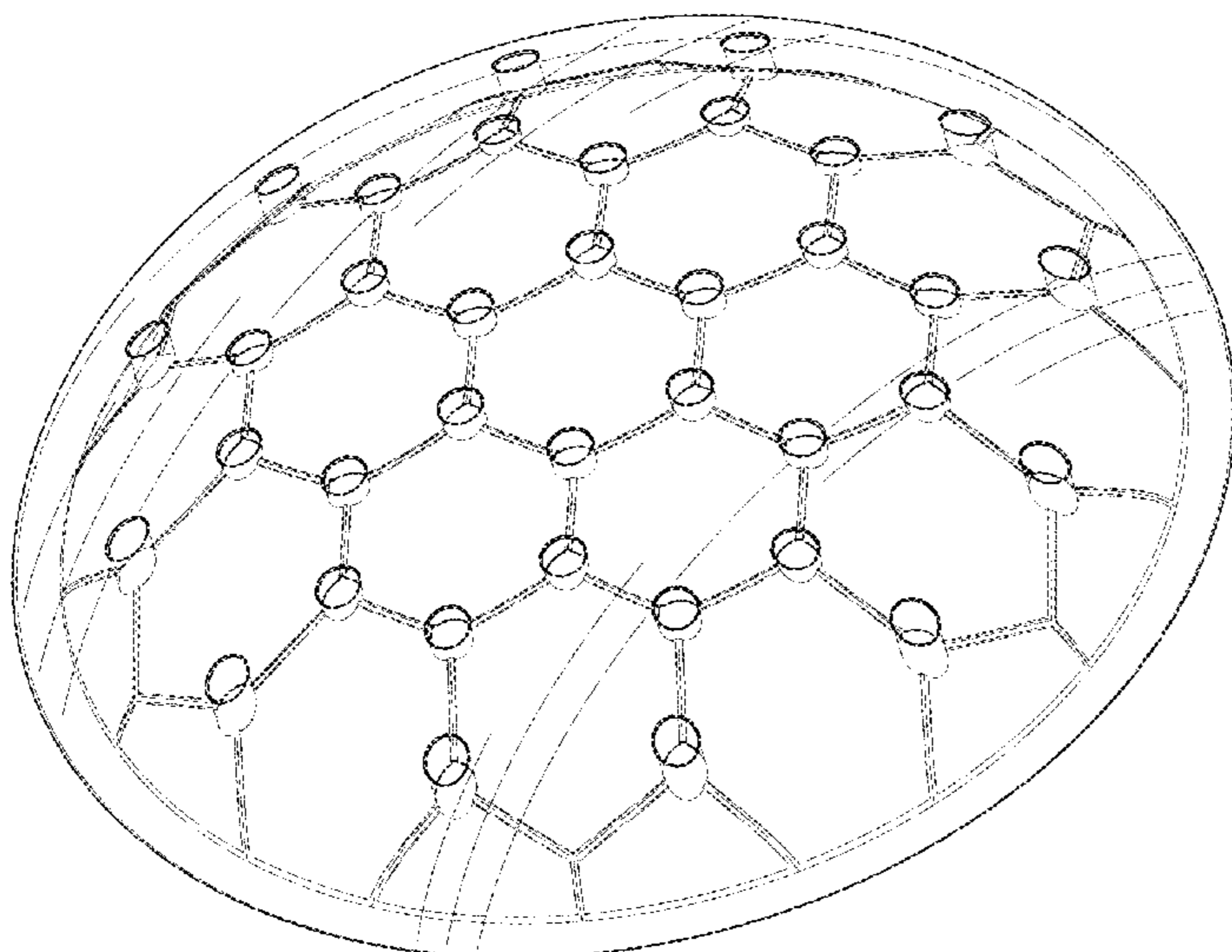
FIG. 8 is a rear perspective cross-sectional view of the faceplate shown in FIG. 1 to illustrate contours of the faceplate.

(56) **References Cited**

U.S. PATENT DOCUMENTS

3,088,675 A 5/1963 Bone
3,608,650 A 9/1971 Matsusaka

1 Claim, 7 Drawing Sheets



(56)

References Cited

U.S. PATENT DOCUMENTS

D267,581 S 1/1983 Mackay et al.
 4,545,083 A 10/1985 Searson
 4,561,593 A 12/1985 Cammack et al.
 4,618,100 A 10/1986 White et al.
 4,733,818 A 3/1988 Agnides
 4,733,819 A 3/1988 Agnides
 4,964,181 A 10/1990 Alpert
 4,998,673 A 3/1991 Pilolla
 5,215,258 A 6/1993 Jursich
 5,329,650 A 7/1994 Zaccai et al.
 5,405,089 A 4/1995 Heimann et al.
 5,518,181 A 5/1996 Shames et al.
 5,535,779 A 7/1996 Huang
 5,664,015 A 9/1997 Ford et al.
 5,730,362 A 3/1998 Cordes
 5,779,146 A 7/1998 Cutler
 5,862,985 A 1/1999 Neibrook et al.
 6,021,960 A 2/2000 Kehat
 D423,083 S 4/2000 Haug et al.
 D424,160 S 5/2000 Haug et al.
 D424,161 S 5/2000 Haug et al.
 D424,162 S 5/2000 Haug et al.
 D424,163 S 5/2000 Haug et al.
 D424,164 S 5/2000 Haug et al.
 6,061,457 A 5/2000 Stockhamer
 D428,110 S 7/2000 Haug et al.
 6,090,210 A 7/2000 Ballance et al.
 6,126,290 A 10/2000 Veigel
 D439,305 S 3/2001 Slothower
 D440,277 S 4/2001 Slothower
 D440,278 S 4/2001 Slothower
 D443,027 S 5/2001 Kollmann et al.
 D443,029 S 5/2001 Kollmann et al.
 6,263,524 B1 7/2001 Abdul
 D457,598 S 5/2002 Storti et al.
 6,439,472 B1 8/2002 Lin et al.
 6,444,039 B1 9/2002 Nguyen
 6,463,658 B1 10/2002 Larsson
 D465,263 S 11/2002 Tse
 D465,551 S 11/2002 Tse
 D466,188 S 11/2002 Tse
 D489,793 S 5/2004 Haug et al.
 D492,004 S 6/2004 Haug et al.
 D492,006 S 6/2004 Haug et al.
 D492,008 S 6/2004 Haug et al.
 D495,776 S 9/2004 Blomstrom
 D497,974 S 11/2004 Haug et al.
 D498,514 S 11/2004 Haug et al.
 6,879,818 B2 4/2005 Wageneck
 D506,924 S 7/2005 Berner
 D509,424 S 9/2005 Berner
 D511,809 S 11/2005 Haug et al.
 D513,525 S 1/2006 Haug et al.
 6,983,898 B2 1/2006 Clark
 7,048,210 B2 5/2006 Clark
 7,100,845 B1 9/2006 Hsieh
 7,111,798 B2 9/2006 Thomas et al.
 7,178,746 B2 2/2007 Gross
 D551,737 S 9/2007 Haug et al.
 7,269,862 B2 9/2007 Rooke et al.
 D557,763 S 12/2007 Schönherr et al.
 D557,764 S 12/2007 Schönherr et al.
 D557,765 S 12/2007 Schönherr et al.
 D562,937 S 2/2008 Schönherr et al.
 D562,938 S 2/2008 Blessing
 D564,067 S 3/2008 Lammel et al.
 D576,251 S 9/2008 Schönherr et al.
 D590,477 S 4/2009 Schoenherr et al.
 D590,916 S 4/2009 Schoenherr et al.
 D590,917 S 4/2009 Schoenherr et al.
 D592,276 S 5/2009 Schoenherr et al.
 7,578,453 B1 8/2009 Wilson
 7,740,186 B2 6/2010 Macan et al.
 7,762,479 B2 7/2010 Li
 D630,706 S 1/2011 Giggs et al.

7,918,408 B2 4/2011 Tshieh
 D638,100 S 5/2011 Juan
 7,946,512 B2 5/2011 Schorn
 8,028,935 B2 10/2011 Leber
 8,048,010 B2 11/2011 Ohashi et al.
 D692,527 S * 10/2013 Hanna et al. D23/213
 D707,329 S 6/2014 Hanna et al.
 2003/0029936 A1 2/2003 Clark
 2004/0164184 A1 8/2004 Glunk
 2004/0217209 A1 11/2004 Bui
 2004/0250851 A1 12/2004 Clark
 2004/0251323 A1 12/2004 Clark
 2004/0252422 A1 12/2004 Talbot et al.
 2005/0156062 A1 7/2005 Thomas et al.
 2006/0175437 A1 8/2006 Gross
 2007/0246577 A1 10/2007 Leber
 2008/0011880 A1 1/2008 Butzke et al.
 2008/0225517 A1 9/2008 Clark
 2009/0114743 A1 5/2009 Thomas et al.
 2010/0037389 A1 2/2010 Gross
 2010/0065665 A1 3/2010 Whitaker et al.
 2010/0167551 A1 7/2010 DeDontney
 2011/0031331 A1 2/2011 Klicpera
 2011/0073678 A1 3/2011 Qiu et al.
 2011/0139905 A1 6/2011 Chen et al.
 2012/0104114 A1 5/2012 Zhou et al.
 2013/0126646 A1 5/2013 Wu
 2013/0232684 A1 9/2013 Schumacher et al.

FOREIGN PATENT DOCUMENTS

CN 203408809 U 1/2014
 DE 10108248 8/2002
 EP 0348359 12/1989
 EP 0435030 A2 7/1991
 EP 1479445 1/2002
 EP 2638972 9/2013
 GB 2337471 11/1999
 WO 9710841 5/1997

OTHER PUBLICATIONS

United States Patent Office Notice of Allowance for U.S. Appl. No. 29/450,323 dated Jun. 26, 2014 (8 pages).
 United States Patent Office Notice of Allowance for U.S. Appl. No. 29/450,306 dated Jun. 26, 2014 (8 pages).
 United States Patent Office Notice of Allowance for U.S. Appl. No. 29/450,310 dated Jun. 25, 2014 (8 pages).
 VS-3014 Caspian Showerhead, downloaded Jun. 27, 2014 <http://www.speakmancompany.com/products/detail/VS-3014> (1 page).
 Grohe Power & Soul, 2013 (5 pages).
 Shower head photos, known at least as early as Mar. 12, 2012.
 Co-pending U.S. Appl. No. 29/457,990, filed Jun. 14, 2013.
 Co-pending U.S. Appl. No. 29/450,323, filed Mar. 16, 2013.
 Co-pending U.S. Appl. No. 29/450,310, filed Mar. 15, 2013.
 Co-pending U.S. Appl. No. 29/450,306, filed Mar. 15, 2013.
 Co-pending U.S. Appl. No. 13/790,621, filed Mar. 8, 2013.
 EP13158845.1 Extended European Search Report dated May 24, 2013 (7 pages).
 Co-pending U.S. Appl. No. 29/415,587, filed Mar. 12, 2012.
 United States Patent Office Notice of Allowance for U.S. Appl. No. 29/415,587 dated Jun. 7, 2013 (7 pages).
 United States Patent Office Supplemental Notice of Allowance for U.S. Appl. No. 29/457,990 dated Sep. 24, 2013 (7 pages).
 United States Patent Office Notice of Allowance for U.S. Appl. No. 29/470,413 dated Jan. 31, 2014 (16 pages).
 United States Patent Office Notice of Allowance for U.S. Appl. No. 29/465,138 dated Aug. 5, 2014 (8 pages).
 Australian Patent Office Examination Report for Application No. 2013201441 dated Sep. 17, 2014 (5 pages).
 Extended European Search Report for Application No. 13193218.8 dated Aug. 27, 2014 (14 pages).
 Examination Report from the Canadian Intellectual Property Office for Application No. 2,808,941 dated Mar. 11, 2015 (5 pages).
 Office Action from the United States Patent and Trademark Office for U.S. Appl. No. 14/080,432 dated Apr. 30, 2015 (40 pages).

(56)

References Cited

OTHER PUBLICATIONS

1st Office Action from the State Intellectual Property Office of the People's Republic of China for Application No. 201310077786.2 dated Jun. 3, 2015 (7 pages).

Office Action from the United States Patent and Trademark Office for U.S. Appl. No. 13/790,621 dated Jul. 2, 2015 (43 pages).

* cited by examiner

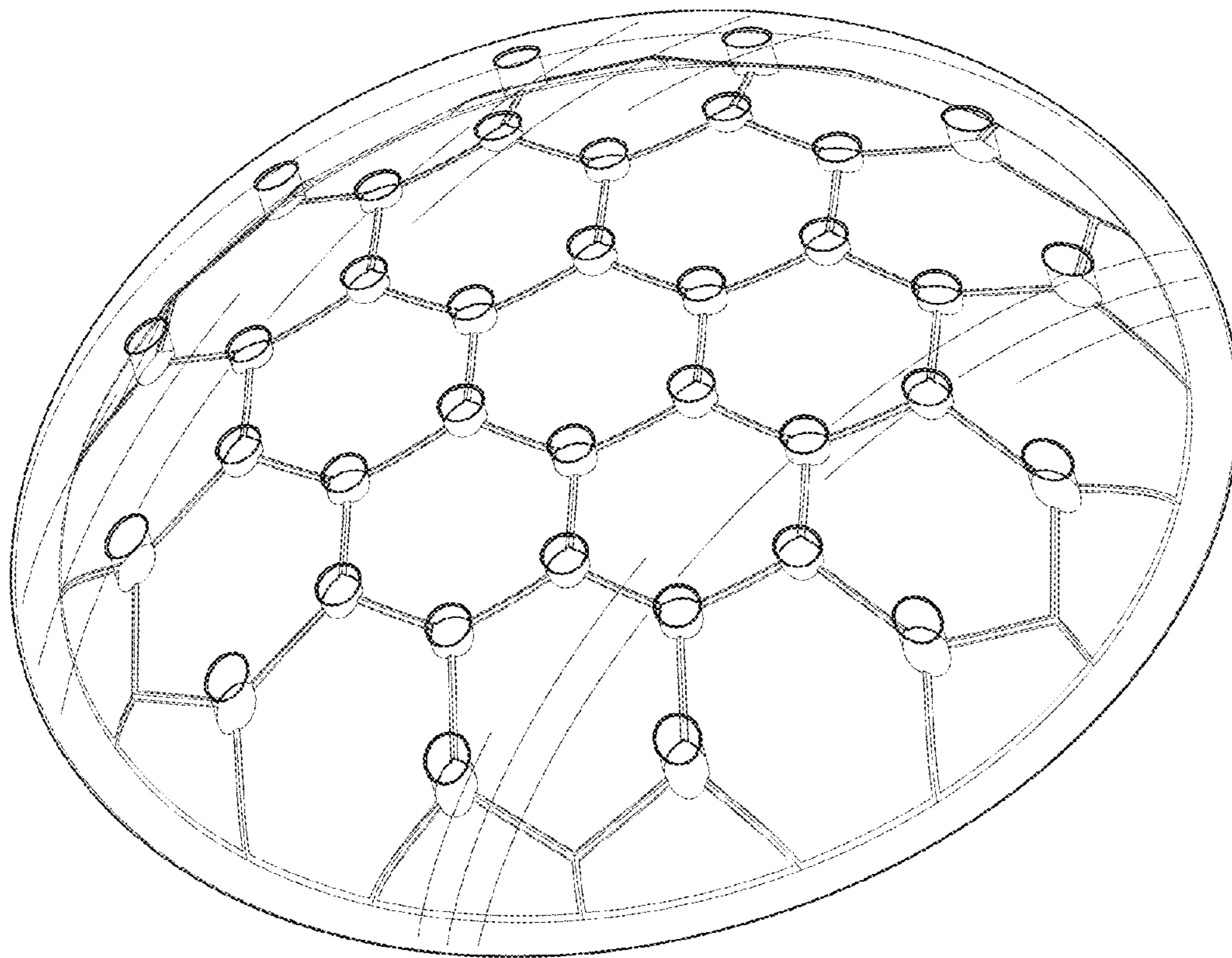


FIG. 1

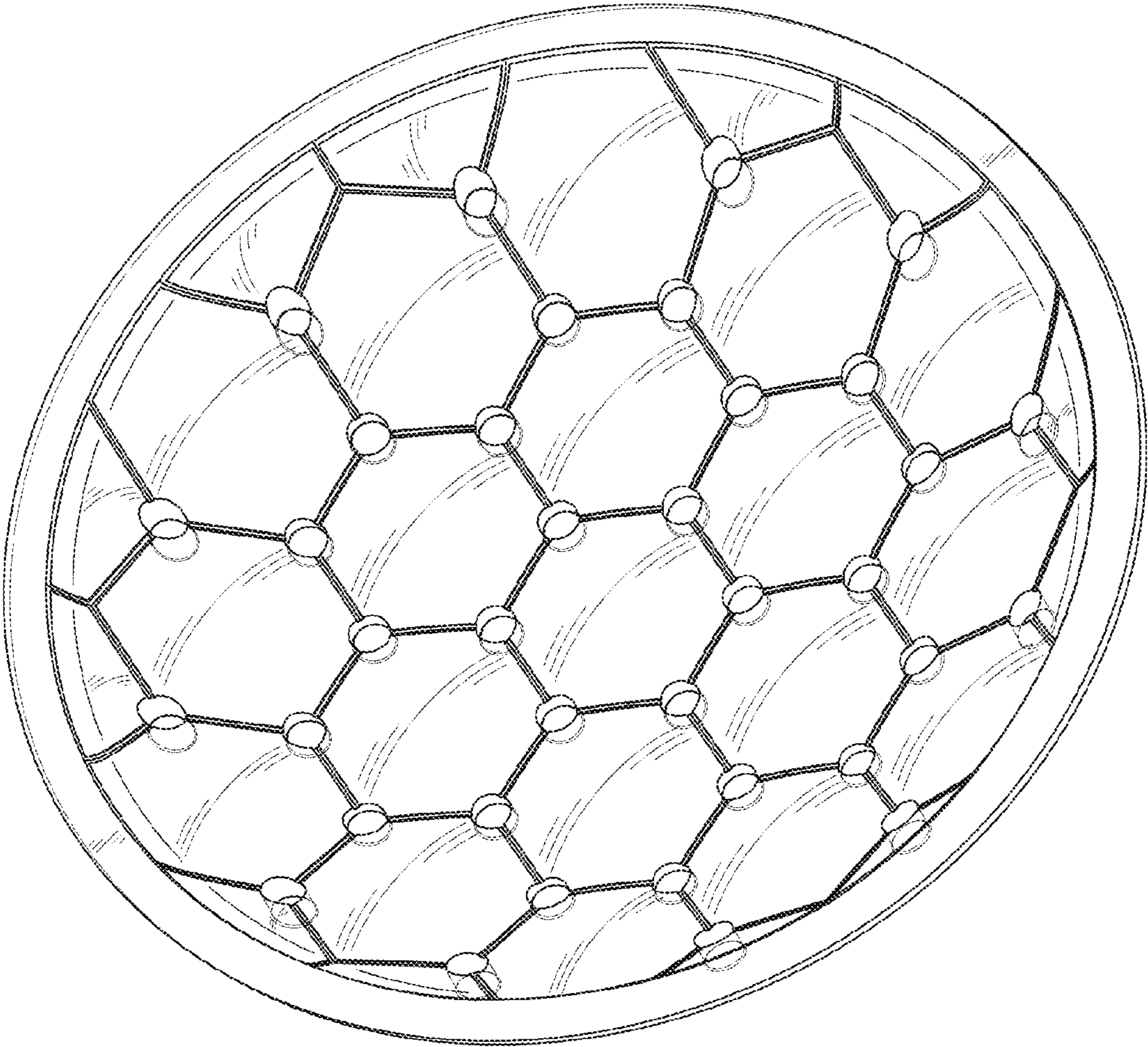


FIG. 2

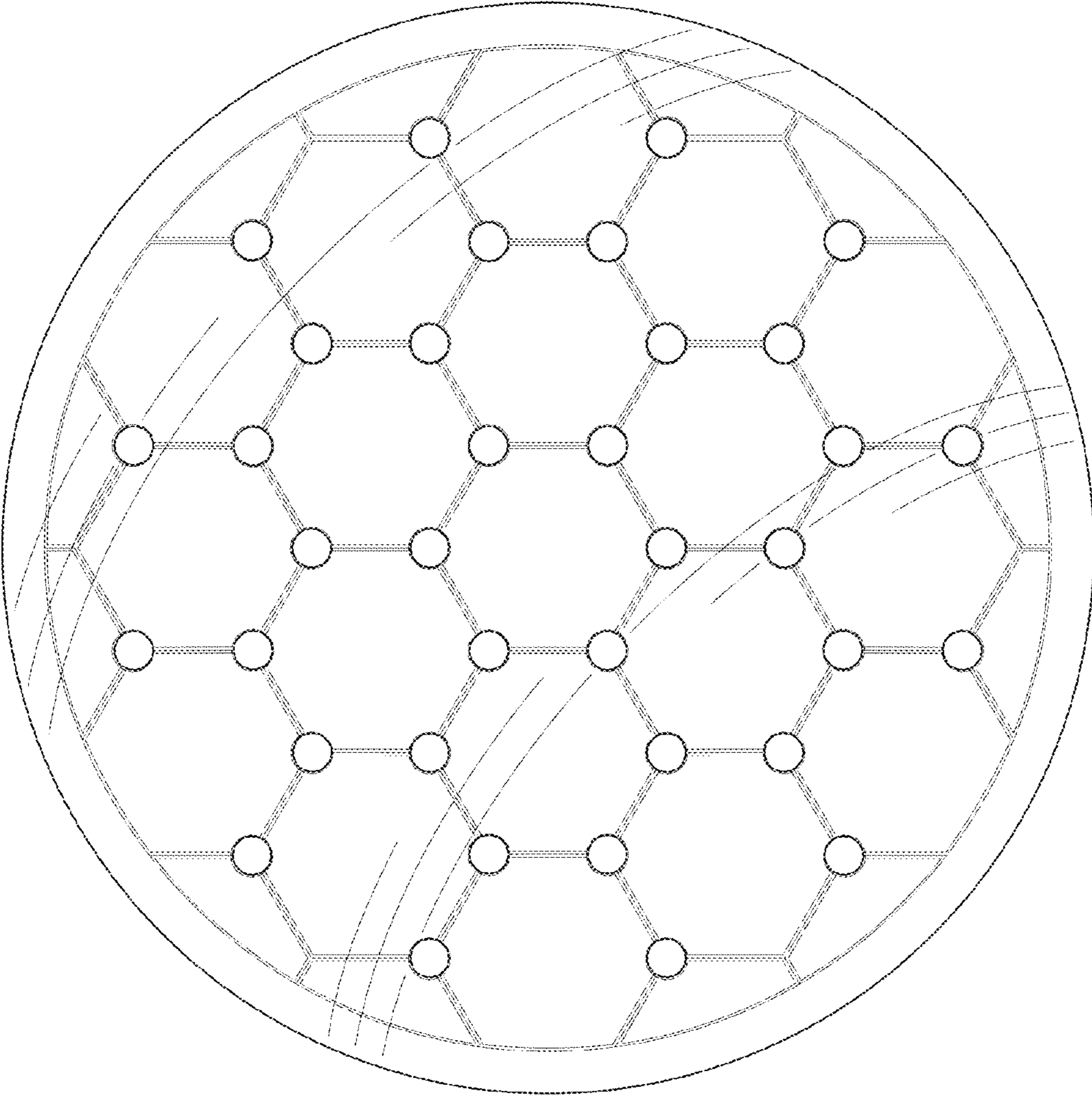


FIG. 3

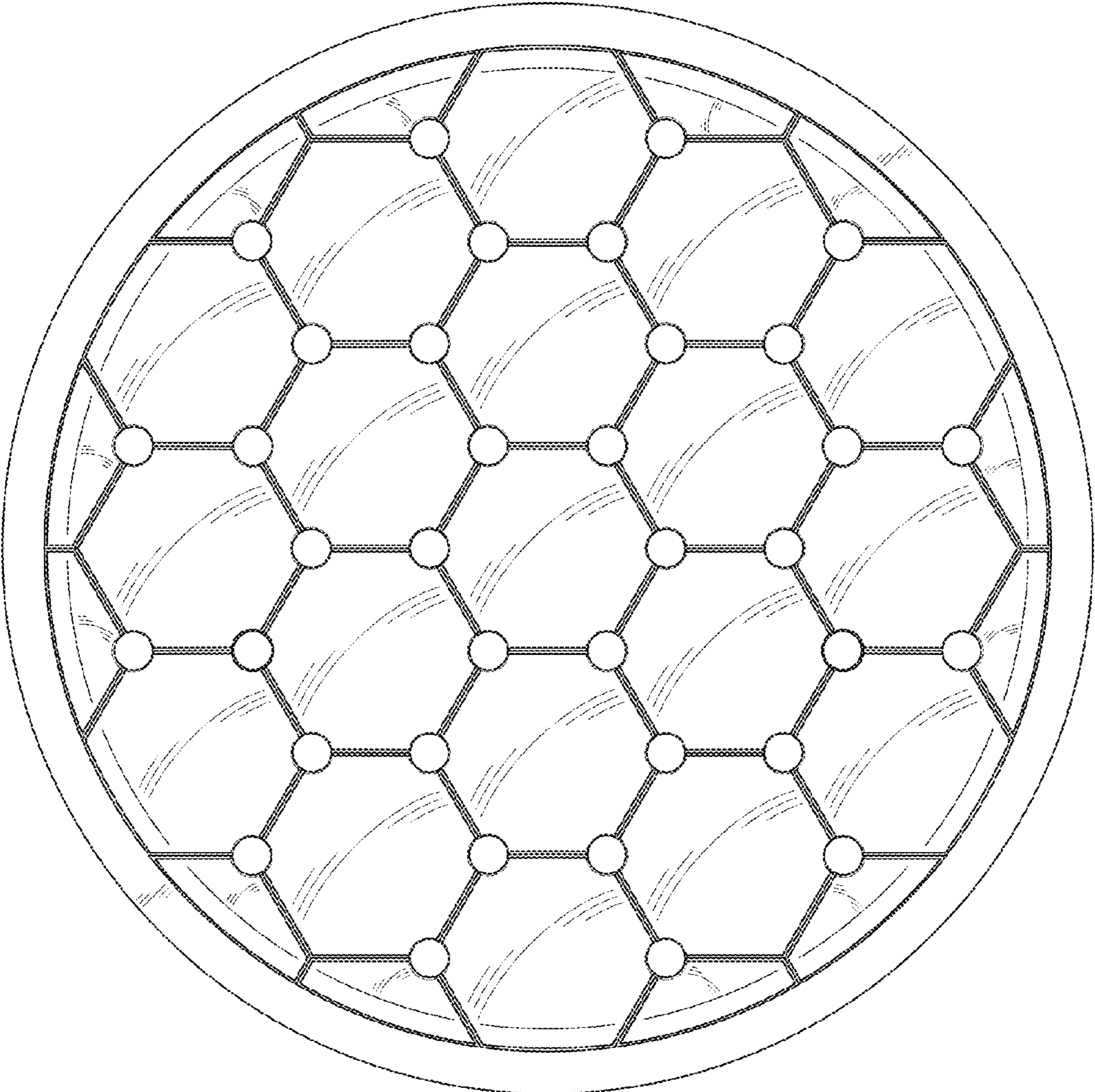


FIG. 4

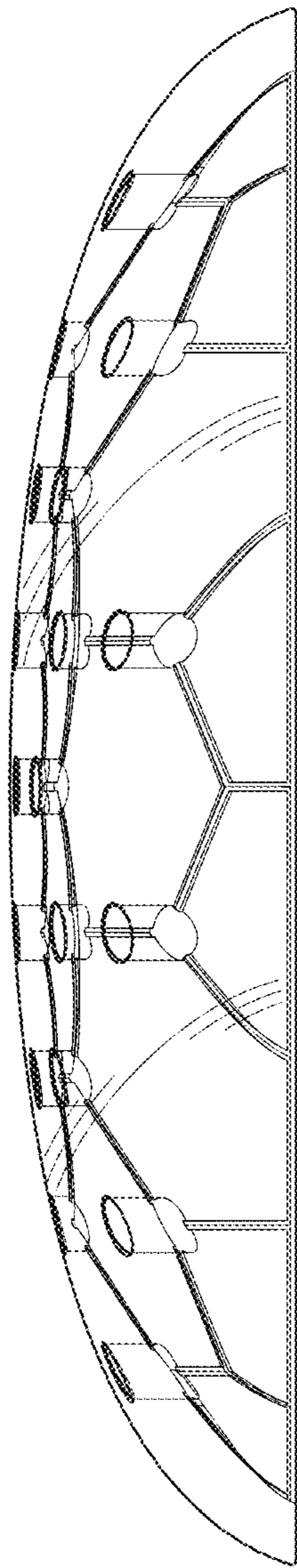


FIG. 5

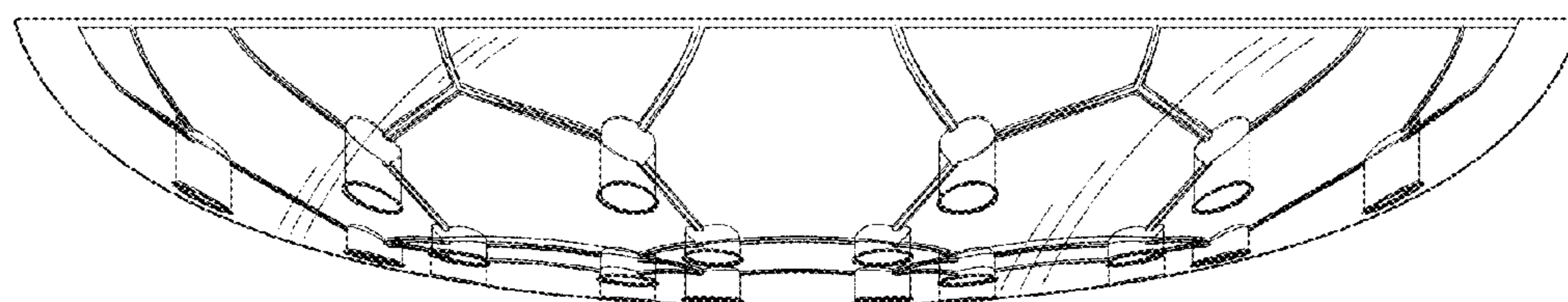


FIG. 6

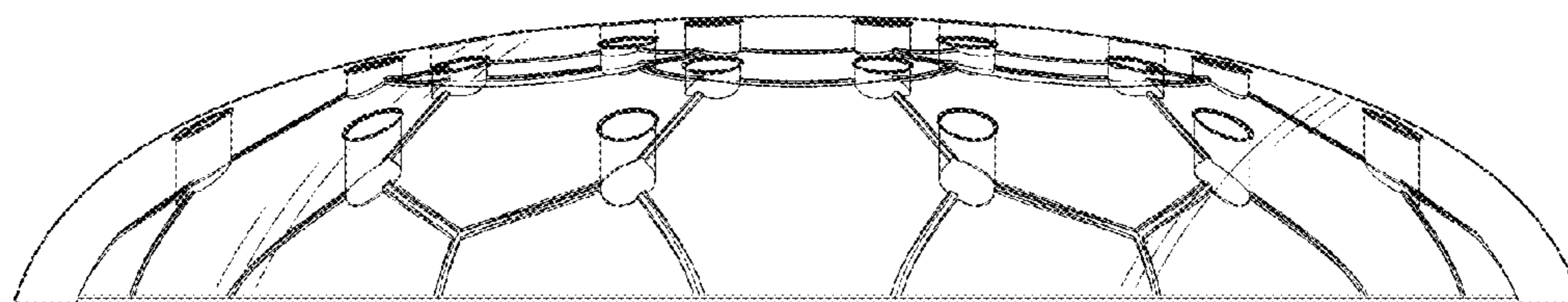


FIG. 7

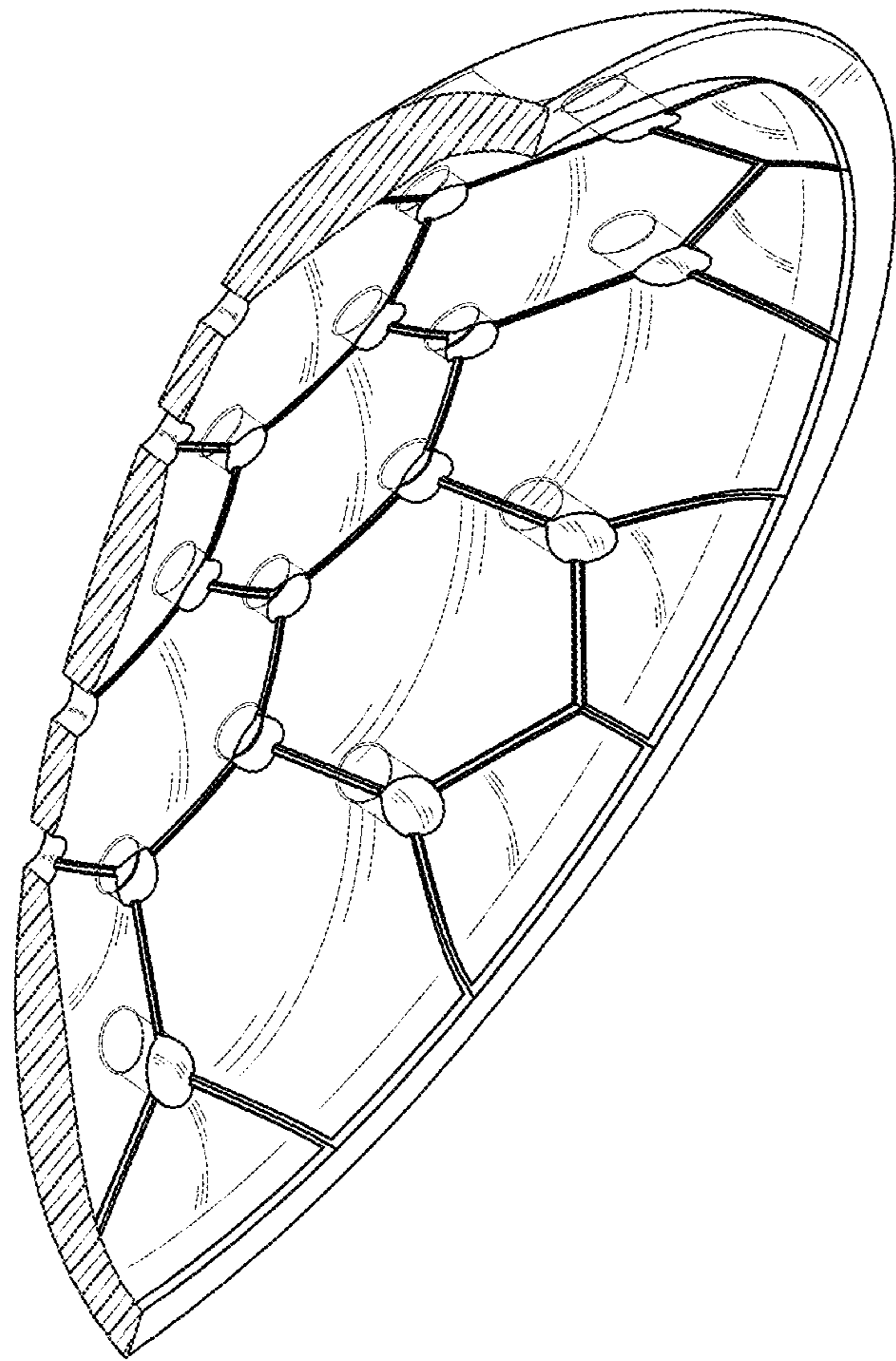


FIG. 8