



US00D740916S

(12) **United States Design Patent**
Doi et al.

(10) **Patent No.:** **US D740,916 S**

(45) **Date of Patent:** **** Oct. 13, 2015**

(54) **WATER PURIFIER**

(71) Applicant: **Mitsubishi Rayon Co., Ltd.**,
Chiyoda-ku, Tokyo (JP)

(72) Inventors: **Tsuyoshi Doi**, Tokyo (JP); **Takeshi Ishikawa**, Tokyo (JP); **Hatsumi Takeda**, Toyohashi (JP); **Stefano Paccamiccio**, Recanati (IT)

(73) Assignee: **Mitsubishi Rayon Co., Ltd.** (JP)

(**) Term: **14 Years**

(21) Appl. No.: **29/498,531**

(22) Filed: **Aug. 5, 2014**

(30) **Foreign Application Priority Data**

Feb. 5, 2014 (JP) 2014-002401

(51) **LOC (10) Cl.** **23-01**

(52) **U.S. Cl.**
USPC **D23/207; D7/317**

(58) **Field of Classification Search**
USPC D23/207, 209; D7/316-319; 210/85,
210/143, 247, 232, 266
See application file for complete search history.

(56) **References Cited**

U.S. PATENT DOCUMENTS

D260,842	S	*	9/1981	Trombly	D7/319
D331,446	S	*	12/1992	Gidman	D23/209
D416,163	S	*	11/1999	Doritty et al.	D7/319
D460,311	S	*	7/2002	Chang	D7/319
D520,597	S	*	5/2006	Witte	D23/209
D546,113	S	*	7/2007	Ruoff	D7/319
D555,225	S	*	11/2007	McCormack et al.	D23/209
D573,394	S	*	7/2008	Tullney et al.	D7/317
D604,088	S	*	11/2009	Bursztein	D7/319
D616,694	S	*	6/2010	Kulikov et al.	D7/319
D655,373	S	*	3/2012	Sheppard et al.	D23/209

D675,861	S	*	2/2013	Gray	D7/318
D677,359	S	*	3/2013	Sheppard et al.	D23/209
D677,360	S	*	3/2013	Sheppard et al.	D23/209
D677,752	S	*	3/2013	Sheppard et al.	D23/209
D677,753	S	*	3/2013	Sheppard et al.	D23/209

FOREIGN PATENT DOCUMENTS

TW	D111805	7/2006
TW	D114045	12/2006
TW	D157752	12/2013

OTHER PUBLICATIONS

U.S. Appl. No. 29/498,529 of Tsuyoshi Doi et al., titled "Main Body for Water Purifier," filed Aug. 5, 2014.

* cited by examiner

Primary Examiner — Robin V Webster

(74) *Attorney, Agent, or Firm* — Saidman DesignLaw Group, LLC

(57) **CLAIM**

The ornamental design for a water purifier, as shown and described.

DESCRIPTION

FIG. 1 is a front perspective view of a water purifier showing our new design;

FIG. 2 is a rear perspective view thereof;

FIG. 3 is another front perspective view thereof;

FIG. 4 is another rear perspective view thereof;

FIG. 5 is a front elevational view thereof;

FIG. 6 is a rear elevational view thereof;

FIG. 7 is a left side elevational view thereof;

FIG. 8 is a right side elevational view thereof;

FIG. 9 is a top plan view thereof; and,

FIG. 10 is a bottom plan view thereof.

The broken lines shown in the drawings are for illustrative purposes only and form no part of the claimed design.

1 Claim, 8 Drawing Sheets

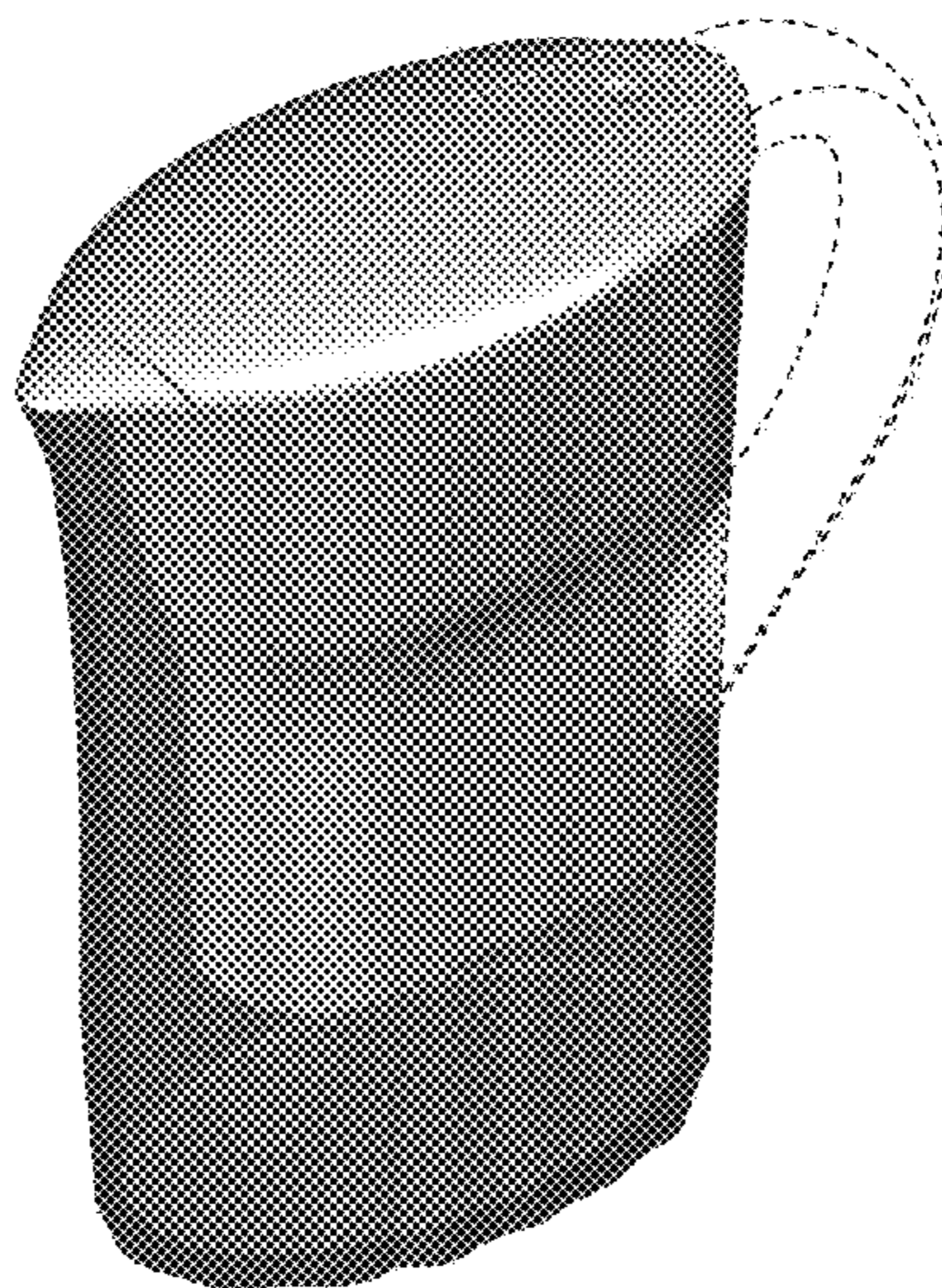


FIG. 1

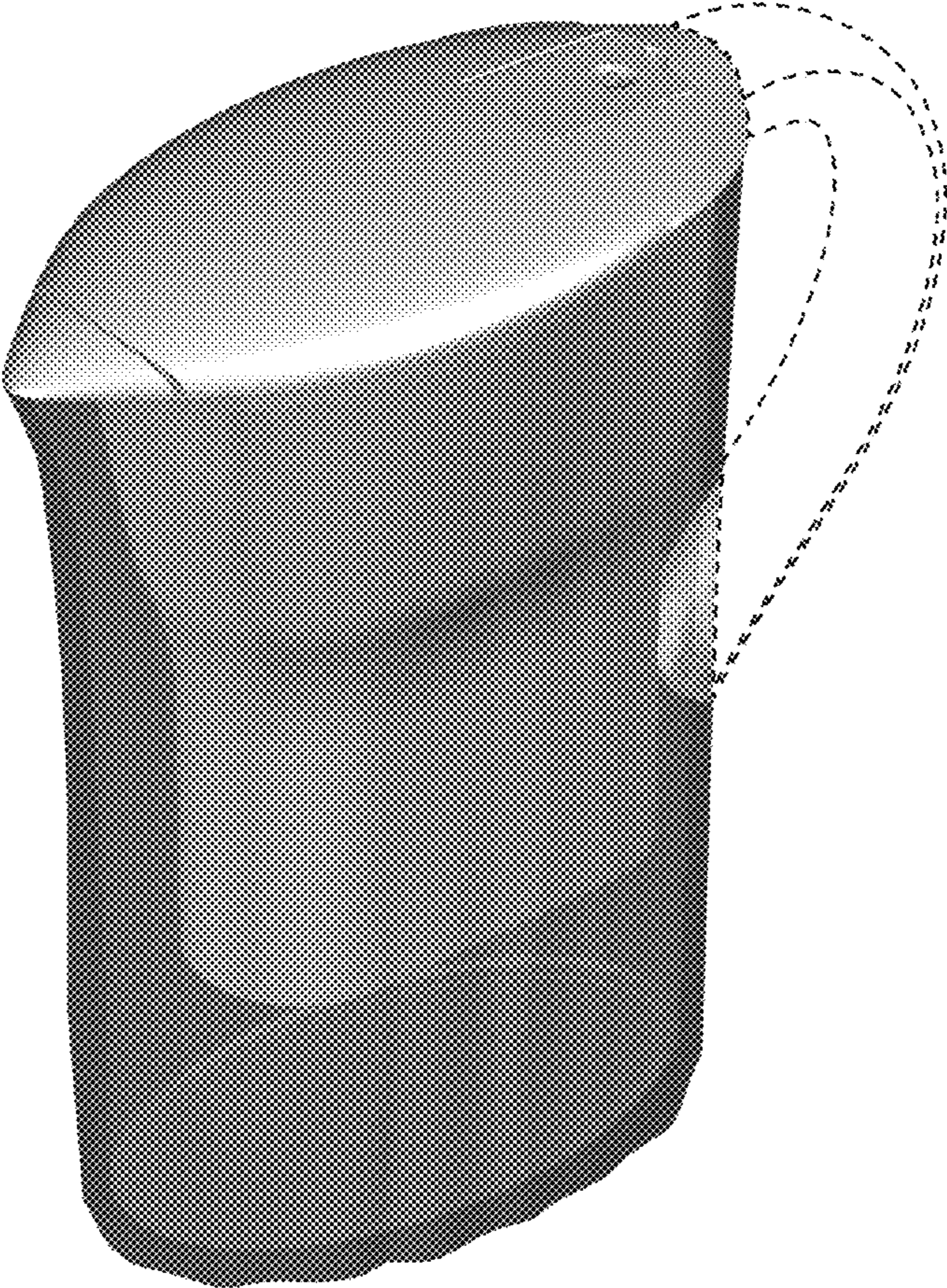


FIG. 2

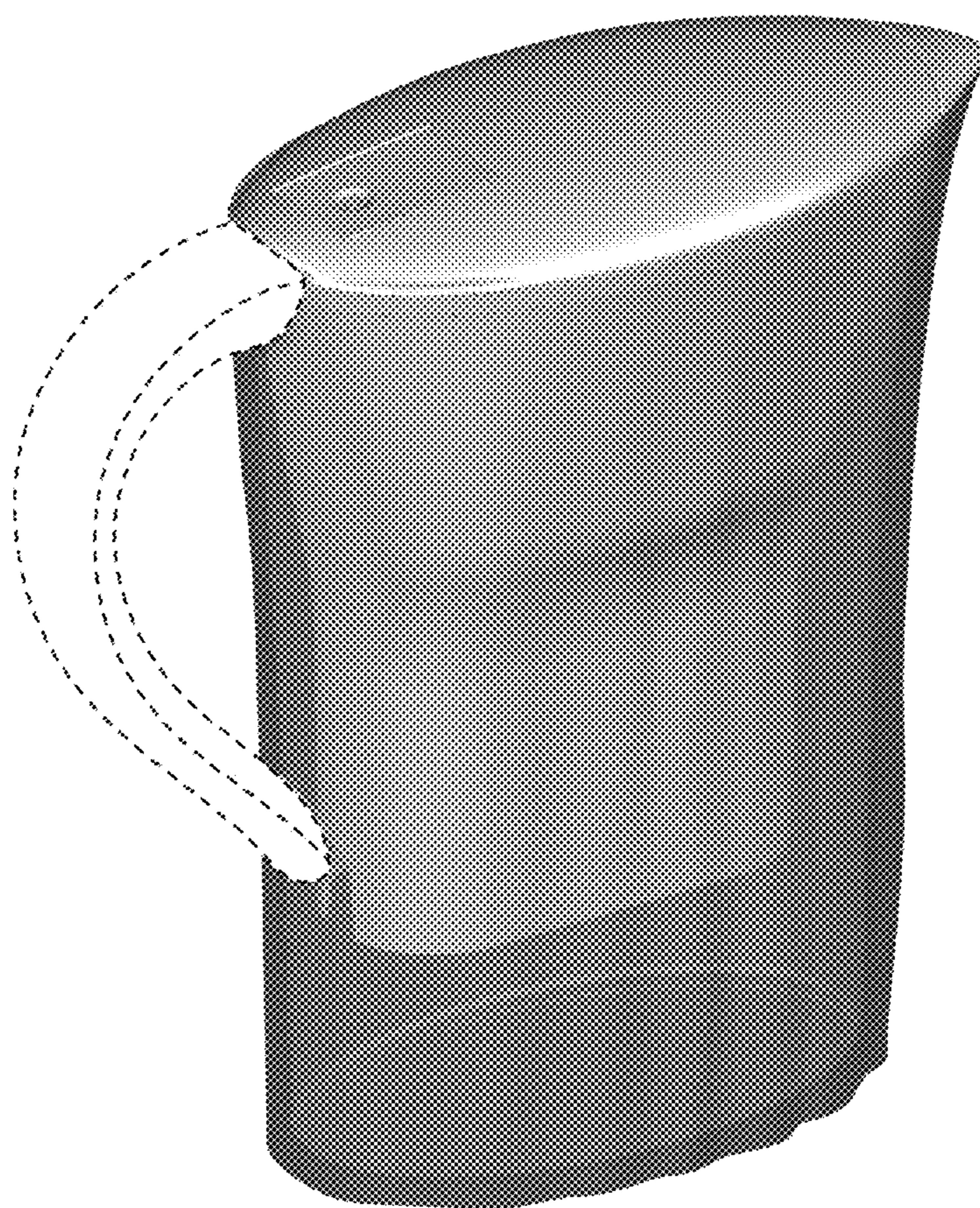


FIG. 3

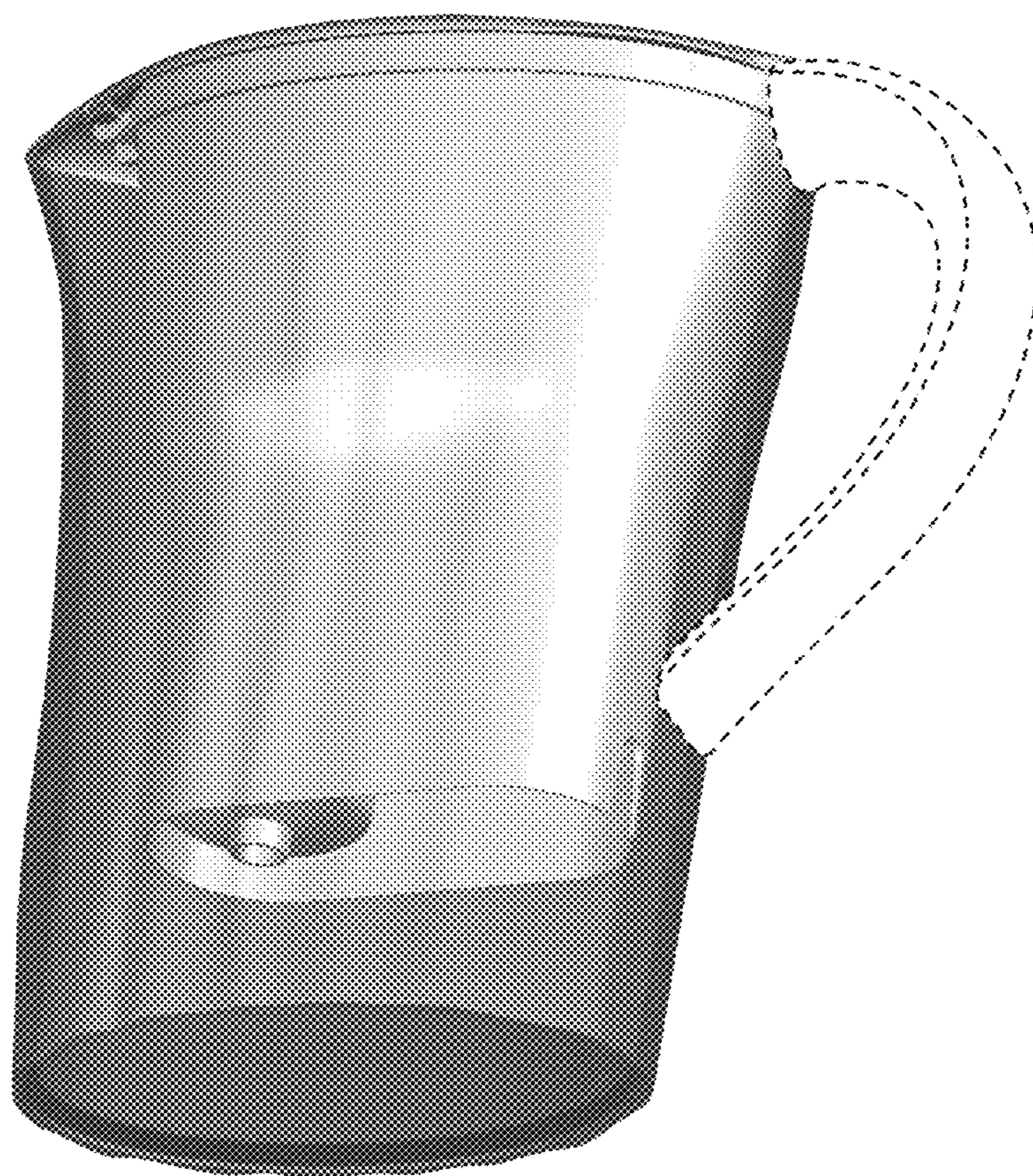


FIG. 4

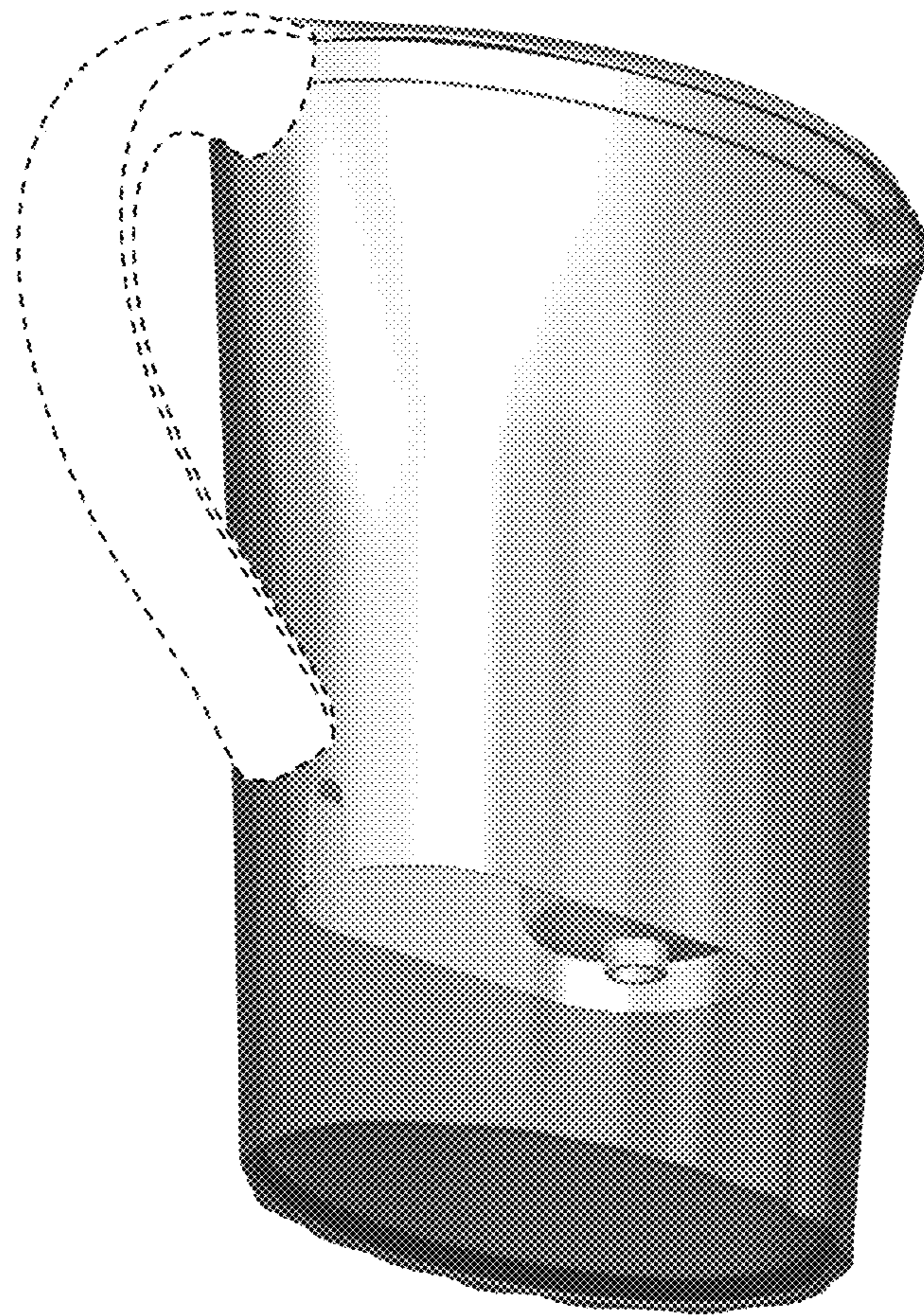


FIG. 5

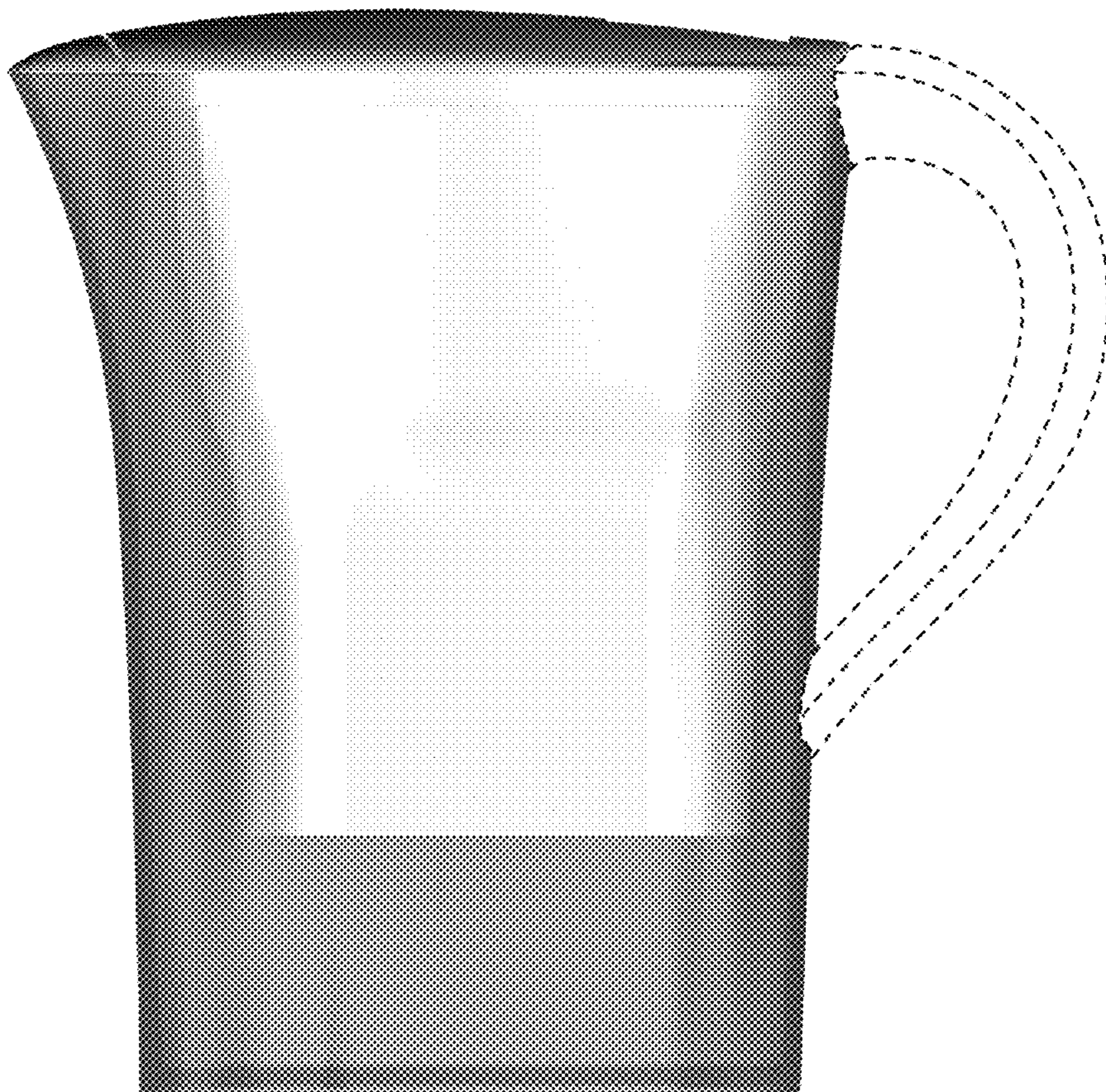


FIG. 6

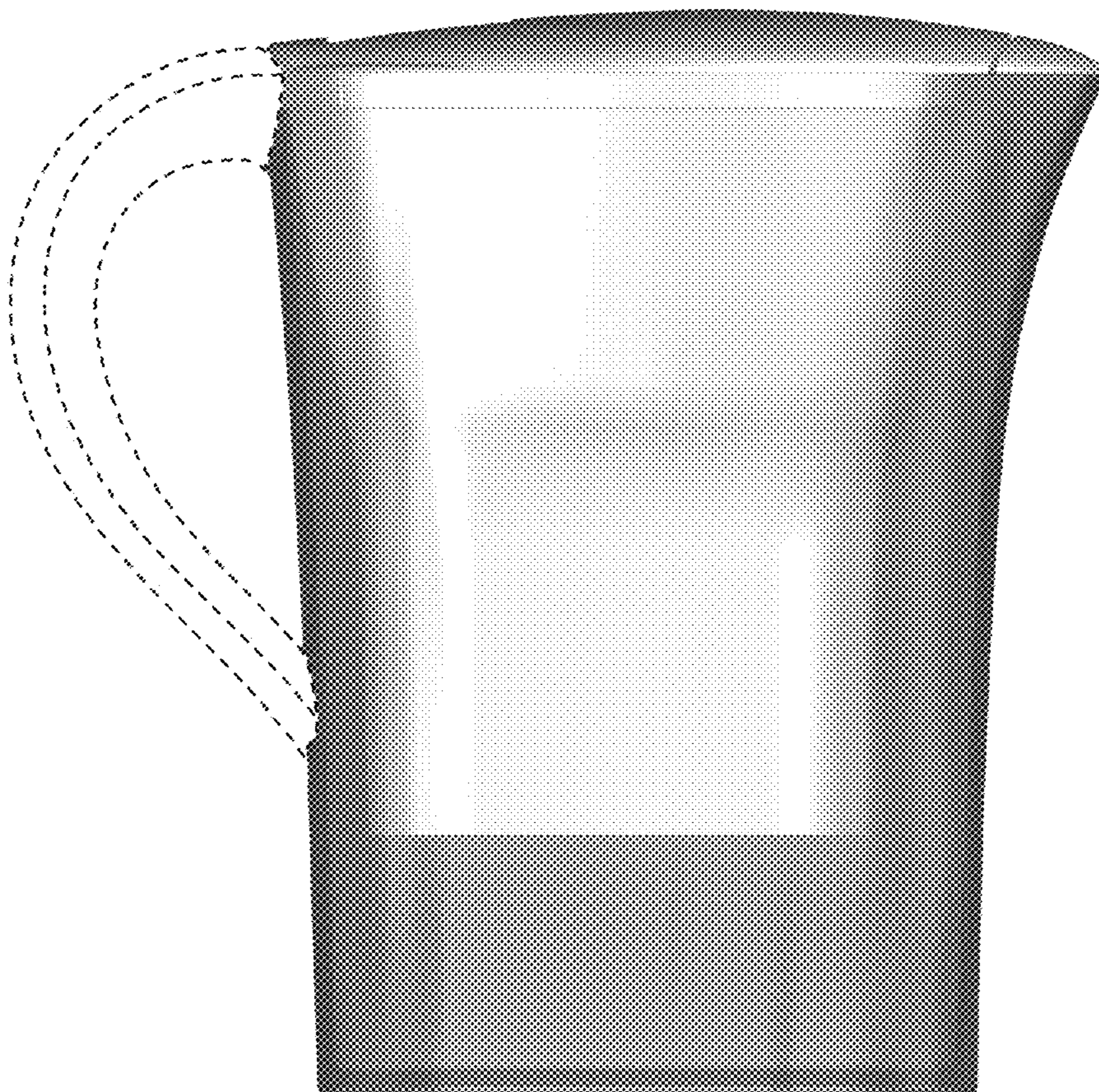


FIG. 7

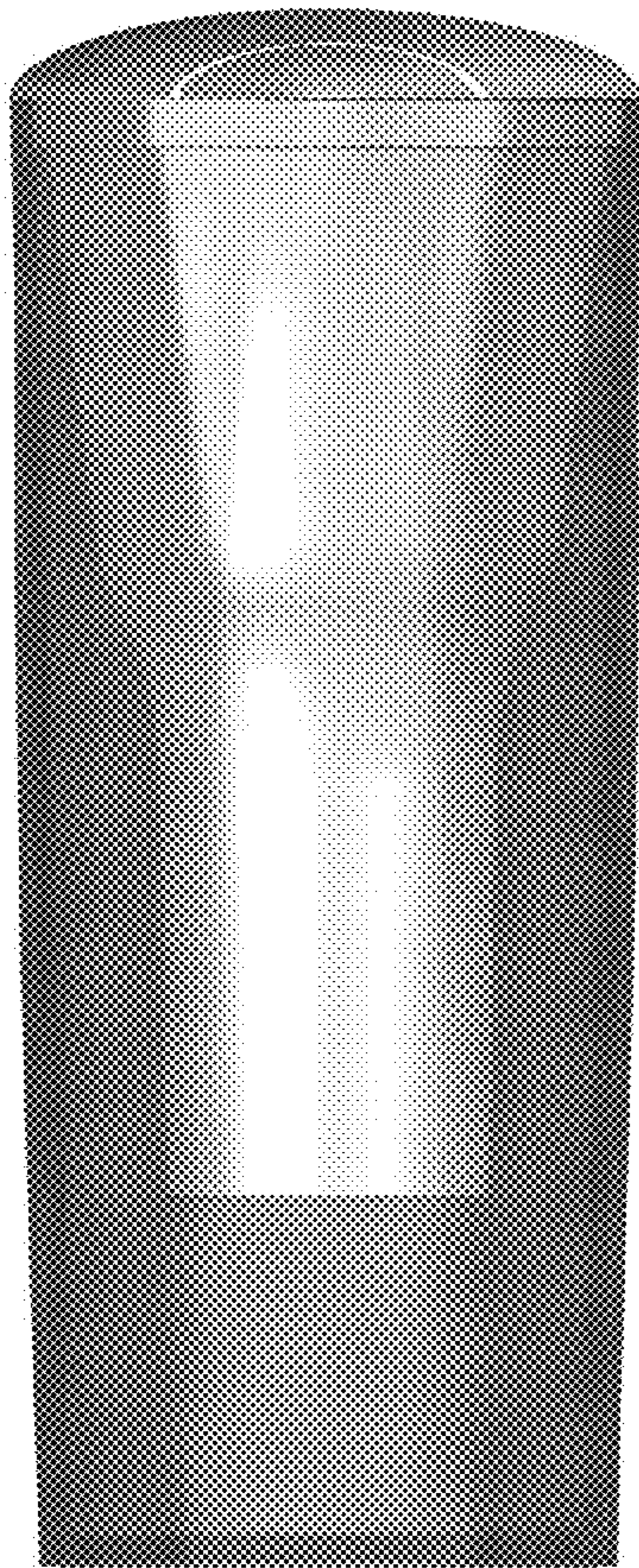


FIG. 8

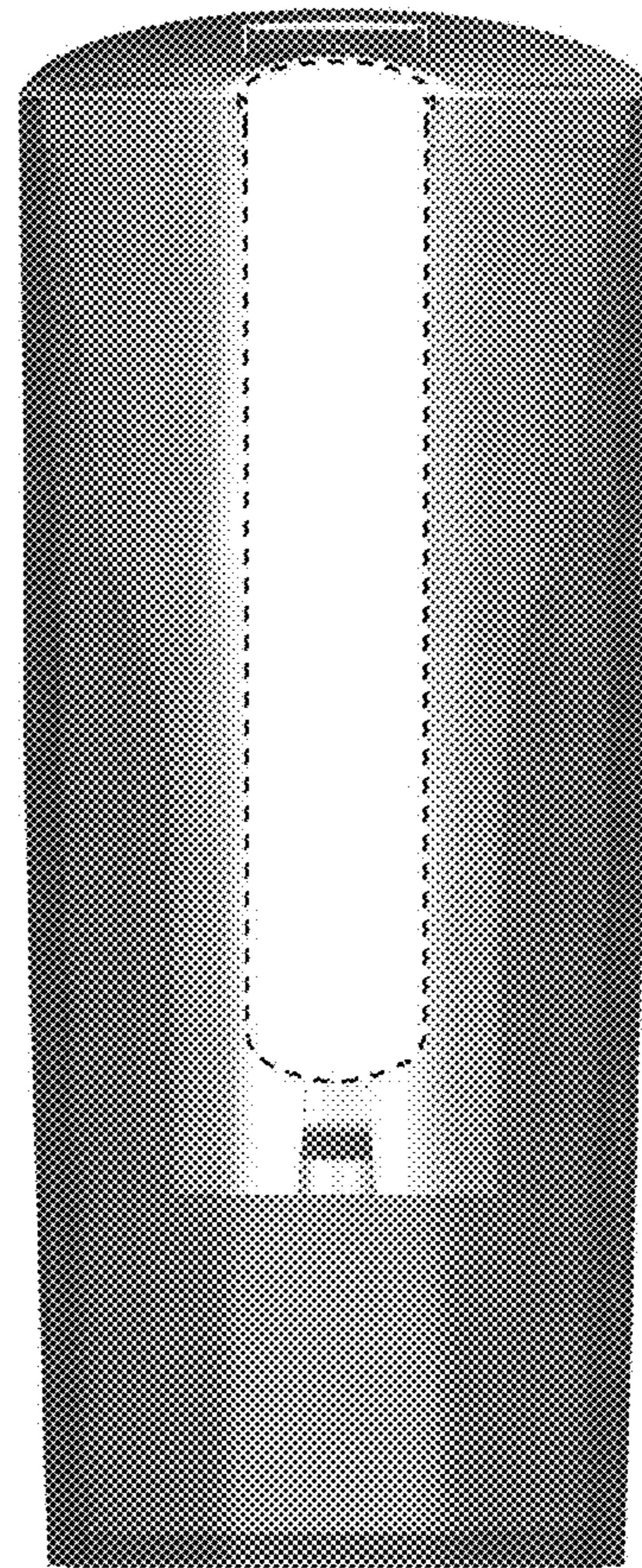


FIG. 9

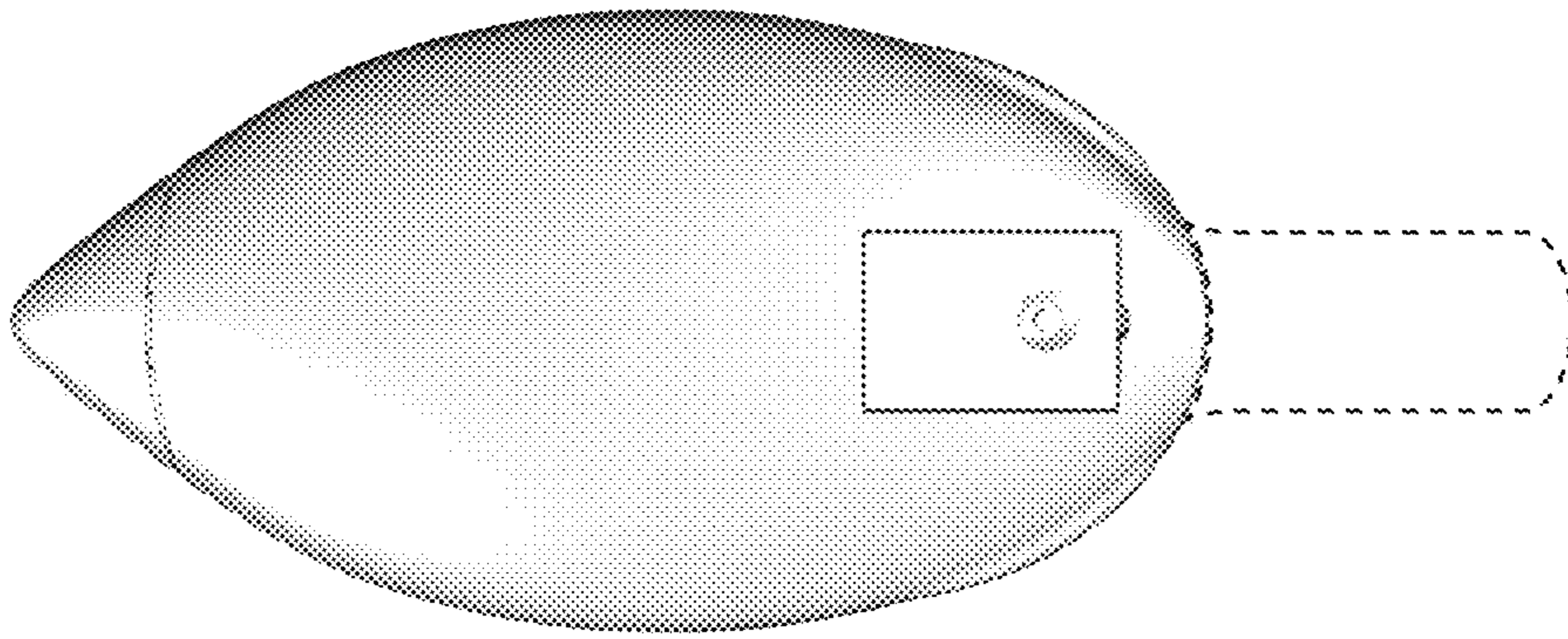


FIG. 10

