



US00D740915S

(12) **United States Design Patent**  
**Harrington et al.**

(10) **Patent No.:** **US D740,915 S**  
(45) **Date of Patent:** **\*\* Oct. 13, 2015**

(54) **WATER PURIFICATION DEVICE**  
(71) Applicant: **Unger Marketing International, LLC**,  
Birdgeport, CT (US)  
(72) Inventors: **William Harrington**, Charlestown, RI  
(US); **Kai Hirsch**, Cologne (DE)  
(73) Assignee: **Unger Marketing International, LLC**,  
Bridgeport, CT (US)

3,402,126 A 9/1968 Cioffi  
3,497,069 A 2/1970 Lindenthal et al.  
3,642,213 A 2/1972 Parkison et al.  
3,746,171 A 7/1973 Thomsen  
3,807,298 A 4/1974 Luke et al.

(Continued)

FOREIGN PATENT DOCUMENTS

DE 860195 12/1952  
DE 2020929 1/1972

(Continued)

(\*\*) Term: **14 Years**

*Primary Examiner* — Robin V Webster

(21) Appl. No.: **29/487,621**

(74) *Attorney, Agent, or Firm* — Ohlandt, Greeley, Ruggiero  
& Perle, LLP

(22) Filed: **Apr. 10, 2014**

(51) **LOC (10) Cl.** ..... **23-01**

(57) **CLAIM**

(52) **U.S. Cl.**  
USPC ..... **D23/207**

The ornamental design for the water purification device, as  
shown and described.

(58) **Field of Classification Search**  
USPC ..... D23/207, 209; 210/232, 435, 236  
CPC .. B01D 35/14; B01D 35/027; B01D 35/0276;  
B01D 35/30  
See application file for complete search history.

**DESCRIPTION**

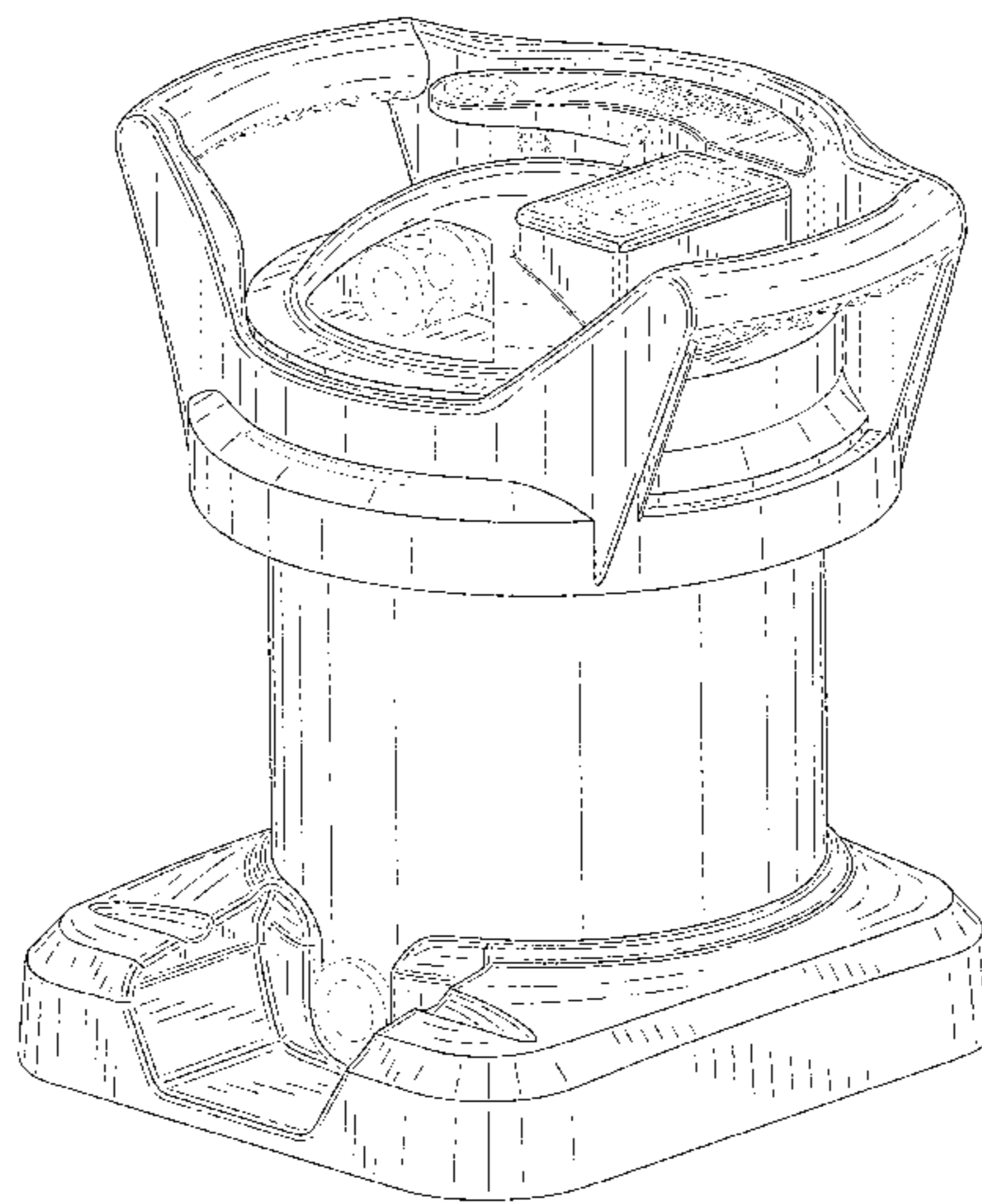
(56) **References Cited**

U.S. PATENT DOCUMENTS

661,339 A 11/1900 Greyer  
2,063,086 A 12/1936 Fitz Gerald  
2,073,991 A 3/1937 Koser  
2,087,157 A 7/1937 Lind  
2,167,225 A 7/1939 Van Eweyk  
2,278,488 A 4/1942 Ralston  
2,525,497 A 10/1950 Monfried  
2,630,227 A 3/1953 Rodwell  
2,717,614 A 9/1955 Palvios  
2,753,302 A 7/1956 Cioffi  
3,094,043 A 6/1963 Powers et al.  
3,209,915 A 10/1965 Gutkowski  
3,283,903 A \* 11/1966 Muller ..... 210/108  
3,319,794 A 5/1967 Gross  
3,342,340 A 9/1967 Shindell  
3,371,792 A 3/1968 Weyand et al.

FIG. 1 is a front perspective view of the water purification  
device according to the present disclosure;  
FIG. 2 is a rear perspective view of the water purification  
device of FIG. 1;  
FIG. 3 is a first side view of the water purification device of  
FIG. 1;  
FIG. 4 is a second, opposite view of the water purification  
device of FIG. 1;  
FIG. 5 is a front view of the water purification device of FIG.  
1;  
FIG. 6 is a rear view of the water purification device of FIG.  
1;  
FIG. 7 is a top view of the water purification device of FIG. 1;  
and,  
FIG. 8 is a bottom view of the water purification device of  
FIG. 1.  
The broken lines in the drawings illustrating environmental  
structure or boundaries that form no part of the claimed  
design.

**1 Claim, 8 Drawing Sheets**



(56)

References Cited

U.S. PATENT DOCUMENTS

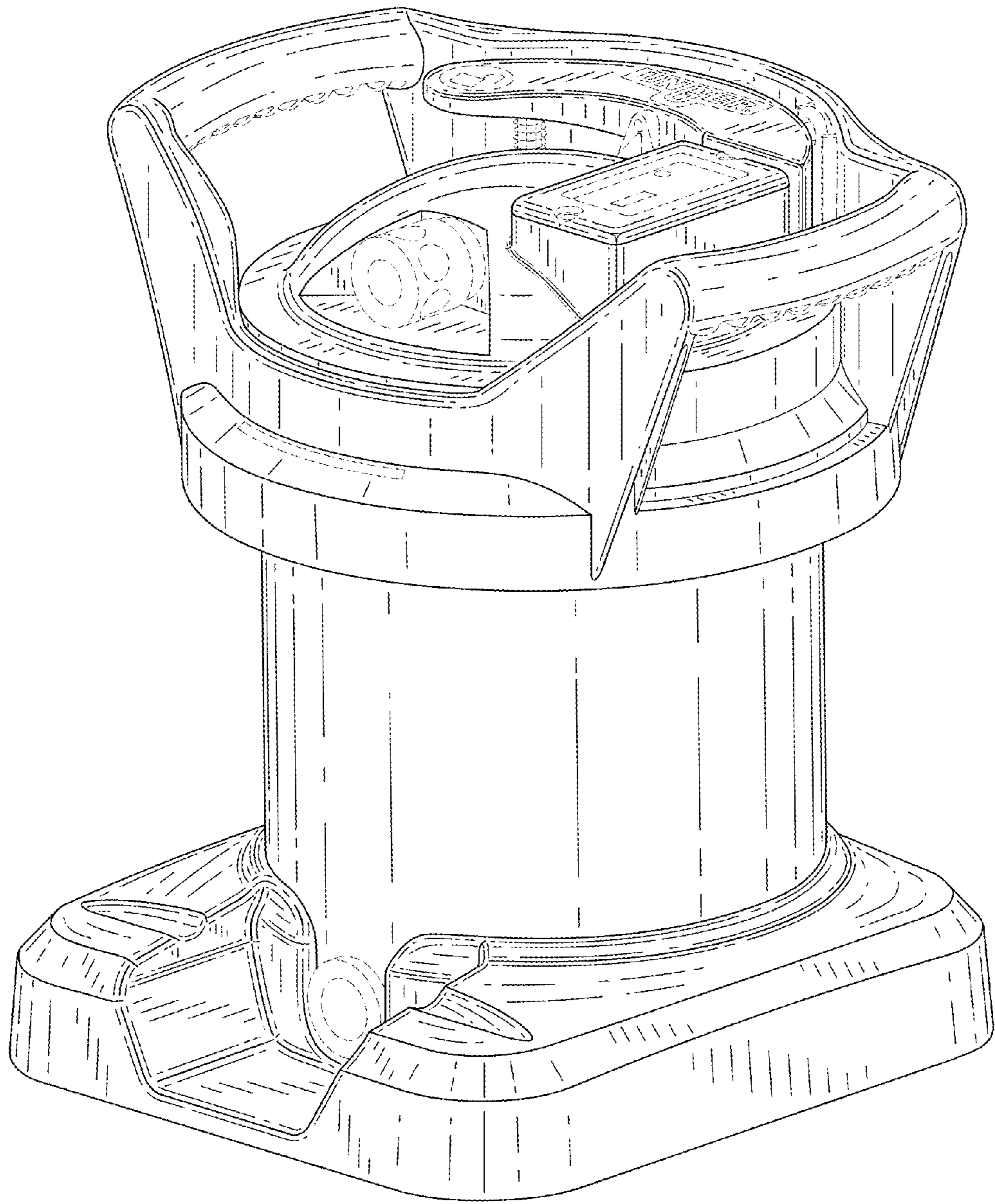
3,962,092 A 6/1976 Newman, Jr.  
 4,005,010 A 1/1977 Lunt  
 4,048,064 A 9/1977 Clark, III  
 4,102,473 A 7/1978 Draxler  
 4,368,123 A 1/1983 Stanley  
 4,418,924 A 12/1983 Mack  
 4,728,422 A 3/1988 Bailey  
 4,793,922 A 12/1988 Morton  
 4,795,173 A 1/1989 Osborne  
 4,882,050 A 11/1989 Kopf  
 4,885,089 A 12/1989 Hankammer  
 5,006,238 A 4/1991 Tominaga  
 D320,273 S 9/1991 Heiden  
 5,087,357 A 2/1992 Villa  
 5,100,551 A 3/1992 Pall et al.  
 5,112,503 A 5/1992 Raifman  
 5,114,572 A 5/1992 Hunter et al.  
 5,154,823 A 10/1992 Ma et al.  
 5,254,242 A \* 10/1993 van der Meer et al. .... 210/91  
 5,288,412 A 2/1994 Voorhees et al.  
 5,318,703 A 6/1994 Heiligman  
 5,378,370 A 1/1995 Brane et al.  
 5,510,027 A 4/1996 Tejeda  
 5,558,244 A 9/1996 Akaike et al.  
 5,566,611 A 10/1996 Scheucher et al.  
 5,595,652 A 1/1997 Rainer  
 5,605,624 A 2/1997 Wright  
 5,624,559 A 4/1997 Levin et al.  
 5,660,863 A 8/1997 Nakano et al.  
 5,853,572 A 12/1998 Kuennen et al.  
 5,876,600 A 3/1999 Matsubara et al.  
 5,985,139 A \* 11/1999 Zoeller ..... 210/85  
 5,993,656 A 11/1999 Cordani  
 6,068,761 A 5/2000 Yuen  
 6,099,728 A 8/2000 Bairischer  
 6,120,686 A 9/2000 Bilz  
 6,132,612 A 10/2000 Bourgeois  
 6,136,183 A 10/2000 Suzuki et al.  
 6,197,193 B1 3/2001 Archer  
 6,274,055 B1 8/2001 Zuk, Jr.  
 6,343,697 B1 2/2002 Hausdorf et al.  
 6,391,097 B1 5/2002 Rosenberg  
 6,500,335 B2 12/2002 Janik et al.  
 6,610,275 B1 8/2003 Owades et al.  
 6,622,871 B2 9/2003 Gabele et al.  
 6,649,056 B2 11/2003 Fritze  
 6,685,843 B2 2/2004 Leaverton  
 6,716,348 B1 4/2004 Morgan  
 6,773,588 B2 8/2004 Beeman et al.  
 D496,984 S \* 10/2004 Costa et al. .... D23/207  
 D506,551 S 6/2005 Booth et al.  
 7,014,690 B2 3/2006 Mitsch et al.  
 7,147,774 B2 12/2006 Jones, III  
 7,156,994 B1 1/2007 Archer  
 7,186,338 B2 3/2007 Boisvert  
 7,243,728 B2 7/2007 Stoesz et al.  
 7,303,605 B2 12/2007 Zia et al.

D562,431 S \* 2/2008 Brune ..... D23/209  
 7,357,337 B2 4/2008 Ferrari  
 7,378,019 B1 5/2008 Currier et al.  
 7,459,078 B2 \* 12/2008 Klein et al. .... 210/234  
 7,566,399 B2 7/2009 Kuo  
 7,625,199 B2 12/2009 Jahn et al.  
 7,850,859 B2 12/2010 Tanner et al.  
 7,963,400 B2 6/2011 Stolarik et al.  
 8,110,103 B2 2/2012 Mormino et al.  
 8,182,212 B2 5/2012 Parcell  
 8,323,493 B2 12/2012 Quintel et al.  
 8,393,262 B1 3/2013 Molayem  
 8,464,743 B2 6/2013 King et al.  
 2004/0084361 A1 5/2004 Janik et al.  
 2004/0140251 A1 7/2004 Hsiao  
 2006/0086656 A1 4/2006 Morgan  
 2007/0235381 A1 10/2007 Tsai  
 2008/0000820 A1 1/2008 Mitchell  
 2008/0011669 A1 1/2008 Morgan  
 2009/0008318 A1 1/2009 Anes et al.  
 2009/0045583 A1 2/2009 Ropponen  
 2009/0146421 A1 6/2009 Engdahl  
 2009/0173284 A1 7/2009 Yoo et al.  
 2009/0314703 A1 12/2009 Beach et al.  
 2010/0012590 A1 1/2010 Slark  
 2010/0126946 A1 5/2010 Morgan  
 2010/0314301 A1 12/2010 Sloan et al.  
 2011/0089180 A1 4/2011 Kolbasi  
 2011/0303618 A1 12/2011 Cueman et al.  
 2012/0085687 A1 4/2012 Simonette  
 2012/0261325 A1 10/2012 Brown et al.  
 2012/0261329 A1 10/2012 Quintel  
 2013/0020246 A1 1/2013 Hoots et al.  
 2013/0025447 A1 1/2013 Crowder  
 2013/0056406 A1 3/2013 Jacobs et al.  
 2013/0277298 A1 10/2013 Sanocki et al.

FOREIGN PATENT DOCUMENTS

DE 2364504 8/1974  
 DE 2608408 11/1976  
 DE 2531850 1/1977  
 DE 3624414 A1 1/1988  
 DE 4136852 C2 5/1993  
 DE 4325114 C1 11/1994  
 DE 69411911 T2 2/1999  
 DE 20022322 U1 7/2001  
 DE 10305632 A1 11/2003  
 DE 202006002737 U1 4/2006  
 EP 0676010 B1 5/1993  
 EP 1221429 A1 11/1999  
 EP 1626936 B1 2/2006  
 GB 1296051 4/1969  
 JP 11090427 4/1999  
 NL 8204637 6/1984  
 WO 03064290 A1 8/2003  
 WO 2004110938 A2 6/2004  
 WO 2010081075 1/2010

\* cited by examiner



**FIG. 1**

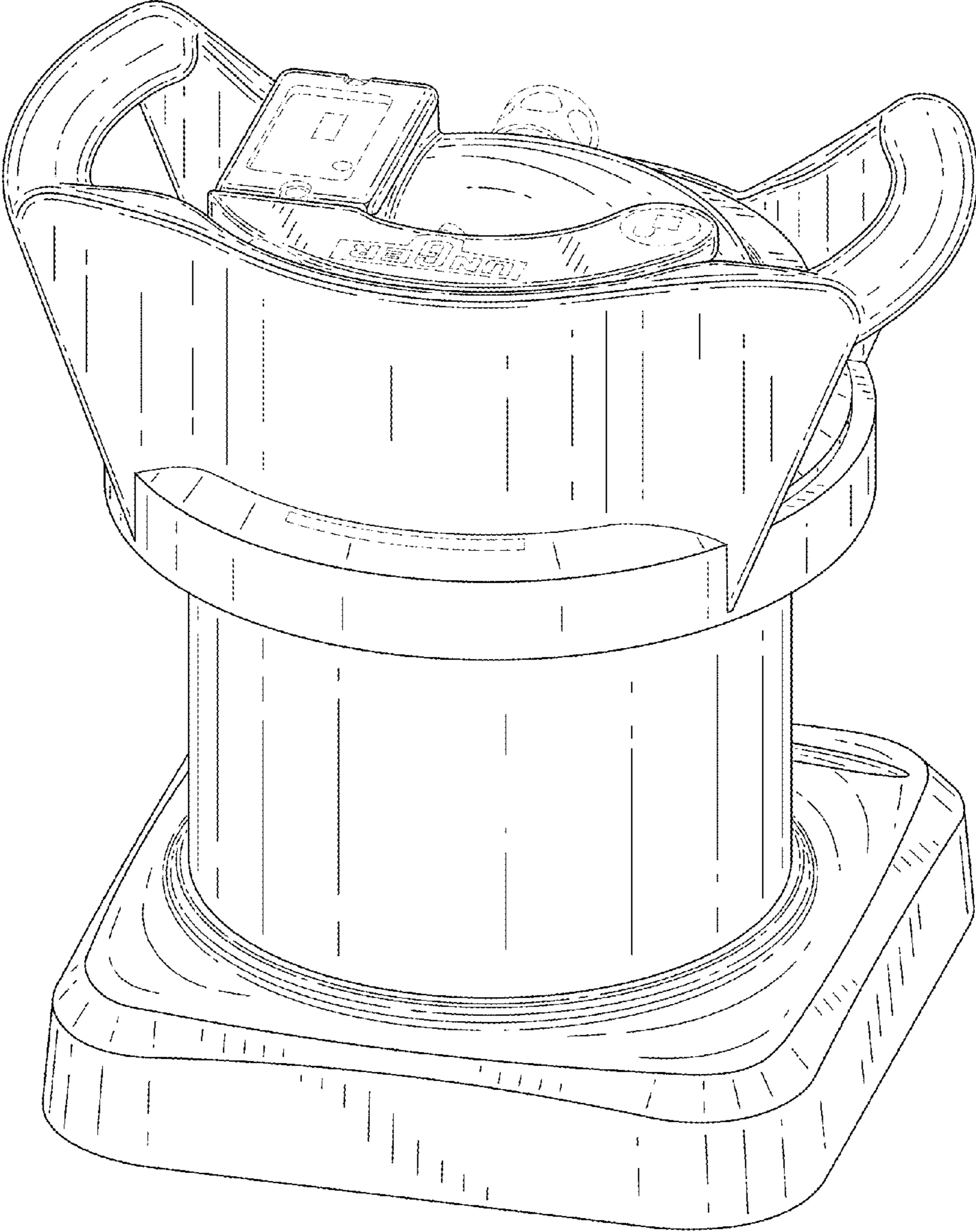
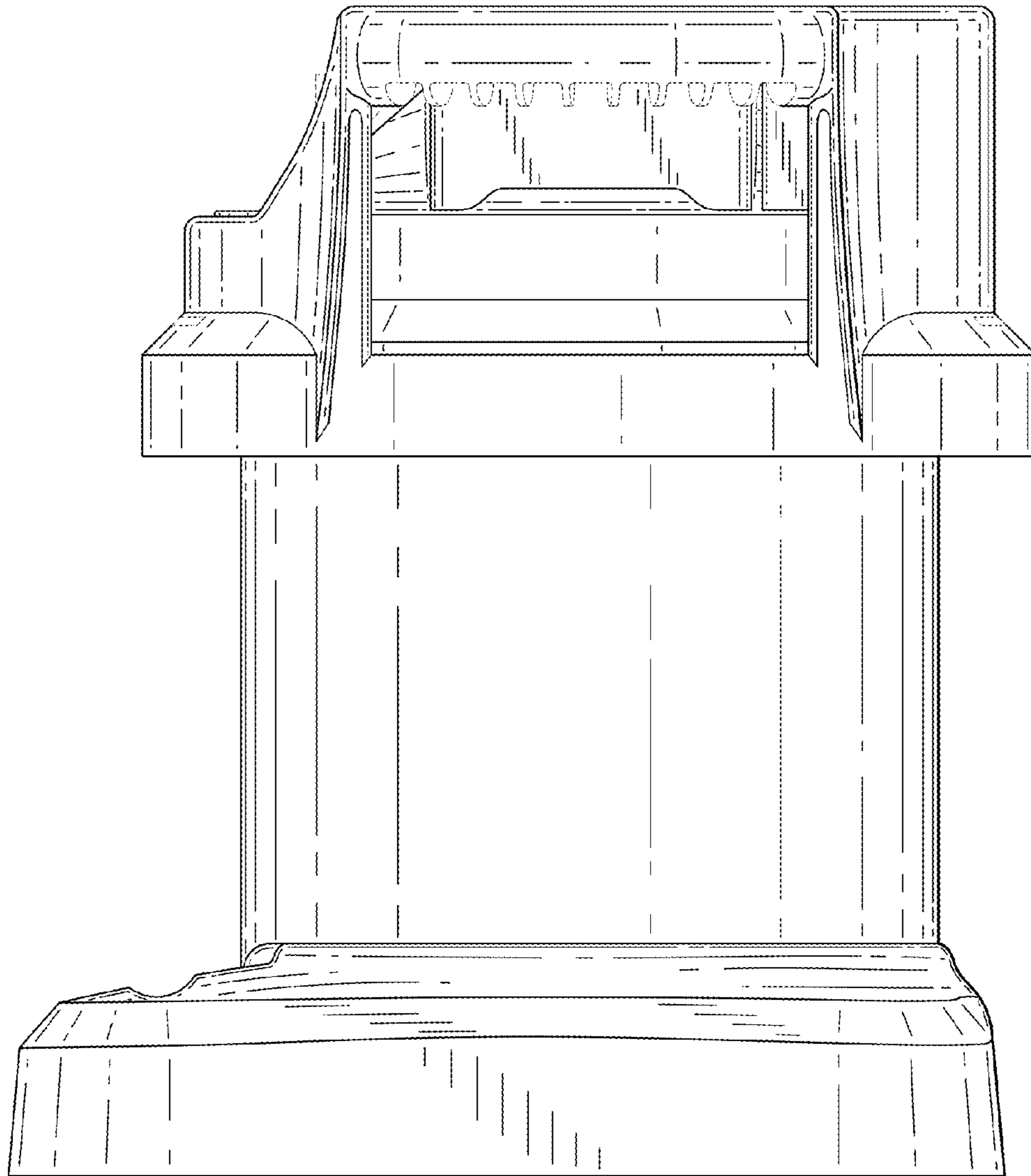
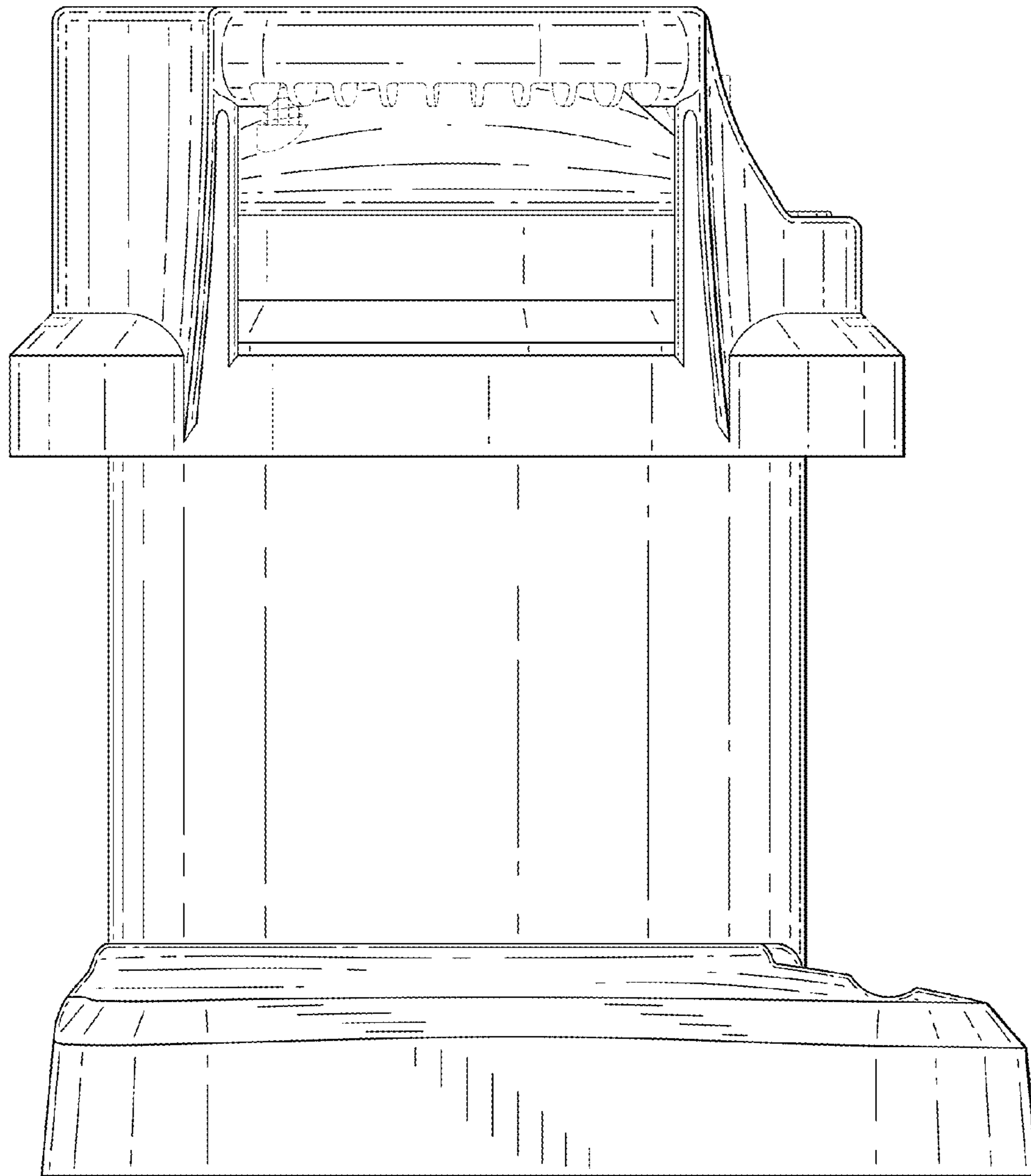


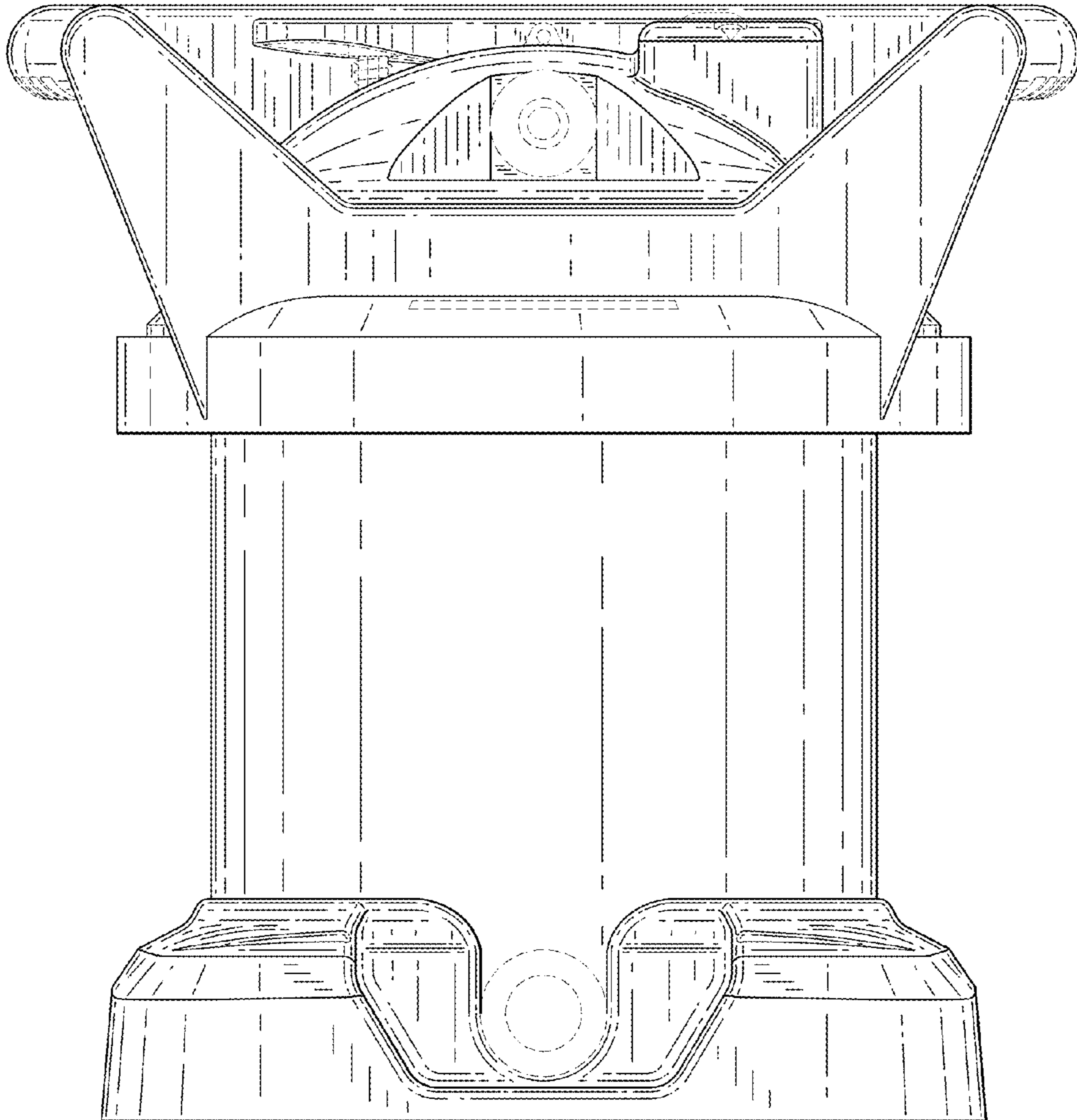
FIG. 2



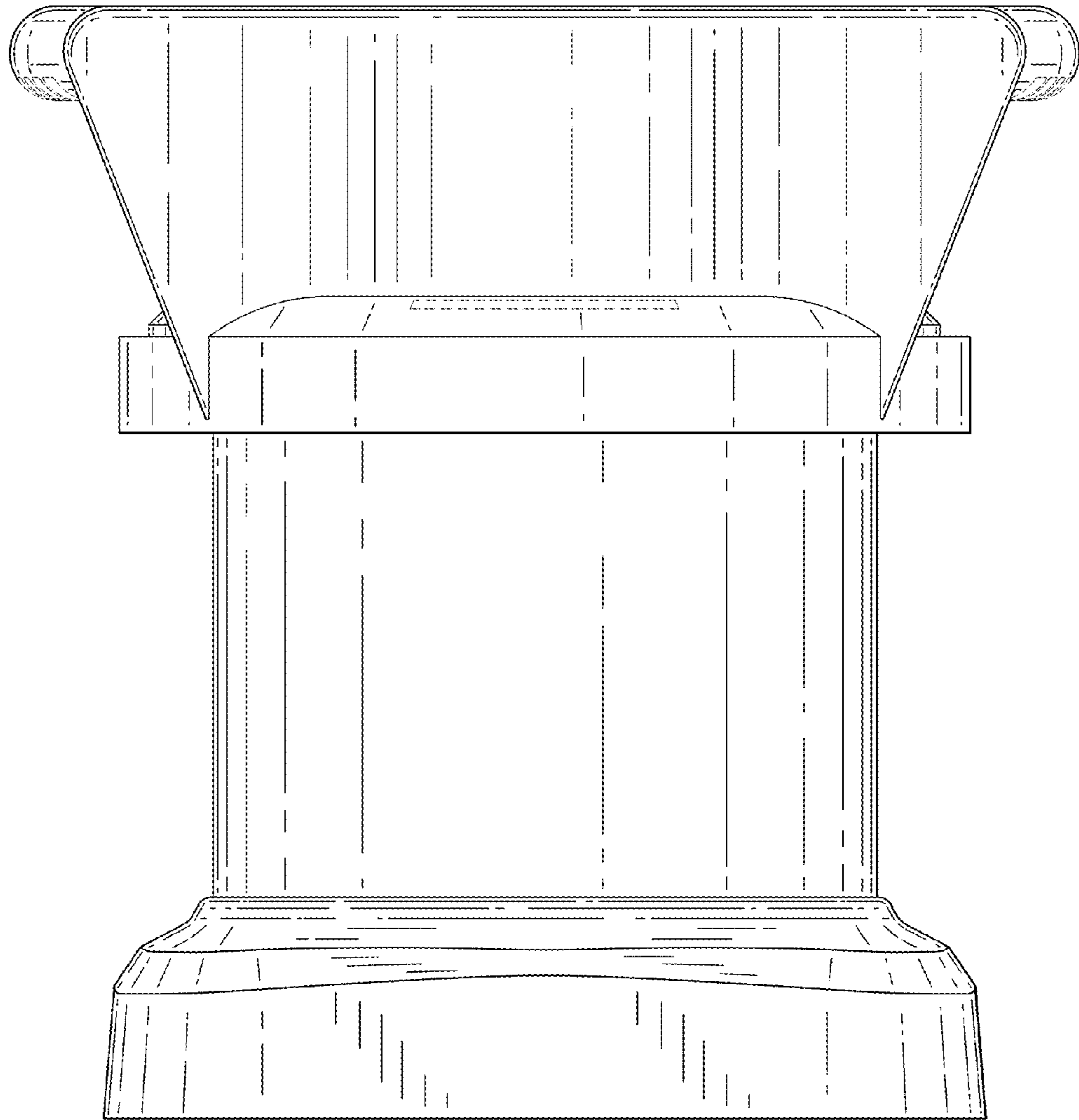
**FIG. 3**



**FIG. 4**

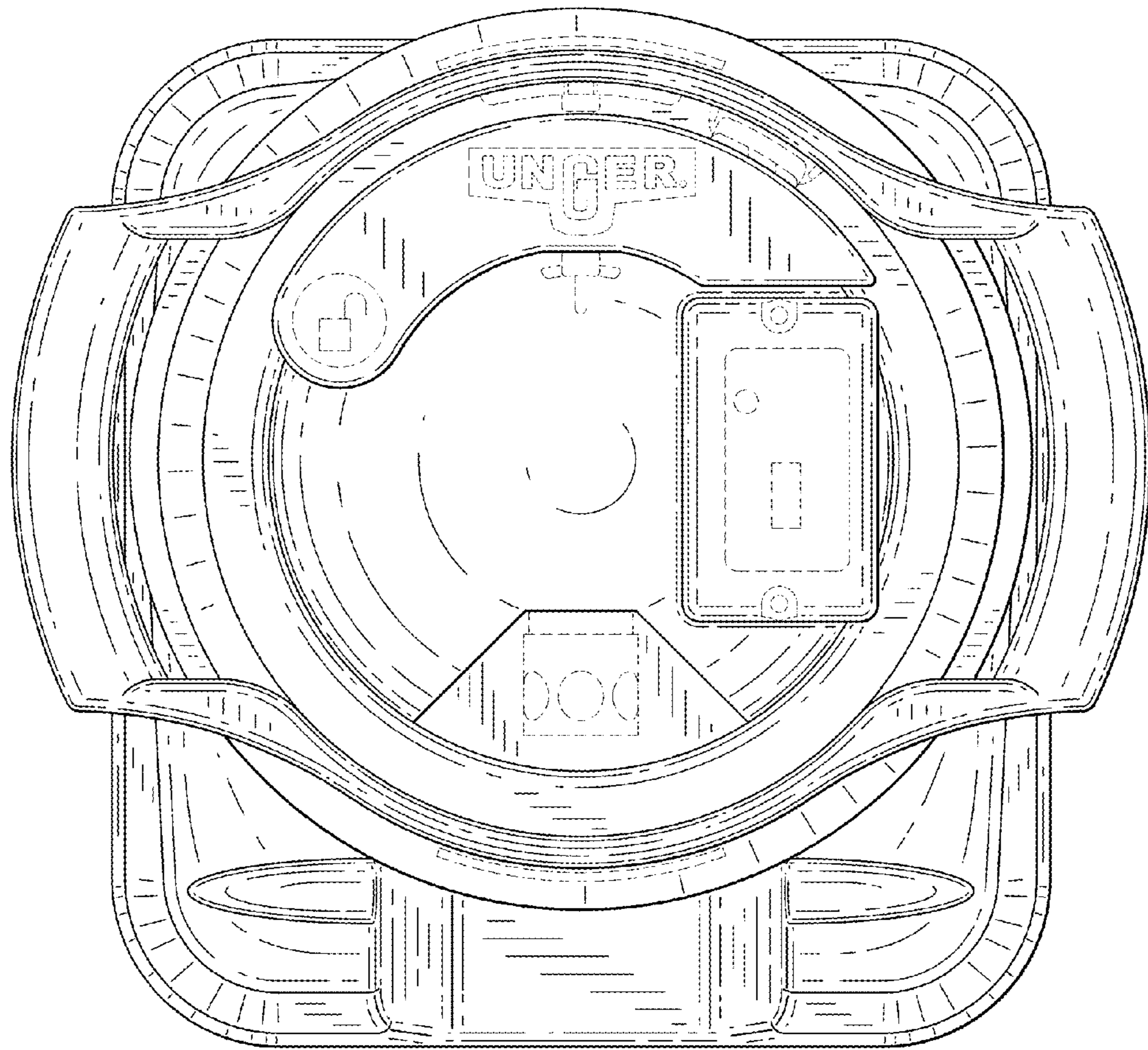


**FIG. 5**

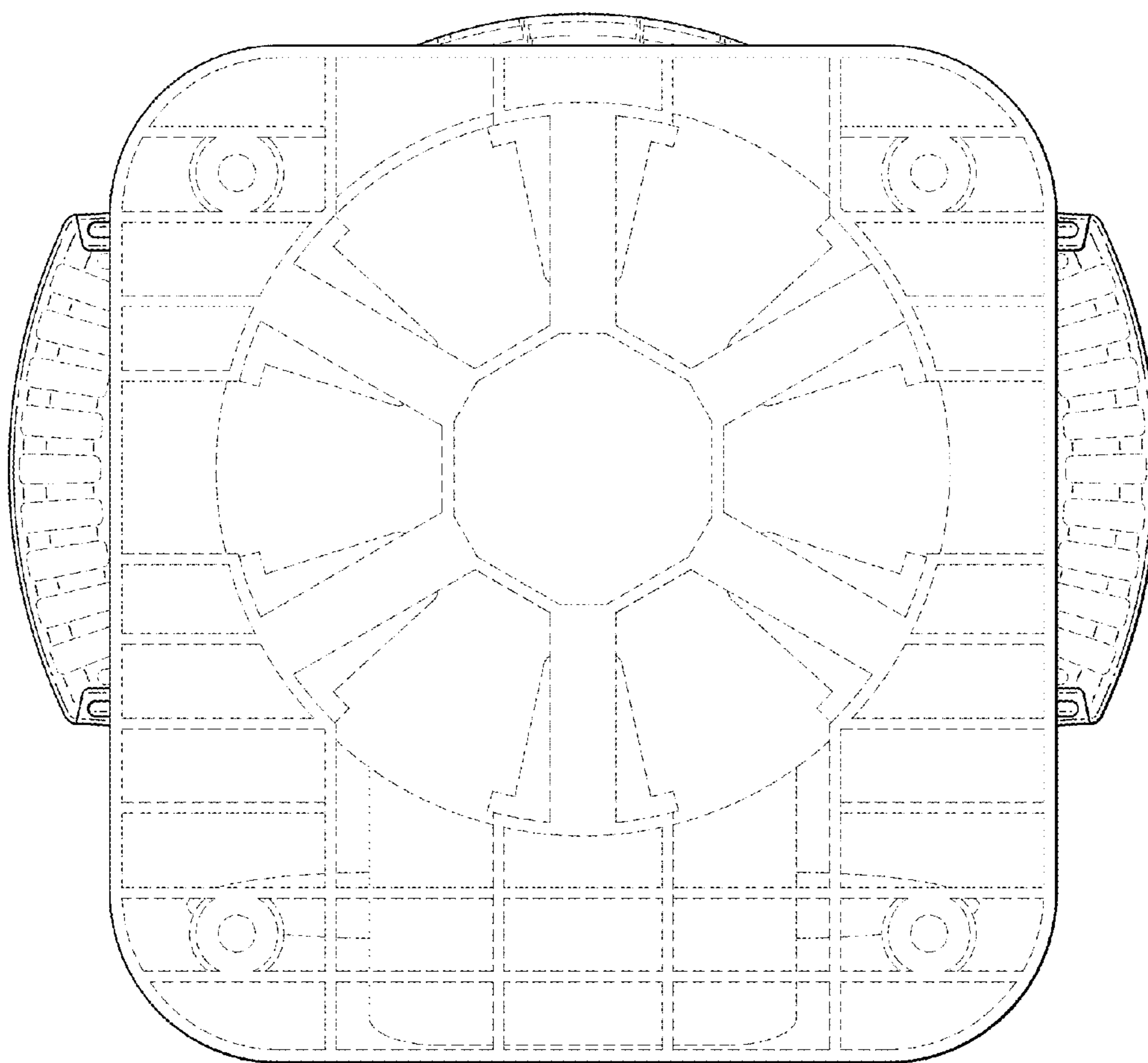


**FIG. 6**





**FIG. 7**



**FIG. 8**