

US00D740909S

(12) **United States Design Patent**
Larson, Jr.

(10) **Patent No.:** **US D740,909 S**
(45) **Date of Patent:** **** Oct. 13, 2015**

(54) **FIREARM**

(71) Applicant: **Rock River Arms, Inc.**, Colona, IL (US)

(72) Inventor: **Lester C. Larson, Jr.**, Colona, IL (US)

(73) Assignee: **Rock River Arms, Inc.**, Colona, IL (US)

(**) Term: **14 Years**

(21) Appl. No.: **29/495,155**

(22) Filed: **Jun. 27, 2014**

(51) **LOC (10) Cl.** **22-01**

(52) **U.S. Cl.**
USPC **D22/108**

(58) **Field of Classification Search**

USPC D22/103, 108; D21/572-575; 42/51,
42/71.01, 75.01, 75.02, 90, 94, 134, 136,
42/139, 125, 72, 111; 89/40.06, 41.19,
89/37.04, 33.04, 191.01, 200-204;
124/67, 66, 72, 74

CPC F41C 7/00; F41C 7/11; F41C 7/12

See application file for complete search history.

(56) **References Cited**

U.S. PATENT DOCUMENTS

9,021,733	B1 *	5/2015	DiChario	42/69.01
2009/0077852	A1 *	3/2009	Steimke et al.	42/39.5
2012/0297656	A1 *	11/2012	Langevin et al.	42/16
2014/0230297	A1 *	8/2014	Larson et al.	42/6
2014/0245650	A1 *	9/2014	Abst	42/84
2014/0311004	A1 *	10/2014	Barrett	42/16
2015/0198394	A1 *	7/2015	Hochstrate et al.	42/17

OTHER PUBLICATIONS

“Model M&P15T—5.56mm, Tactical”, http://www.smith-wesson.com/webapp/wcs/stores/servlet/Product4_750001_750051_

786010_-1_757784_757784_757784_ProductDisplayErrorView_Y, published date unknown, but prior to the filing date of the present application, Smith & Wesson, United States.

“Model M&P15-22 MOE Rifle—Magpul® Sights, Stock and Grip”, http://www.smith-wesson.com/webapp/wcs/stores/servlet/Product4_750001_750051_773502_-1_757784_757784_757784_ProductDisplayErrorView_Y, published date unknown, but prior to the filing date of the present application, Smith & Wesson, United States.

“Model R-15™ 450 Bushmaster”, <http://www.remington.com/products/firearms/centerfire/model-r-15/model-r-15-450-bushmaster.aspx>, published date unknown, but prior to the filing date of the present application, Remington Arms Company, LLC, United States.

* cited by examiner

Primary Examiner — Michael A Pratt

(74) *Attorney, Agent, or Firm* — Banner & Witcoff, Ltd.

(57) **CLAIM**

The ornamental design for a firearm, as shown and described.

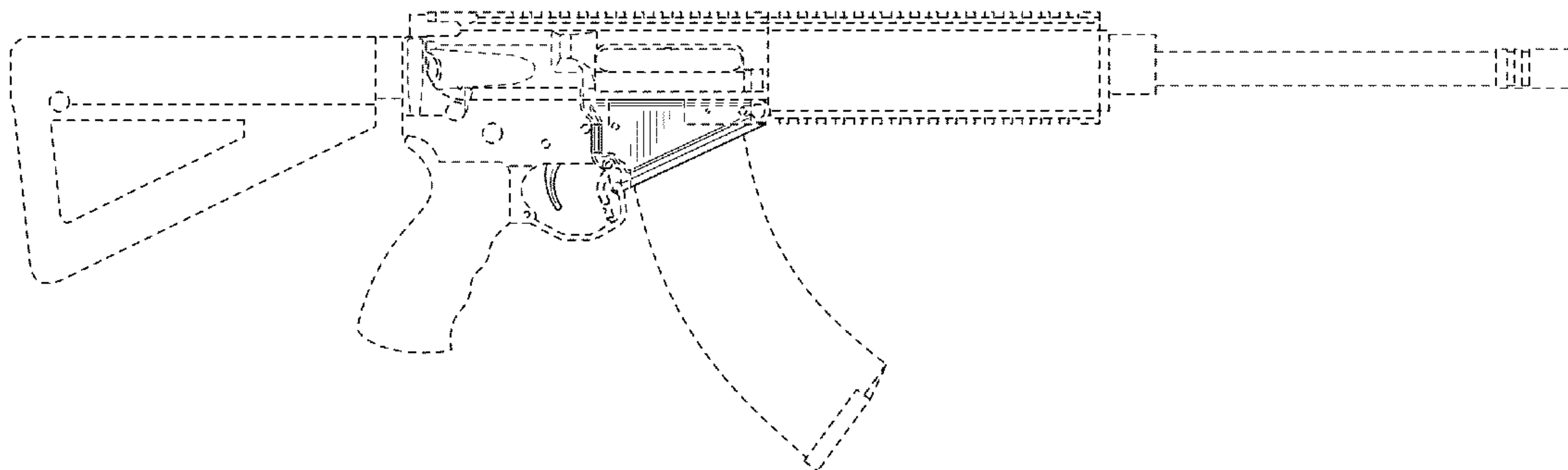
DESCRIPTION

FIG. 1 is a left side view of a firearm showing my new design; FIG. 2 is an enlarged top, rear, left perspective view thereof, wherein some unclaimed subject matter has been omitted for clarity; and,

FIG. 3 is an enlarged left side view thereof.

The even length broken lines immediately adjacent to the shaded area represent unclaimed boundaries of the design. The even length broken lines showing the remainder of the firearm are for environmental purposes only and form no part of the claimed design. The uneven length broken lines represent imaginary break lines.

1 Claim, 3 Drawing Sheets



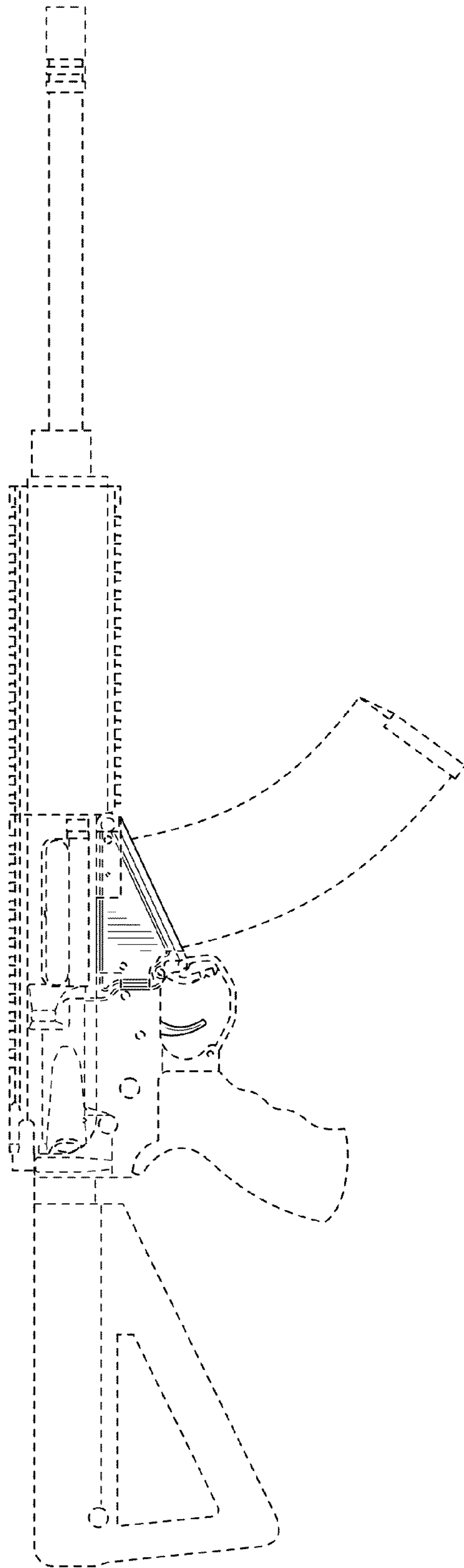


FIG. 1

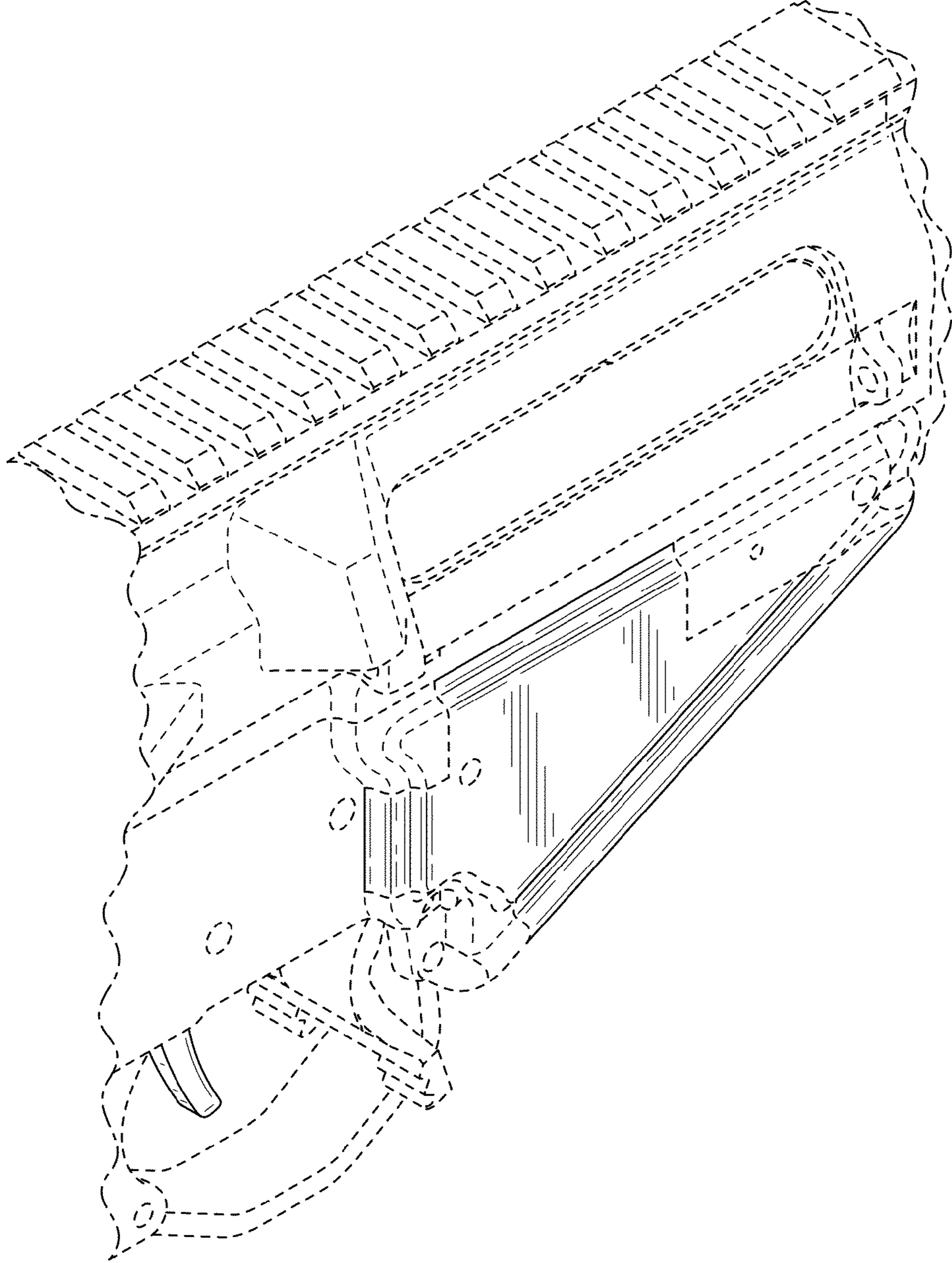


FIG. 2

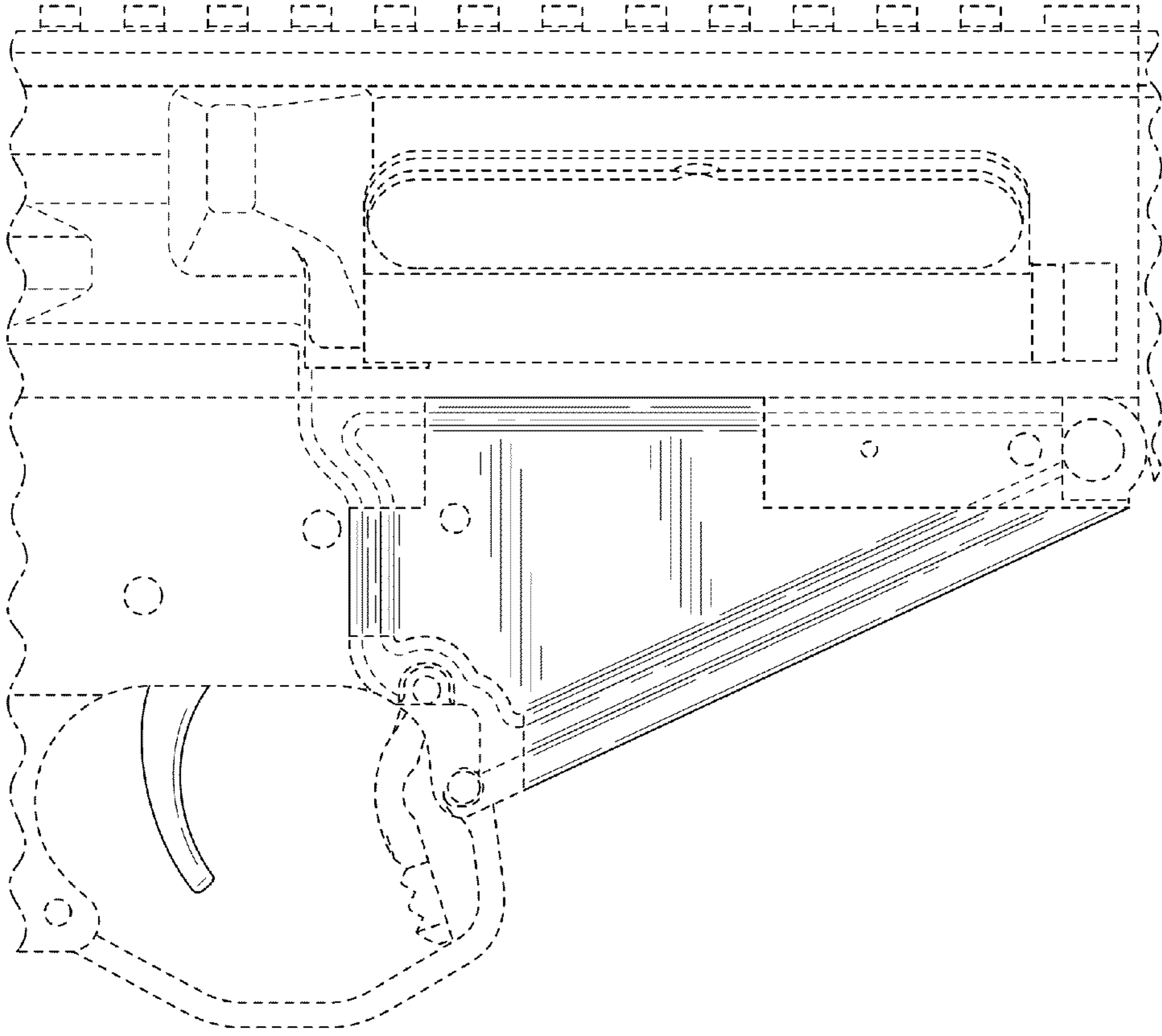


FIG. 3