



US00D740908S

(12) **United States Design Patent**
Tresserras Torre et al.

(10) **Patent No.:** **US D740,908 S**
(45) **Date of Patent:** **** Oct. 13, 2015**

(54) **FIREARM STOCK**

(71) Applicants: **Victor Tresserras Torre**, Barcelona (ES);
Julian Arnedo Vera, Barcelona (ES)

(72) Inventors: **Victor Tresserras Torre**, Barcelona (ES);
Julian Arnedo Vera, Barcelona (ES)

(73) Assignee: **GAMO Outdoor, S.L.**, Barcelona (ES)

(**) Term: **14 Years**

(21) Appl. No.: **29/491,098**

(22) Filed: **May 16, 2014**

Related U.S. Application Data

(62) Division of application No. 29/445,726, filed on Feb. 15, 2013, now Pat. No. Des. 712,996.

(51) **LOC (10) Cl.** **22-01**

(52) **U.S. Cl.**
USPC **D22/108**

(58) **Field of Classification Search**
USPC D22/103, 108; D21/572, 573; 42/51,
42/90, 71.01, 71.02, 73, 75.01, 75.02;
362/160; 89/40.06, 37.04, 33.04;
33/334
CPC F41C 23/00; F41C 23/02; F41C 23/04;
F41C 23/06; F41C 23/08; F41C 23/10;
F41C 23/12; F41C 23/14; F41C 23/16;
F41C 23/18; F41C 23/20; F41C 23/22;
F41C 7/02; F41C 7/04; F41C 7/06; F41C
7/11; F41C 7/12

See application file for complete search history.

(56) **References Cited**

U.S. PATENT DOCUMENTS

1,569,901 A	1/1926	Viridin	
3,060,809 A	10/1962	Ernst	
3,177,863 A *	4/1965	Spack	124/76
4,735,007 A	4/1988	Gal	
D346,846 S *	5/1994	Eberle	D22/108
5,349,939 A *	9/1994	Perrone	124/76
5,711,102 A	1/1998	Plaster et al.	
D391,334 S *	2/1998	Plaster et al.	D22/108
6,560,911 B2	5/2003	Sharp	
7,200,966 B2	4/2007	Goeder	
D551,312 S *	9/2007	Al-Mulla	D22/103
D559,938 S *	1/2008	Tom	D22/108
D631,526 S	1/2011	Torre et al.	
D637,681 S	5/2011	Bentley et al.	
D638,086 S	5/2011	Salva	
D657,841 S	4/2012	Peterson et al.	
D671,182 S	11/2012	Klotz	
D678,453 S	3/2013	Klotz	
D679,356 S	4/2013	Klotz	

(Continued)

Primary Examiner — Michael A Pratt

(74) *Attorney, Agent, or Firm* — RatnerPrestia

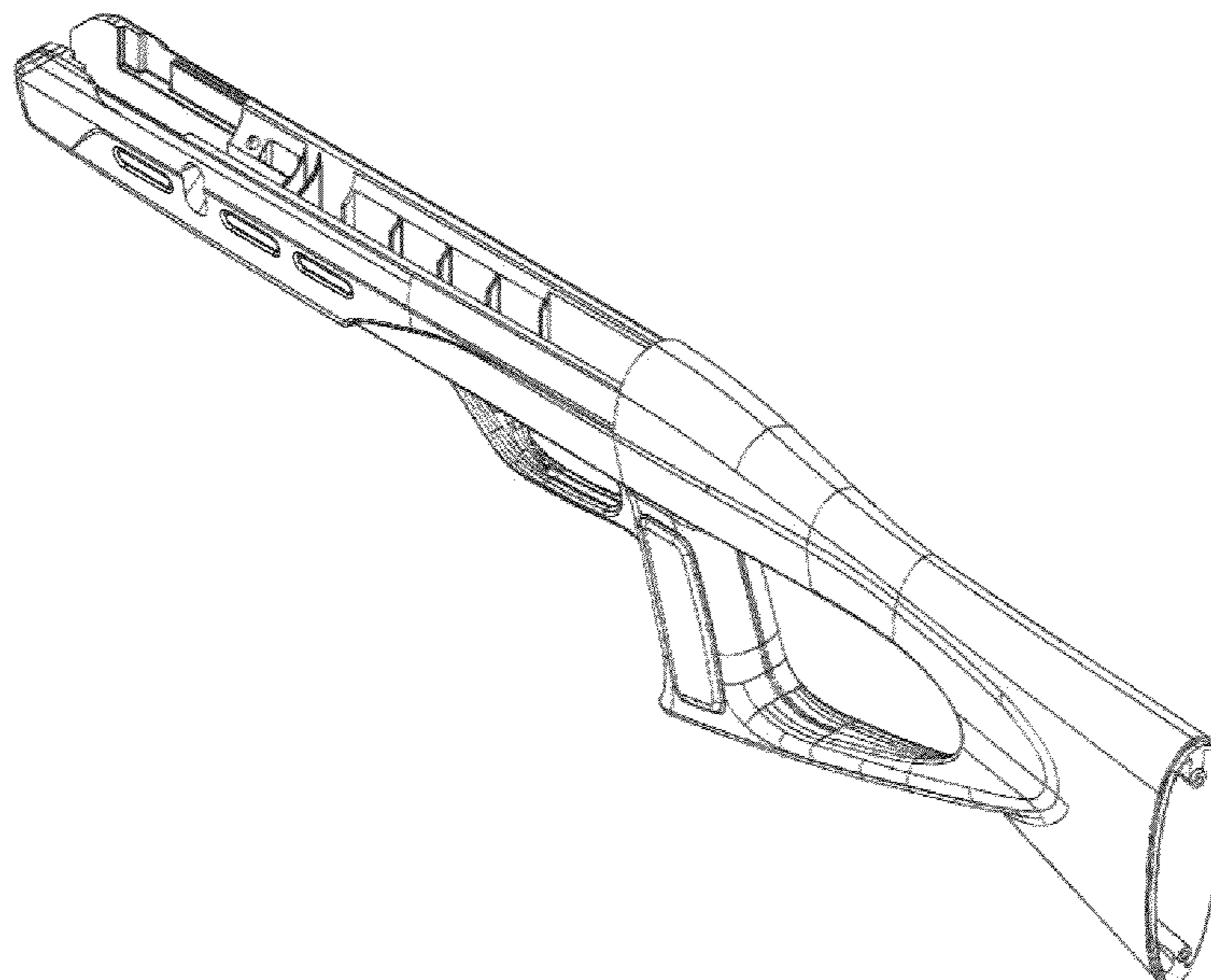
(57) **CLAIM**

The ornamental design for a firearm stock, as shown and described.

DESCRIPTION

FIG. 1 is a perspective view facing rearward of a left hand side of a firearm stock in accordance with this invention. FIG. 2 is a lefthand side view of the firearm stock of FIG. 1. FIG. 3 is a right hand side view of the firearm stock of FIG. 1. FIG. 4 is a front view of the firearm stock of FIG. 1. FIG. 5 is a rear view of the firearm stock of FIG. 1. FIG. 6 is a top view of the firearm stock of FIG. 1; and, FIG. 7 is a bottom view of the firearm stock of FIG. 1.

1 Claim, 4 Drawing Sheets



US D740,908 S

Page 2

(56)

References Cited

U.S. PATENT DOCUMENTS

D687,507 S *	8/2013	Vaicunas et al.	D22/107	2003/0192223 A1*	10/2003	Sharp	42/94
D692,514 S *	10/2013	Vera et al.	D22/108	2005/0011101 A1	1/2005	Gooder	
2002/0050088 A1*	5/2002	Sharp	42/73	2005/0235546 A1*	10/2005	Wonisch et al.	42/75.01
				2007/0137087 A1*	6/2007	Florea et al.	42/90

* cited by examiner

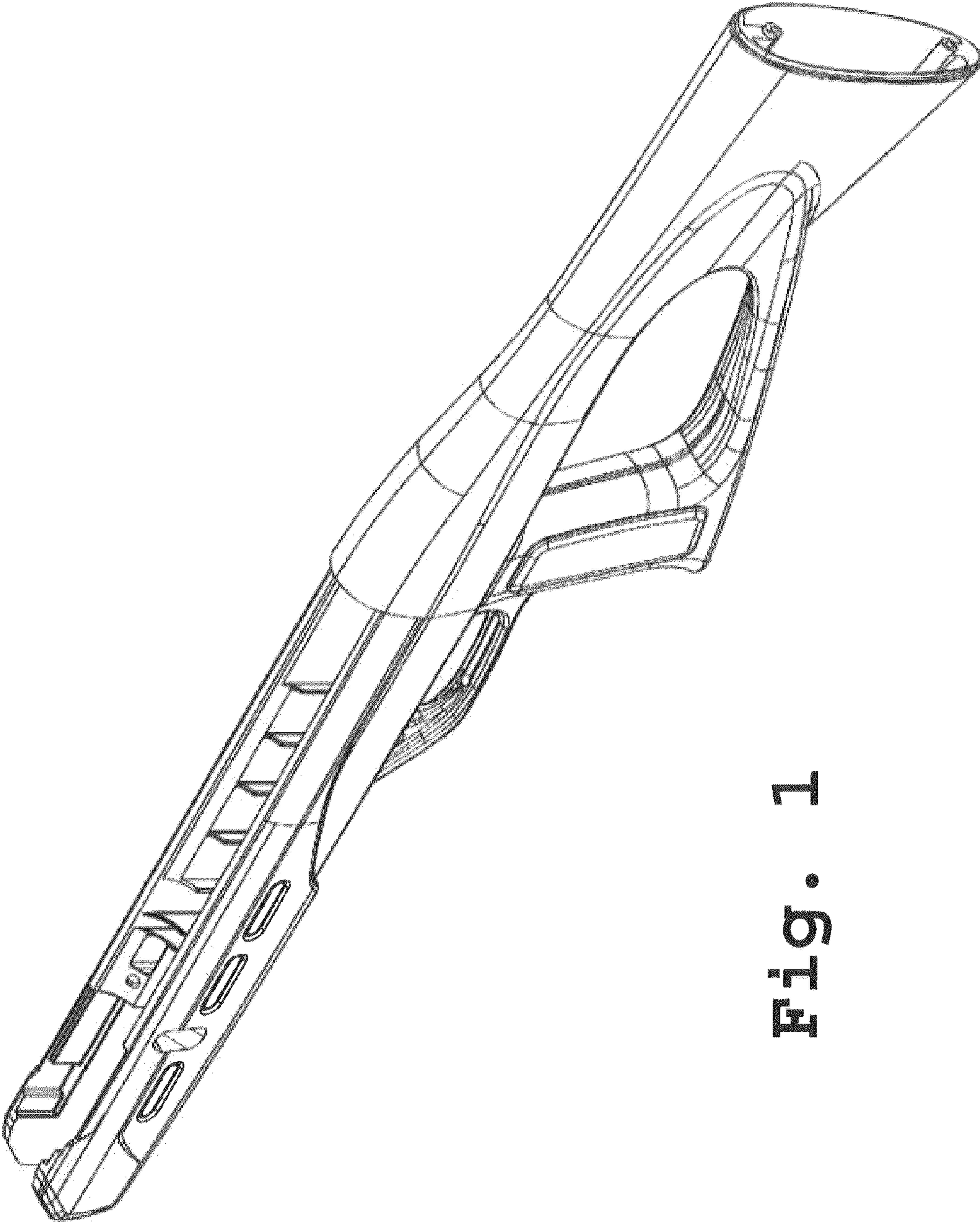


Fig. 1

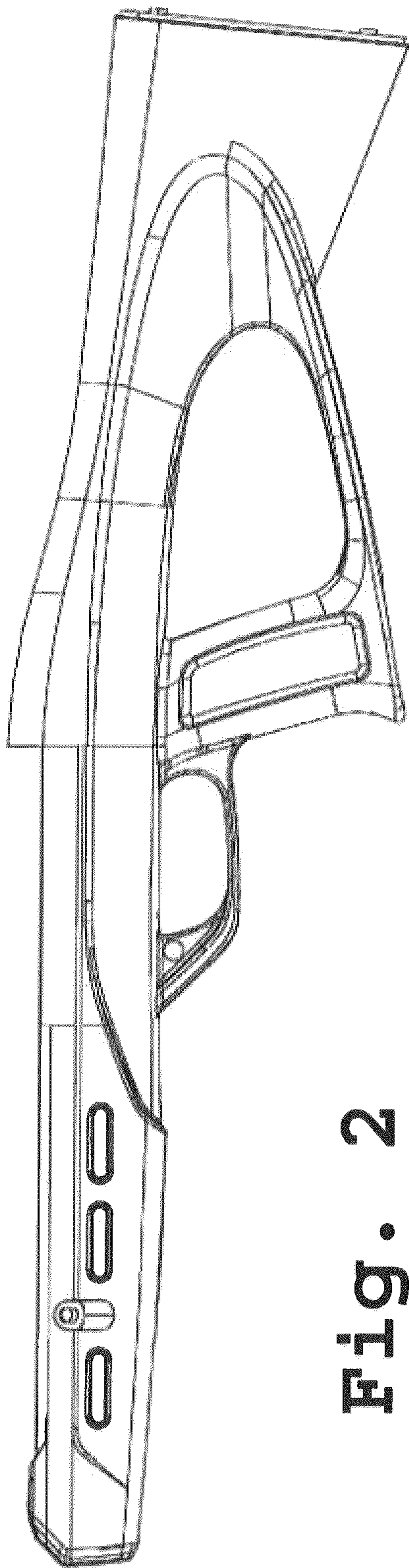


Fig. 2

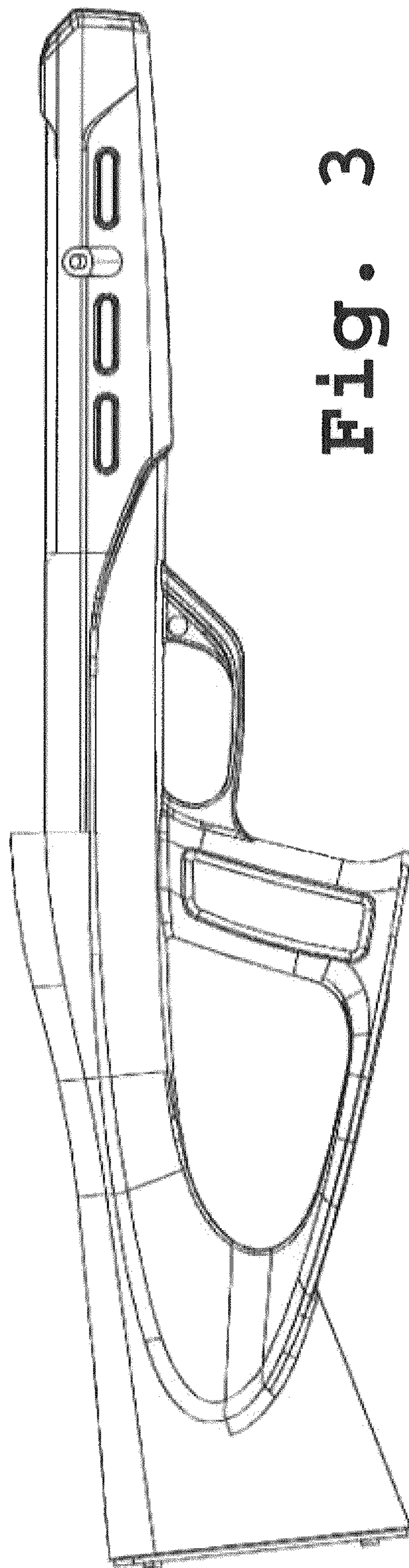


Fig. 3

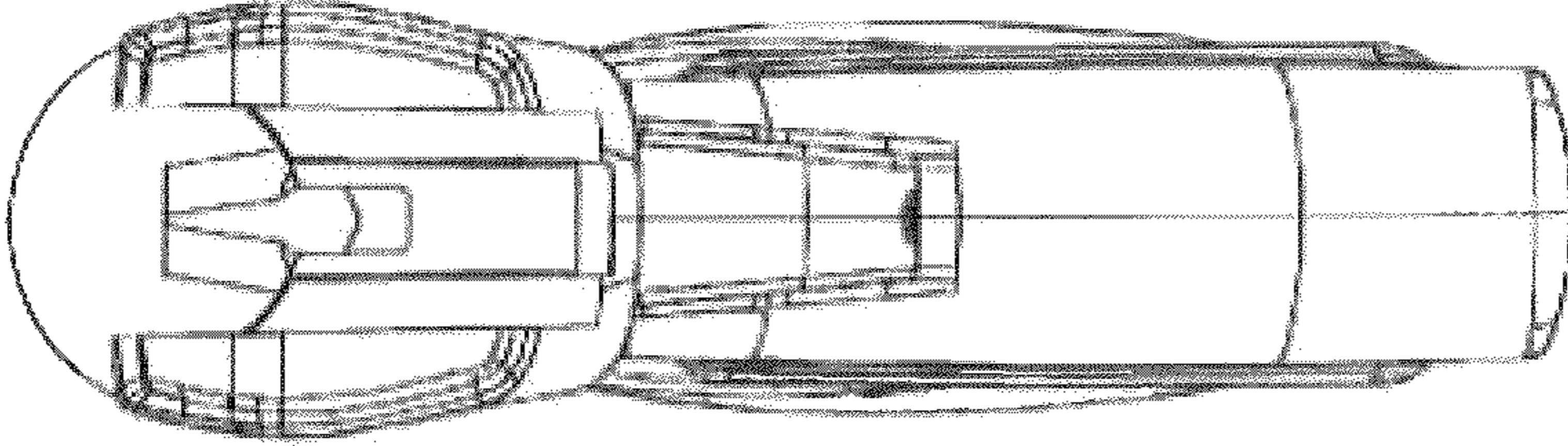


Fig. 4

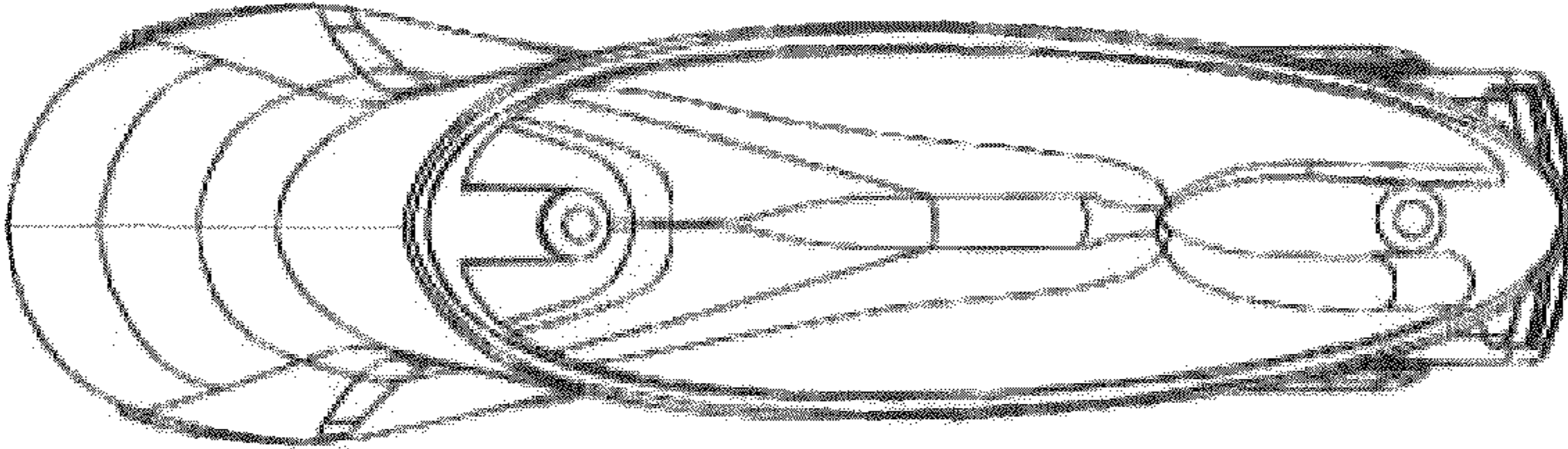


Fig. 5

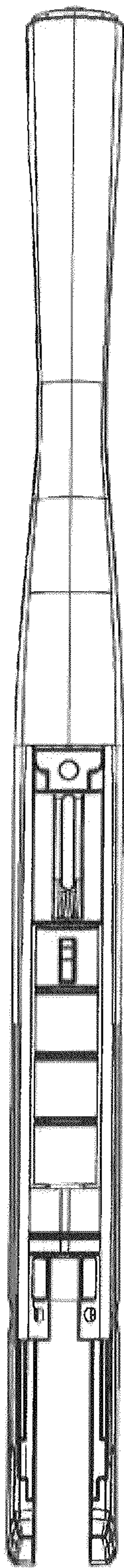


Fig. 6

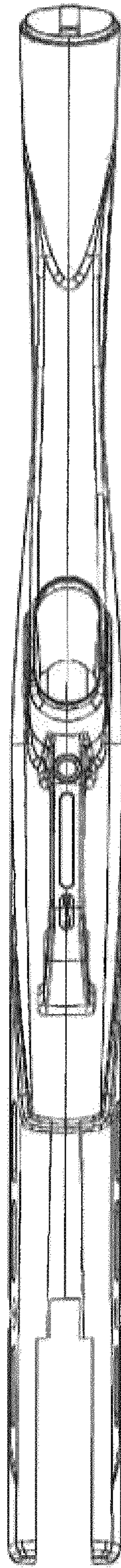


Fig. 7