



US00D740907S

(12) **United States Design Patent**
Oglesby

(10) **Patent No.:** **US D740,907 S**

(45) **Date of Patent:** **** Oct. 13, 2015**

(54) **TRIGGER**

(71) Applicant: **Paul Oglesby**, Darley (GB)

(72) Inventor: **Paul Oglesby**, Darley (GB)

(**) Term: **14 Years**

(21) Appl. No.: **29/488,153**

(22) Filed: **Apr. 16, 2014**

(51) **LOC (10) Cl.** **22-01**

(52) **U.S. Cl.**
USPC **D22/108**

(58) **Field of Classification Search**
USPC D22/103, 108; 89/37.04; 124/72, 74,
124/31; 42/42.02–42.03, 70.07
CPC F41A 17/46; F41A 19/10
See application file for complete search history.

(56) **References Cited**

U.S. PATENT DOCUMENTS

4,617,749	A *	10/1986	Jurek	42/16
4,640,036	A *	2/1987	Gal	42/72
D462,105	S *	8/2002	Myers	D22/108
D504,168	S *	4/2005	McCormick	D22/108
D593,617	S *	6/2009	Dochterman	D21/573
D596,693	S *	7/2009	Nakayama	D22/108
D627,415	S *	11/2010	Finn	D22/108
D636,832	S *	4/2011	Mayberry et al.	D22/108
D659,790	S *	5/2012	Geissele	D22/108
D702,801	S *	4/2014	Larson et al.	D22/108
D716,404	S *	10/2014	Capps et al.	D22/108
2013/0192116	A1 *	8/2013	Elftmann, Jr.	42/69.01
2014/0068989	A1 *	3/2014	Bender	42/69.01

* cited by examiner

Primary Examiner — Michael A Pratt

(74) *Attorney, Agent, or Firm* — Shaddock Law Group, PC

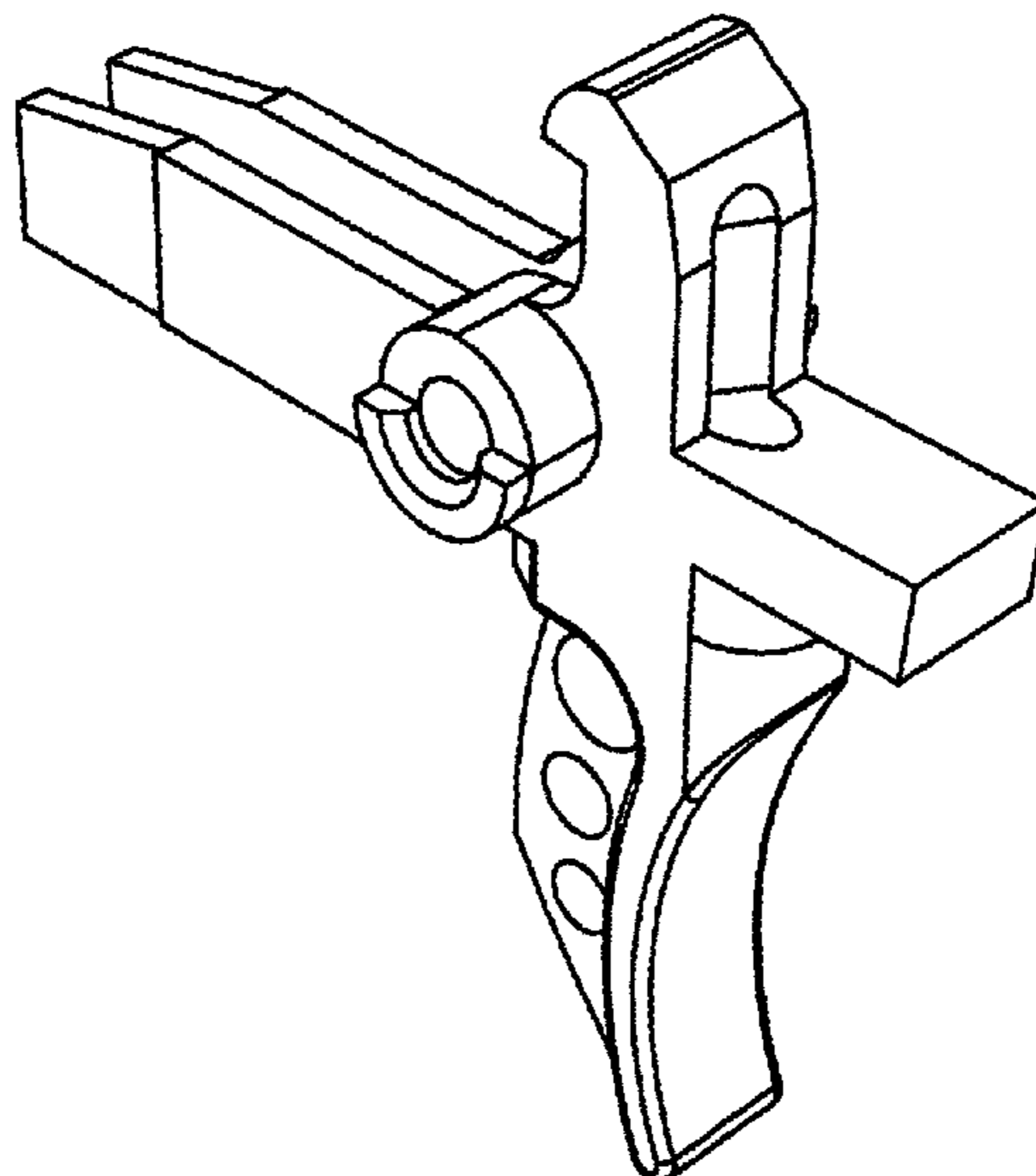
(57) **CLAIM**

The ornamental design for a trigger, as shown and described.

DESCRIPTION

FIG. 1 is an upper front perspective view of a first exemplary embodiment of the trigger, showing my new design;
 FIG. 2 is a rear perspective view thereof;
 FIG. 3 is a left side view thereof;
 FIG. 4 is a right side view thereof;
 FIG. 5 is a front plan view thereof;
 FIG. 6 is a rear plan view thereof;
 FIG. 7 is a bottom view thereof;
 FIG. 8 is a top view thereof;
 FIG. 9 is an upper front perspective view of a second exemplary embodiment thereof;
 FIG. 10 is a rear perspective view of the second exemplary embodiment thereof;
 FIG. 11 is a left side view of the second exemplary embodiment thereof;
 FIG. 12 is a right side view of the second exemplary embodiment thereof;
 FIG. 13 is a front plan view of the second exemplary embodiment thereof;
 FIG. 14 is a rear plan view of the second exemplary embodiment thereof;
 FIG. 15 is a bottom view of the second exemplary embodiment thereof; and,
 FIG. 16 is a top view of the second exemplary embodiment thereof.

1 Claim, 8 Drawing Sheets



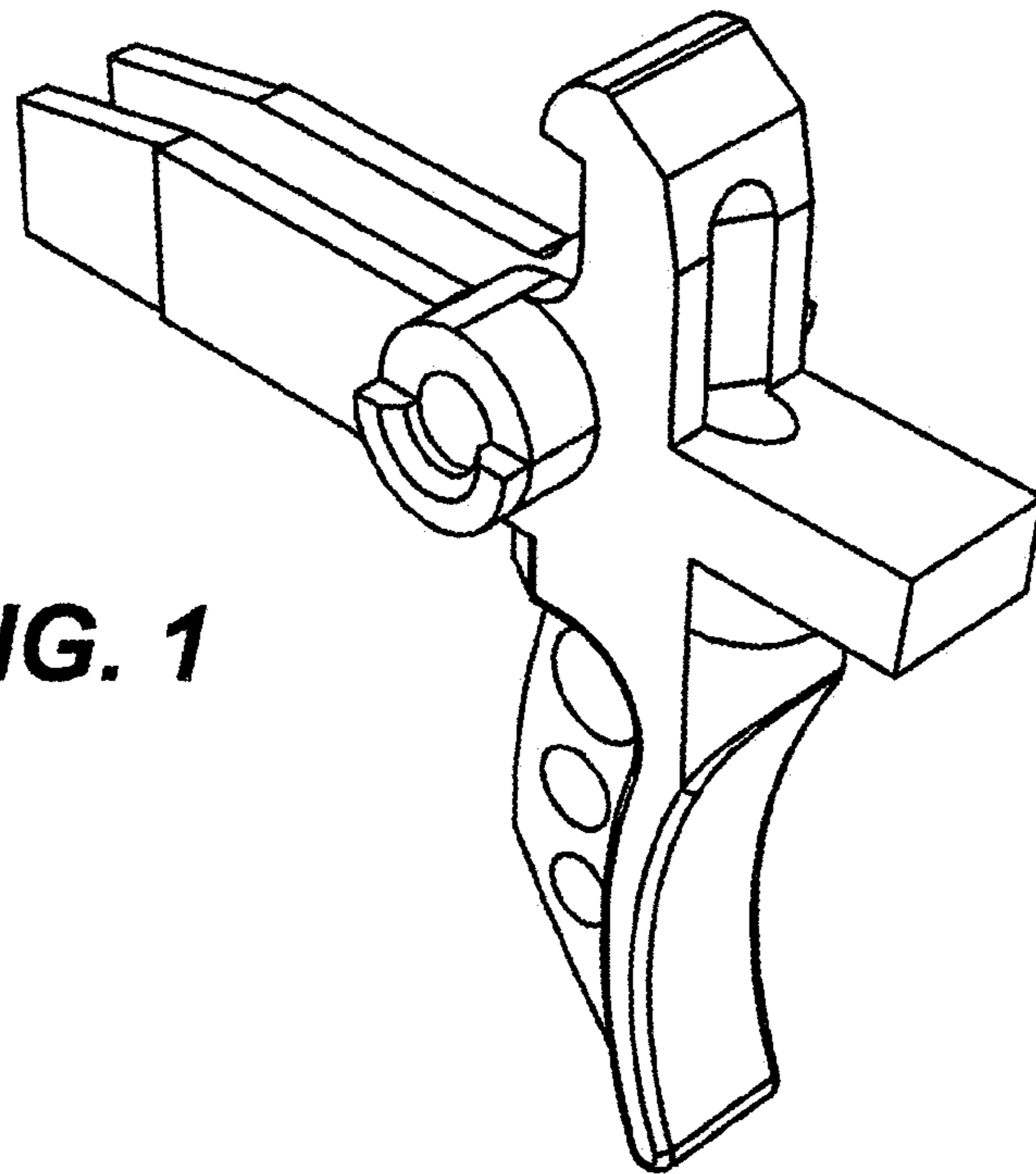


FIG. 1

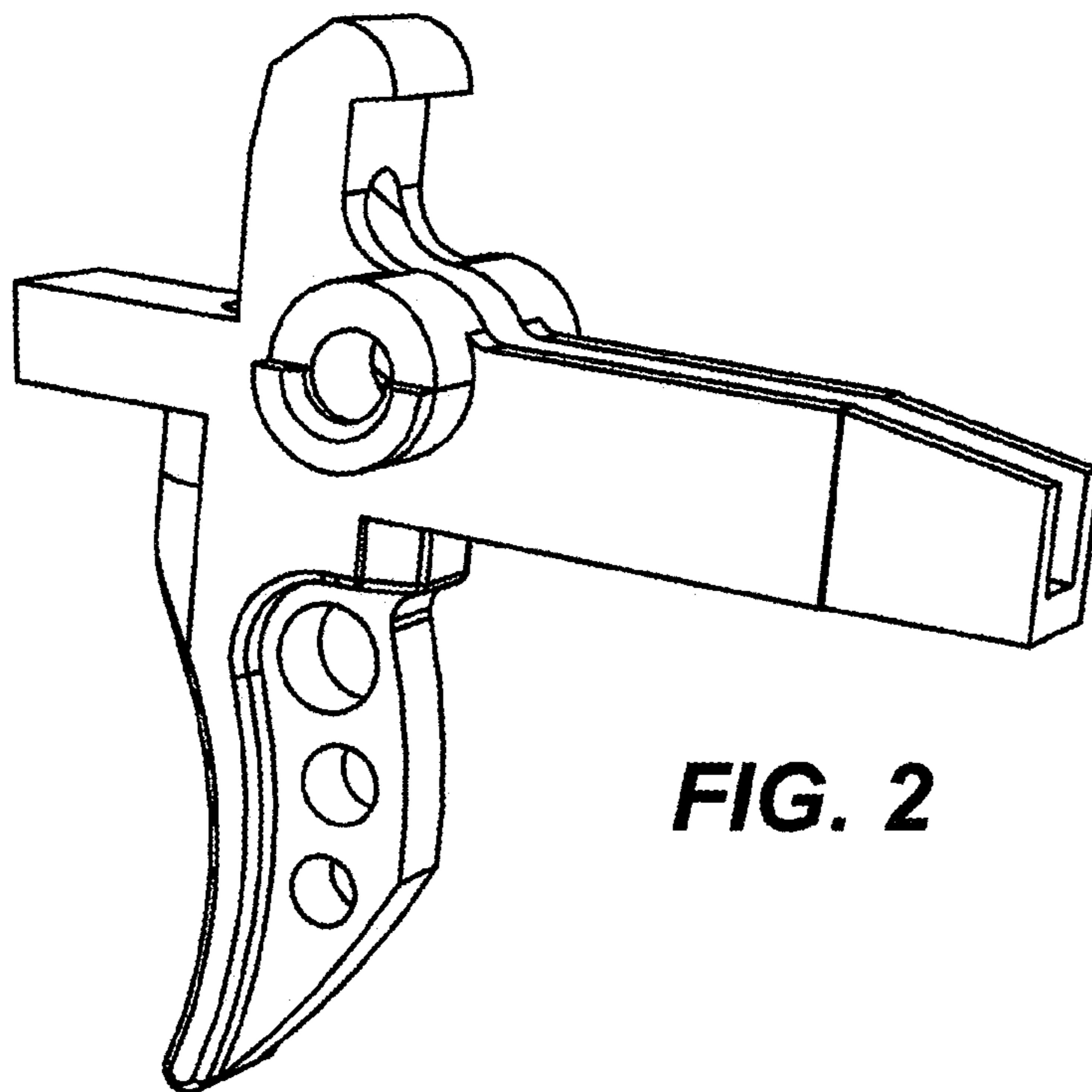


FIG. 2

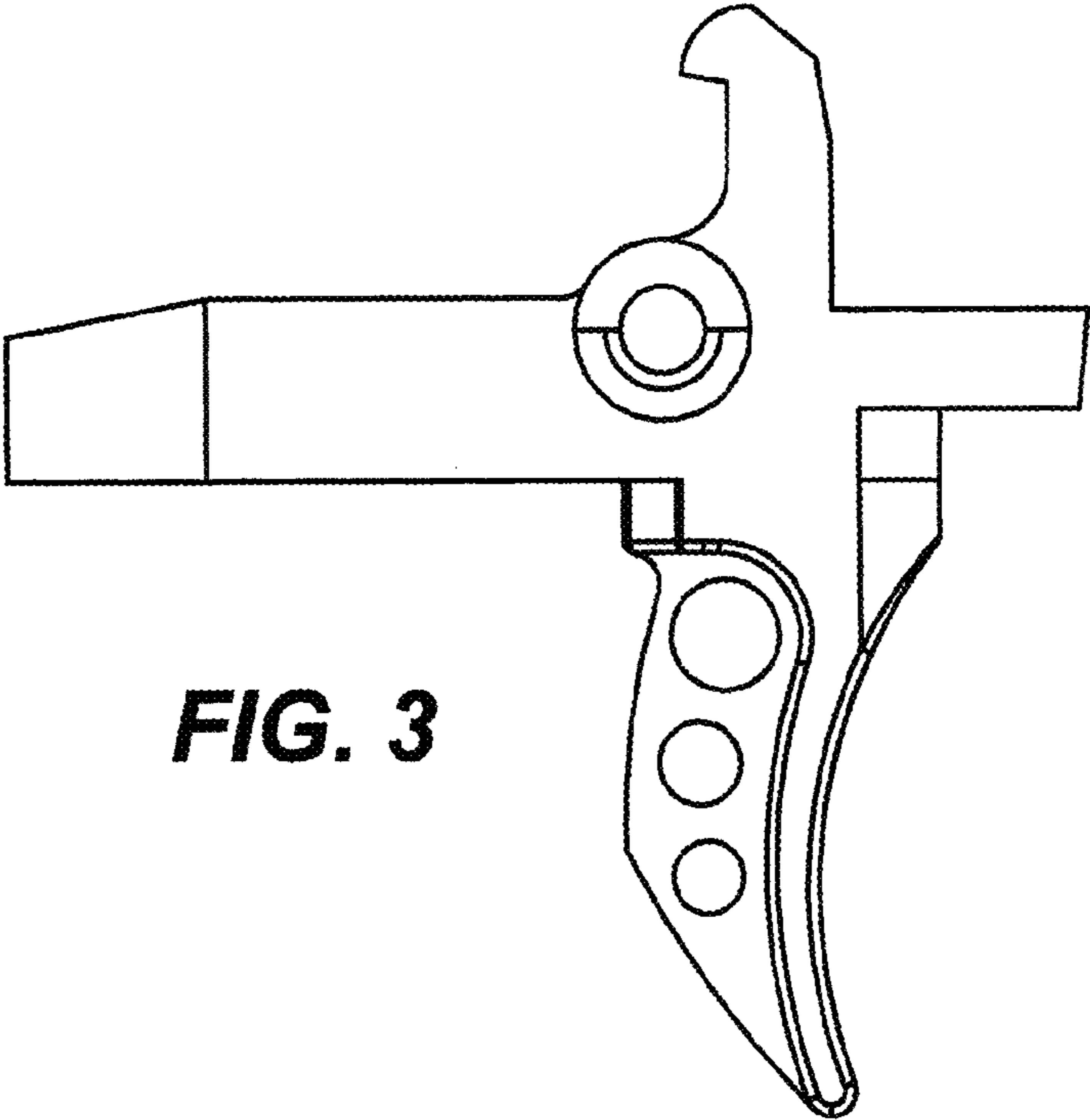


FIG. 3

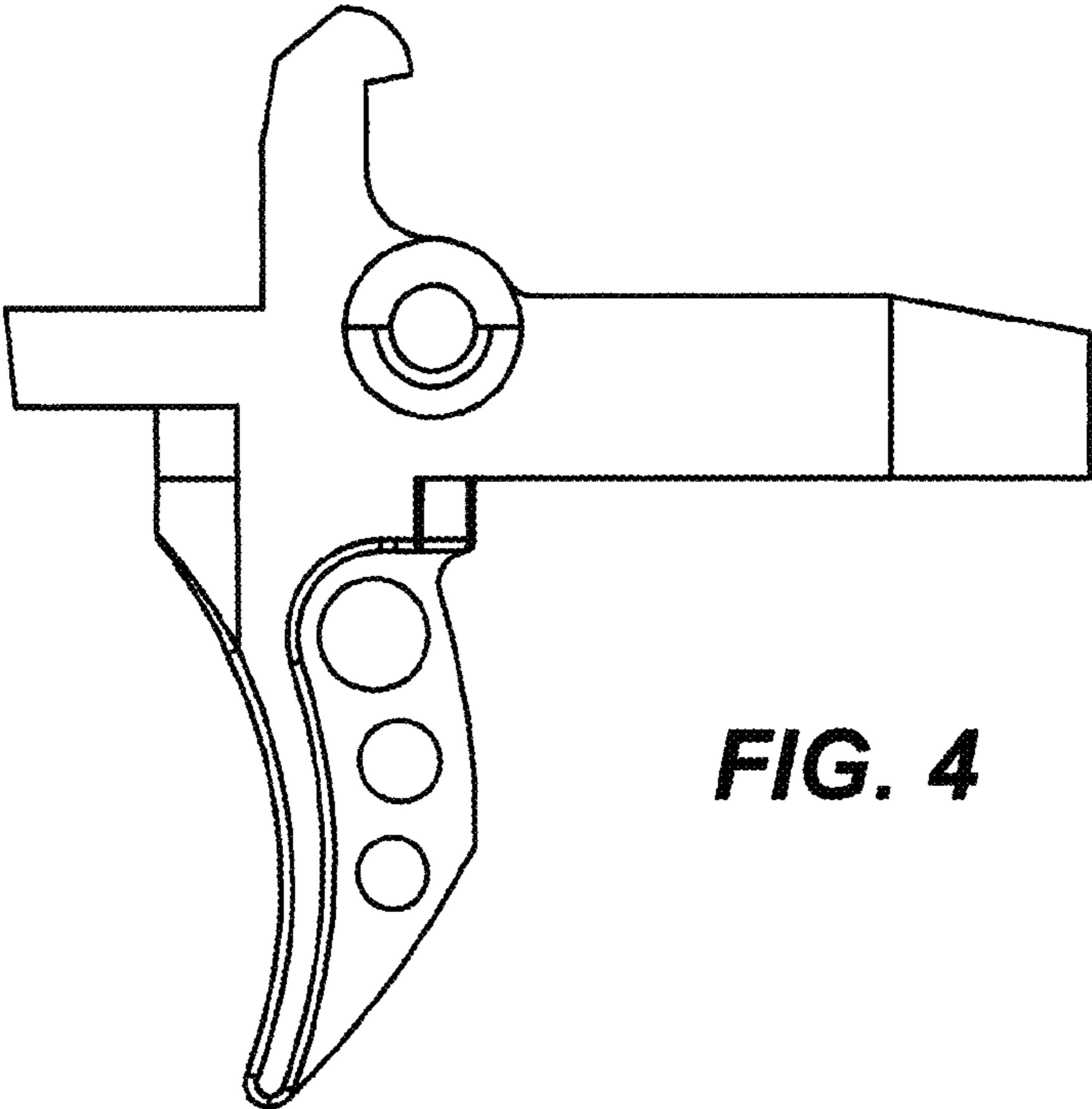


FIG. 4

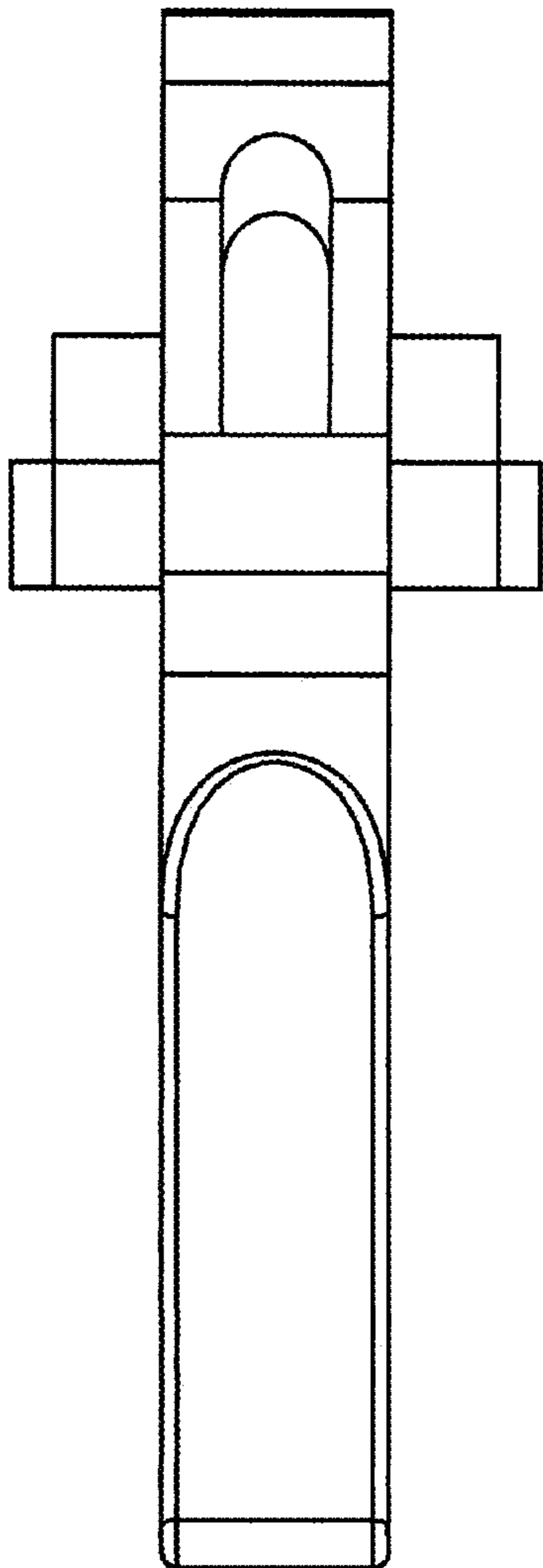


FIG. 5

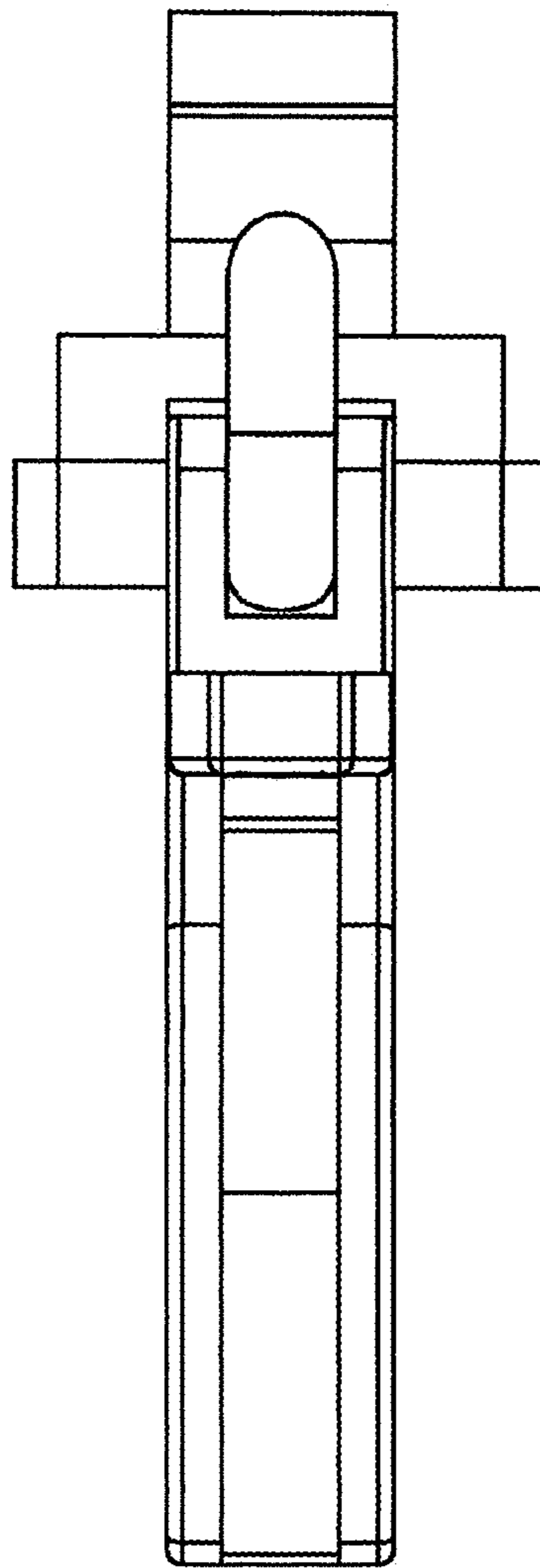


FIG. 6

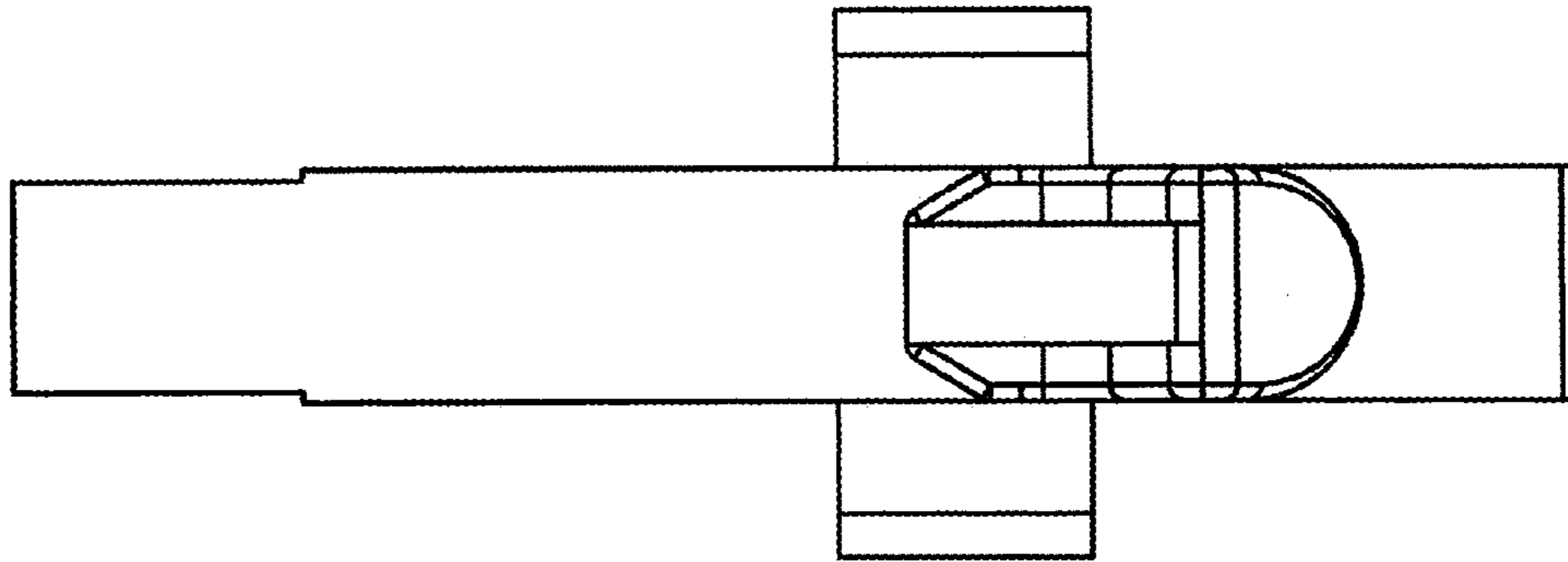


FIG. 7

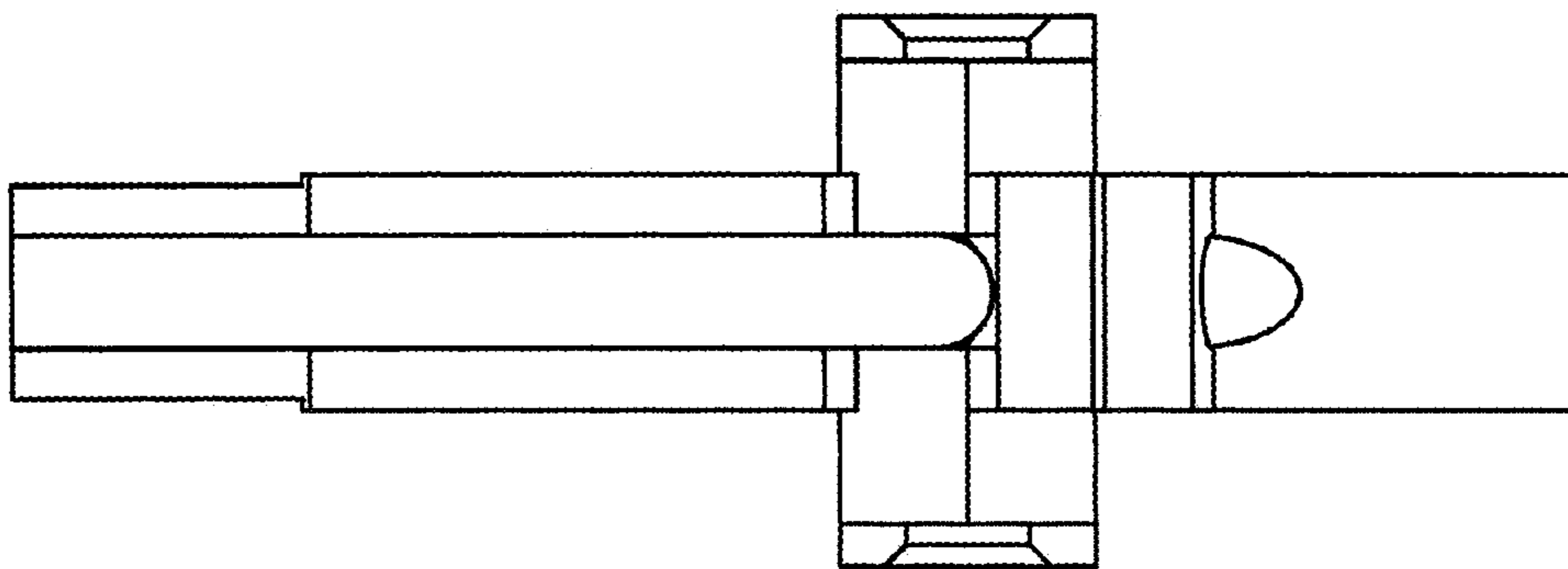


FIG. 8

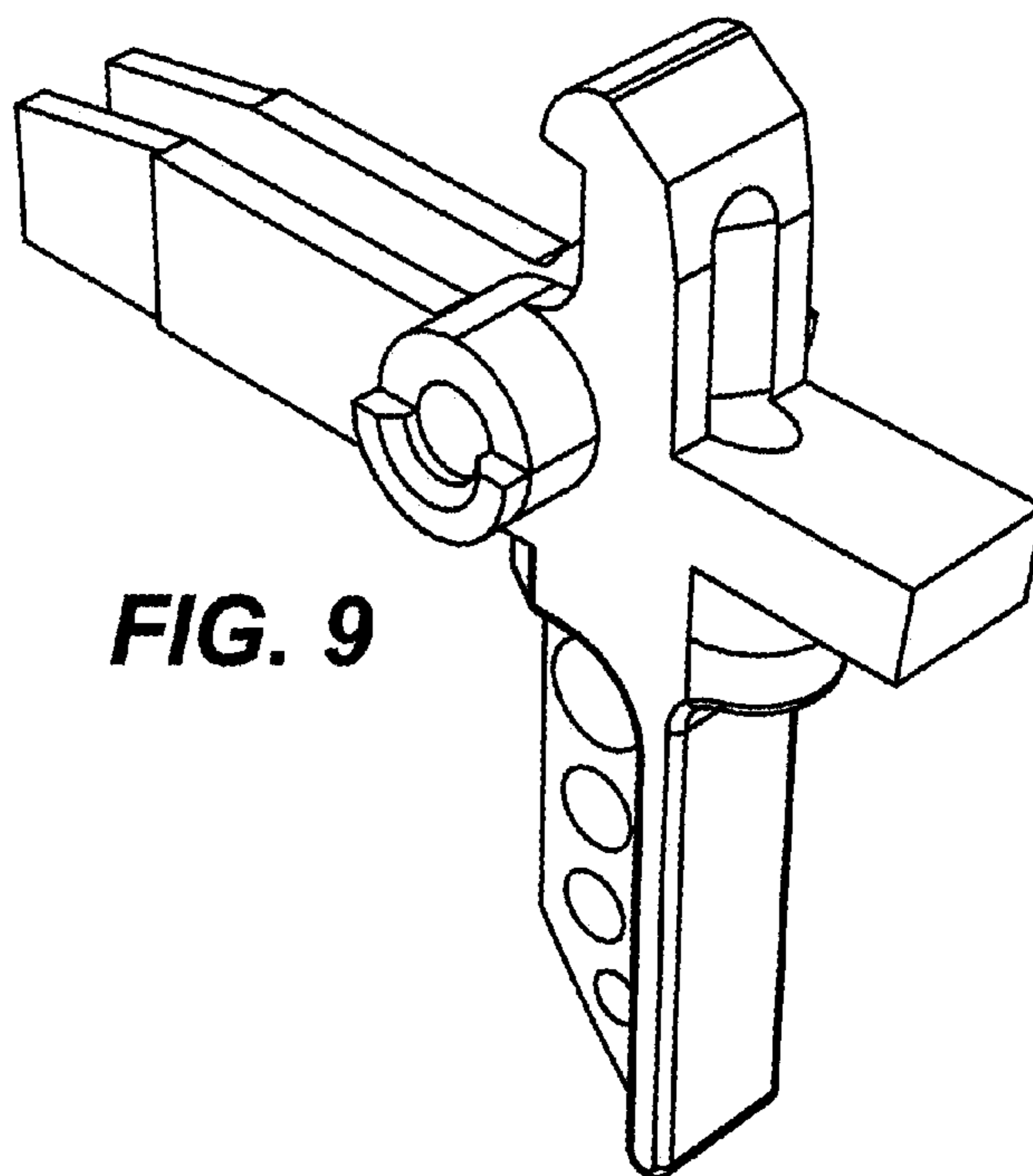


FIG. 9

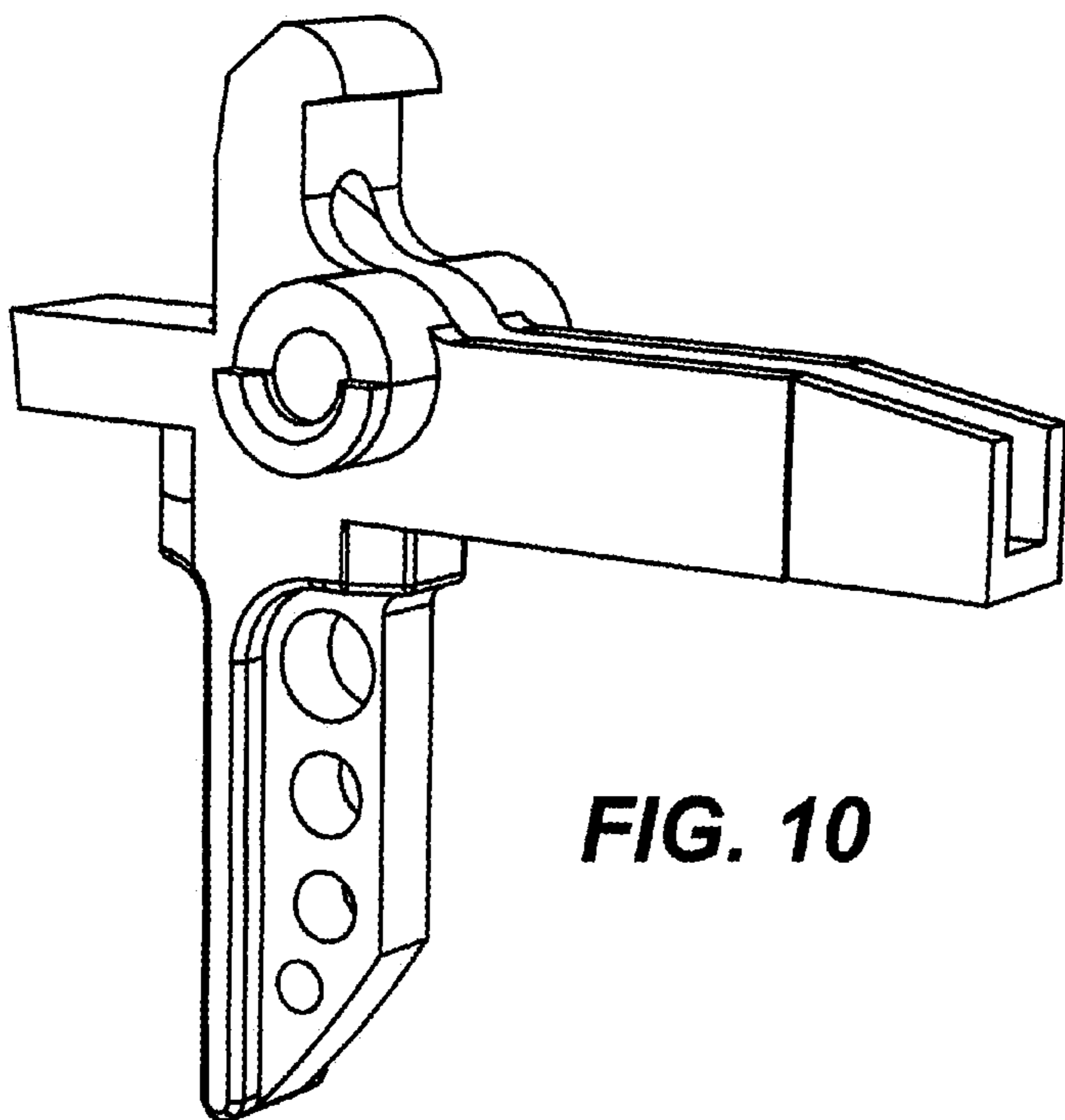
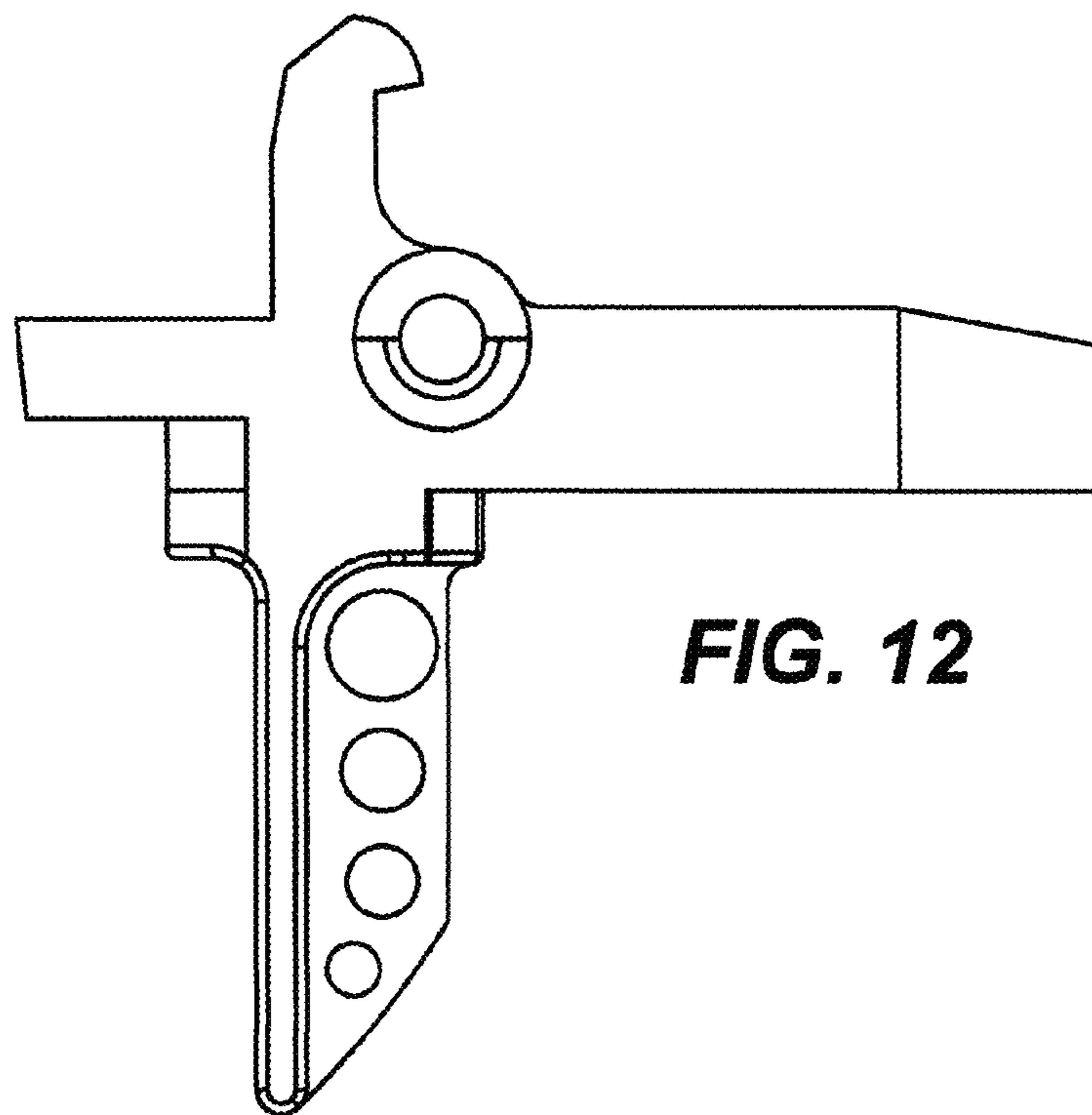
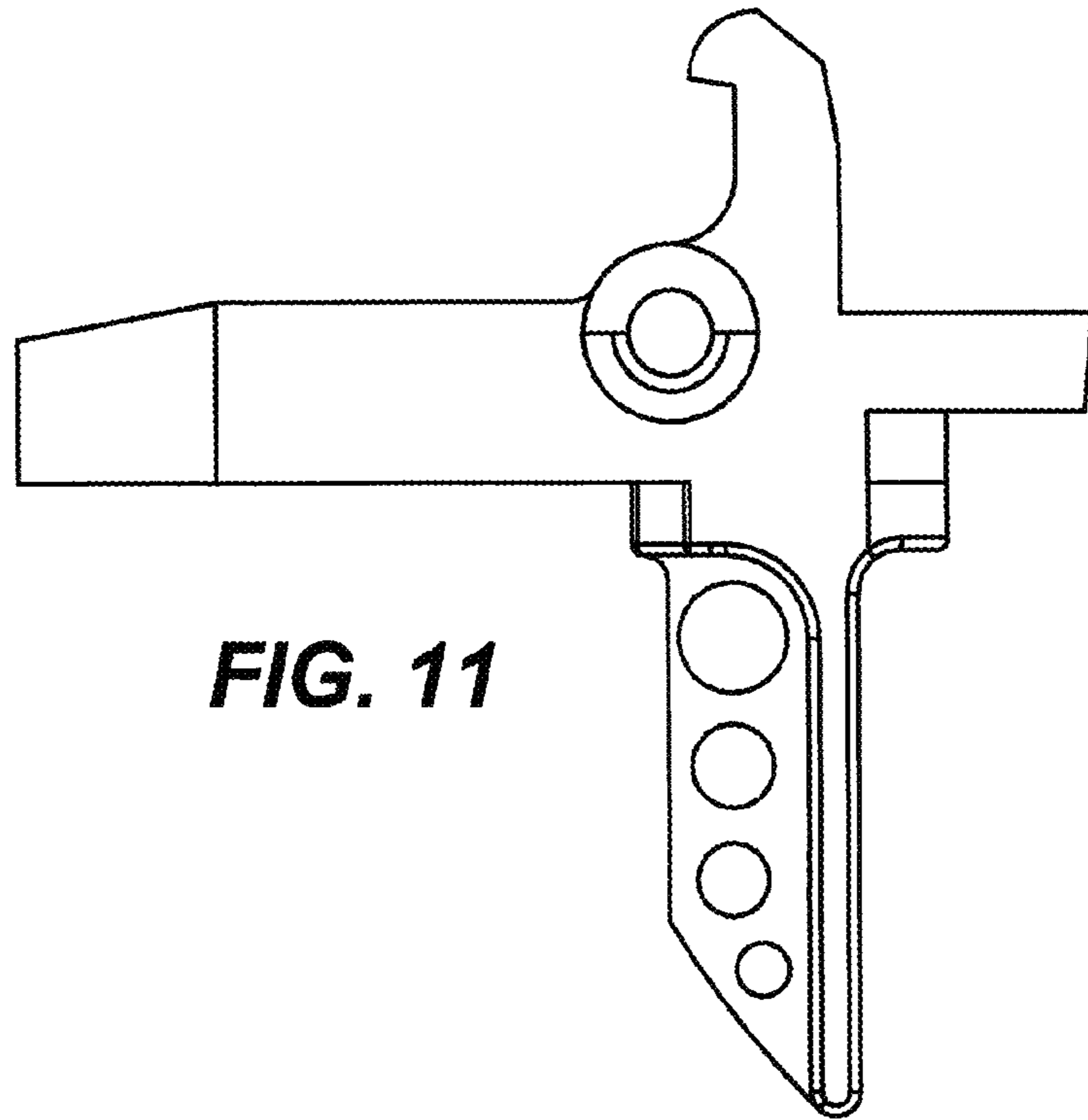


FIG. 10



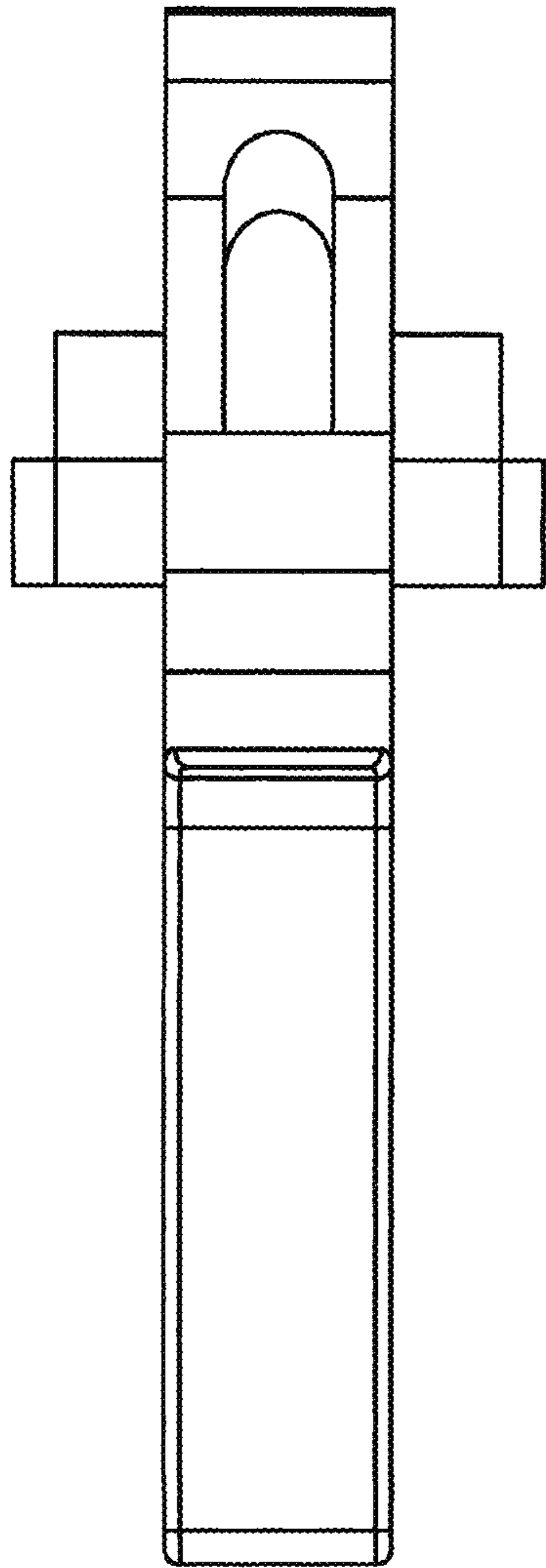


FIG. 13

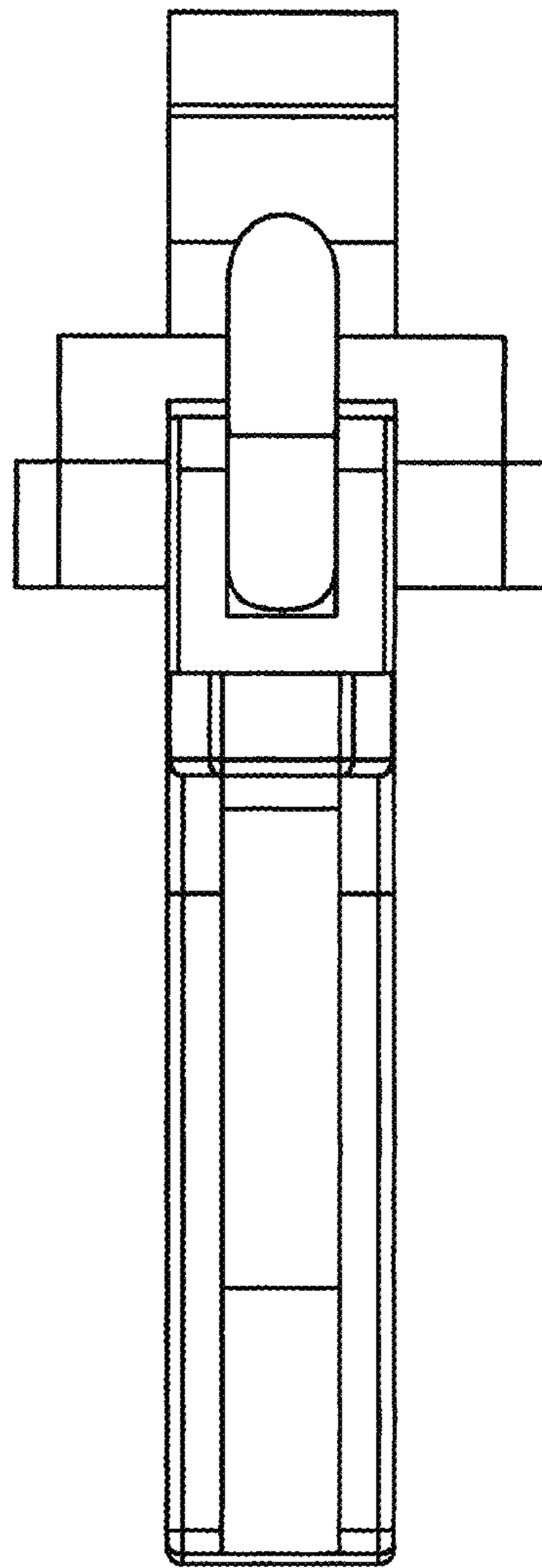


FIG. 14

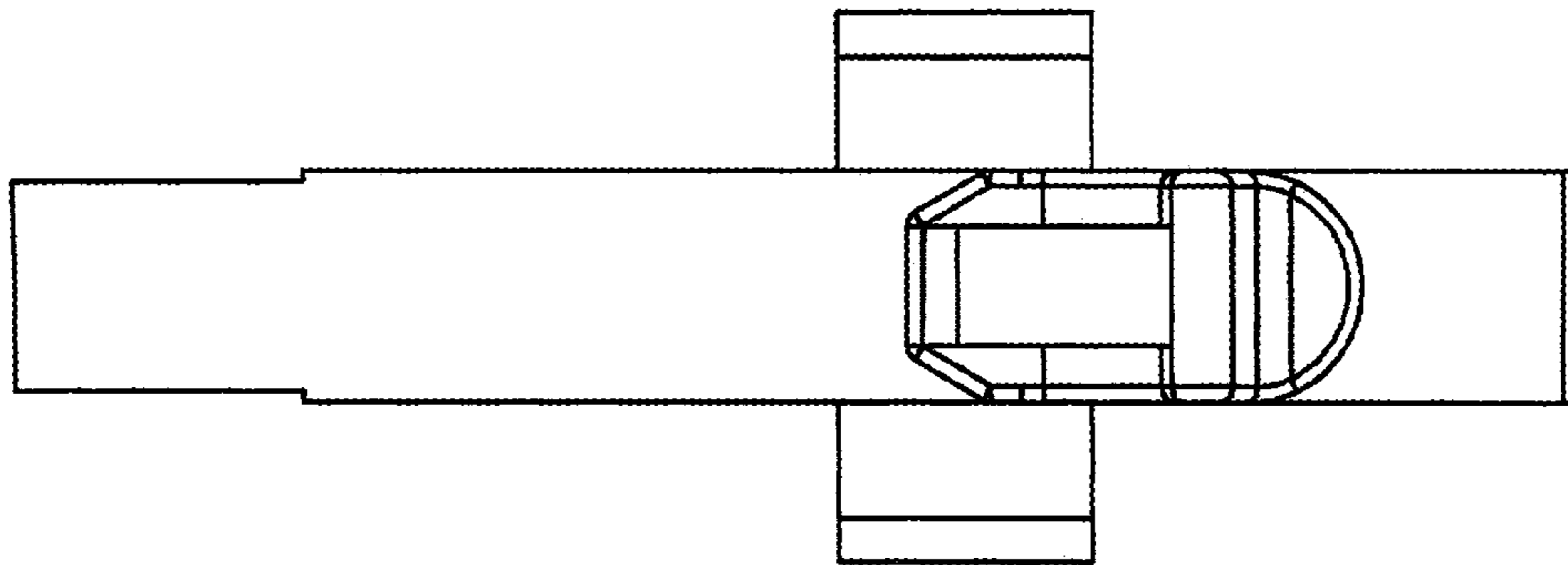


FIG. 15

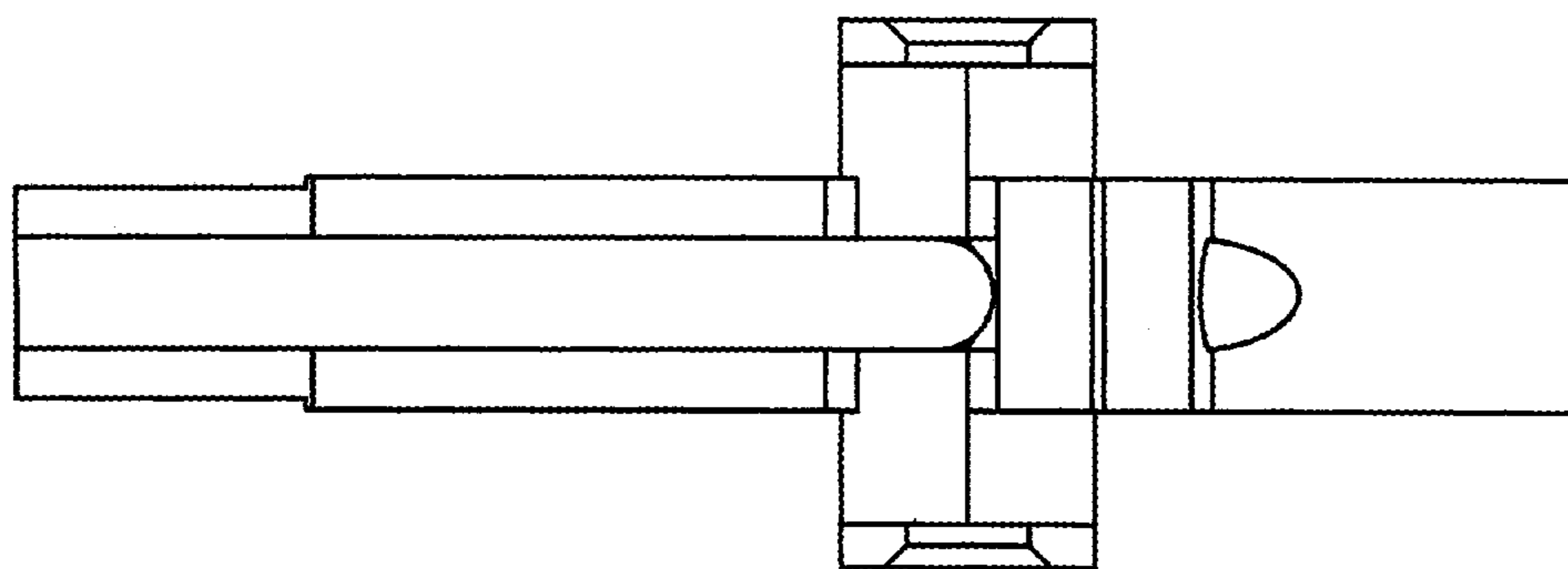


FIG. 16