



US00D740906S

(12) **United States Design Patent**
Oglesby

(10) **Patent No.:** **US D740,906 S**
(45) **Date of Patent:** **** Oct. 13, 2015**

(54) **HANDGUARD PANEL**

(71) Applicant: **Paul Oglesby**, Darley (GB)

(72) Inventor: **Paul Oglesby**, Darley (GB)

(**) Term: **14 Years**

(21) Appl. No.: **29/488,147**

(22) Filed: **Apr. 16, 2014**

(51) **LOC (10) Cl.** **22-01**

(52) **U.S. Cl.**
USPC **D22/108**

(58) **Field of Classification Search**
USPC D22/108; 362/109–114; 42/90, 94, 114,
42/117, 124–127, 131, 146
CPC F41C 23/10; F41C 23/14; F41C 23/16;
F41C 23/18
See application file for complete search history.

(56) **References Cited**

U.S. PATENT DOCUMENTS

6,725,594 B2 * 4/2004 Hines 42/90
7,363,741 B2 * 4/2008 DeSomma et al. 42/85
D625,378 S * 10/2010 Fitzpatrick et al. D22/108

7,845,105 B1 * 12/2010 Cahill 42/72
D704,791 S * 5/2014 Fitzpatrick et al. D22/108
D729,337 S * 5/2015 Boone D22/108
2010/0236124 A1 * 9/2010 Troy 42/90

* cited by examiner

Primary Examiner — Michael A Pratt

(74) *Attorney, Agent, or Firm* — Shaddock Law Group, PC

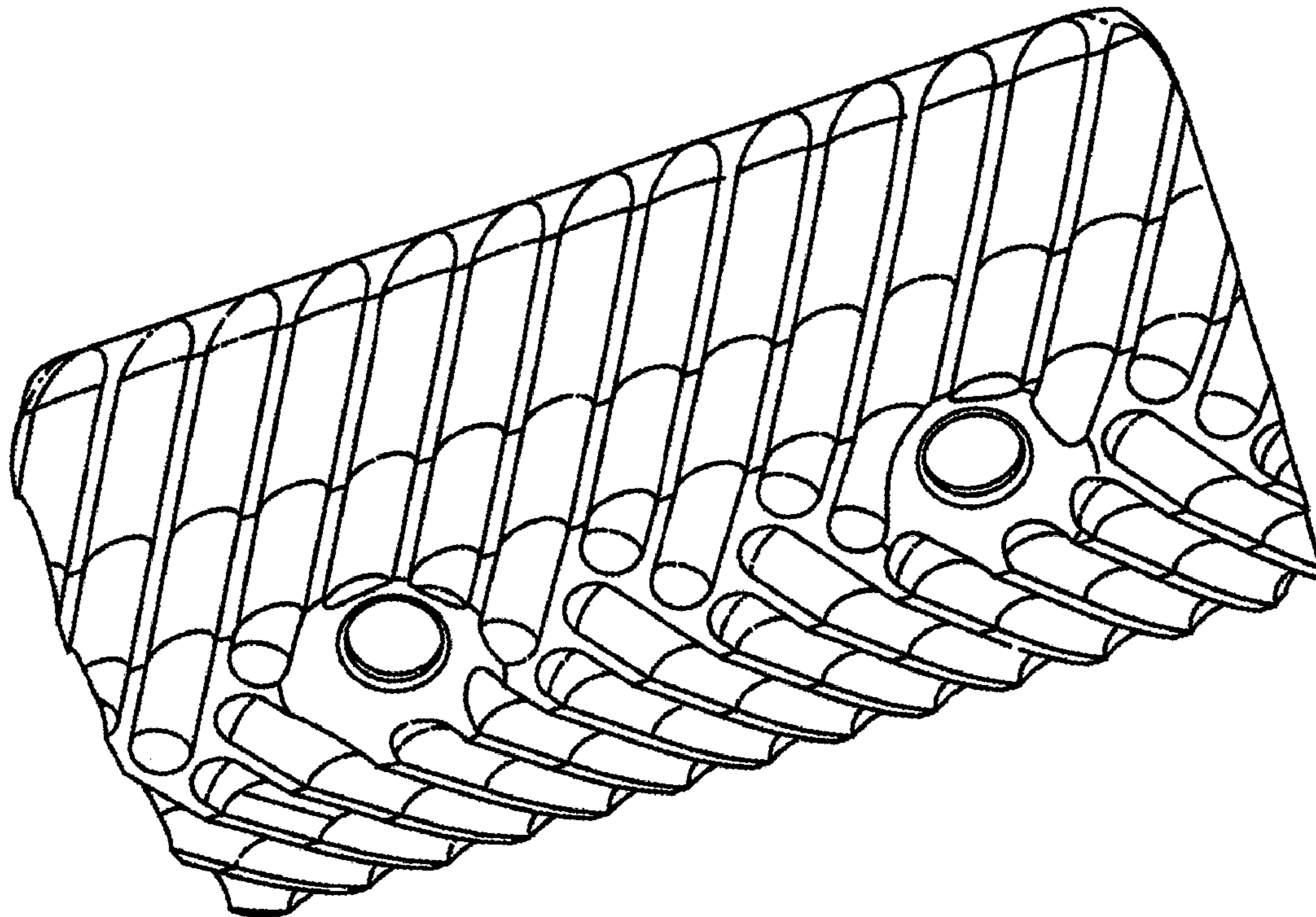
(57) **CLAIM**

The ornamental design for a handguard panel, as shown and described.

DESCRIPTION

FIG. 1 is an upper front perspective view of a first exemplary embodiment of the handguard panel, showing my new design;
FIG. 2 is a lower front perspective view thereof;
FIG. 3 is an upper rear perspective view thereof;
FIG. 4 is a front plan view thereof;
FIG. 5 is a rear plan view thereof;
FIG. 6 is a top plan view thereof;
FIG. 7 is a bottom view thereof;
FIG. 8 is a right side view thereof; and,
FIG. 9 is a left side view thereof.

1 Claim, 5 Drawing Sheets



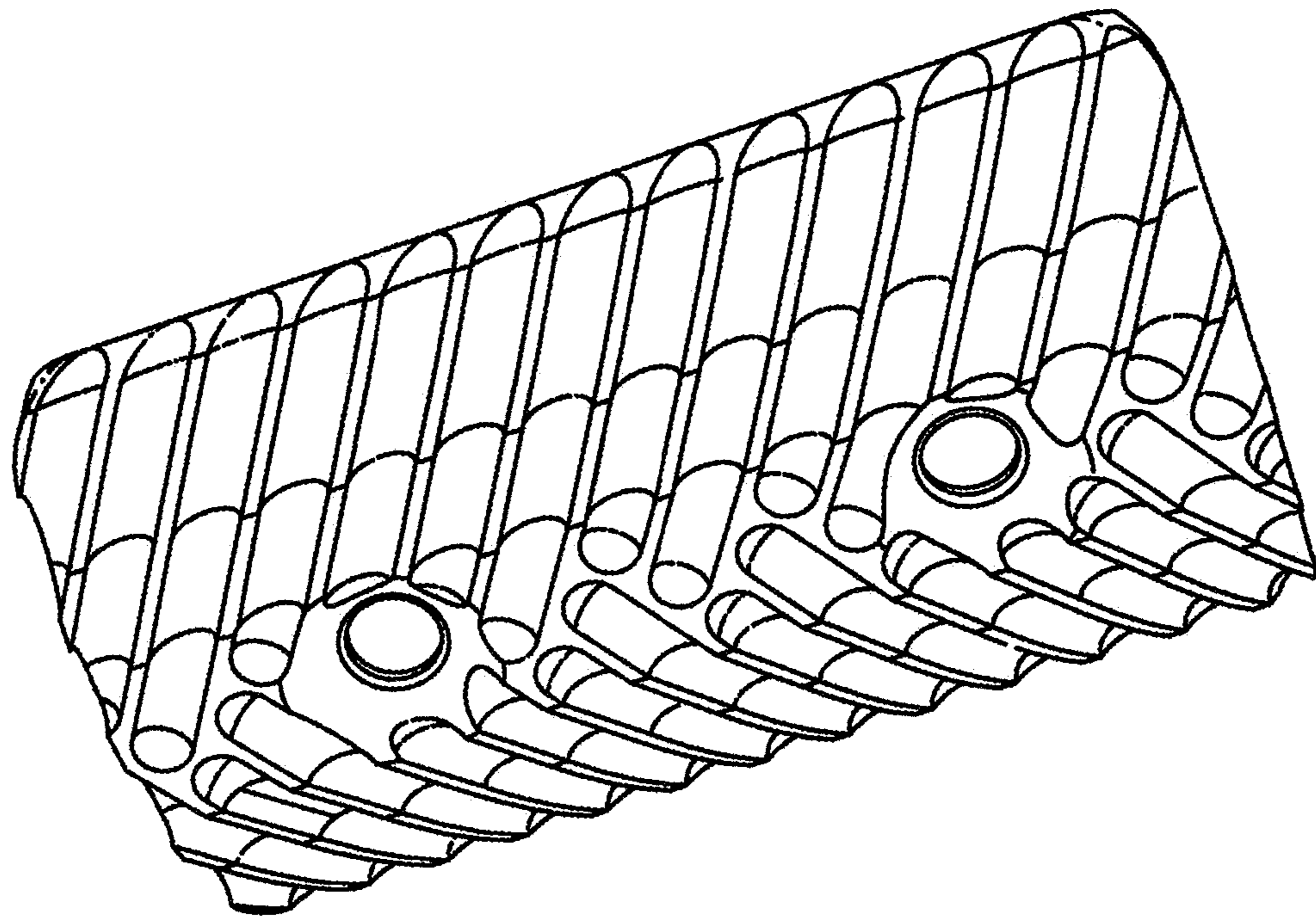


FIG. 1

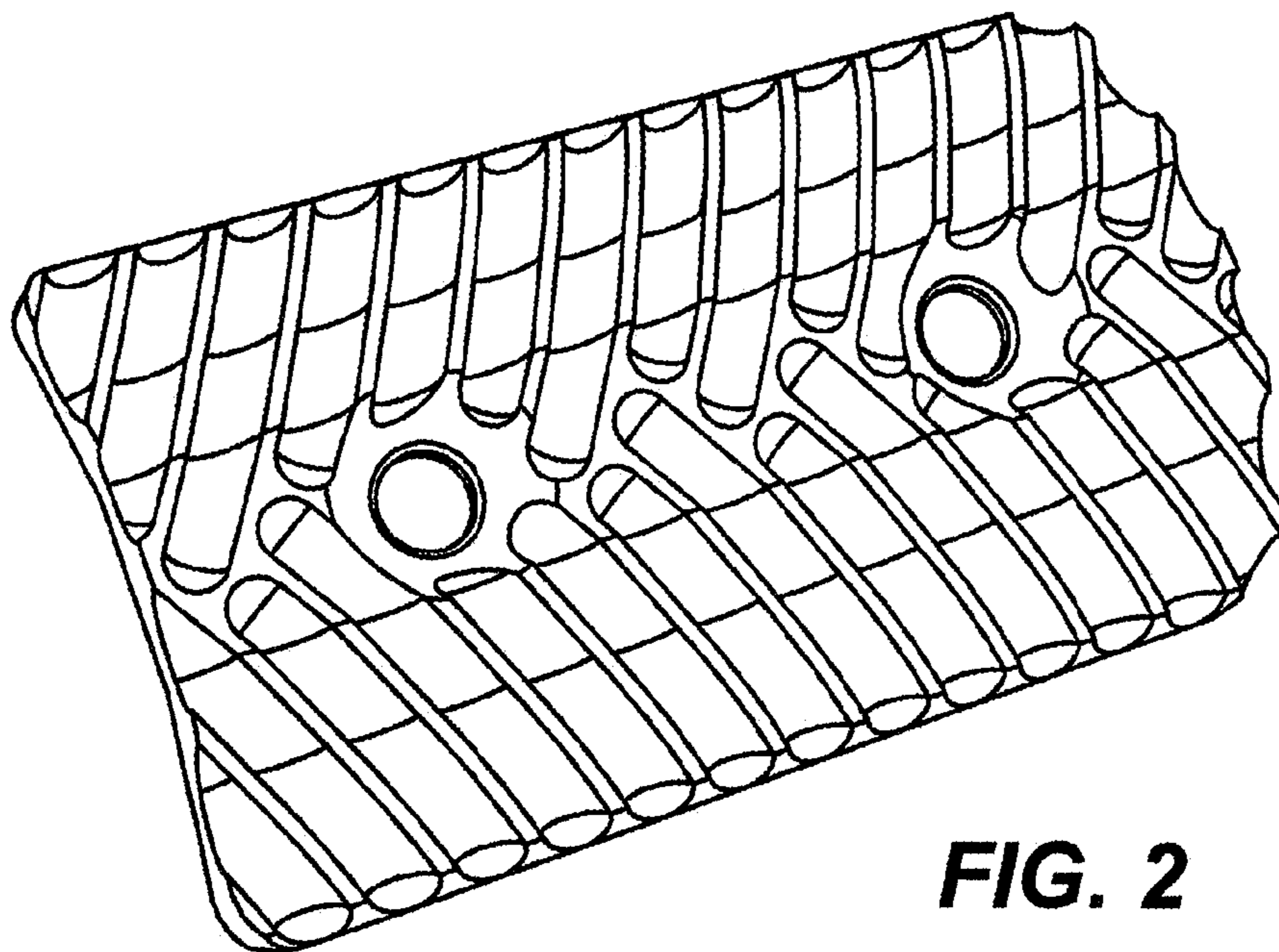


FIG. 2

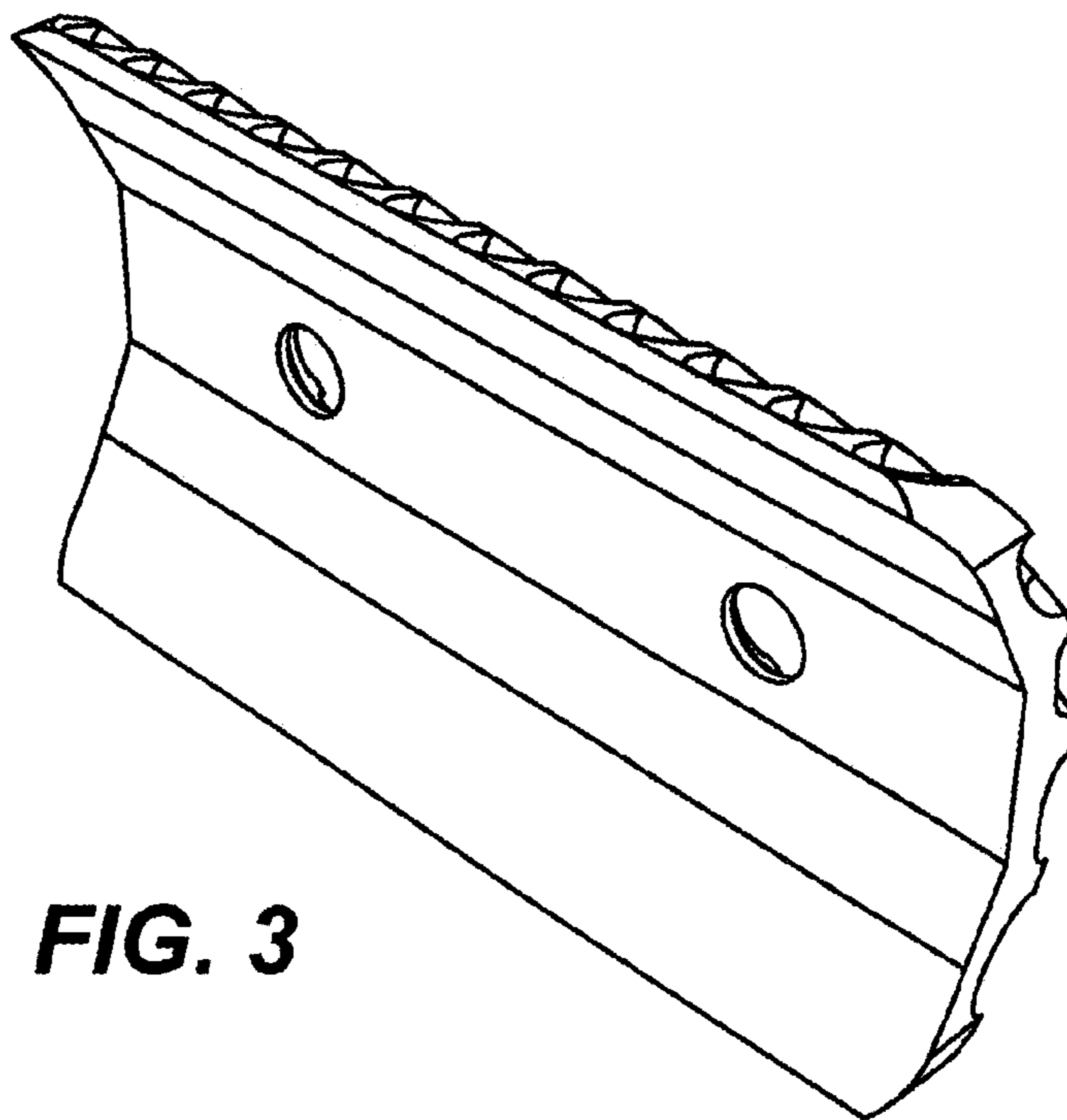


FIG. 3

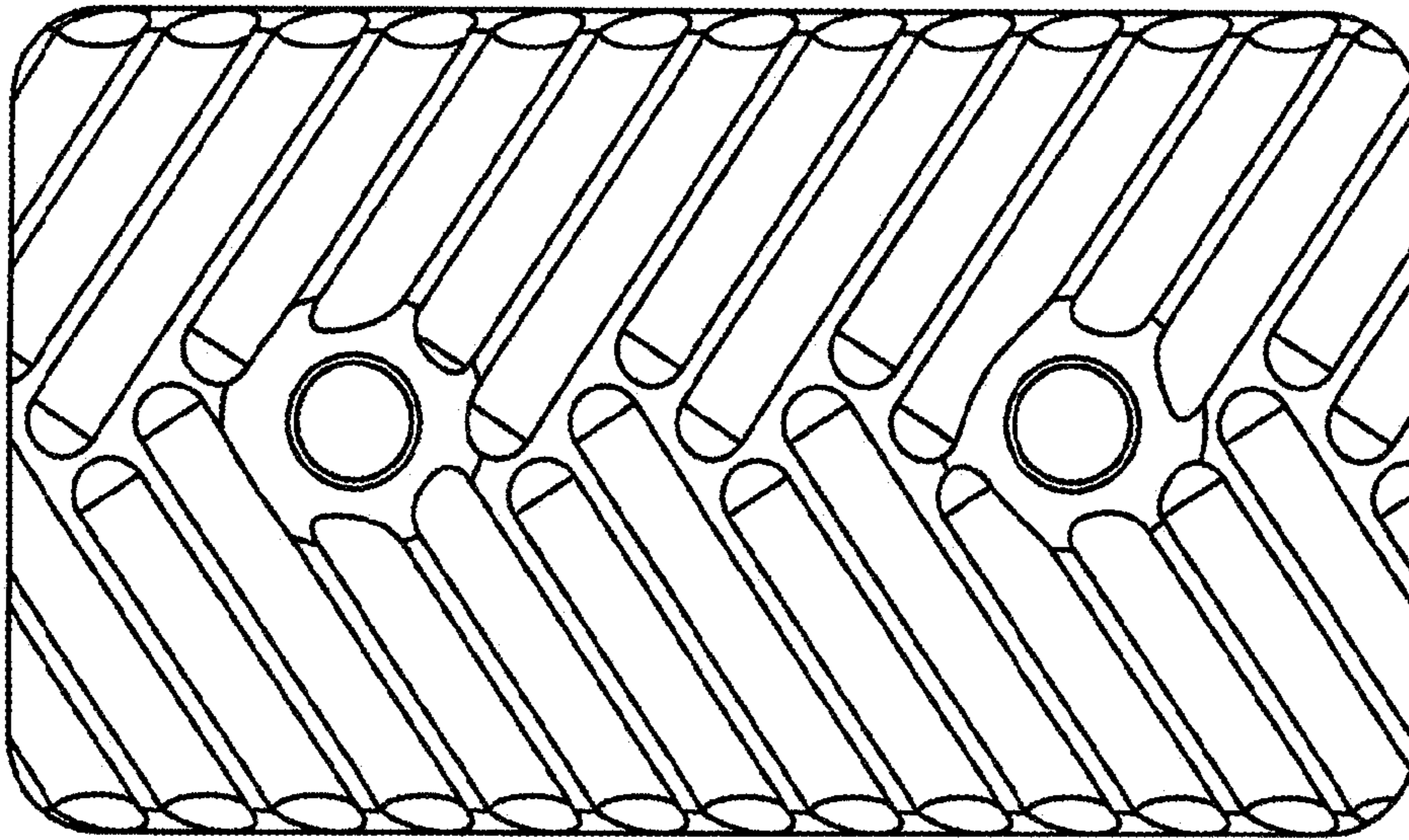


FIG. 4

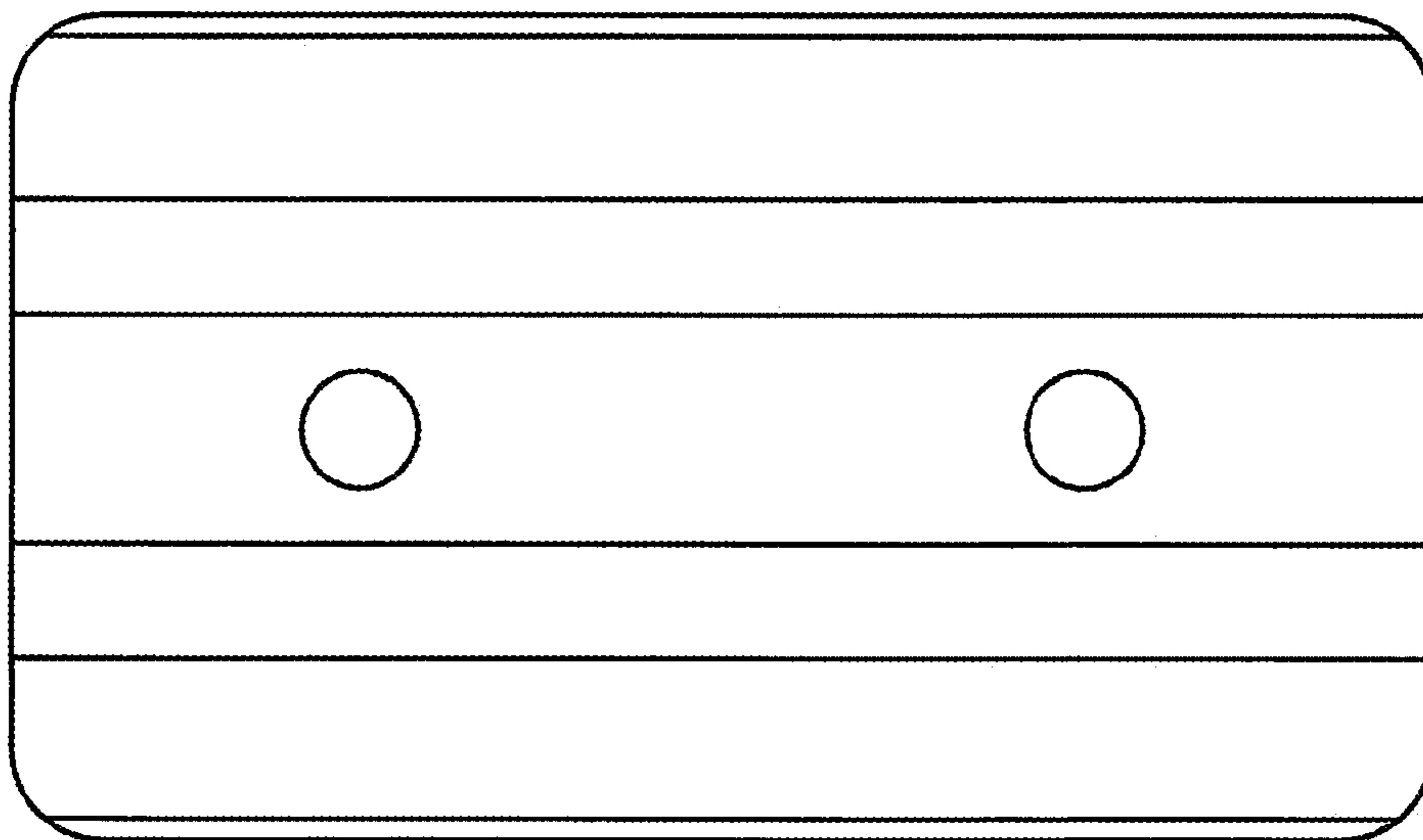


FIG. 5

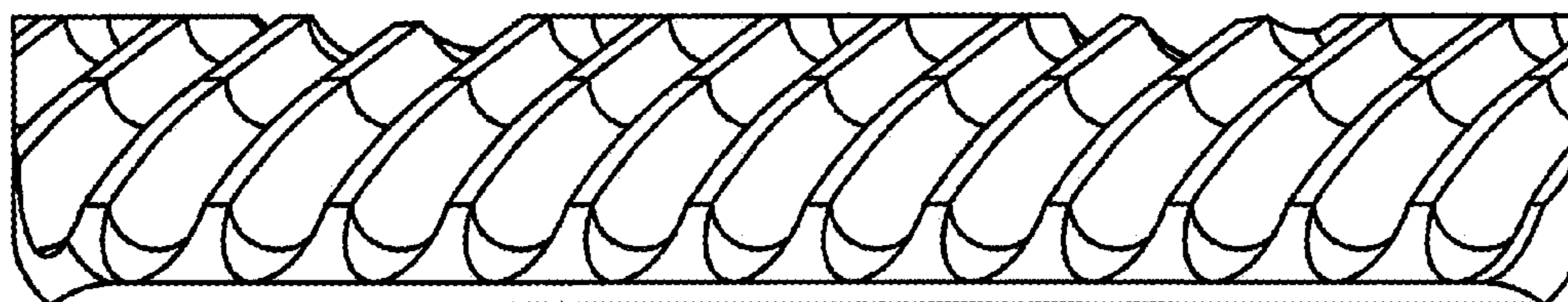


FIG. 6

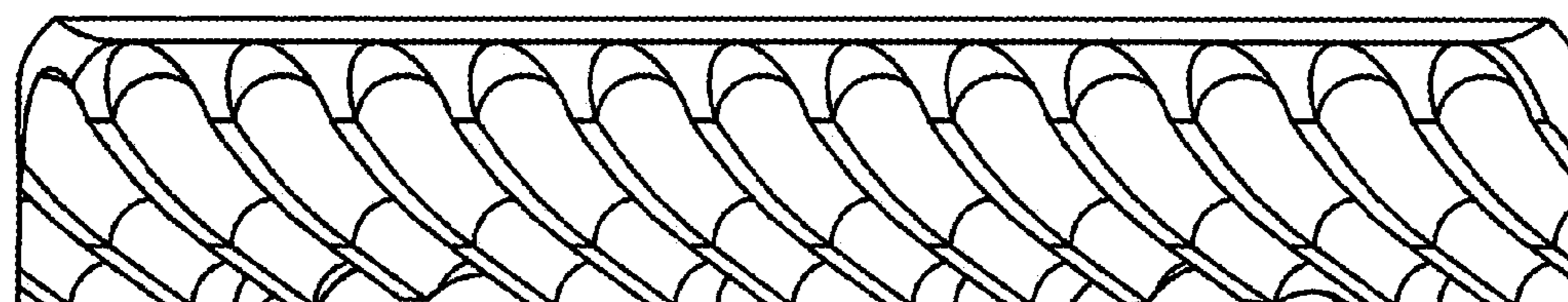


FIG. 7

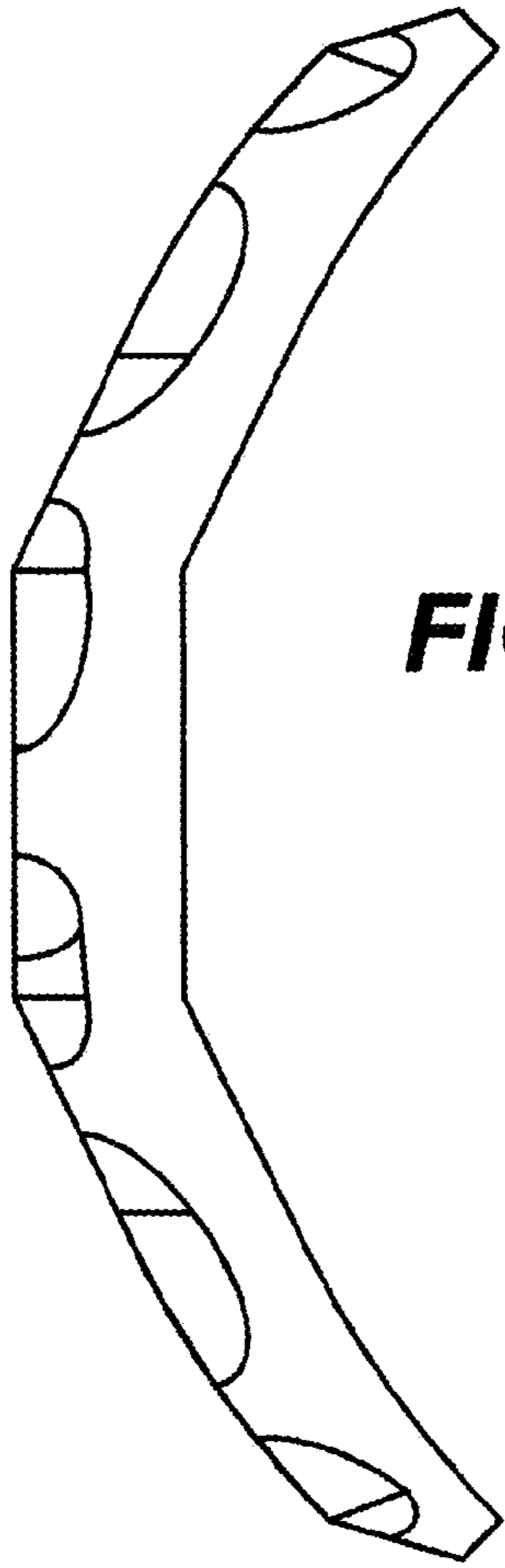


FIG. 8

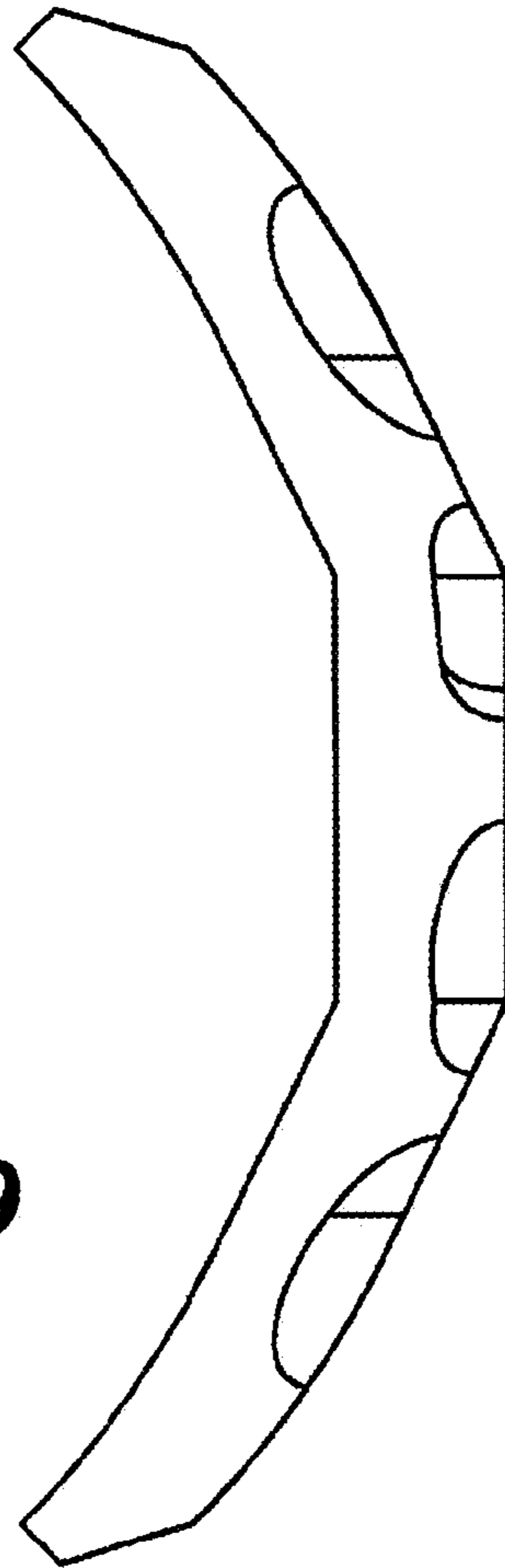


FIG. 9