



US00D740898S

(12) **United States Design Patent**
Westrom et al.

(10) **Patent No.:** **US D740,898 S**
(45) **Date of Patent:** **** Oct. 13, 2015**

(54) **SOCCER TEE**

(71) Applicants: **James Michael Westrom**, Colleyville, TX (US); **James Donn Hethcock, Jr.**, Colleyville, TX (US)

(72) Inventors: **James Michael Westrom**, Colleyville, TX (US); **James Donn Hethcock, Jr.**, Colleyville, TX (US)

(**) Term: **14 Years**

(21) Appl. No.: **29/512,624**

(22) Filed: **Dec. 21, 2014**

(51) **LOC (10) Cl.** **21-02**

(52) **U.S. Cl.**
USPC **D21/717**

(58) **Field of Classification Search**
USPC D21/717-721, 789-796; 473/417, 420, 473/386-406
CPC .. A63B 57/00; A63B 57/005; A63B 57/0012; A63B 57/0018; A63B 57/0031; A63B 57/0075; A63B 2057/0025; A63B 47/00; A63B 47/002; A63B 69/00; A63B 69/002; A63B 69/0073; A63B 69/0075; A63B 69/0091; A63B 69/24; A63B 69/40; A63B 2243/0025; A63B 2243/0066; A63B 63/007
See application file for complete search history.

(56) **References Cited**

U.S. PATENT DOCUMENTS

| | | | | |
|----------------|---------|-----------------|-------|---------|
| D75,984 S * | 8/1928 | Reich | | D21/717 |
| 2,079,387 A * | 5/1937 | Sickmiller | | 473/398 |
| 3,309,087 A * | 3/1967 | Cullity | | 473/420 |
| D208,711 S * | 9/1967 | Ward | | D21/717 |
| 4,181,311 A * | 1/1980 | Lawlor | | 473/257 |
| D261,789 S * | 11/1981 | Allen | | D21/716 |
| 4,720,095 A * | 1/1988 | Sowards | | 473/423 |
| 5,037,113 A * | 8/1991 | Sowards | | 473/423 |
| D332,816 S * | 1/1993 | Tarver | | D21/791 |
| D382,929 S * | 8/1997 | DeBlieux et al. | | D21/717 |
| 6,475,108 B1 * | 11/2002 | Sarenana et al. | | 473/420 |
| 7,033,289 B2 * | 4/2006 | Sharrocks | | 473/446 |
| 7,052,416 B2 * | 5/2006 | Chang | | 473/396 |

| | | | | |
|-------------------|---------|-------------------|-------|------------|
| 7,066,849 B2 * | 6/2006 | Budaj | | 473/446 |
| 7,172,521 B1 * | 2/2007 | Novis | | 473/446 |
| 7,234,348 B2 * | 6/2007 | Spampinato et al. | | 73/170.01 |
| 7,775,912 B2 * | 8/2010 | Aguirre | | 473/423 |
| 2003/0228942 A1 * | 12/2003 | Hsieh | | 473/446 |
| 2012/0122634 A1 * | 5/2012 | Lee | | 482/83 |
| 2014/0266160 A1 * | 9/2014 | Coza | | 324/207.11 |

FOREIGN PATENT DOCUMENTS

| | | |
|----|--------------------|--------|
| IE | 84841 B3 * | 3/2008 |
| WO | WO 2012019221 A1 * | 2/2012 |

* cited by examiner

Primary Examiner — Catherine Tuttle

(74) *Attorney, Agent, or Firm* — Jeffrey Roddy

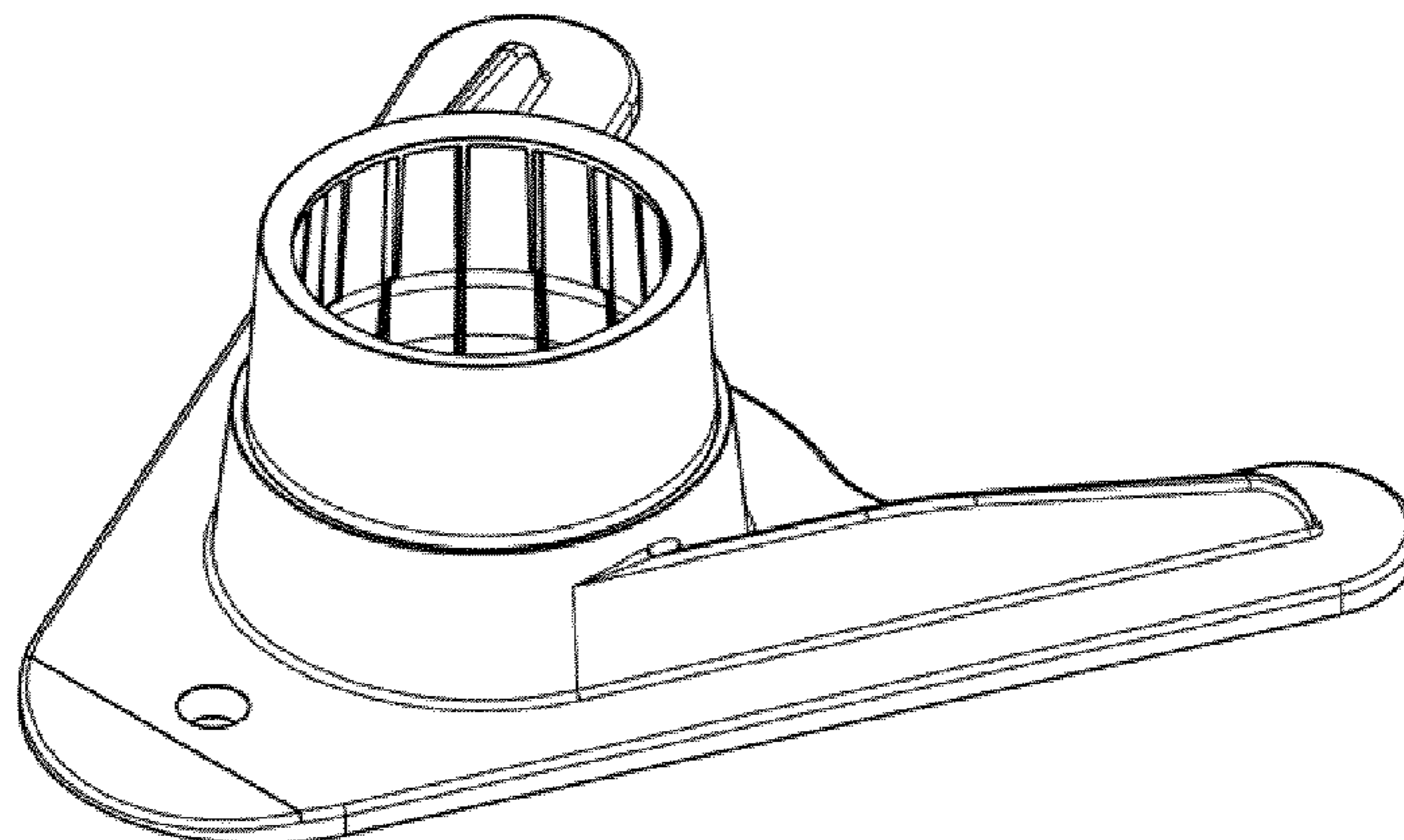
(57) **CLAIM**

The ornamental design for the soccer tee, as shown and described.

DESCRIPTION

FIG. 1 is a top perspective view of a soccer tee showing our new design;
 FIG. 2 is a bottom perspective view thereof;
 FIG. 3 is a top plan view thereof;
 FIG. 4 is an elevation view of one side thereof;
 FIG. 5 is a cross-sectional view thereof taken along line 5-5 of FIG. 3;
 FIG. 6 is a front elevation thereof;
 FIG. 7 is a bottom plan view thereof;
 FIG. 8 is a cross-sectional view taken along line 8-8 of FIG. 7;
 FIG. 9 is a top perspective view showing the base and riser components in an exploded state;
 FIG. 10 is top plan view of the base portion, shown separately for clarity for disclosure;
 FIG. 11 is a side elevation view of FIG. 10;
 FIG. 12 is a front elevation view of FIG. 10;
 FIG. 13 is a top plan view of the riser portion, shown separately for clarity for disclosure;
 FIG. 14 is a side elevation view of FIG. 13; and,
 FIG. 15 is a cross-sectional view thereof taken along line 15-15 of FIG. 13.

1 Claim, 7 Drawing Sheets



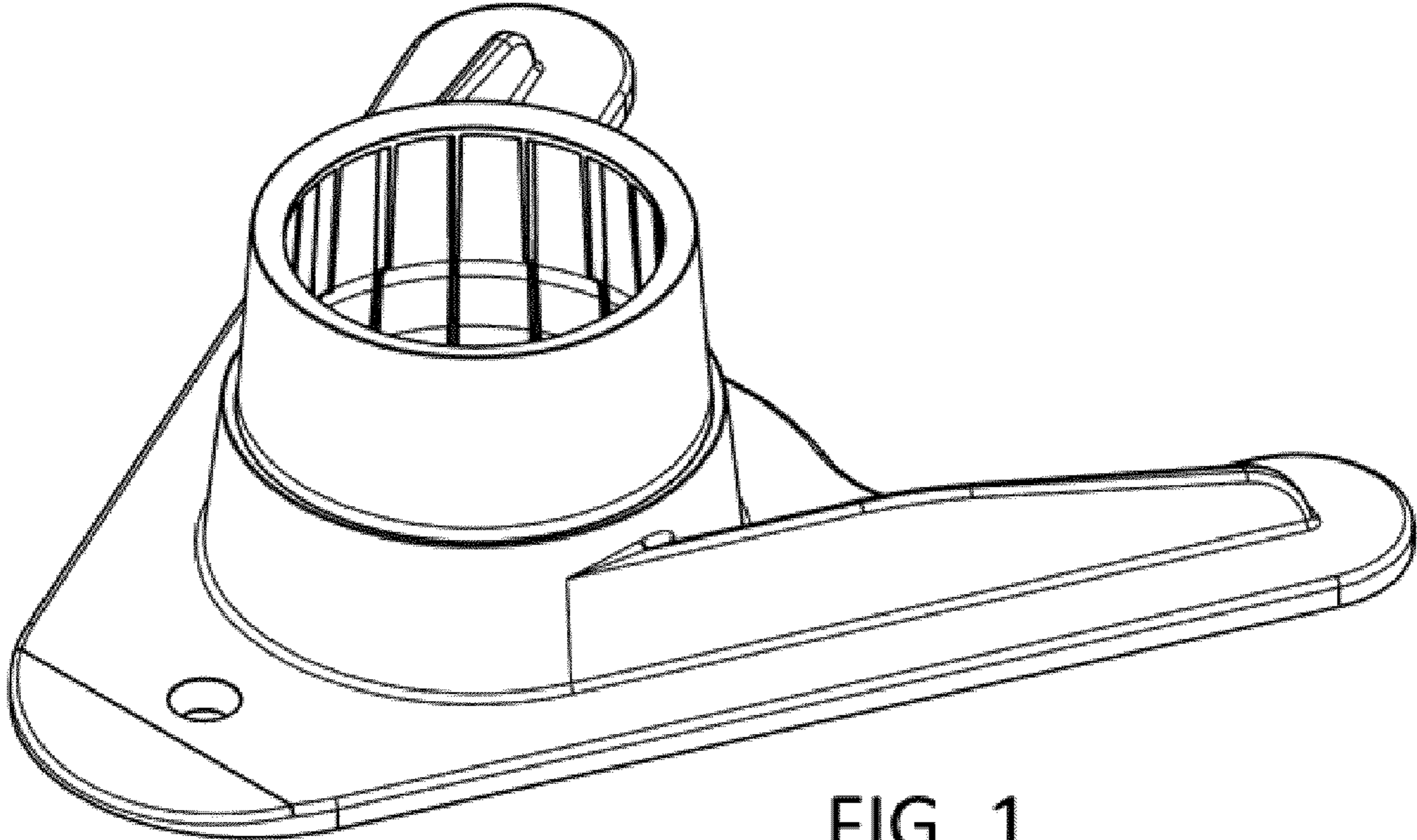


FIG. 1

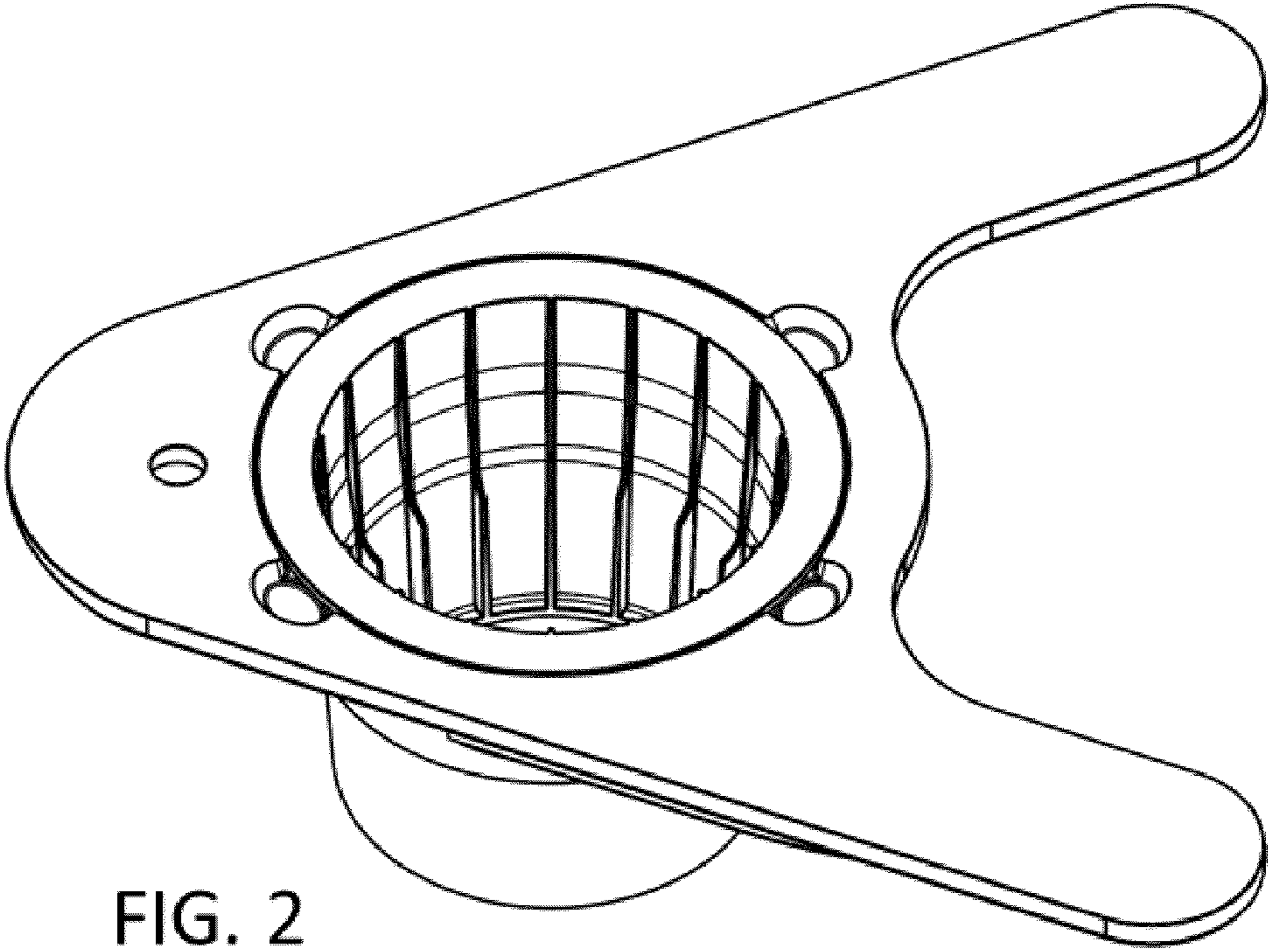


FIG. 2

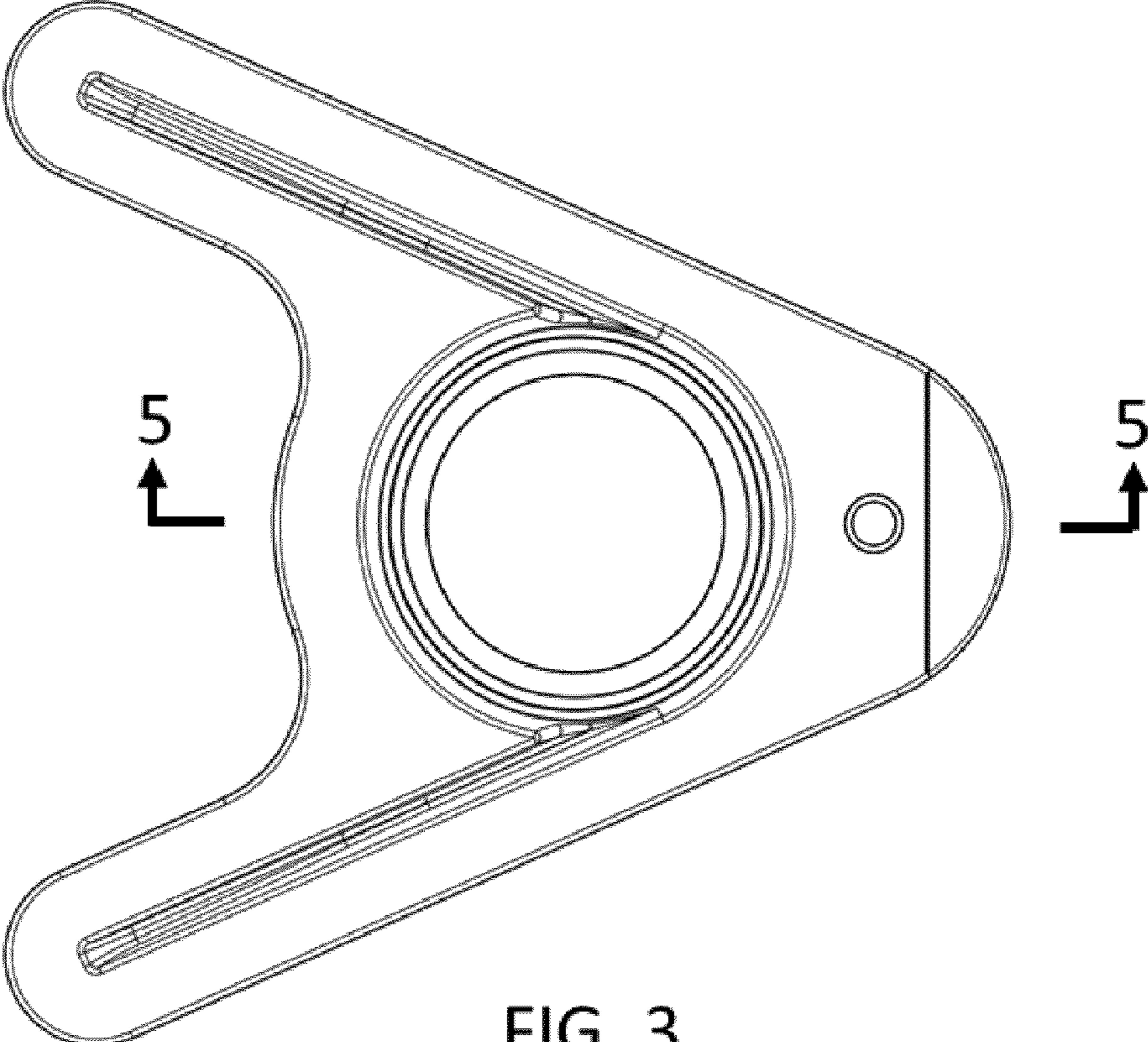


FIG. 3

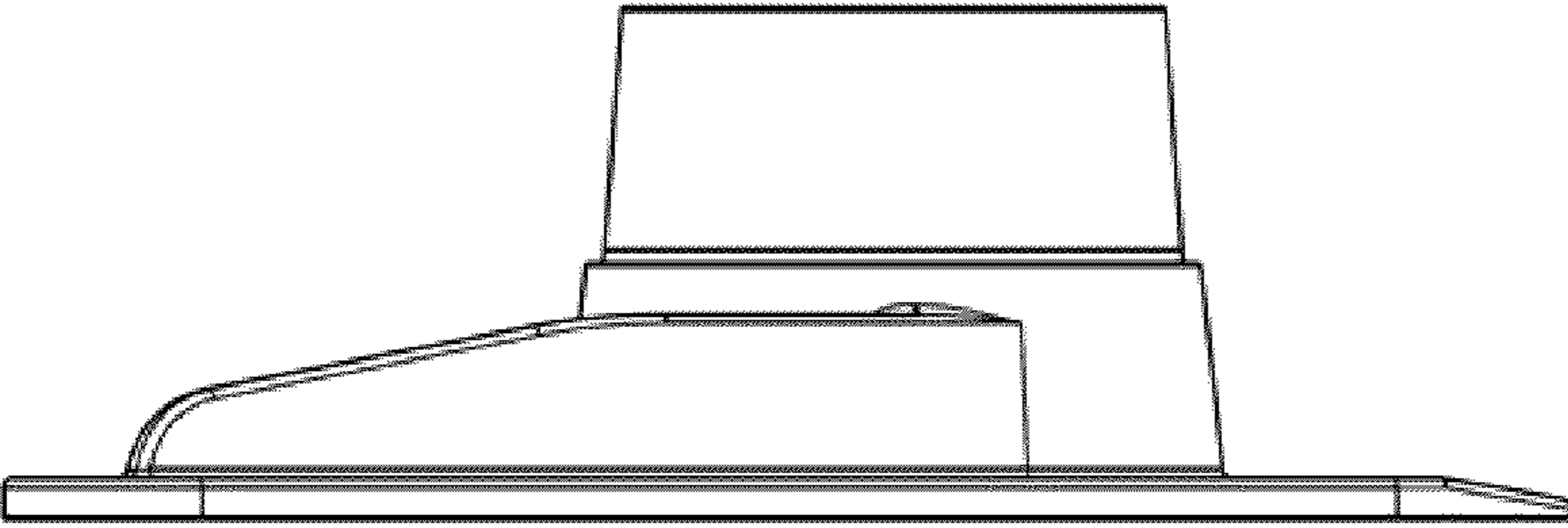


FIG. 4

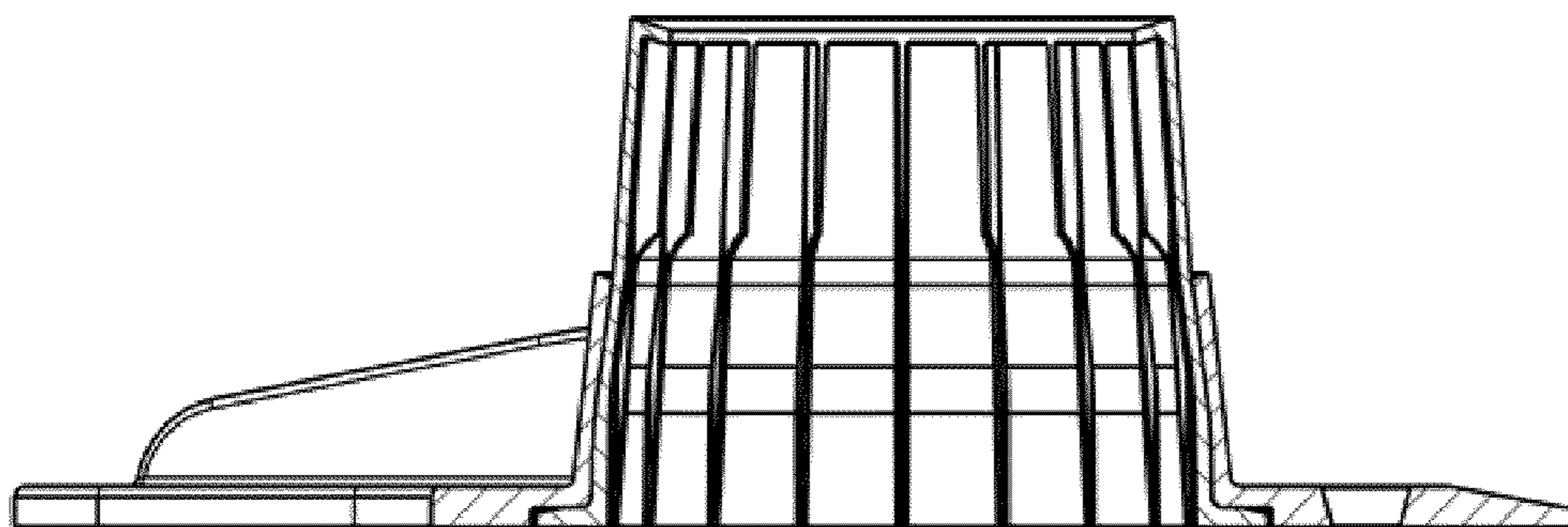


FIG. 5

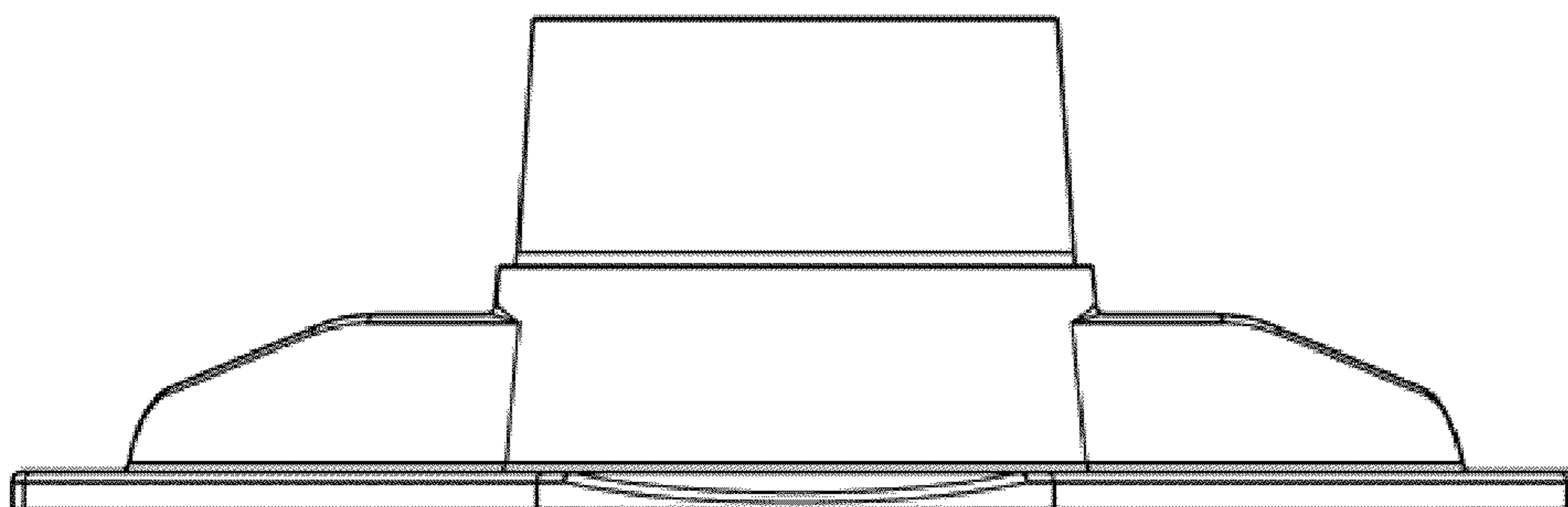


FIG. 6

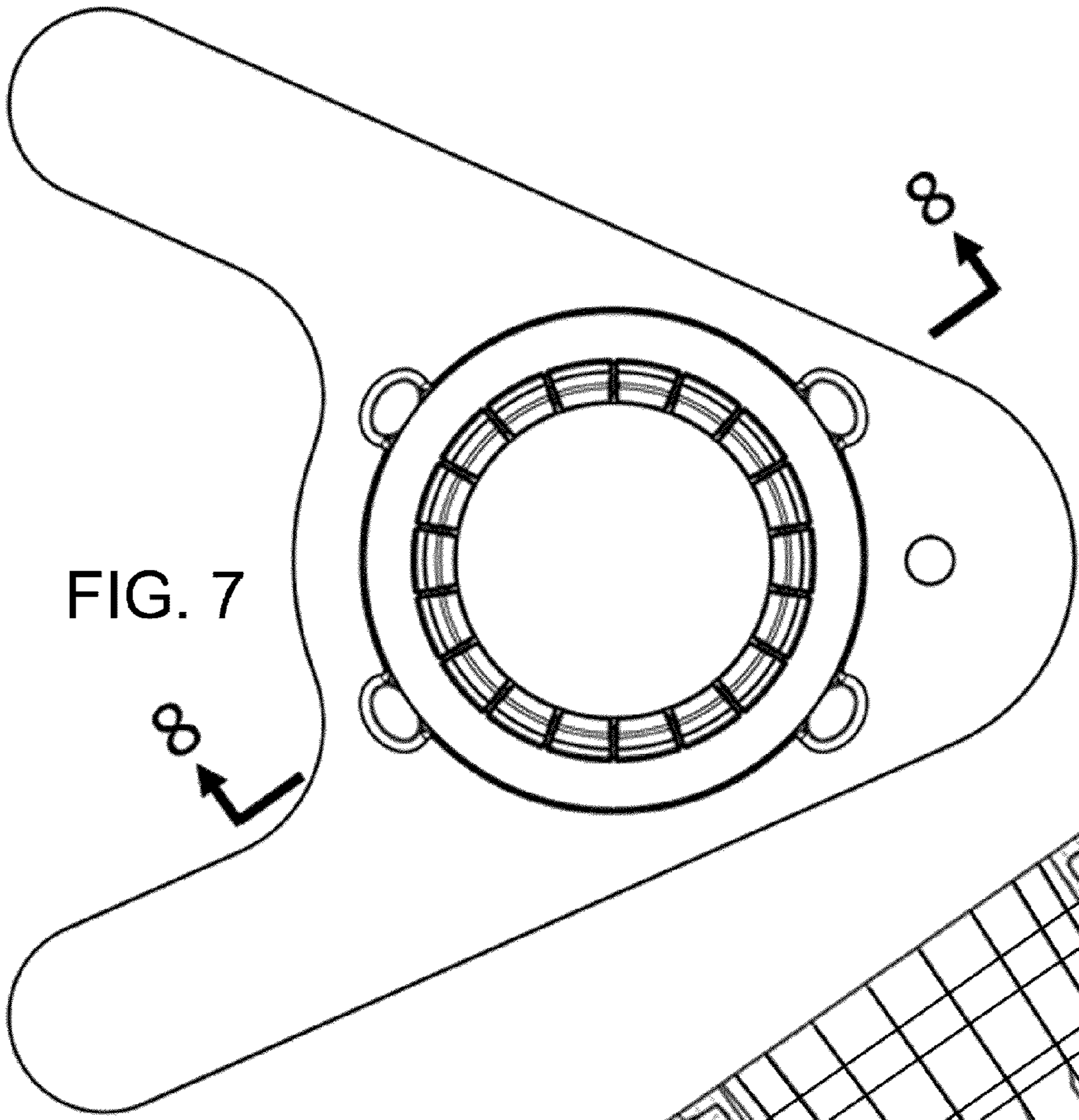


FIG. 7

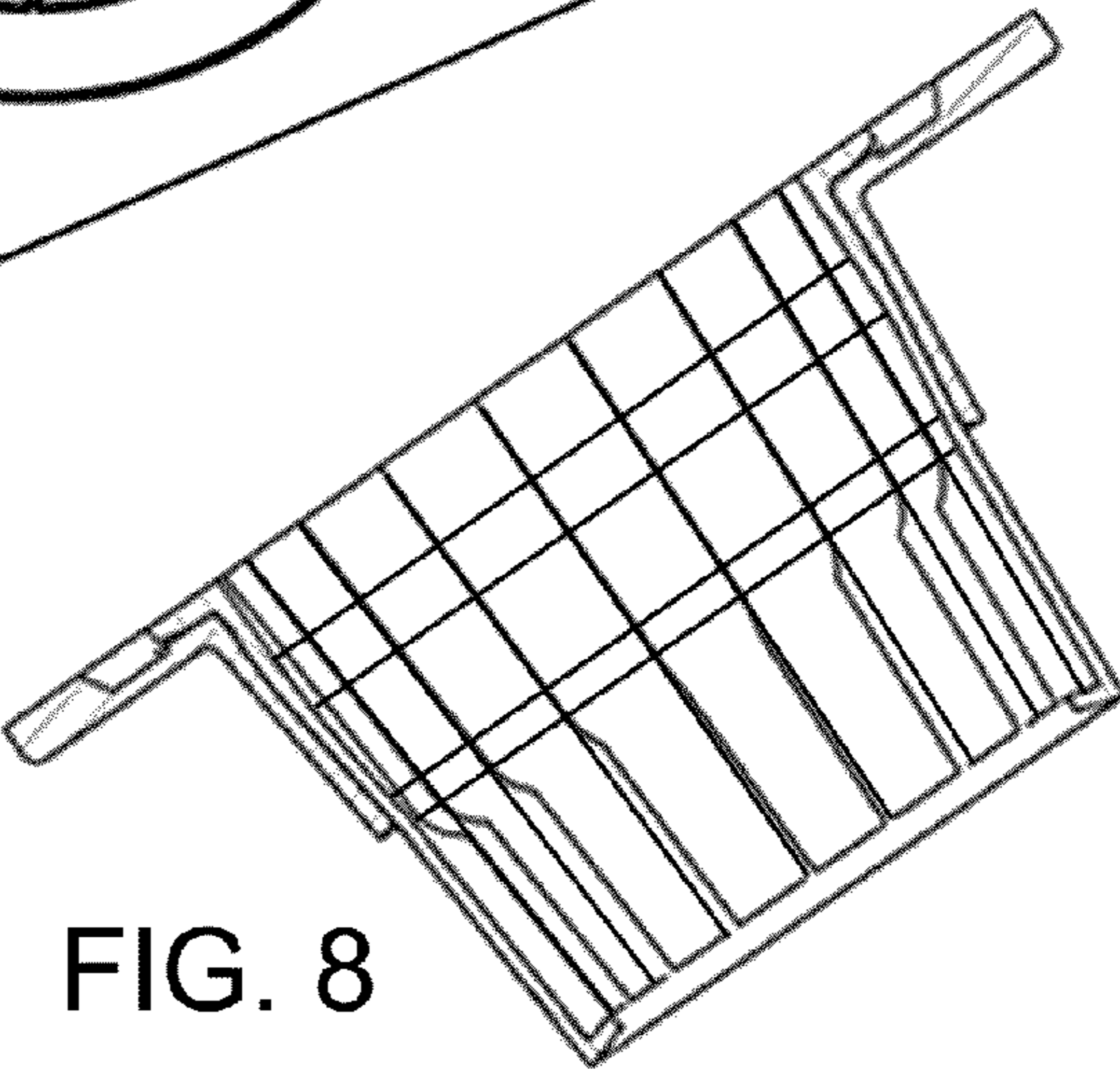


FIG. 8

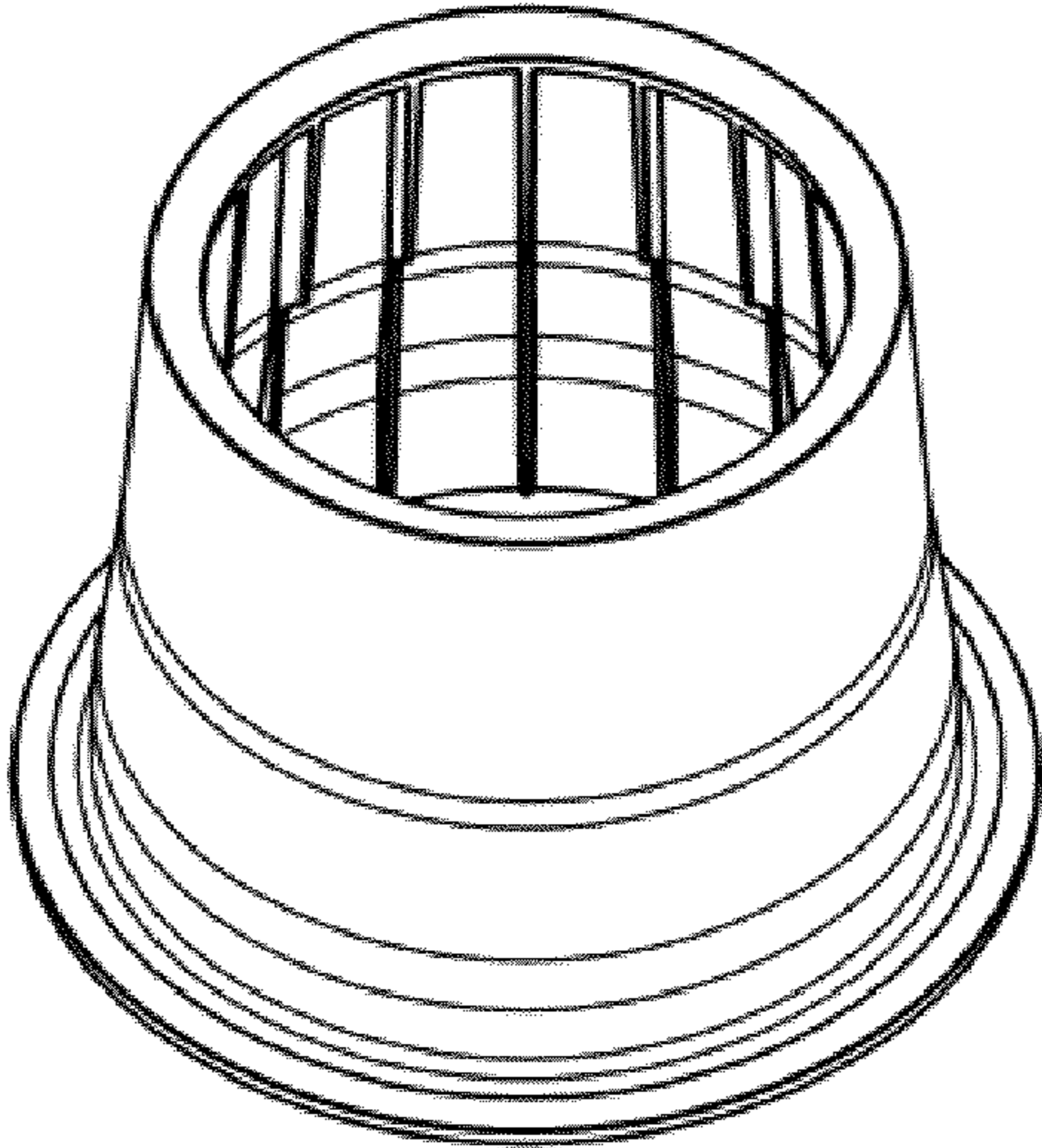
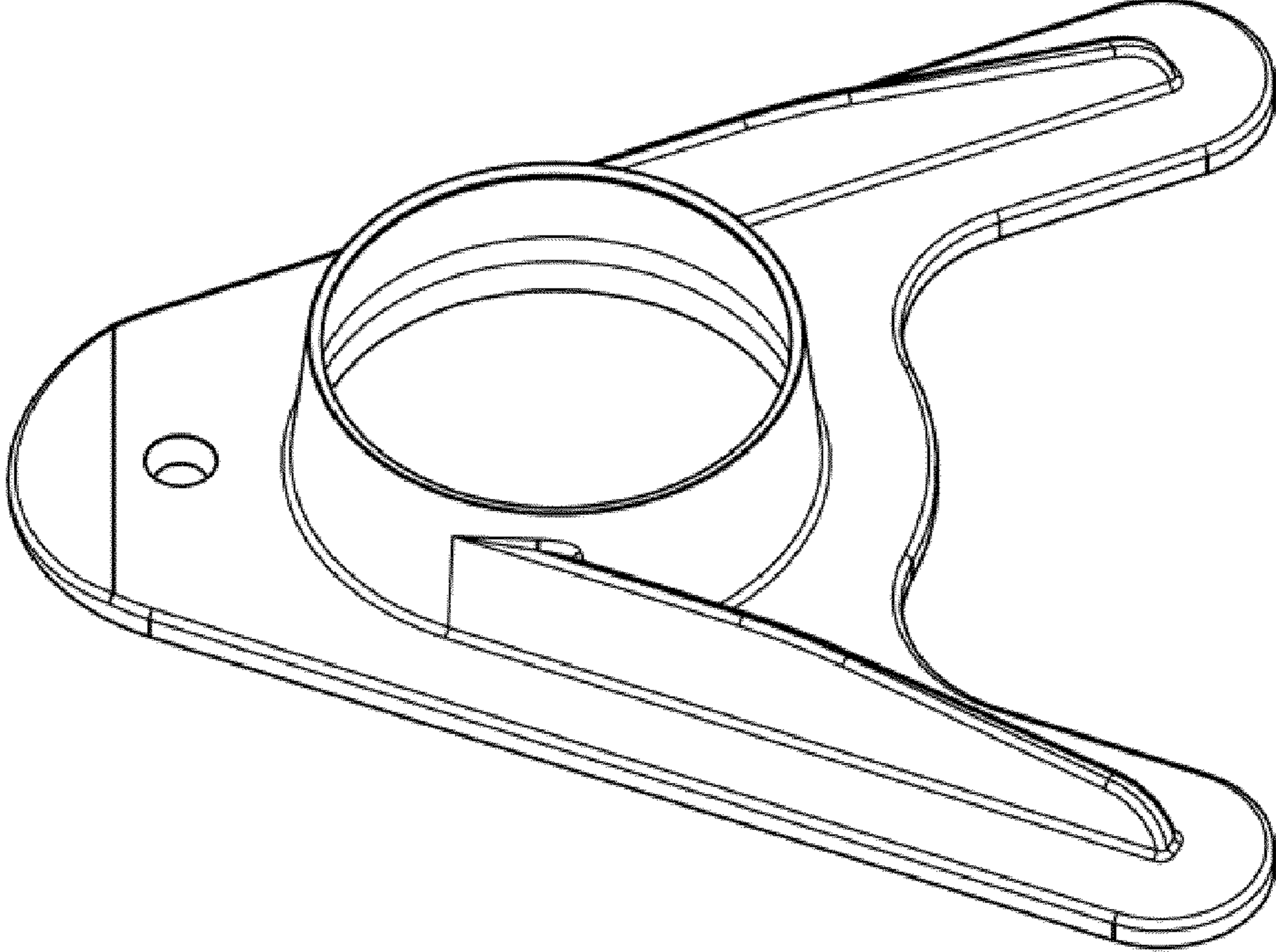


FIG. 9

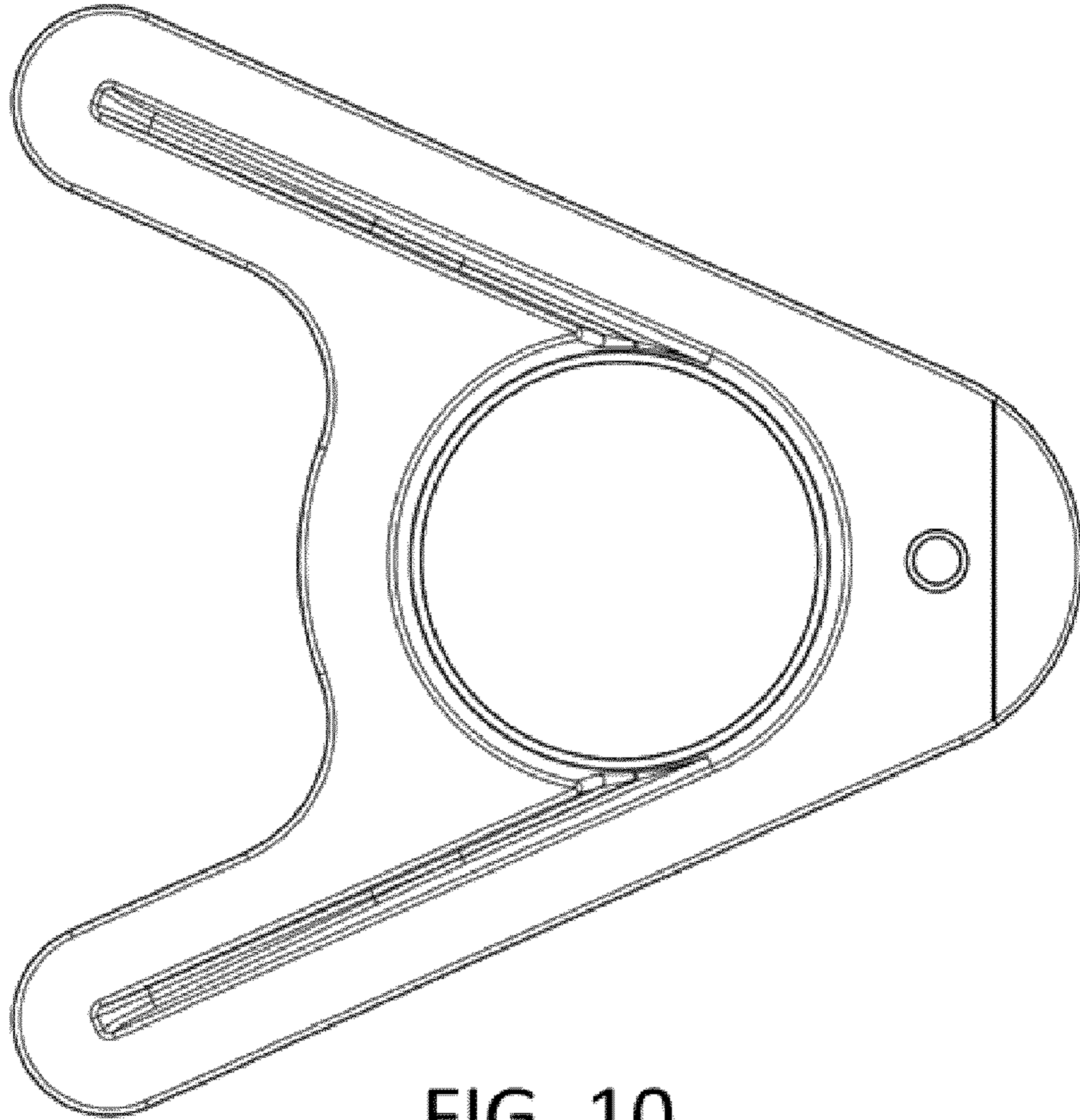


FIG. 10

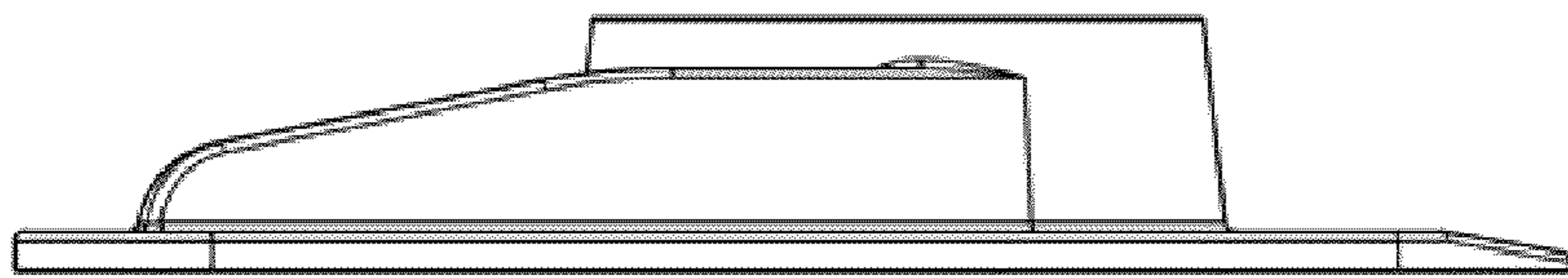


FIG. 11



FIG. 12

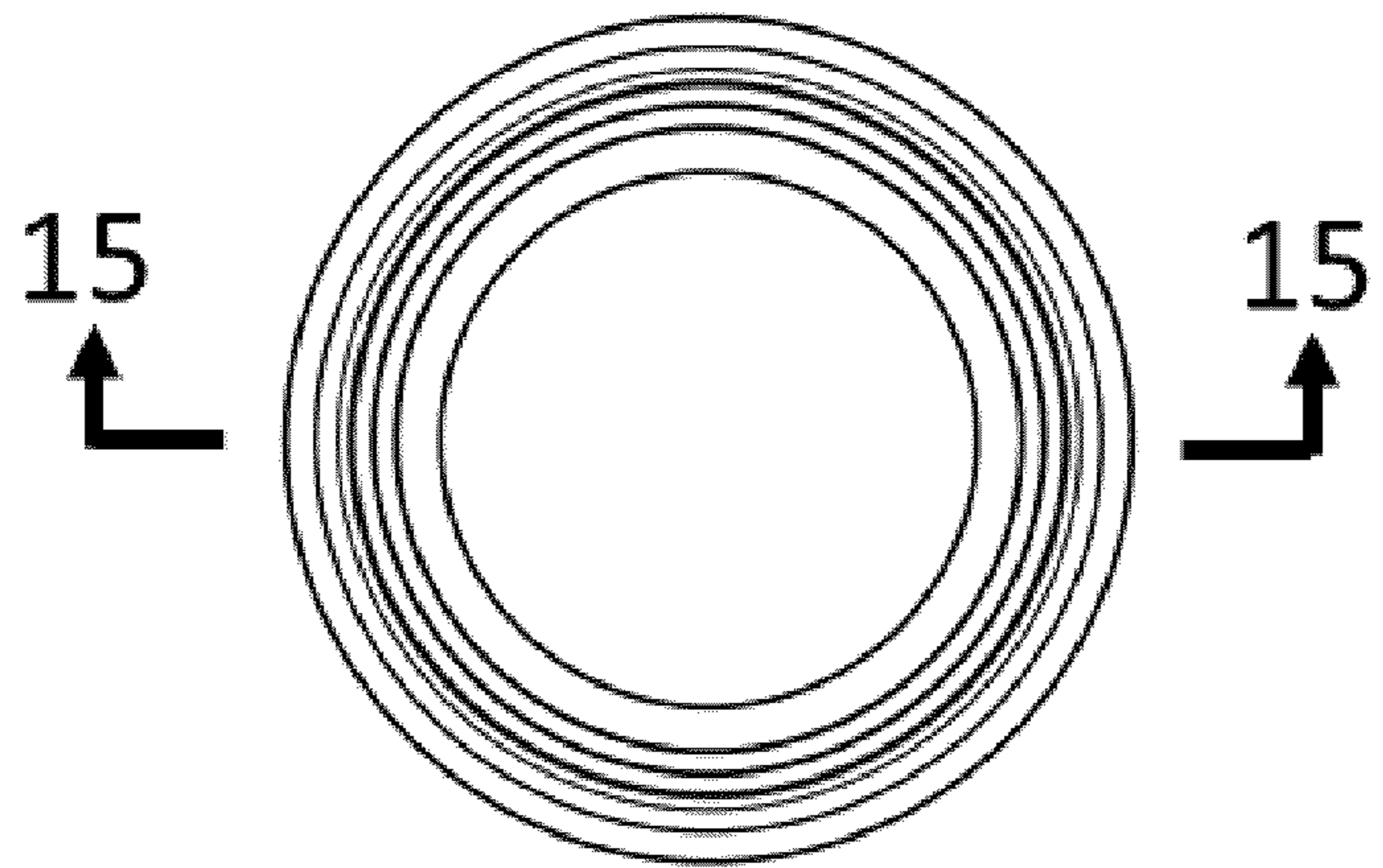


FIG. 13

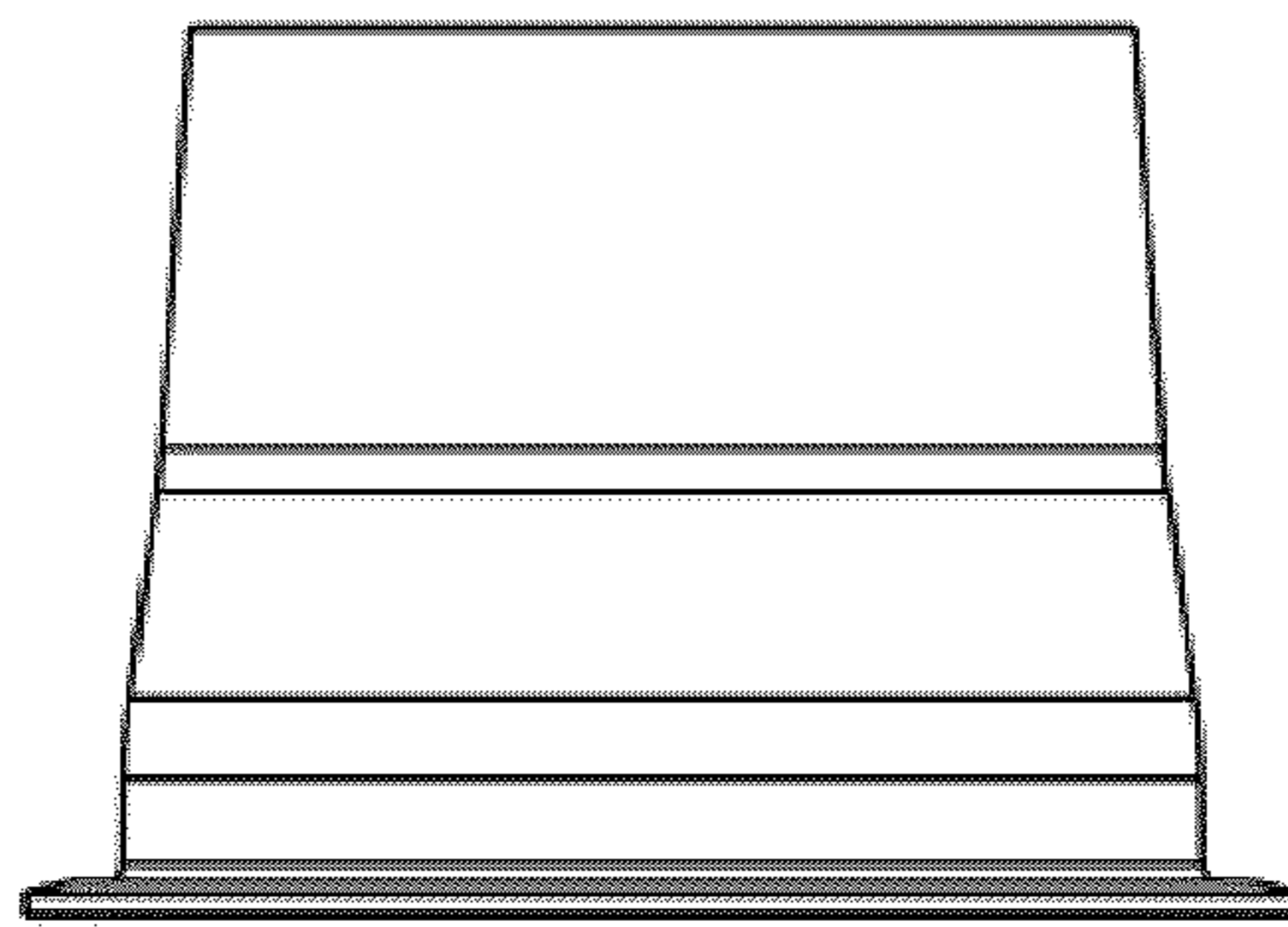


FIG. 14

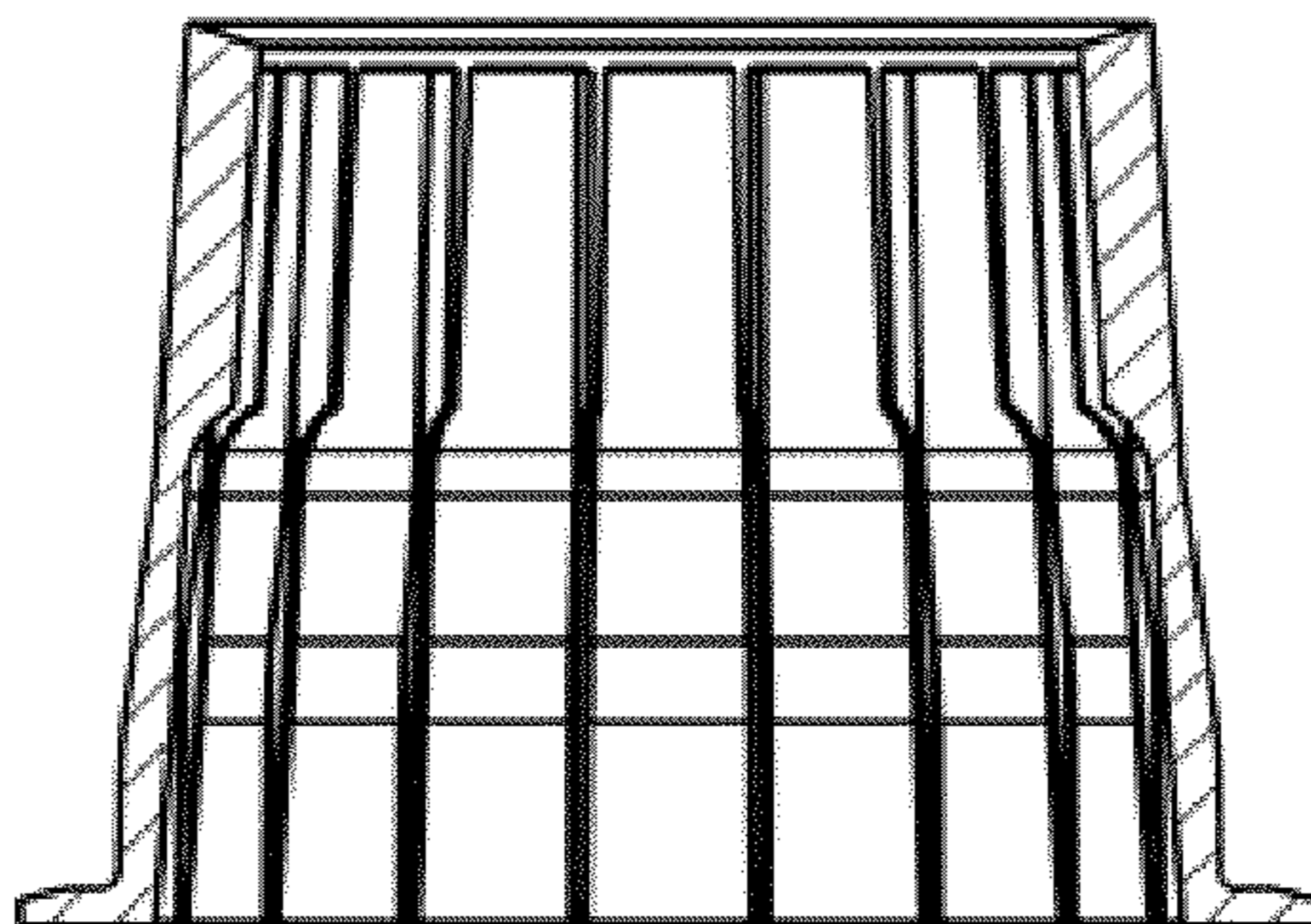


FIG. 15