



US00D740893S

(12) **United States Design Patent**  
**Simonds et al.**

(10) **Patent No.:** **US D740,893 S**  
(45) **Date of Patent:** **\*\* Oct. 13, 2015**

(54) **TOY BUILDING BLOCK**

(71) Applicant: **Chiswick innovations Ltd**, London (GB)

(72) Inventors: **Colin Simonds**, London (GB); **James Simonds**, London (GB)

(73) Assignee: **CHISWICK INNOVATIONS LTD.**, London (GB)

(\*\*) Term: **14 Years**

(21) Appl. No.: **29/500,418**

(22) Filed: **Aug. 25, 2014**

(30) **Foreign Application Priority Data**

Feb. 25, 2014 (EM) ..... 001404180

(51) **LOC (10) Cl.** ..... **21-01**

(52) **U.S. Cl.**  
USPC ..... **D21/499; D21/501**

(58) **Field of Classification Search**  
USPC ..... D21/333, 373, 386, 389, 404, 468, 470, D21/471, 475, 484-505; 446/69, 85, 446/102-128; 434/167, 208, 259, 403; 273/153, 156, 160; D3/304, 314; D24/101; D9/640; 220/23.4; 40/720  
CPC ..... A63H 33/04; A63H 33/06; A63H 33/062; A63H 33/08; A63H 33/084; A63H 33/088; A63F 9/12; A63F 9/1224

See application file for complete search history.

(56) **References Cited**

U.S. PATENT DOCUMENTS

4,305,221	A *	12/1981	Chatani	.....	446/121
4,306,373	A *	12/1981	Chatani et al.	.....	446/121
D580,995	S *	11/2008	Chun	.....	D21/499
D612,435	S *	3/2010	Sisamos	.....	D21/502
2009/0017715	A1 *	1/2009	Grichting	.....	446/124
2010/0210173	A1 *	8/2010	Maggiore et al.	.....	446/125
2011/0039474	A1 *	2/2011	Bruder	.....	446/124

\* cited by examiner

*Primary Examiner* — Cynthia M Chin

(74) *Attorney, Agent, or Firm* — Jacobson Holman, PLLC.

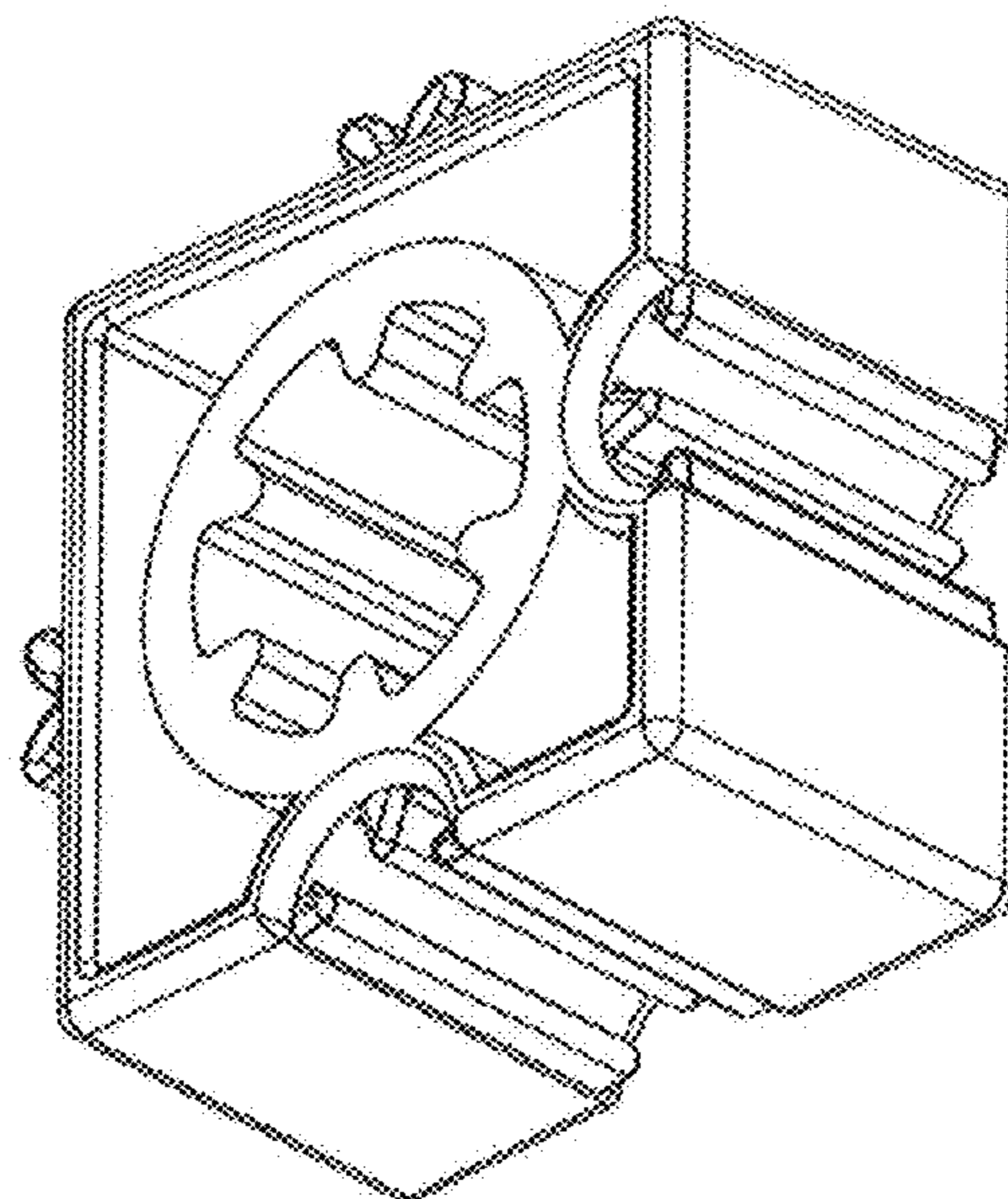
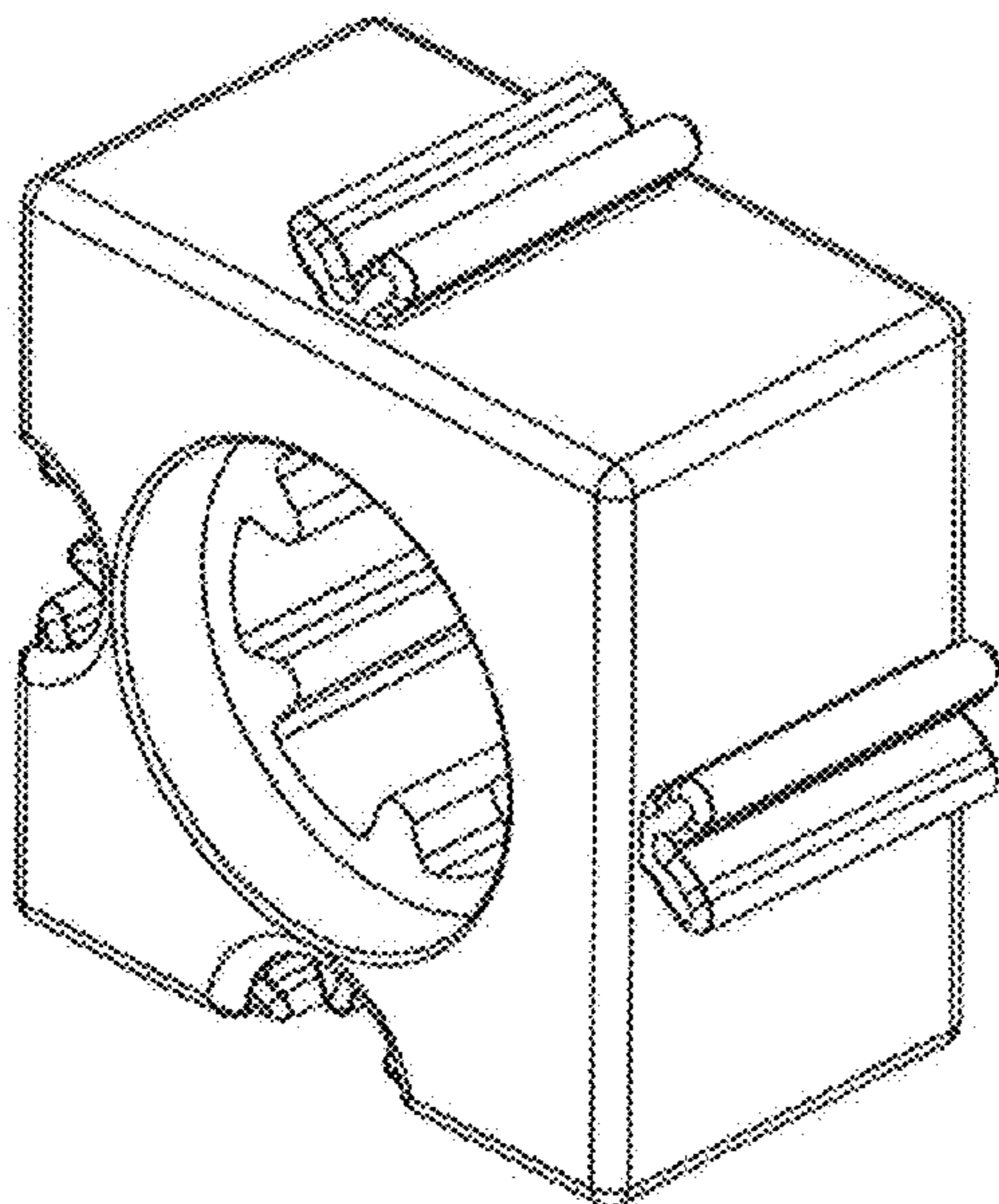
(57) **CLAIM**

We claim the ornamental design for a toy building block, as shown and described.

**DESCRIPTION**

FIG. 1 is a front perspective view of a toy building block embodying our design;  
FIG. 2 is a back perspective view of FIG. 1;  
FIG. 3 is a top plan view of FIG. 1;  
FIG. 4 is a bottom view of FIG. 1;  
FIG. 5 is a left side view of FIG. 1;  
FIG. 6 is a right side view of FIG. 1; and,  
FIG. 7 is a right side view rotated 90 degrees of FIG. 1.

**1 Claim, 3 Drawing Sheets**



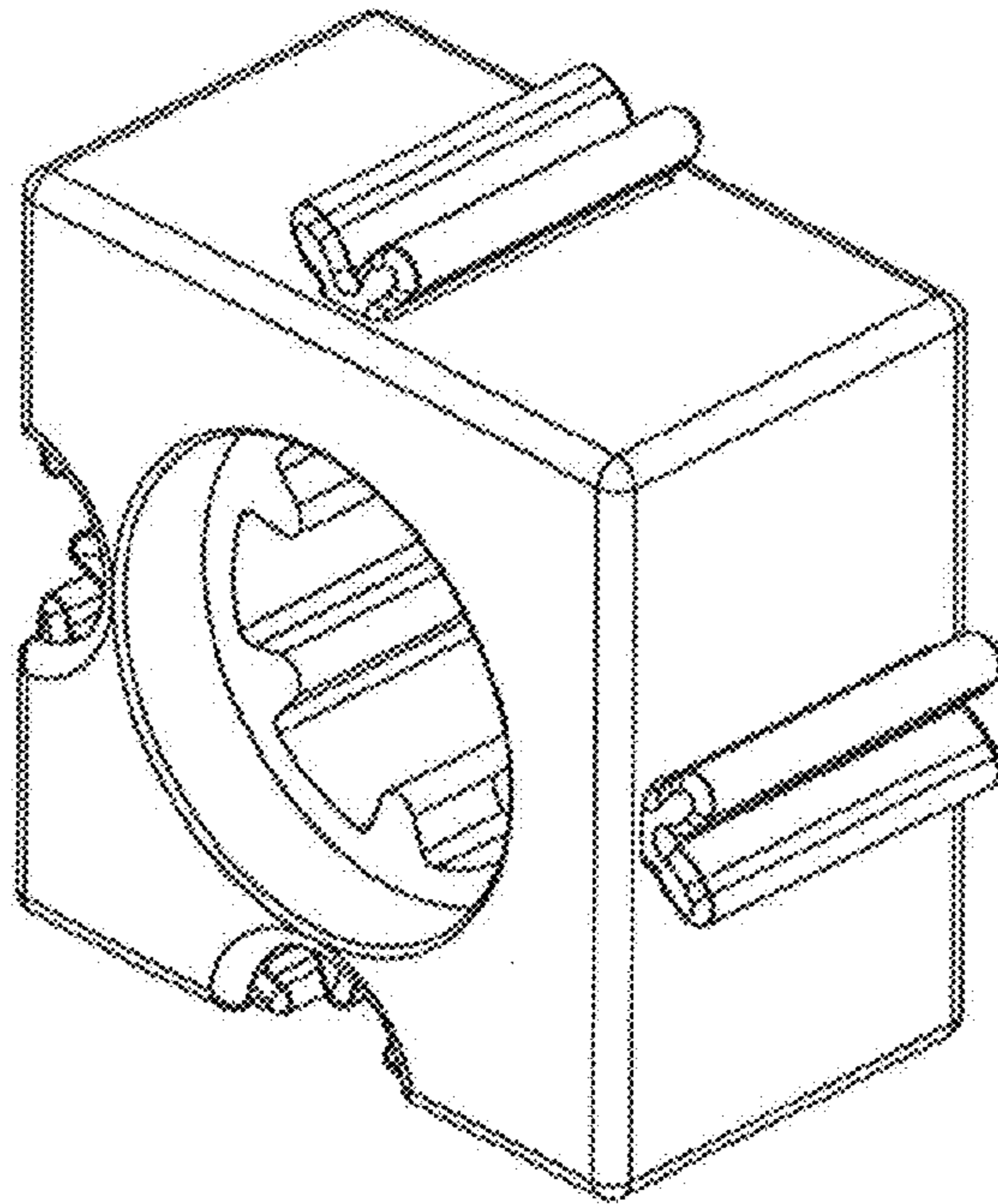


FIG. 1

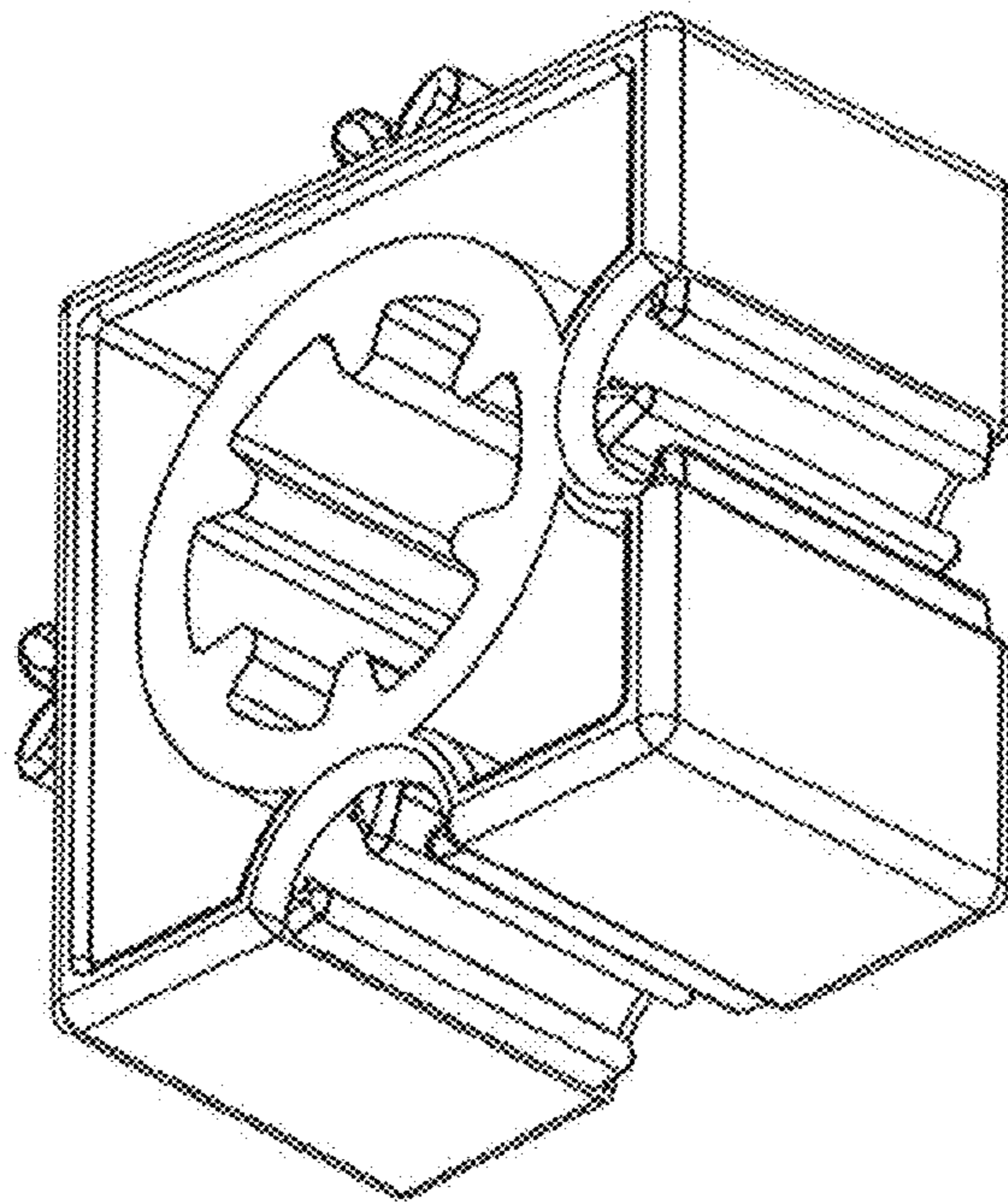


FIG. 2

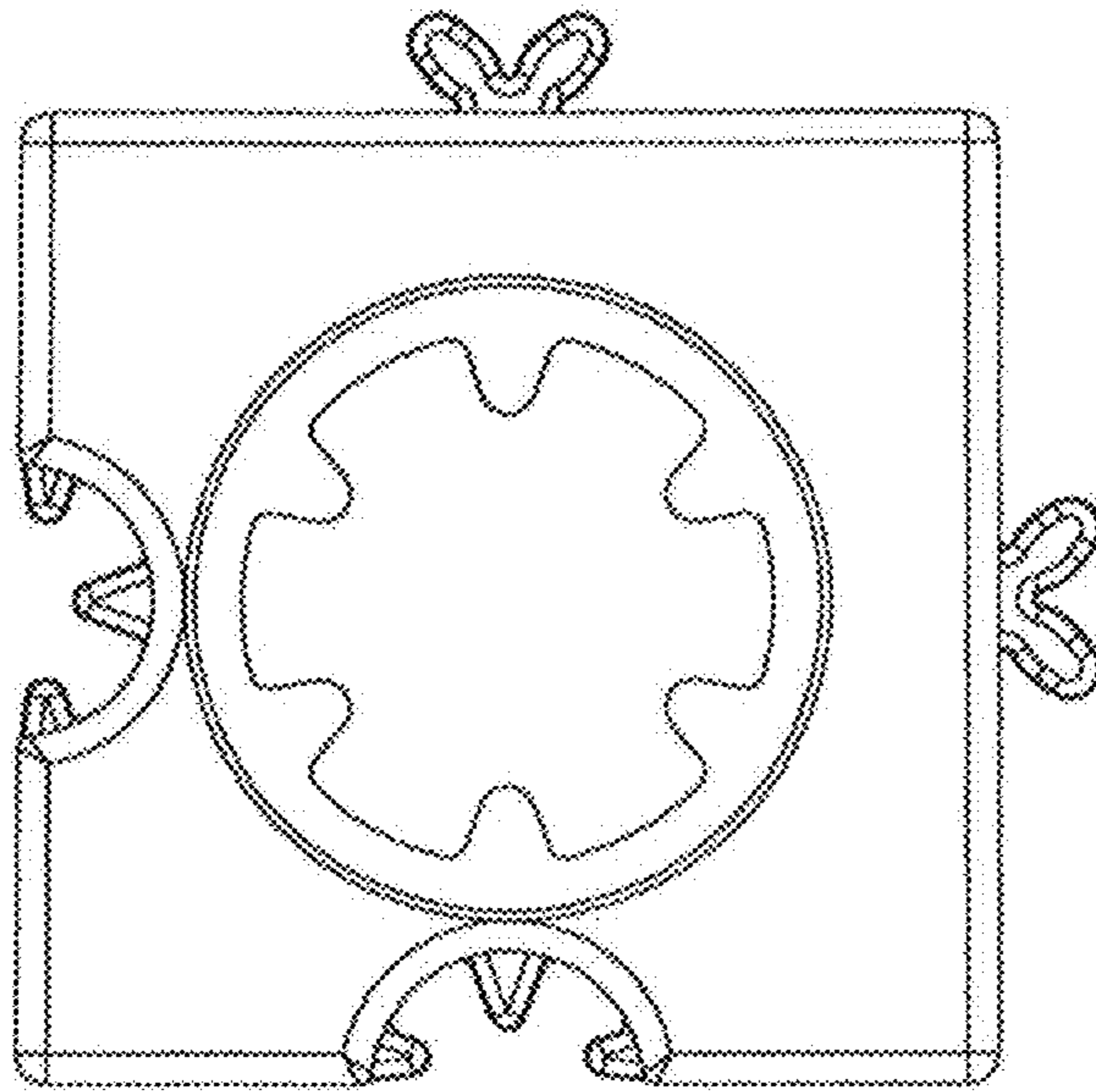


FIG. 3

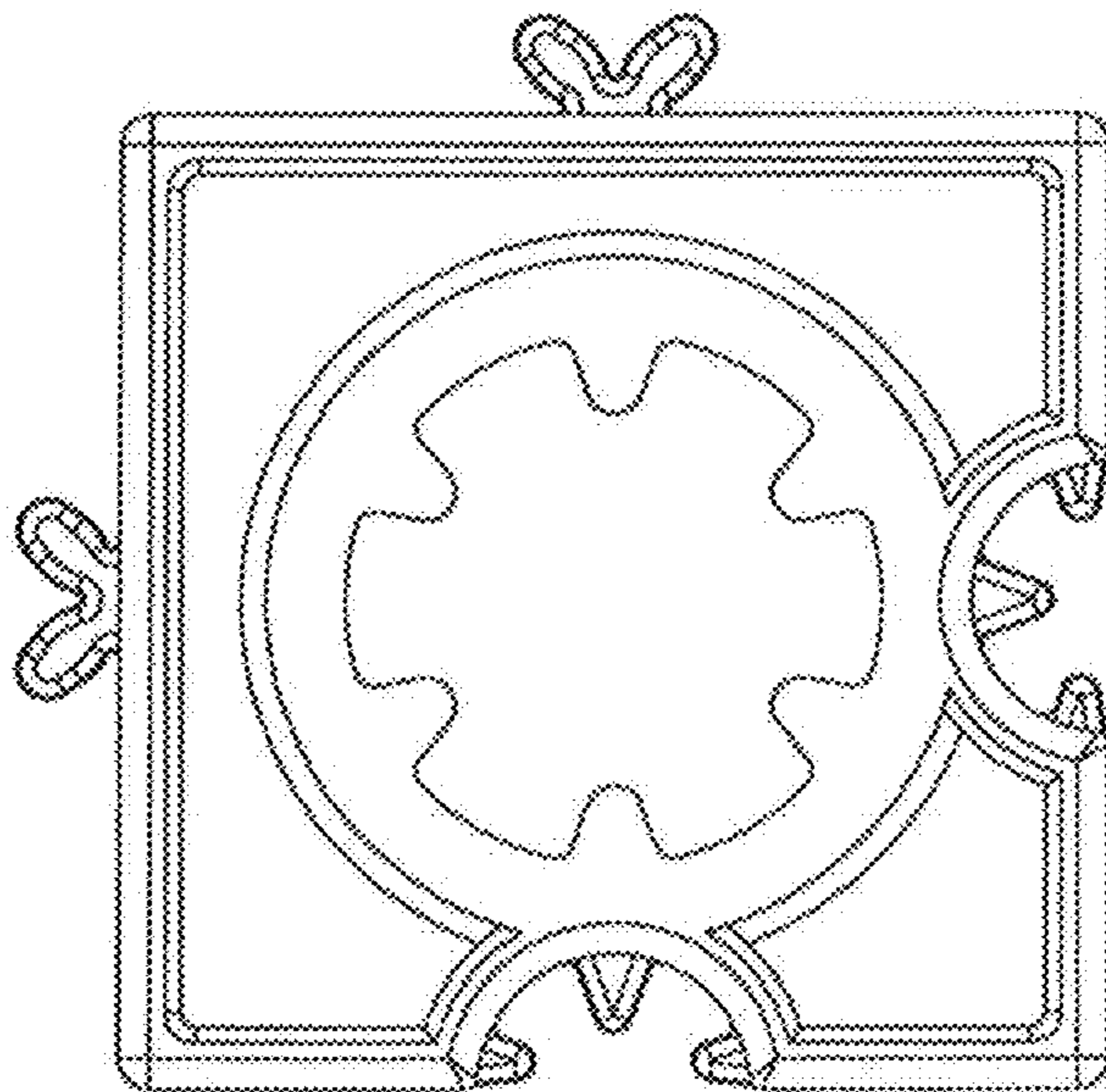


FIG. 4

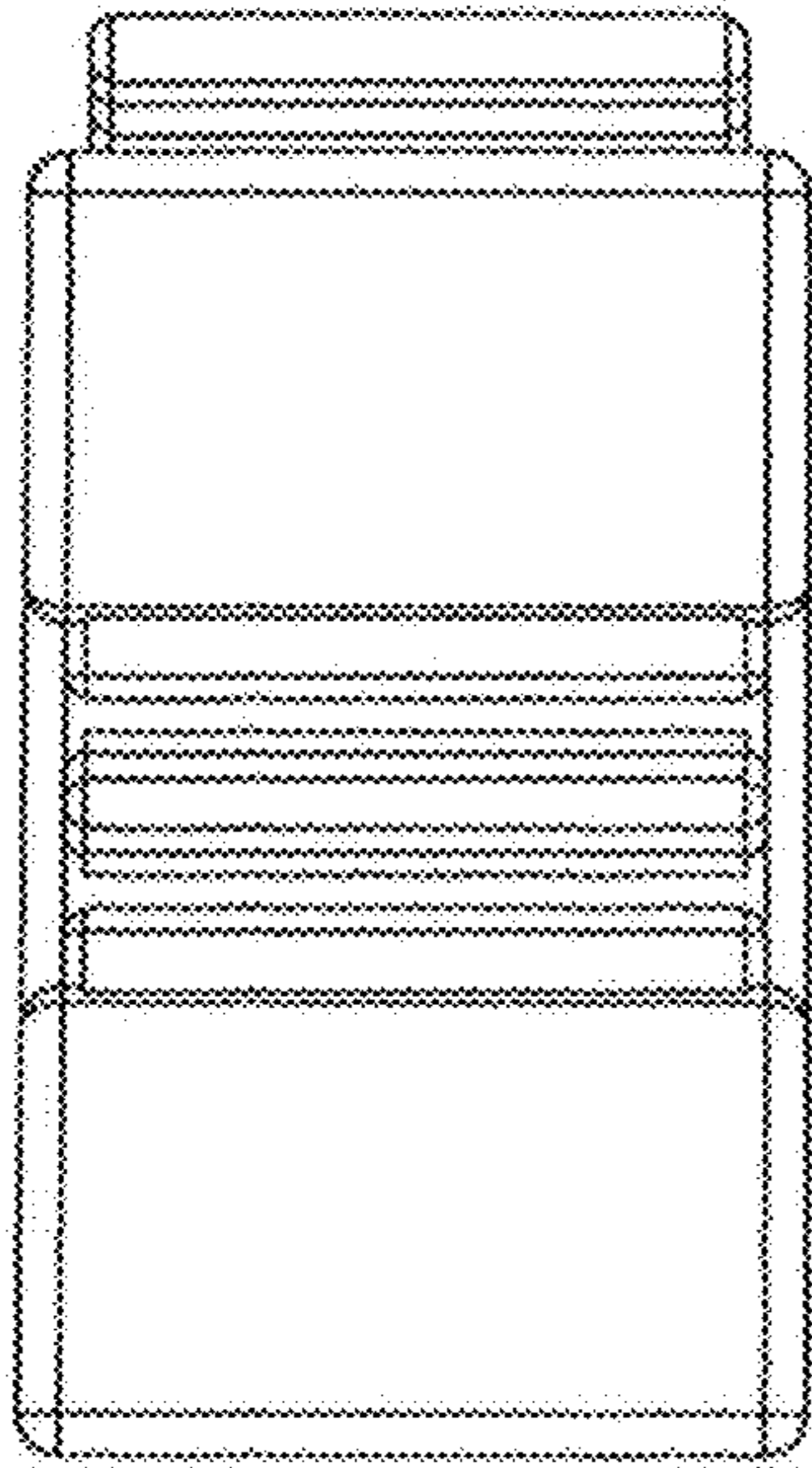


FIG. 5

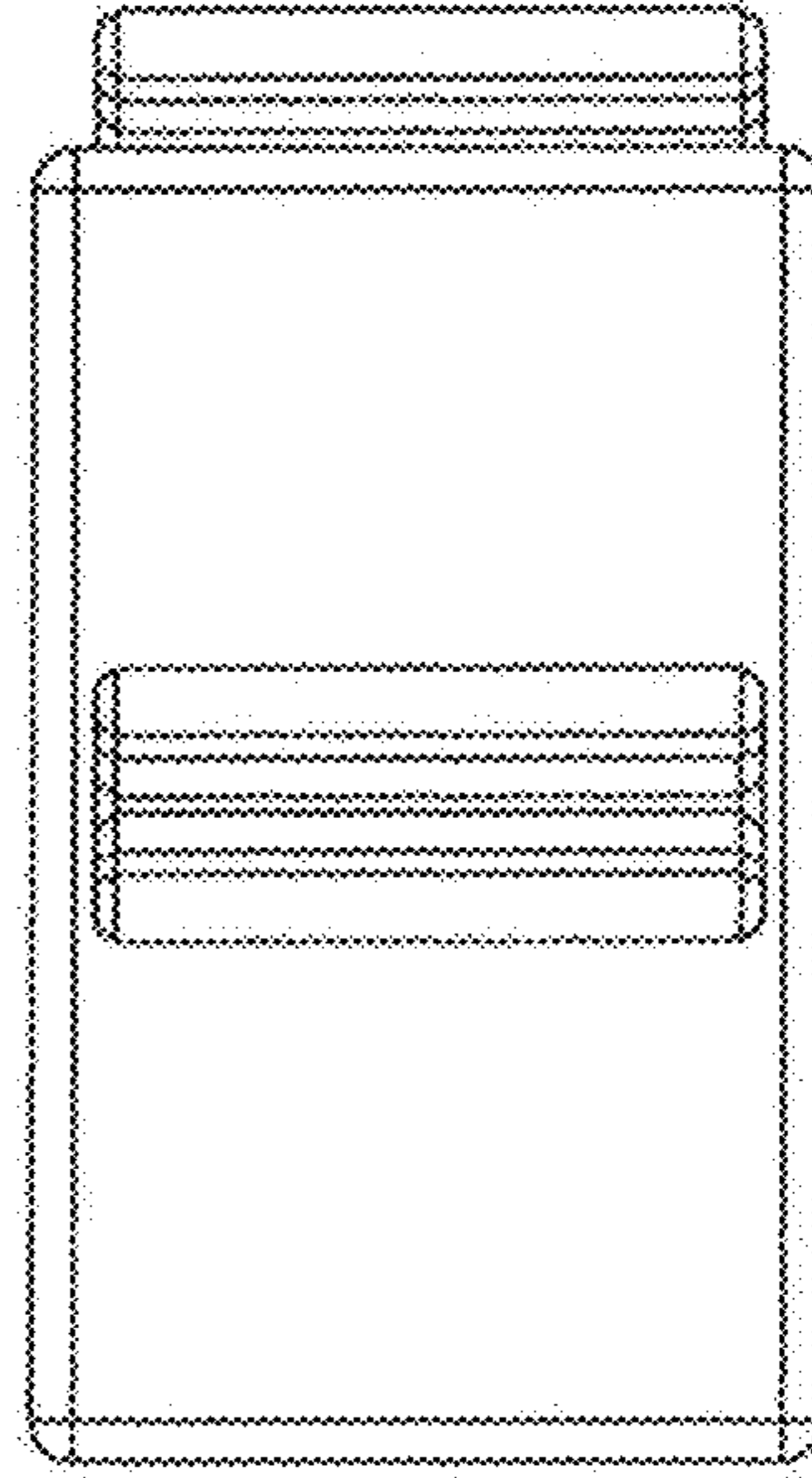


FIG. 6

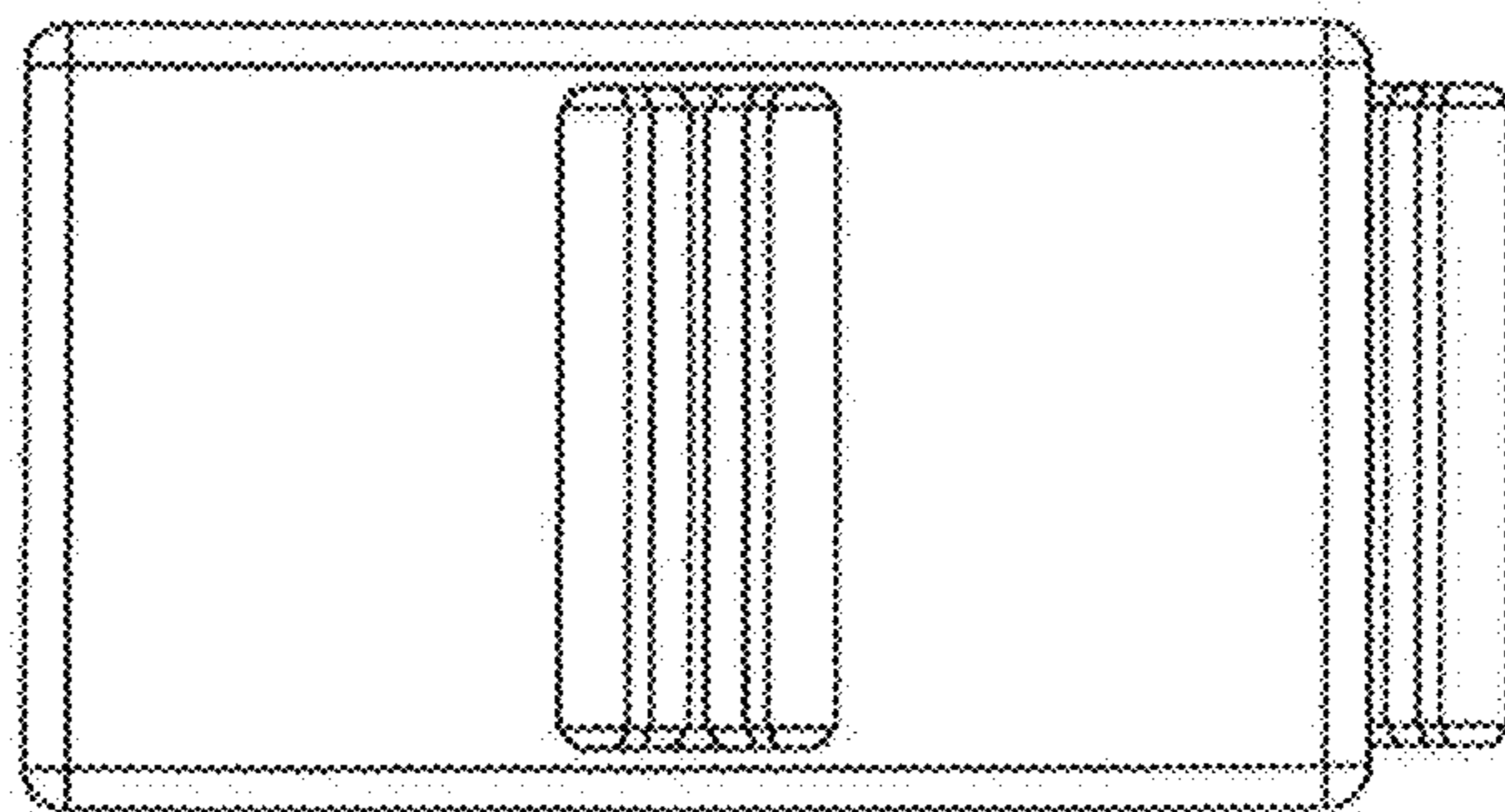


FIG. 7