



US00D740892S

(12) **United States Design Patent**
Chen

(10) **Patent No.:** **US D740,892 S**

(45) **Date of Patent:** **** Oct. 13, 2015**

(54) **UFO-SHAPED FLYING TOY**

FOREIGN PATENT DOCUMENTS

(71) Applicant: **Bo Chen**, Shantou (CN)

EM 001715772-0001 6/2010

(72) Inventor: **Bo Chen**, Shantou (CN)

* cited by examiner

(**) Term: **14 Years**

Primary Examiner — Mitchell Siegel

(21) Appl. No.: **29/483,778**

(74) *Attorney, Agent, or Firm* — Minder Law Group; Willy H. Wong

(22) Filed: **Mar. 3, 2014**

(51) **LOC (10) Cl.** **21-01**

(52) **U.S. Cl.**
USPC **D21/444**

(58) **Field of Classification Search**
USPC D21/436–455, 458–464
CPC A63H 27/12; A63H 27/14; A63H 27/04
See application file for complete search history.

(57) **CLAIM**

The ornamental design for a UFO-shaped flying toy, as shown and described.

(56) **References Cited**

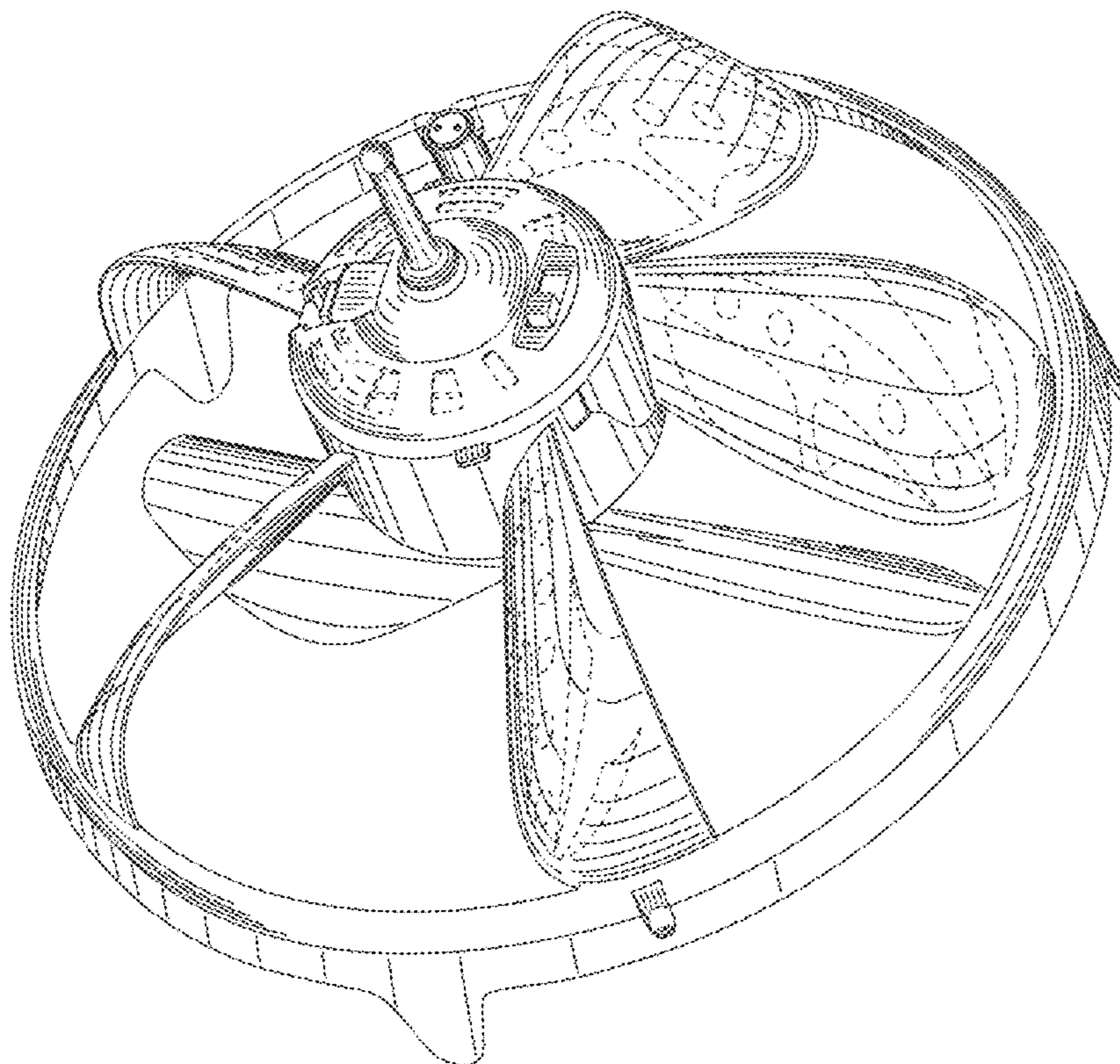
DESCRIPTION

U.S. PATENT DOCUMENTS

32,272	A *	5/1861	Benton	446/42
693,328	A *	2/1902	Morgan	446/40
D221,453	S *	8/1971	Swamberg	D21/444
3,935,663	A *	2/1976	Leibowitz	446/48
D496,695	S *	9/2004	Davis	D21/444
6,843,699	B2	1/2005	Davis	
7,255,623	B2 *	8/2007	Davis	446/36
D552,690	S *	10/2007	Shi	D21/444
D664,214	S *	7/2012	Yuen	D21/441
8,500,507	B2	8/2013	Davis et al.	

FIG. 1 is a first side view of a UFO-shaped flying toy showing my new design;
FIG. 2 is a second side view thereof;
FIG. 3 is a third side view thereof;
FIG. 4 is a fourth view thereof;
FIG. 5 is a top view thereof;
FIG. 6 is a bottom view thereof;
FIG. 7 is a first perspective view thereof; and,
FIG. 8 is a second perspective view thereof.
The broken lines are included for the purpose of illustrating the portions of the UFO-shaped flying toy that form no part of the claimed design.

1 Claim, 8 Drawing Sheets



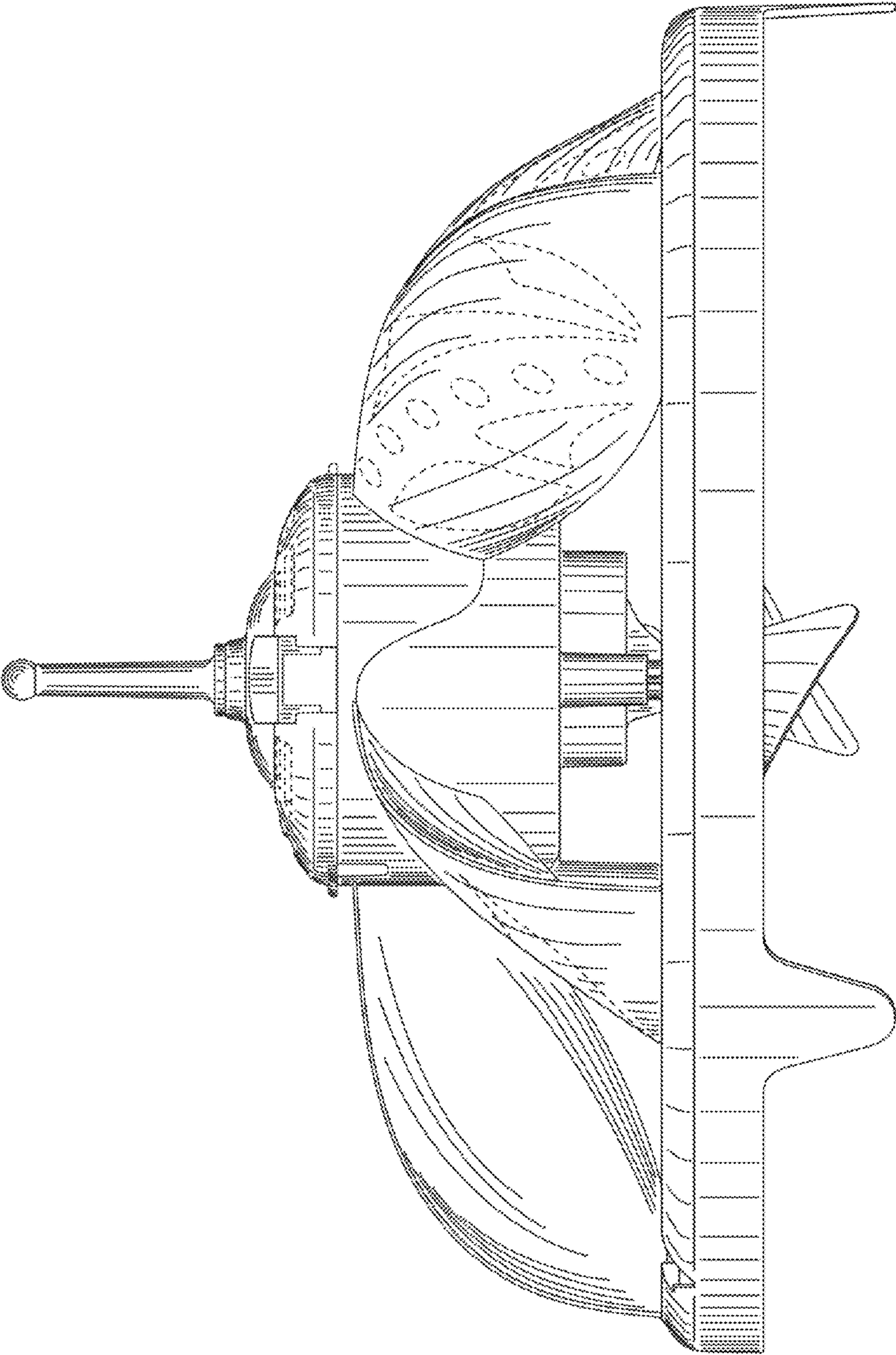


Fig. 1

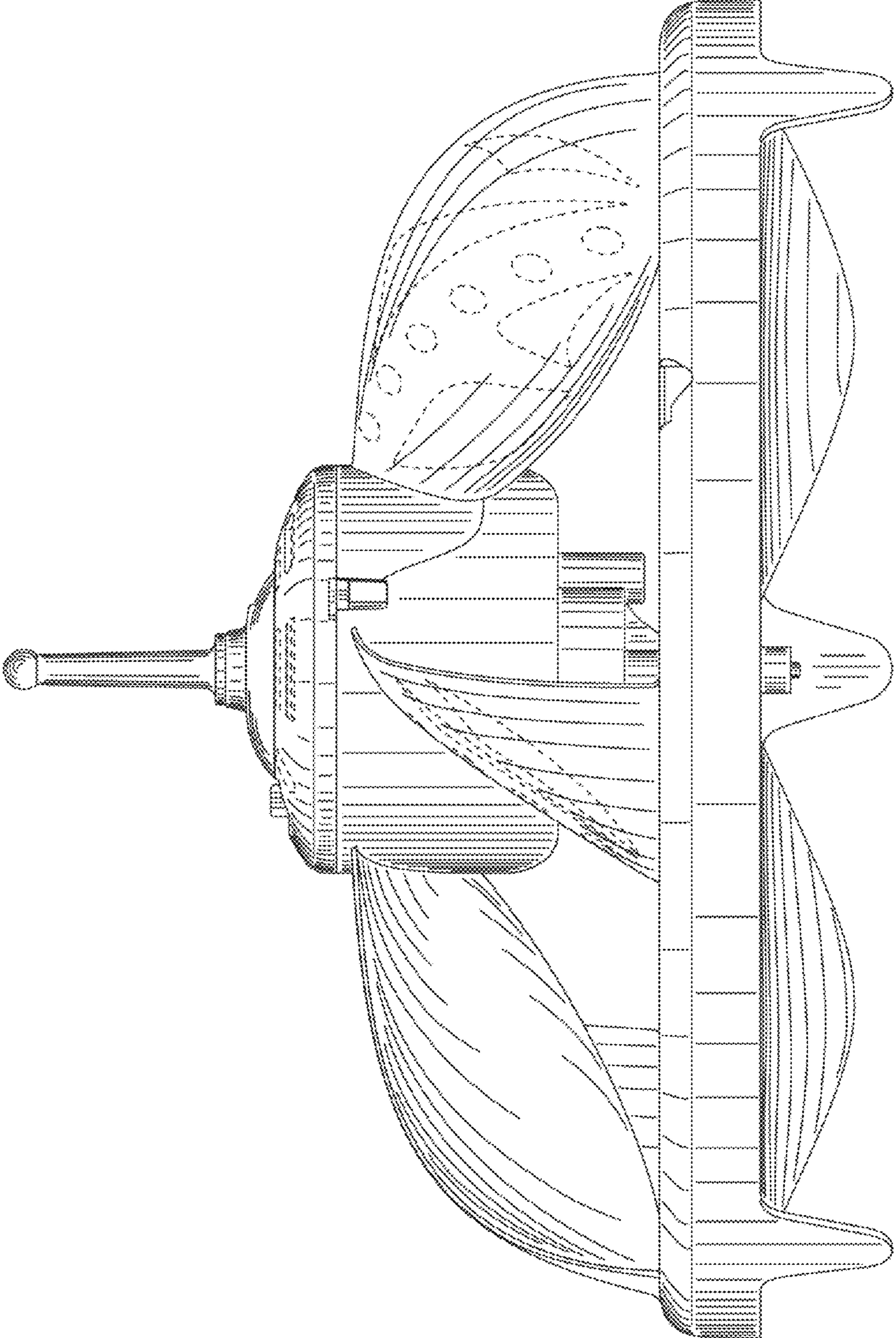


Fig. 2

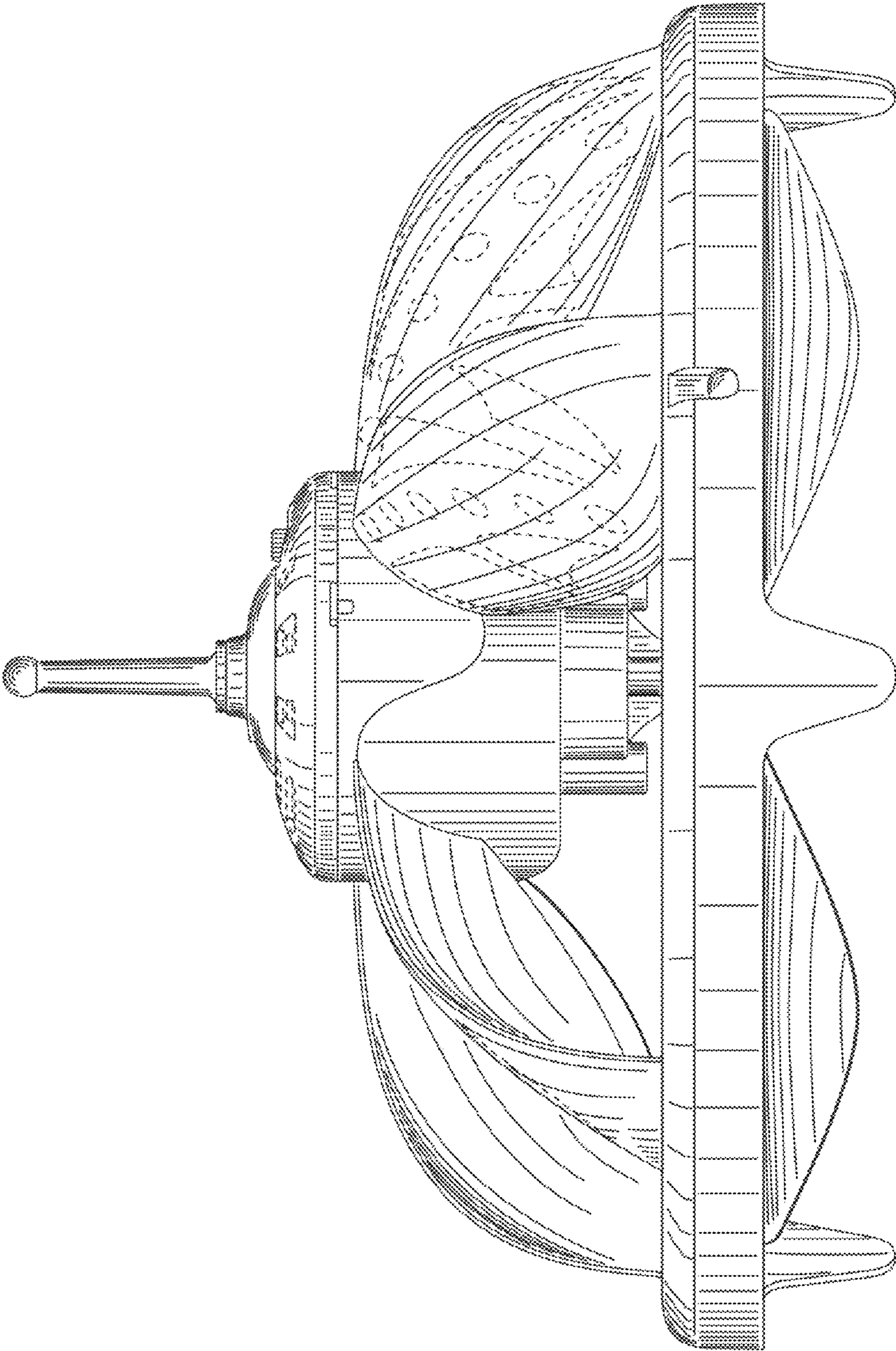


Fig. 3

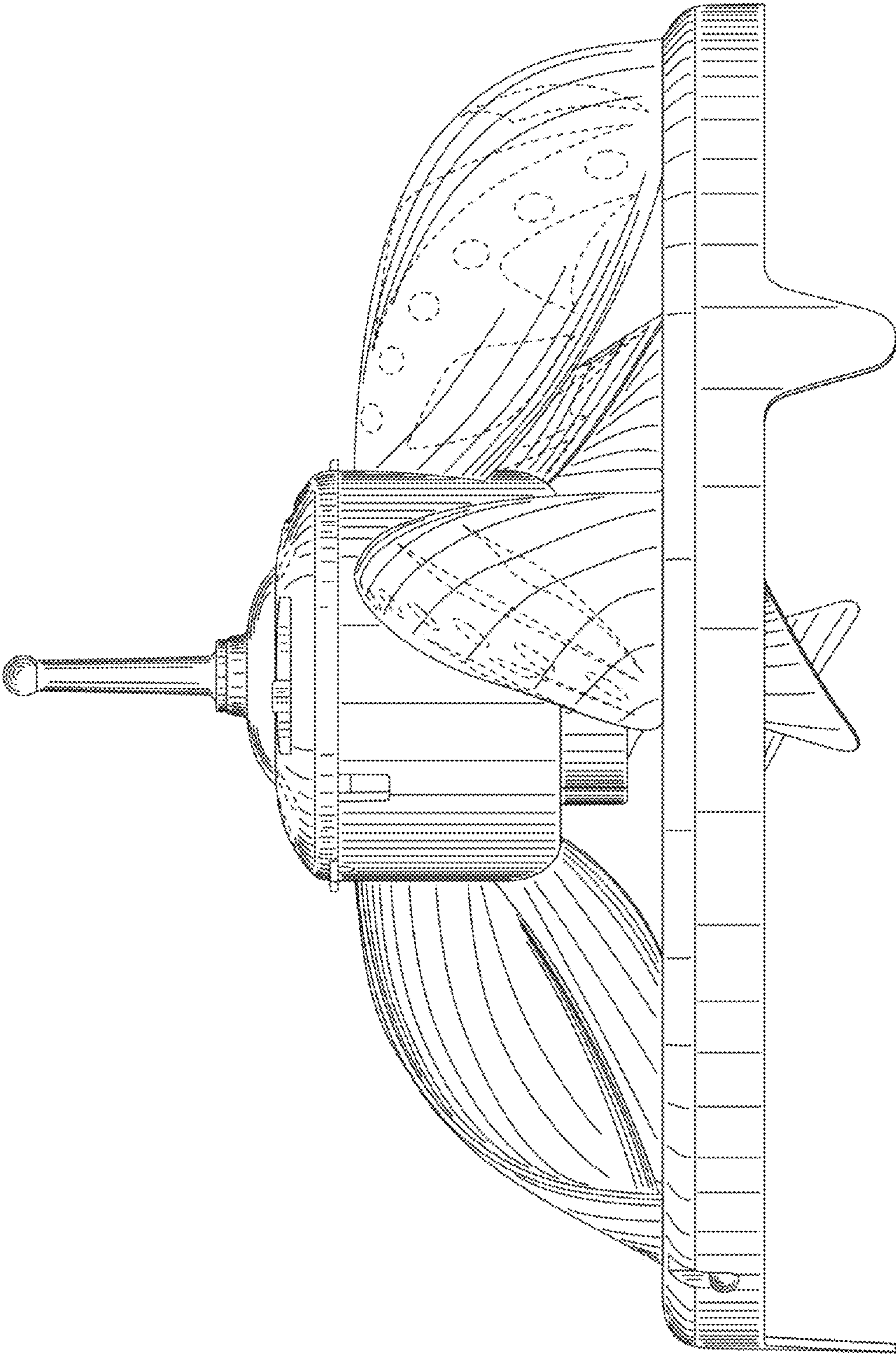


Fig. 4

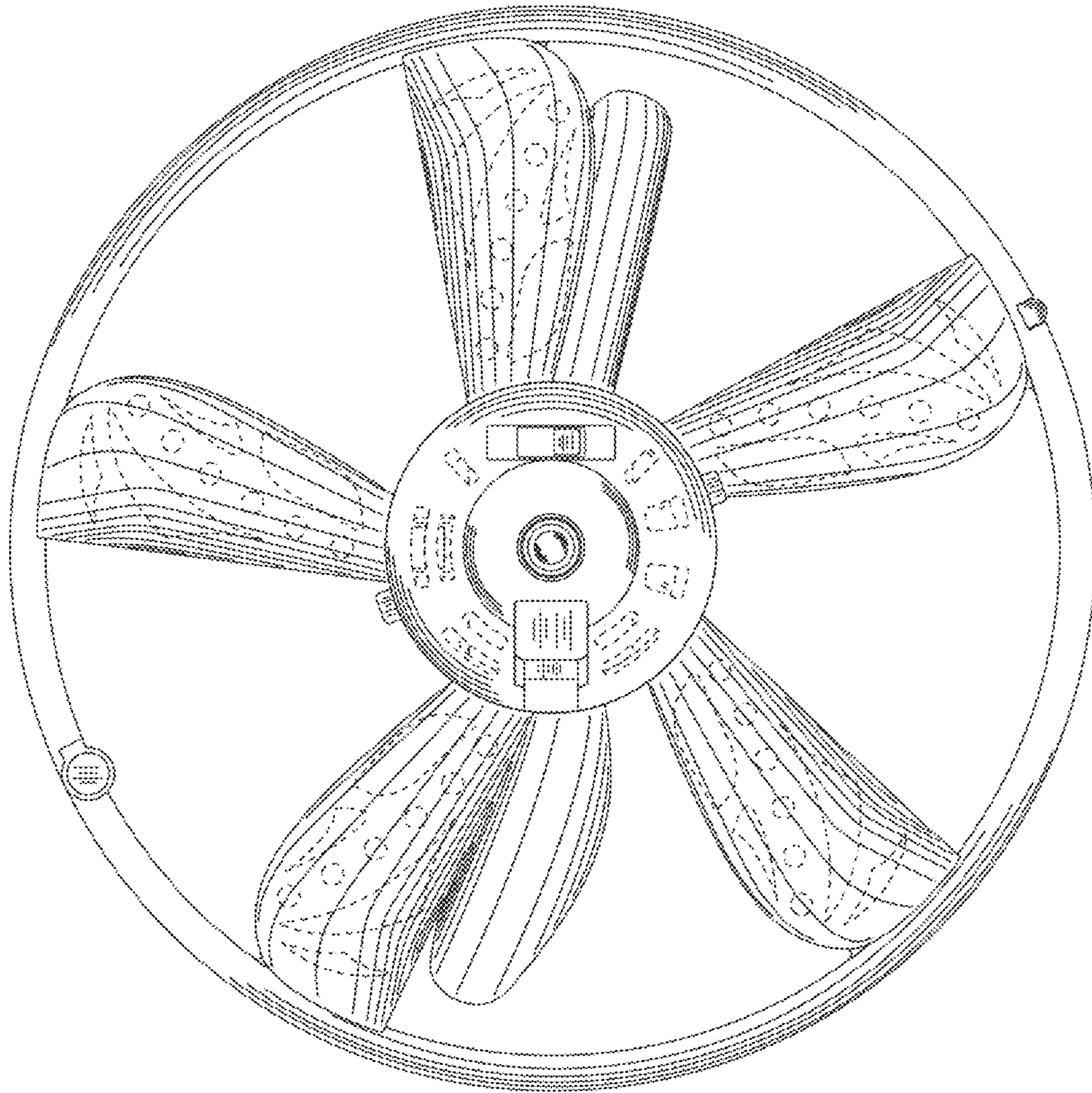


Fig. 5

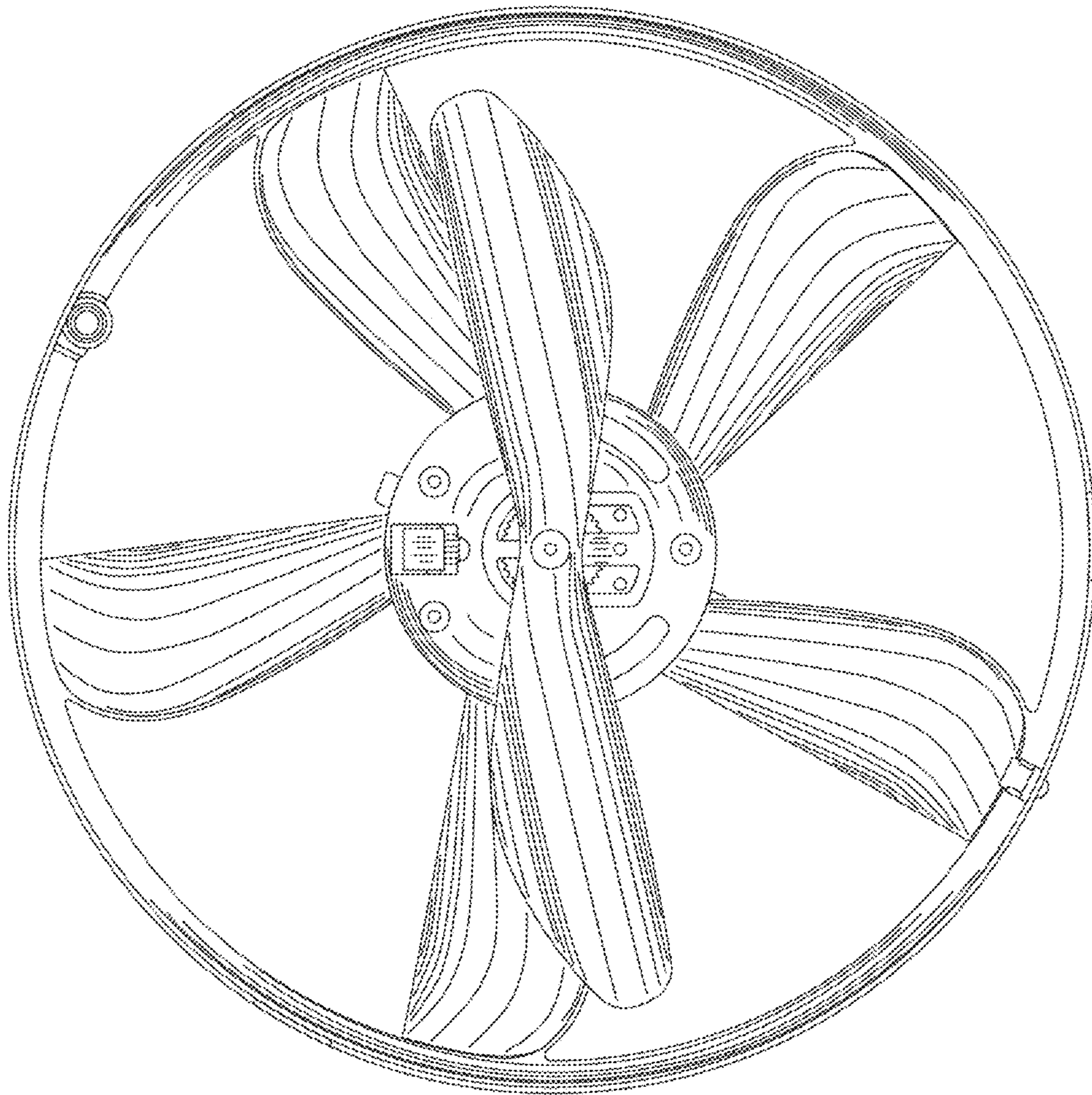


Fig. 6

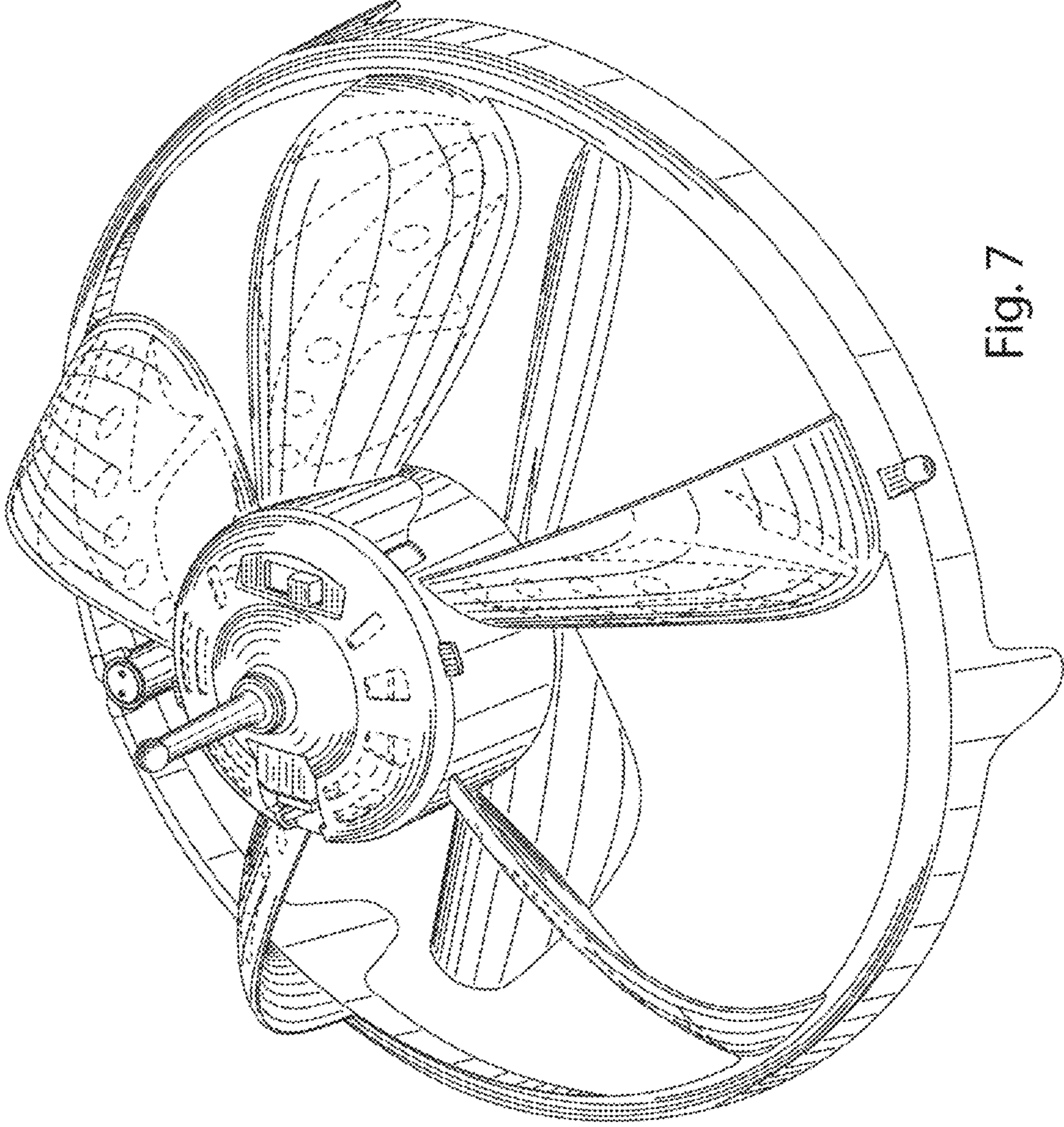


Fig. 7

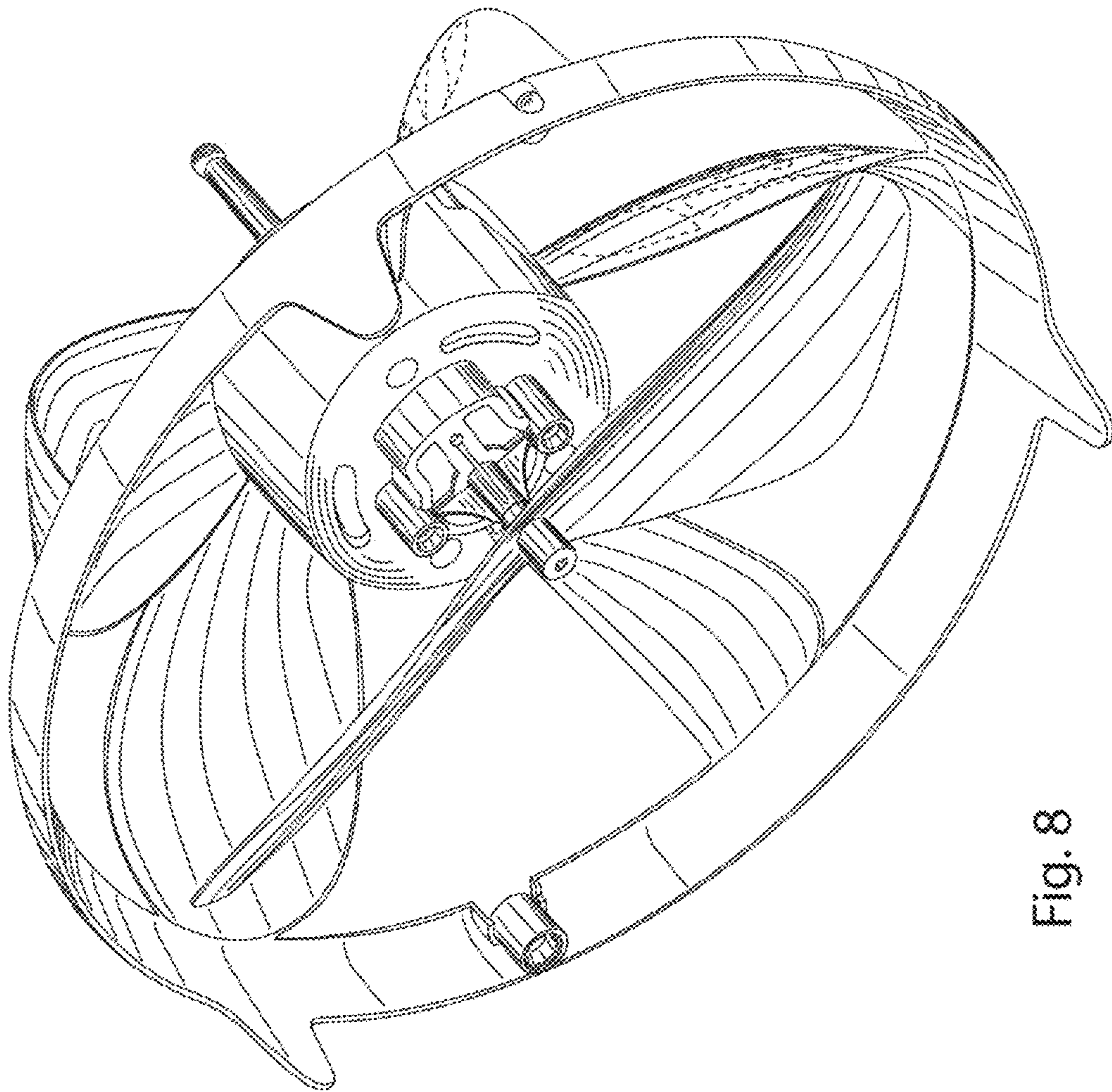


Fig. 8