



US00D740891S

(12) **United States Design Patent**
Natale

(10) **Patent No.:** **US D740,891 S**
(45) **Date of Patent:** **** Oct. 13, 2015**

(54) **SCOOTER**

(71) Applicant: **Peter Natale**, Winter Park, FL (US)

(72) Inventor: **Peter Natale**, Winter Park, FL (US)

(**) Term: **14 Years**

(21) Appl. No.: **29/475,983**

(22) Filed: **Dec. 10, 2013**

(51) **LOC (10) Cl.** **21-01**

(52) **U.S. Cl.**
USPC **D21/423; D21/435**

(58) **Field of Classification Search**
USPC D21/421, 698, 771, 788; D12/130, 133;
280/7.1, 7.17, 87.041, 87.05, 87.051;
482/66, 68, 69; 473/441, 442, 444, 445
CPC B62K 9/02; B62K 3/00; B62K 13/00;
B62K 9/00; A63H 33/00; A63H 33/30
See application file for complete search history.

(56) **References Cited**

U.S. PATENT DOCUMENTS

1,729,557 A * 9/1929 Stoll 482/68
4,526,390 A * 7/1985 Skolnik 280/87.041

5,362,272 A * 11/1994 Chow et al. 446/278
D353,566 S * 12/1994 Chow et al. D21/421
D358,791 S * 5/1995 Cacciola et al. D12/130
D391,531 S * 3/1998 Mak D12/130
6,089,586 A * 7/2000 Rudell et al. 280/87.041
D443,233 S * 6/2001 Gaudet et al. D12/130
D480,023 S * 9/2003 Hsaio D12/112

* cited by examiner

Primary Examiner — Cynthia M Chin

(74) *Attorney, Agent, or Firm* — Allen Dyer Doppelt
Milbrath & Gilchrist

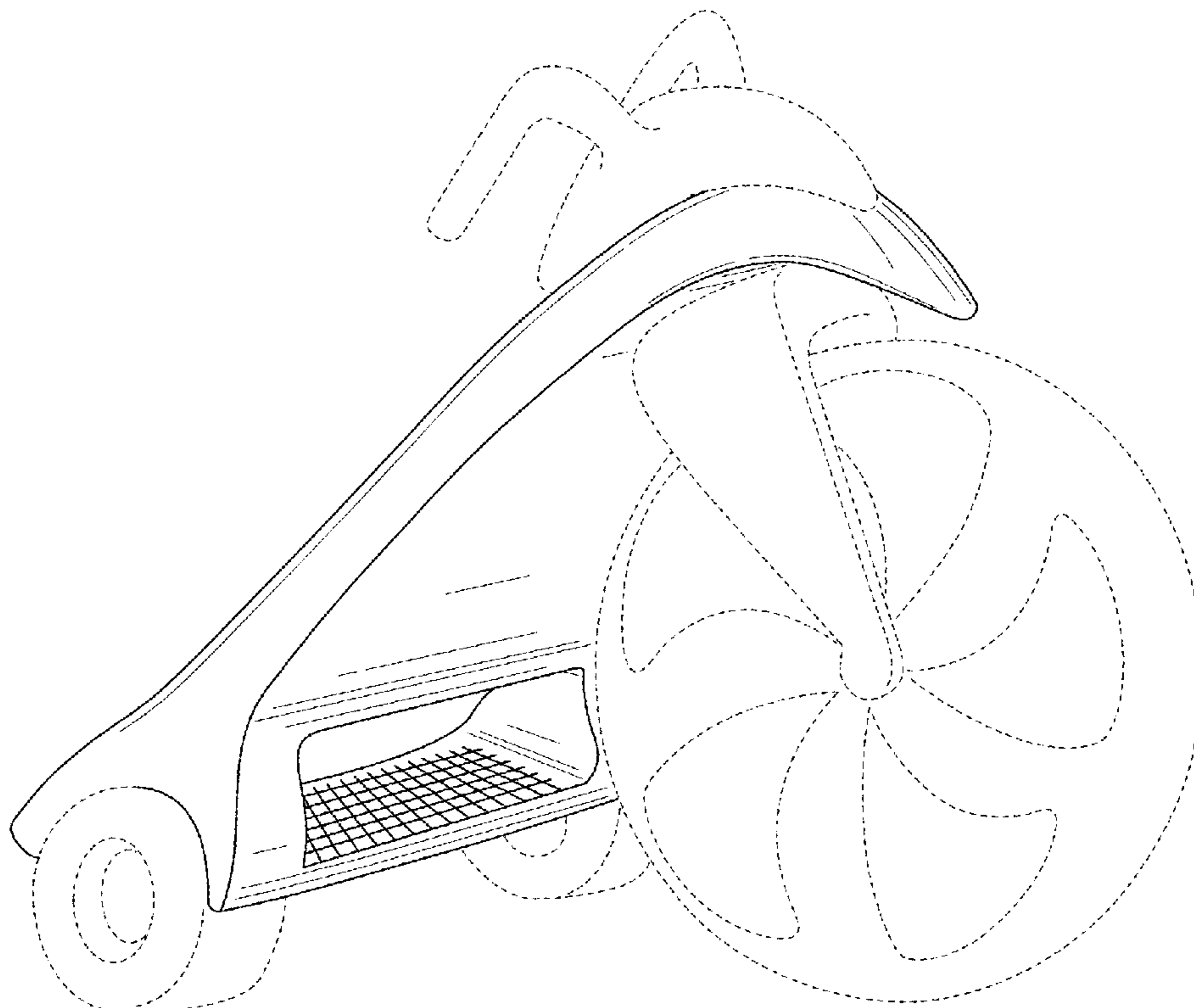
(57) **CLAIM**

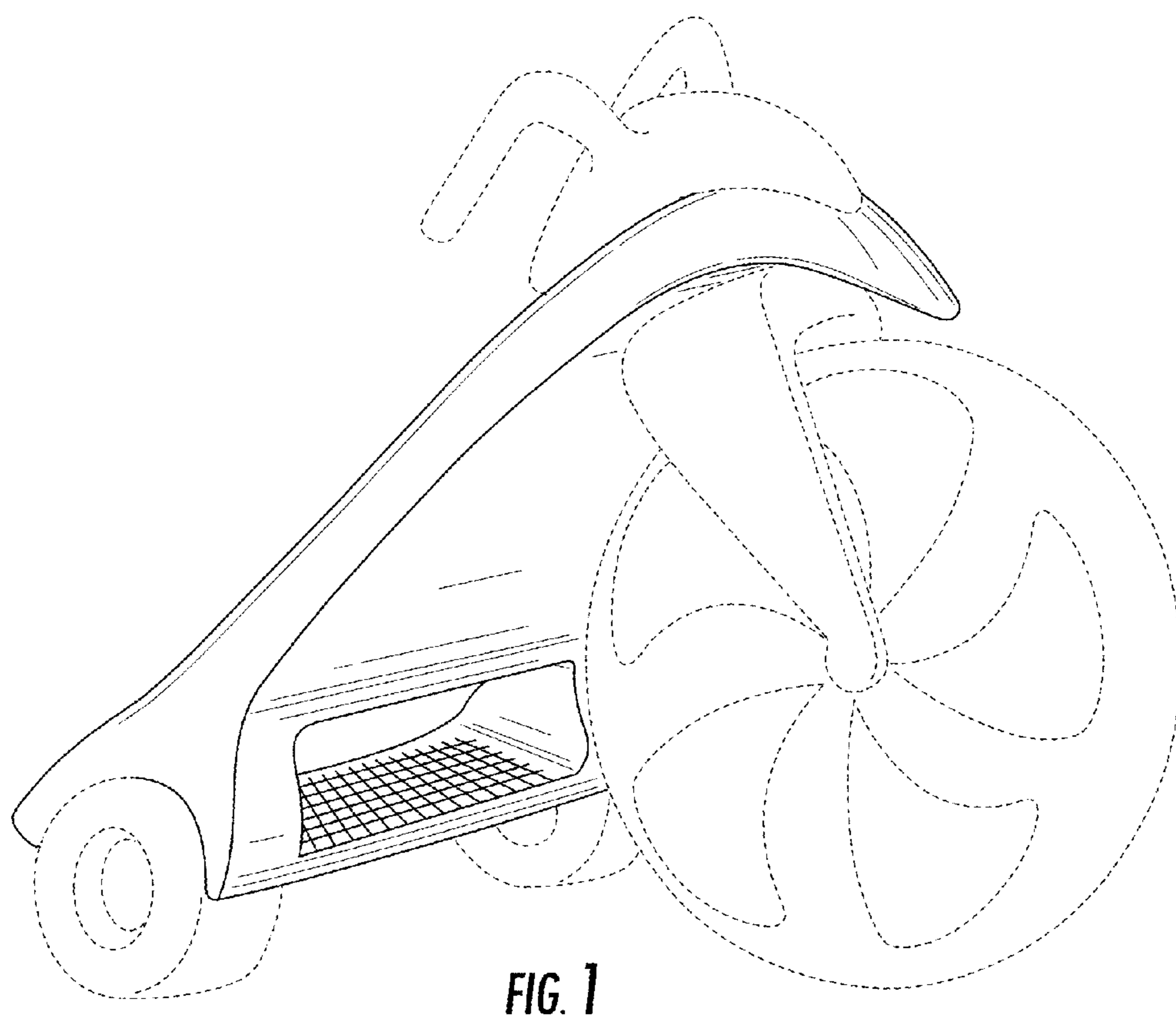
The ornamental design for a scooter, as shown and described.

DESCRIPTION

FIG. 1 is a front perspective view of my scooter design;
FIG. 2 is a front view of thereof;
FIG. 3 is a back view thereof;
FIG. 4 is a left side view thereof;
FIG. 5 is a right side view thereof;
FIG. 6 is a top view thereof; and,
FIG. 7 is a bottom view thereof.
Broken lines do not form part of the claimed design.

1 Claim, 7 Drawing Sheets





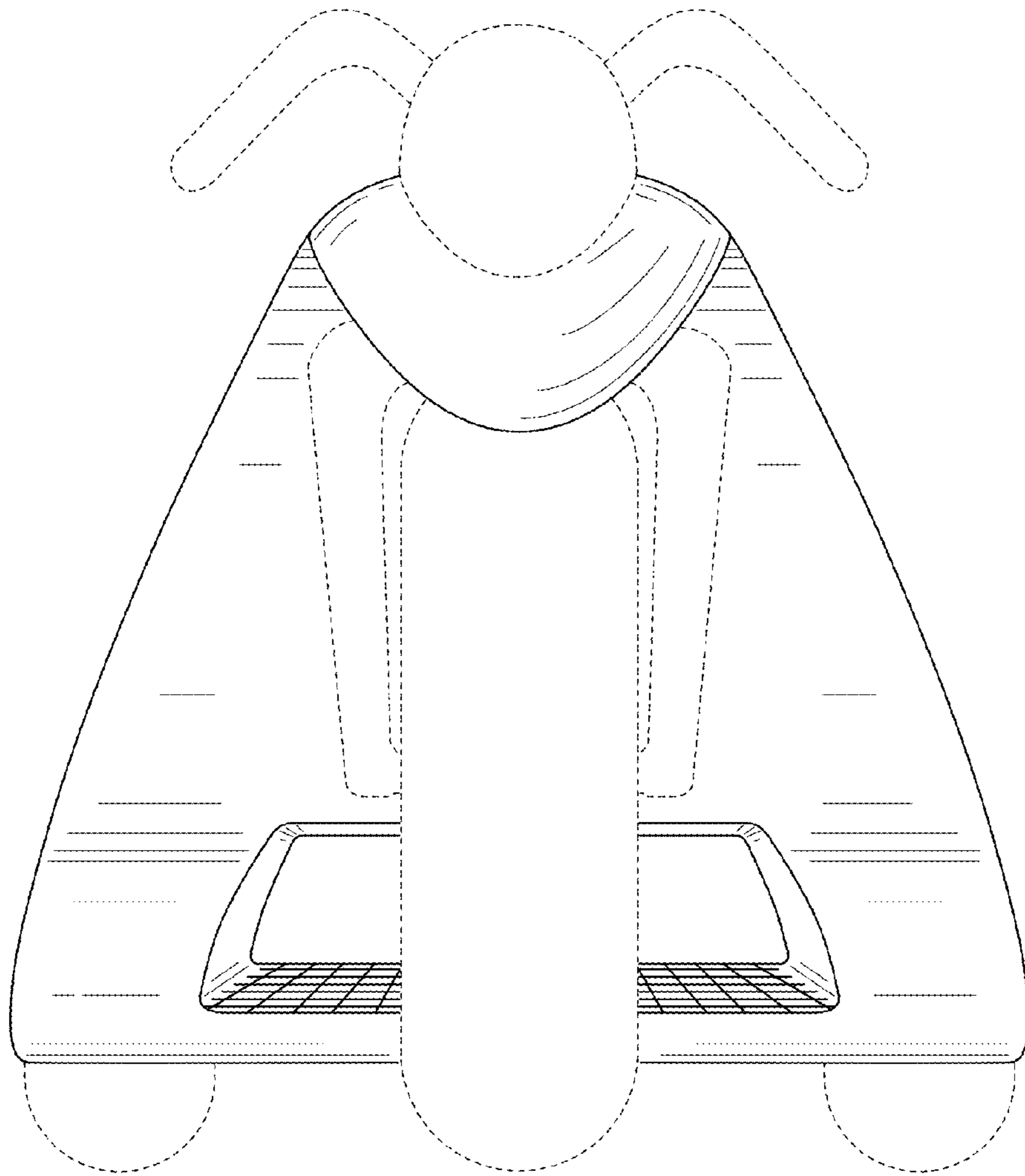


FIG. 2

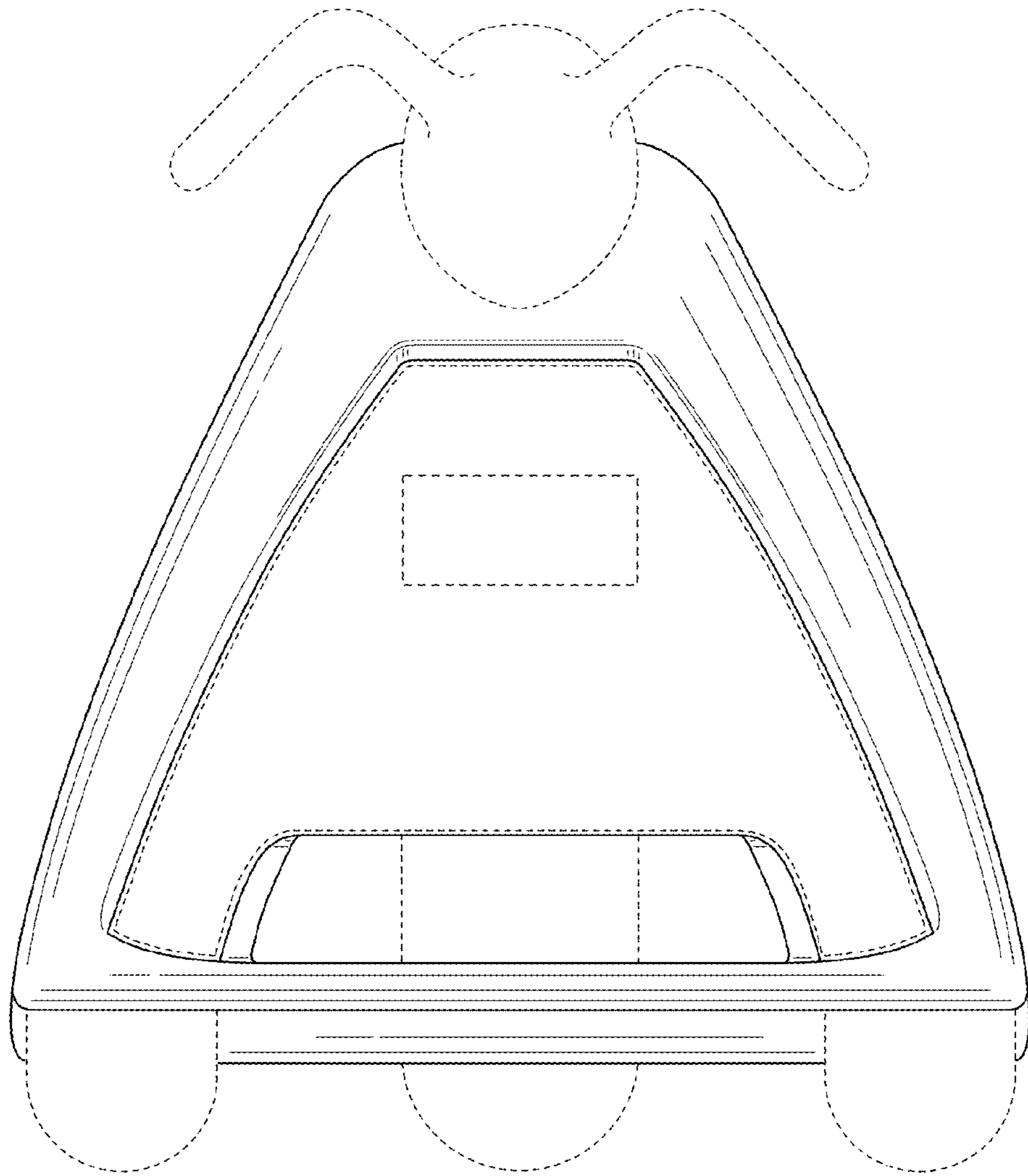


FIG. 3

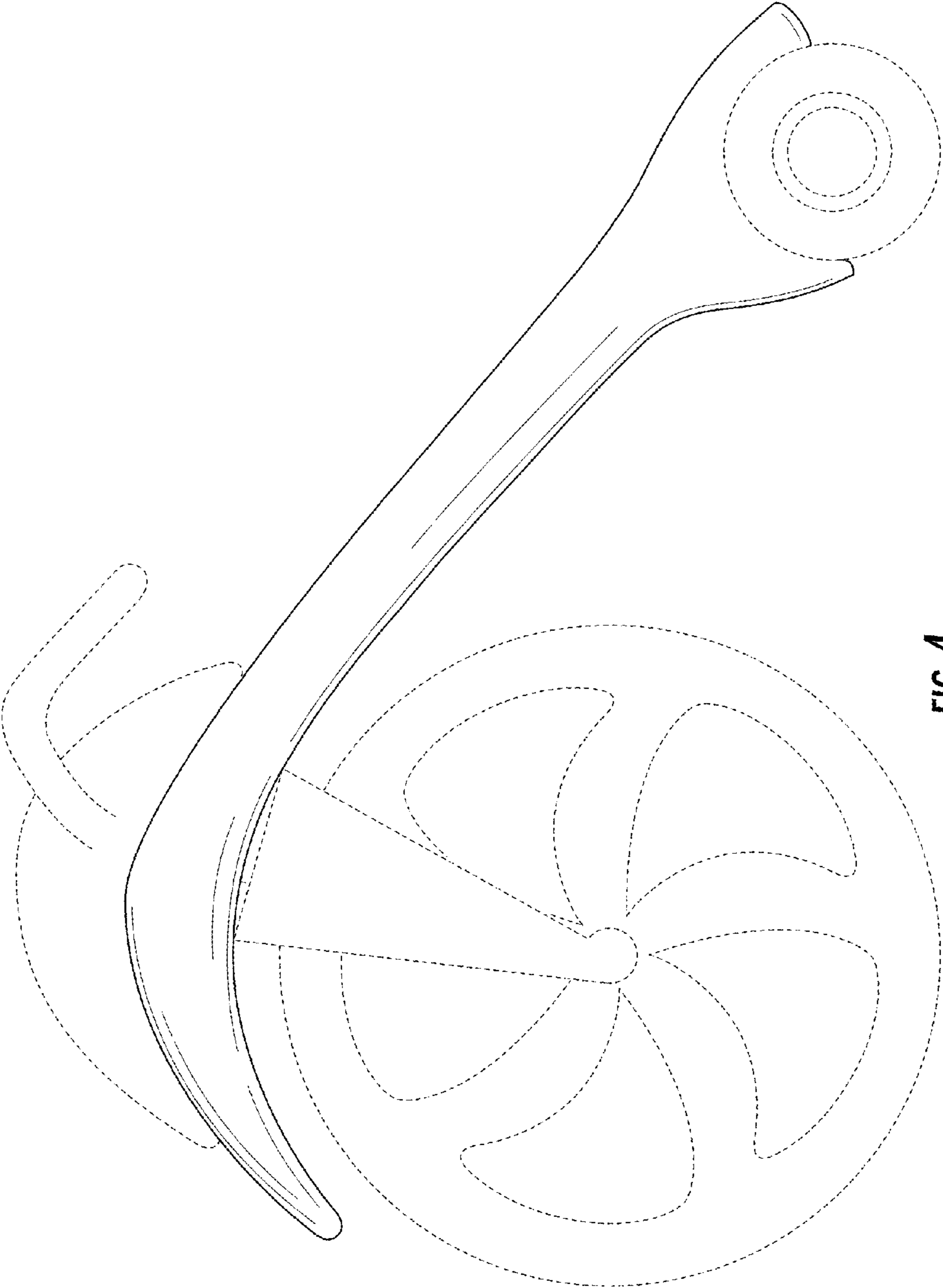


FIG. 4

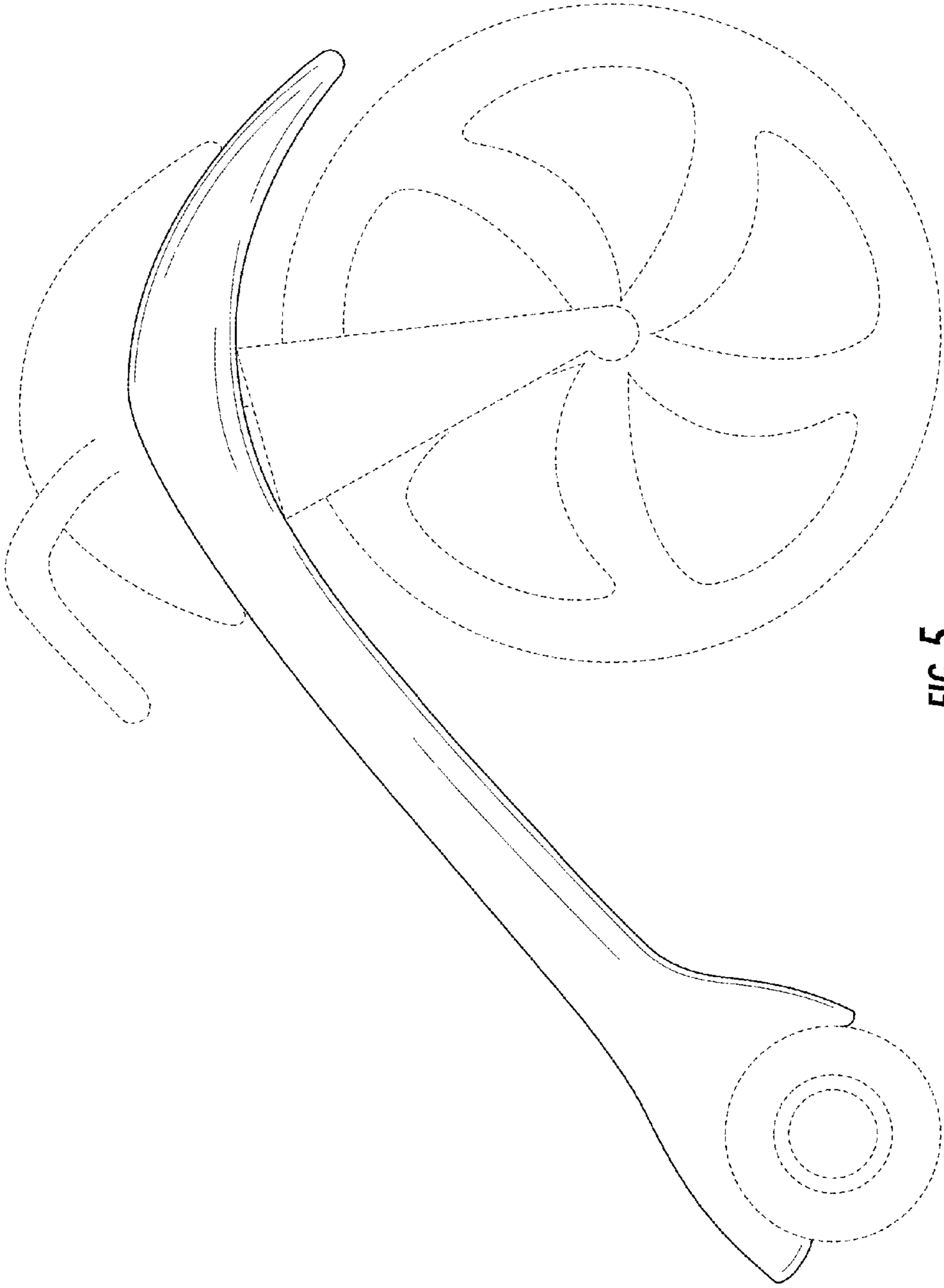


FIG. 5

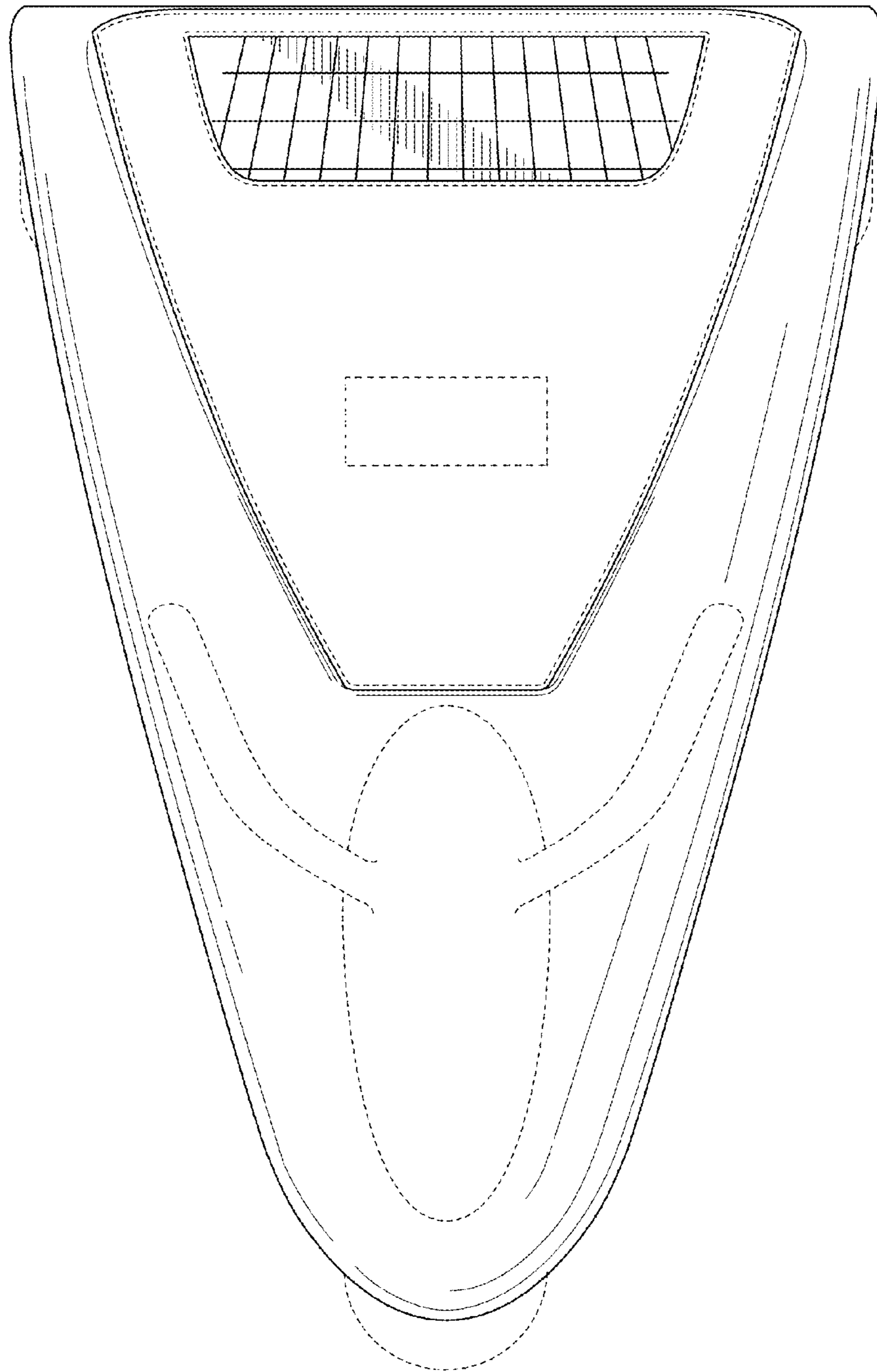


FIG. 6

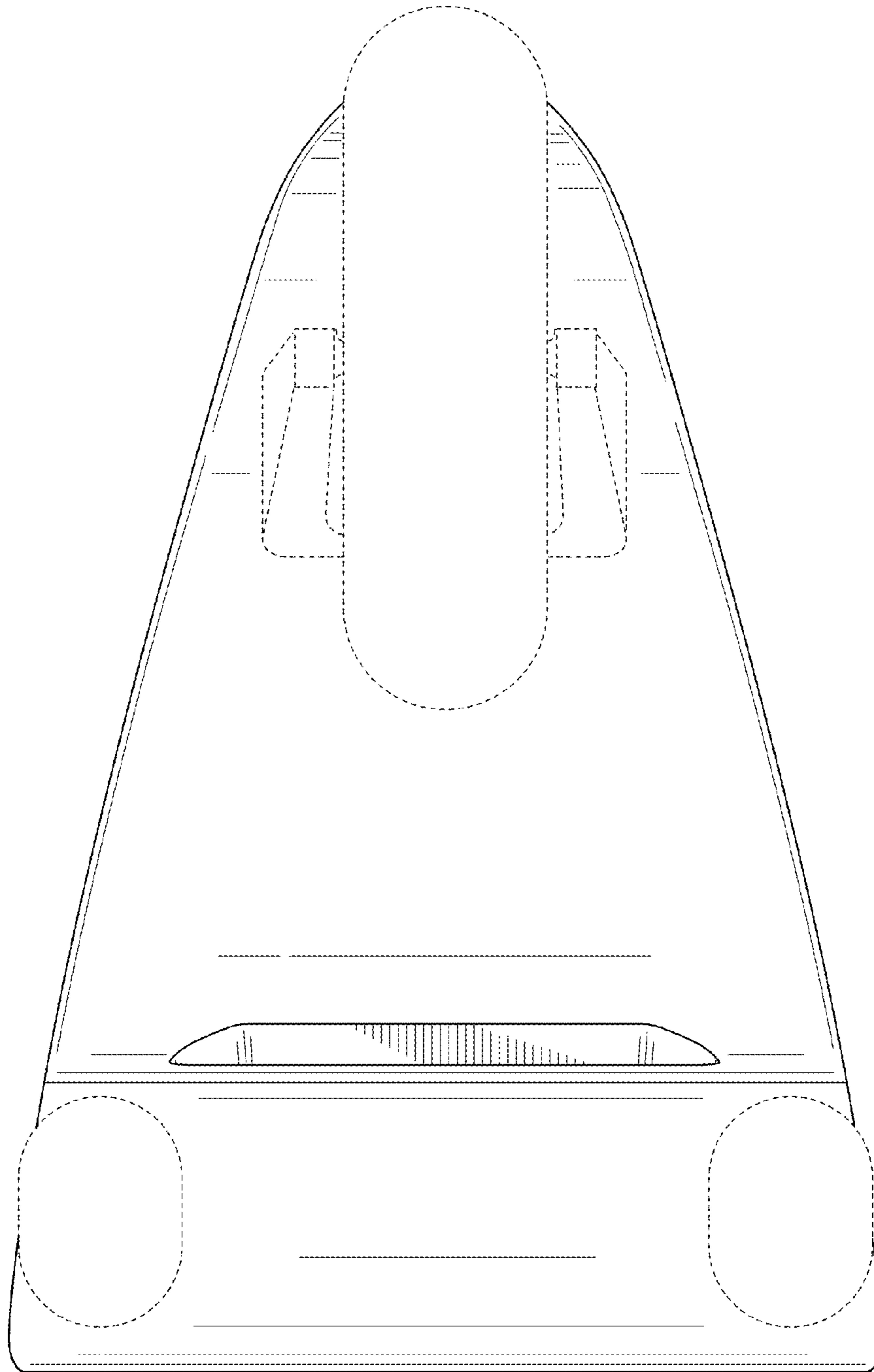


FIG. 7